



US00D653953S

(12) **United States Design Patent**
Wakeman et al.

(10) **Patent No.:** **US D653,953 S**
(45) **Date of Patent:** **** Feb. 14, 2012**

(54) **SQUEEZE BOTTLE**

(75) Inventors: **Michael Wakeman**, Boulder, CO (US);
William Stephens, Boulder, CO (US)

(73) Assignee: **Water Pik, Inc.**, Fort Collins, CO (US)

(**) Term: **14 Years**

(21) Appl. No.: **29/352,093**

(22) Filed: **Dec. 16, 2009**

(51) **LOC (9) Cl.** **09-01**

(52) **U.S. Cl.** **D9/526; D9/575**

(58) **Field of Classification Search** D9/434,
D9/435, 516, 523, 526, 530, 537, 540, 545,
D9/549, 682, 686, 688-690, 723, 724; 215/381-385,
215/355, 396-398; 220/660, 662, 669; D24/107,
D24/108, 112, 113, 115; D28/7, 73

See application file for complete search history.

(56) **References Cited**

U.S. PATENT DOCUMENTS

465,559	A	12/1891	Good	
2,115,959	A	5/1938	Lewis	
2,571,921	A	10/1951	Morris	
2,578,864	A	12/1951	Tupper	
D169,996	S	7/1953	Vuillement	
2,722,458	A	11/1955	Wahlin	
2,811,283	A	10/1957	Bowen	
2,987,261	A *	6/1961	McCuiston et al.	239/304
3,363,808	A	1/1968	Gorman	
3,455,294	A	7/1969	Adler et al.	
3,847,145	A	11/1974	Grossan	
4,083,840	A	4/1978	Schoefberger	
D250,546	S	12/1978	Pick et al.	

(Continued)

FOREIGN PATENT DOCUMENTS

DE 29602605 4/1996

(Continued)

OTHER PUBLICATIONS

Author Unknown, "NasaFlo Neti Pot," <http://www.neilmed.com/usa/nasaflo.php>, 1 page, at least as early as Dec. 9, 2009.

(Continued)

Primary Examiner — Stella Reid

Assistant Examiner — Keli L Hill

(74) *Attorney, Agent, or Firm* — Dorsey & Whitney LLP

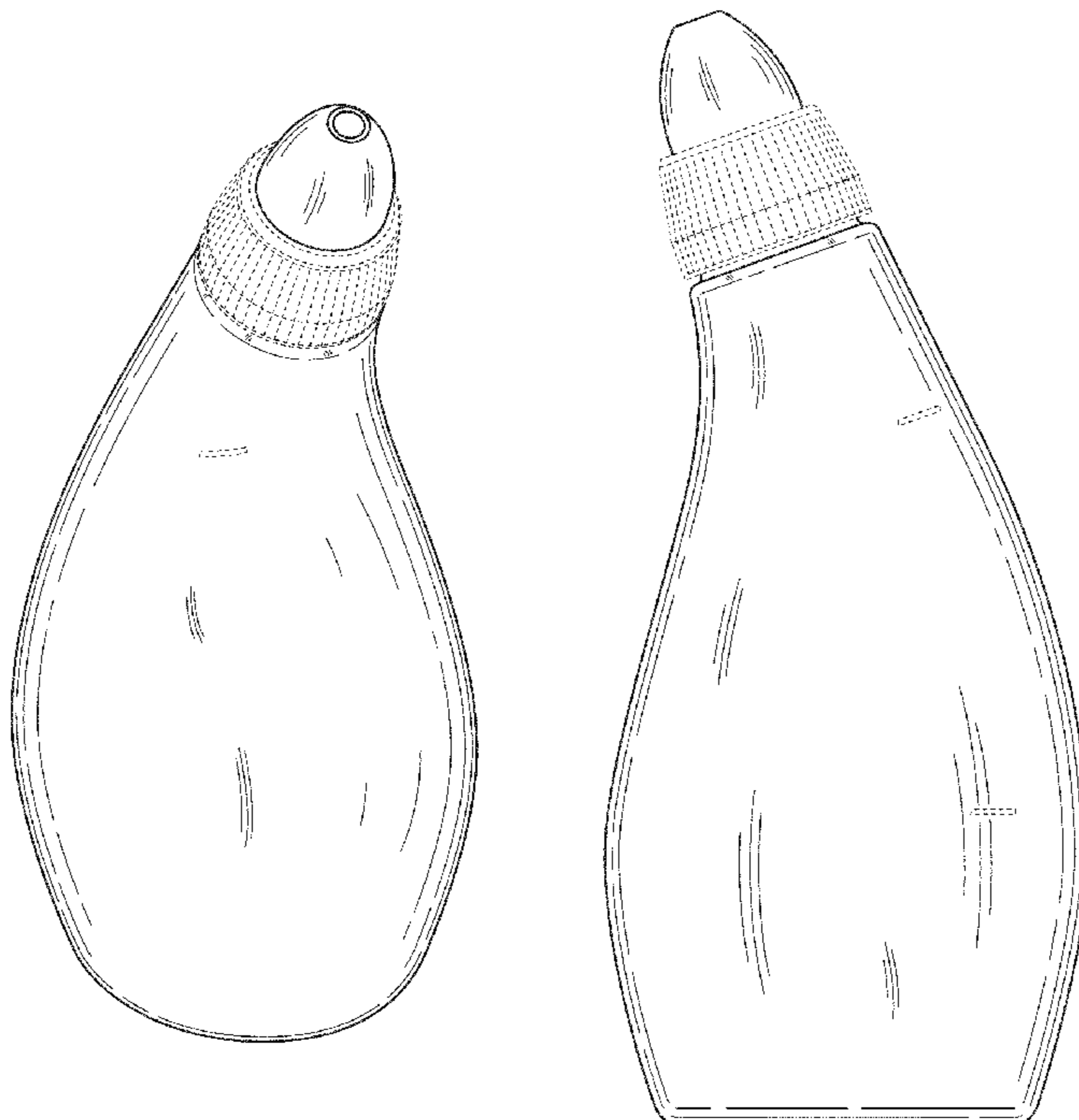
(57) **CLAIM**

The ornamental design for a squeeze bottle, as shown and described.

DESCRIPTION

FIG. 1 is a front isometric view of a squeeze bottle; FIG. 2 is a right elevation view of the squeeze bottle of FIG. 1; FIG. 3 is a left elevation view of the squeeze bottle of FIG. 1; FIG. 4 is a front elevation view of the squeeze bottle of FIG. 1; FIG. 5 is a rear elevation view of the squeeze bottle of FIG. 1; FIG. 6 is a top plan view of the squeeze bottle of FIG. 1; and, FIG. 7 is a bottom plan view of the squeeze bottle of FIG. 1. The broken lines seen on the FIG. 7 bottom view represent the bounds of the claimed design while all other broken lines are included for the purpose of illustrating the unclaimed portions of the article; the broken lines form no part of the claimed design.

1 Claim, 6 Drawing Sheets



US D653,953 S

Page 2

U.S. PATENT DOCUMENTS

D250,601	S	12/1978	Pick et al.	
4,179,051	A	12/1979	Thomas	
4,356,941	A	11/1982	McRoskey et al.	
D271,028	S	10/1983	Adams	
4,439,206	A	3/1984	Hildebrand et al.	
4,489,535	A	12/1984	Veltman	
4,513,891	A	4/1985	Hain et al.	
4,526,797	A	7/1985	Stone, Jr.	
4,555,469	A	11/1985	Erdmann et al.	
D305,262	S	12/1989	Nichols	
4,925,128	A	5/1990	Brody	
D314,702	S	2/1991	Gonzalez	
D317,940	S	7/1991	Brenner	
5,301,846	A	4/1994	Schmitz	
5,316,054	A	5/1994	Hall et al.	
5,330,634	A	7/1994	Wong et al.	
5,354,849	A	10/1994	Schoefberger	
5,611,376	A	3/1997	Chuang	
5,655,686	A	8/1997	Jermyn	
D390,744	S	2/1998	Otero	
5,806,723	A	9/1998	DuBose	
D405,525	S	2/1999	Barrett et al.	
5,897,872	A	4/1999	Picciano	
5,899,878	A	5/1999	Glassman	
5,967,377	A	10/1999	Glynn	
6,006,952	A	12/1999	Lucas	
6,035,769	A	3/2000	Nomura et al.	
D424,197	S	5/2000	Sydrowski et al.	
D426,300	S	6/2000	Conforti	
6,135,358	A	10/2000	Ballini	
6,238,377	B1	5/2001	Liu	
6,241,705	B1	6/2001	Ko-Wen	
6,293,436	B2	9/2001	Faughnder et al.	
6,520,384	B2	2/2003	Mehta	
6,540,718	B1	4/2003	Wennek	
6,558,344	B2	5/2003	McKinnon et al.	
D481,794	S	11/2003	Krinsky	
6,669,059	B2	12/2003	Mehta	
D486,066	S *	2/2004	Hannen et al.	D9/523
6,688,497	B2	2/2004	Mehta	
6,736,792	B1	5/2004	Liu	
D490,896	S	6/2004	Bogazzi	
D493,888	S	8/2004	Reschke	
D495,954	S	9/2004	Solomon	
D497,107	S	10/2004	Hama et al.	
6,814,259	B1	11/2004	Foster et al.	
6,907,879	B2	6/2005	Drinan et al.	
D530,815	S	10/2006	Murphy et al.	
D538,474	S	3/2007	Sheppard et al.	
D548,334	S	8/2007	Izumi	

D550,097	S	9/2007	Lepoitevin	
7,306,121	B2	12/2007	Ophardt et al.	
D558,509	S	1/2008	Bodum	
D558,510	S	1/2008	Bodum	
D562,404	S	2/2008	Jansen et al.	
D584,151	S	1/2009	Murphy	
7,500,584	B2	3/2009	Shutz	
D590,493	S	4/2009	Harlan et al.	
D601,697	S	10/2009	Sobiech et al.	
D603,708	S	11/2009	Handy	
D608,645	S	1/2010	Handy et al.	
D612,736	S *	3/2010	Pecora	D9/522
D613,601	S *	4/2010	Yoneda	D9/503
7,703,696	B2	4/2010	Eddins et al.	
D627,458	S	11/2010	Bisson et al.	
D629,884	S	12/2010	Stephens	
D630,314	S	1/2011	Stephens	
7,862,536	B2	1/2011	Chen et al.	
D634,213	S *	3/2011	Thompson	D9/691
D634,630	S *	3/2011	Taylor	D9/447
D634,631	S *	3/2011	Taylor	D9/447
7,959,597	B2	6/2011	Baker et al.	
2003/0062367	A1	4/2003	Robinson et al.	
2008/0294124	A1	11/2008	Mehta	
2009/0234325	A1	9/2009	Rozenberg et al.	
2009/0281454	A1	11/2009	Baker et al.	

FOREIGN PATENT DOCUMENTS

GB	881807	10/1958
WO	WO9629044	9/1996
WO	WO2005/000477	1/2005

OTHER PUBLICATIONS

Author Unknown, "SinuFlo Ready Rinse," <http://www.neilmed.com/usa/sinuflo.php>, 1 page, at least as early as Dec. 9, 2009.

Author Unknown, "Sinus Rinse Nasal Wash," <http://www.neilmed.com/usa/sinusrinse.php>, 3 pages, at least as early as Dec. 9, 2009.

Papsin et al., "Saline Nasal Irrigation," *Canadian Family Physician*, vol. 49, pp. 168-173, Feb. 2003.

Rabago et al., "Efficacy of Daily Hypertonic Saline Nasal Irrigation Among Patients with Sinusitis: A Randomized Controlled Trial," *The Journal of Family Practice*, vol. 51, No. 12, pp. 1049-1055, Dec. 2002.

Schumann et al., "Patients Insist on Antibiotics for Sinusitis? Here is a Good Reason to Say 'No'," *The Journal of Family Practice*, vol. 57, No. 7, pp. 464-468, Jul. 2008.

* cited by examiner

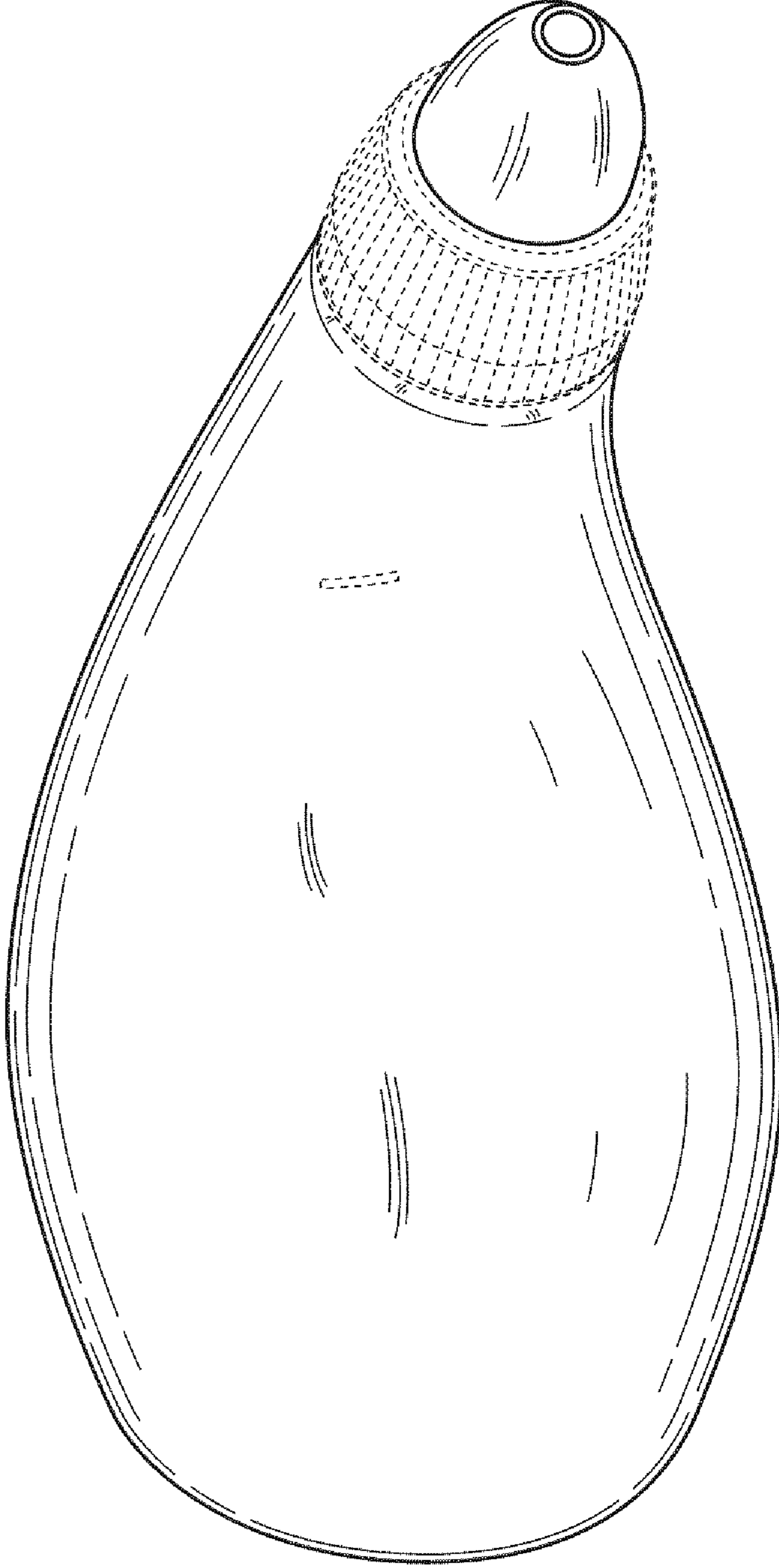


FIG. 1

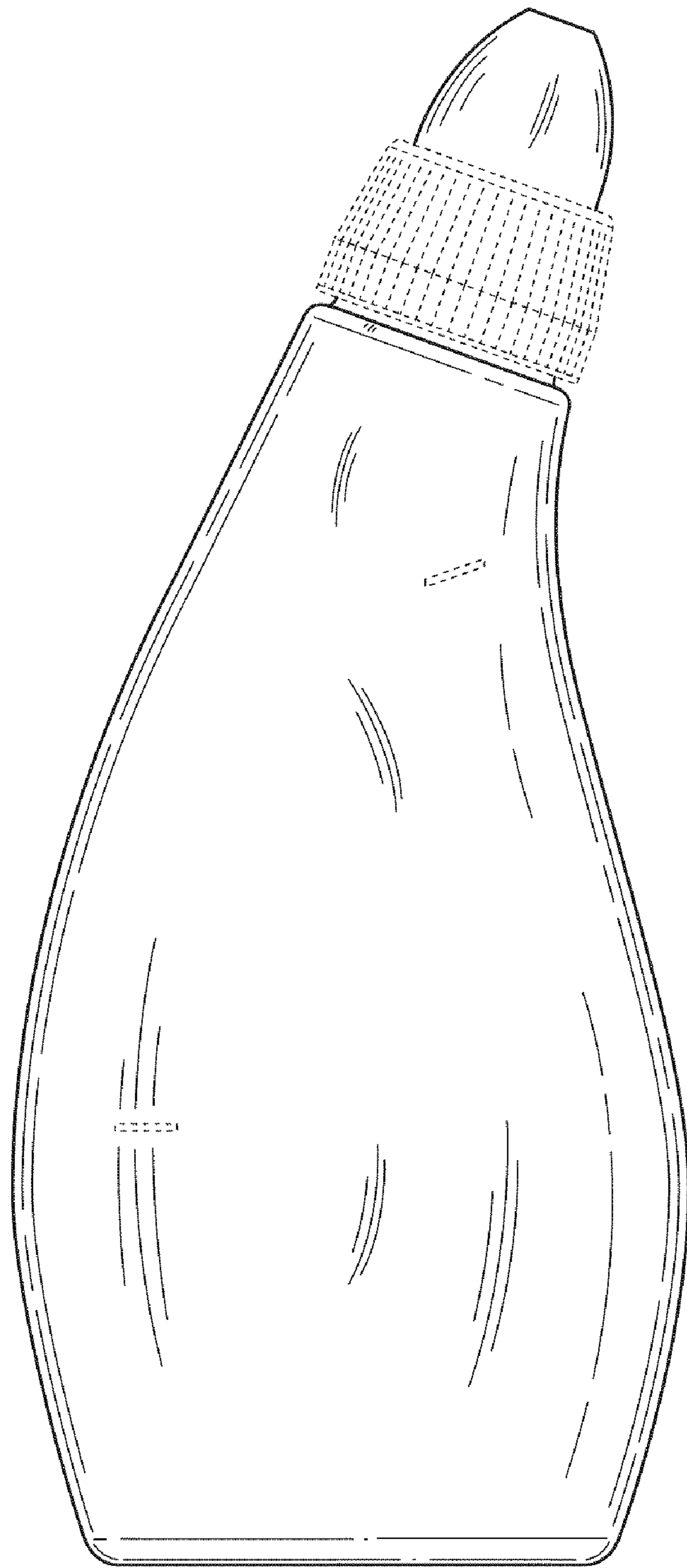


FIG.2

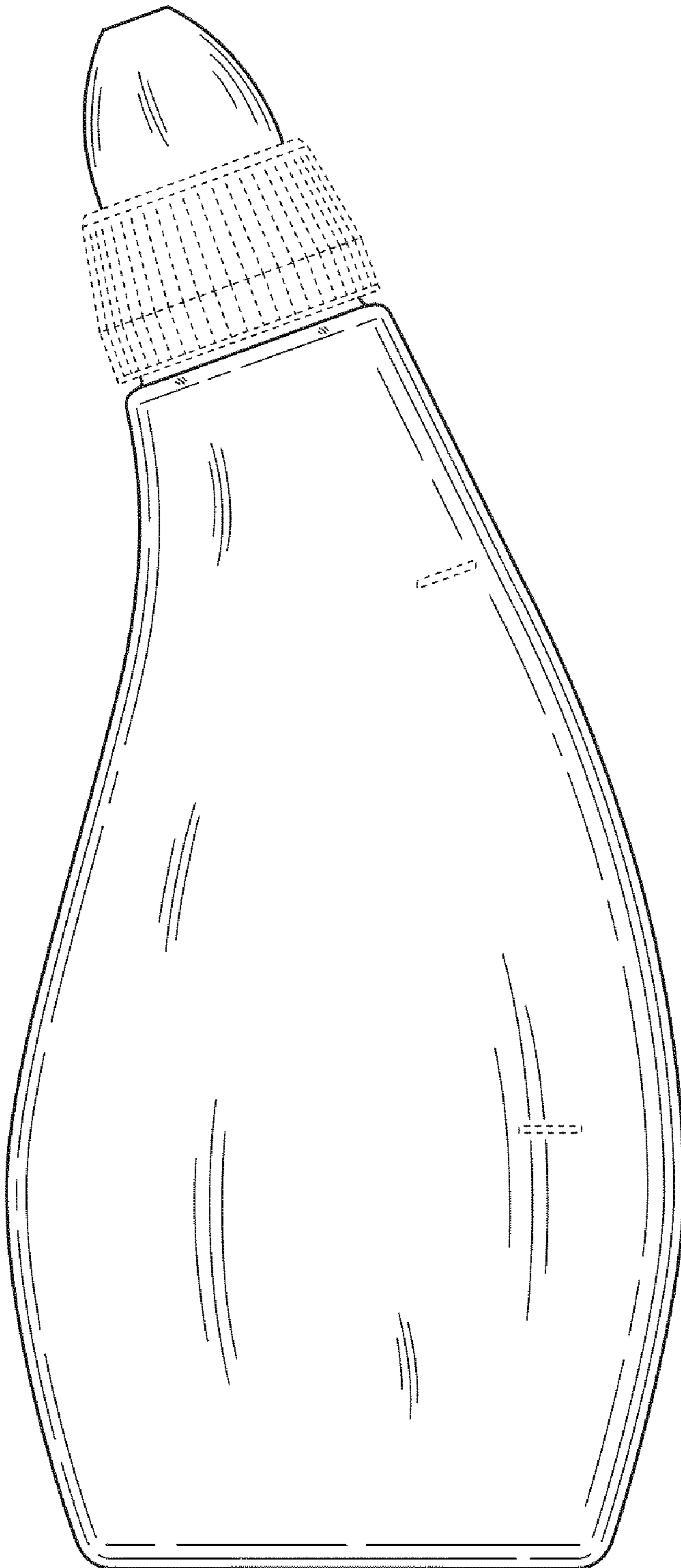


FIG. 3

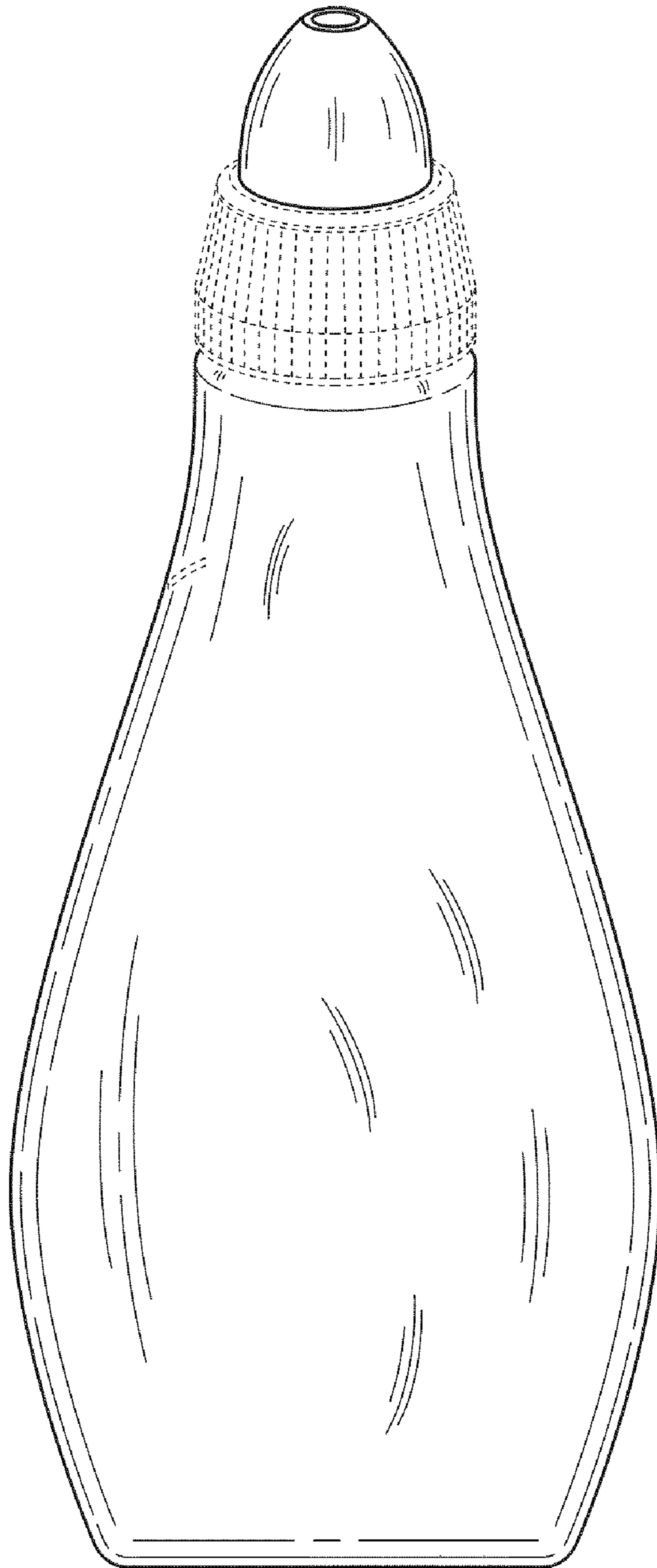


FIG.4

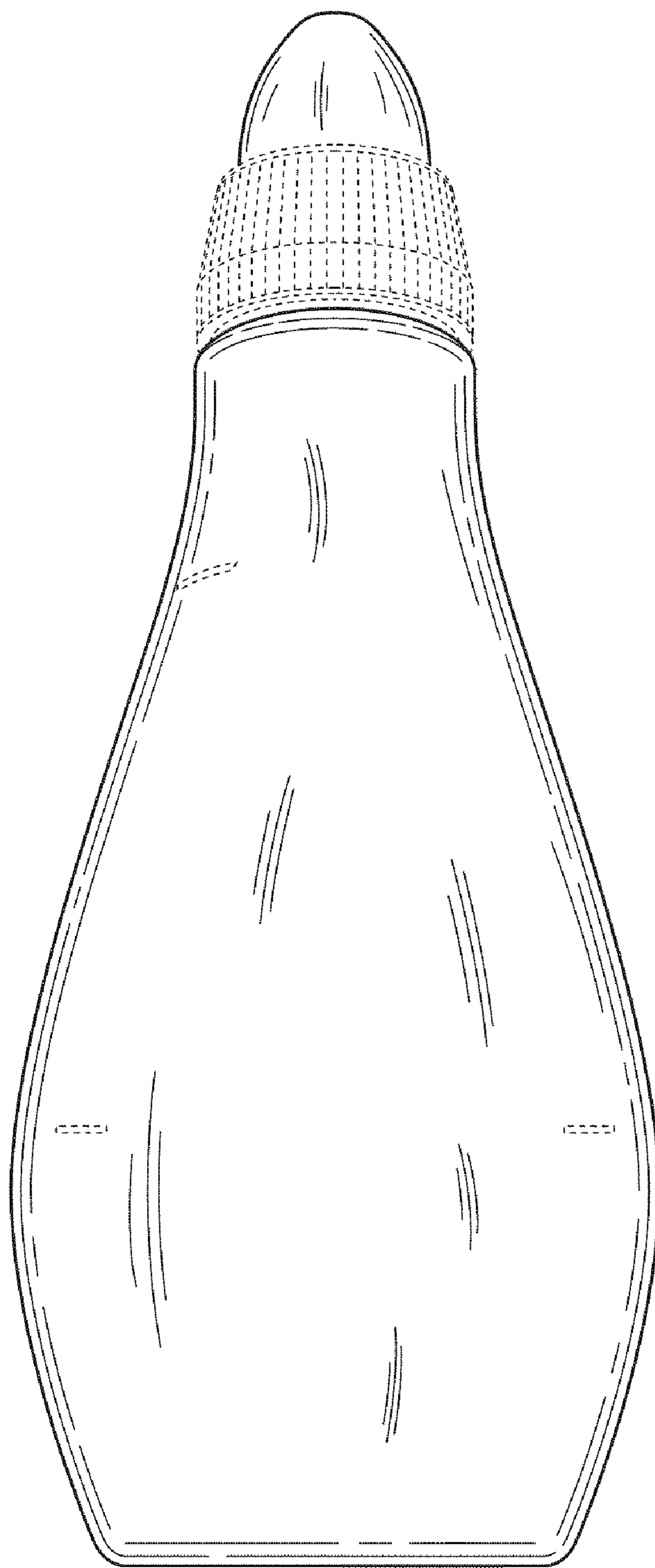


FIG.5

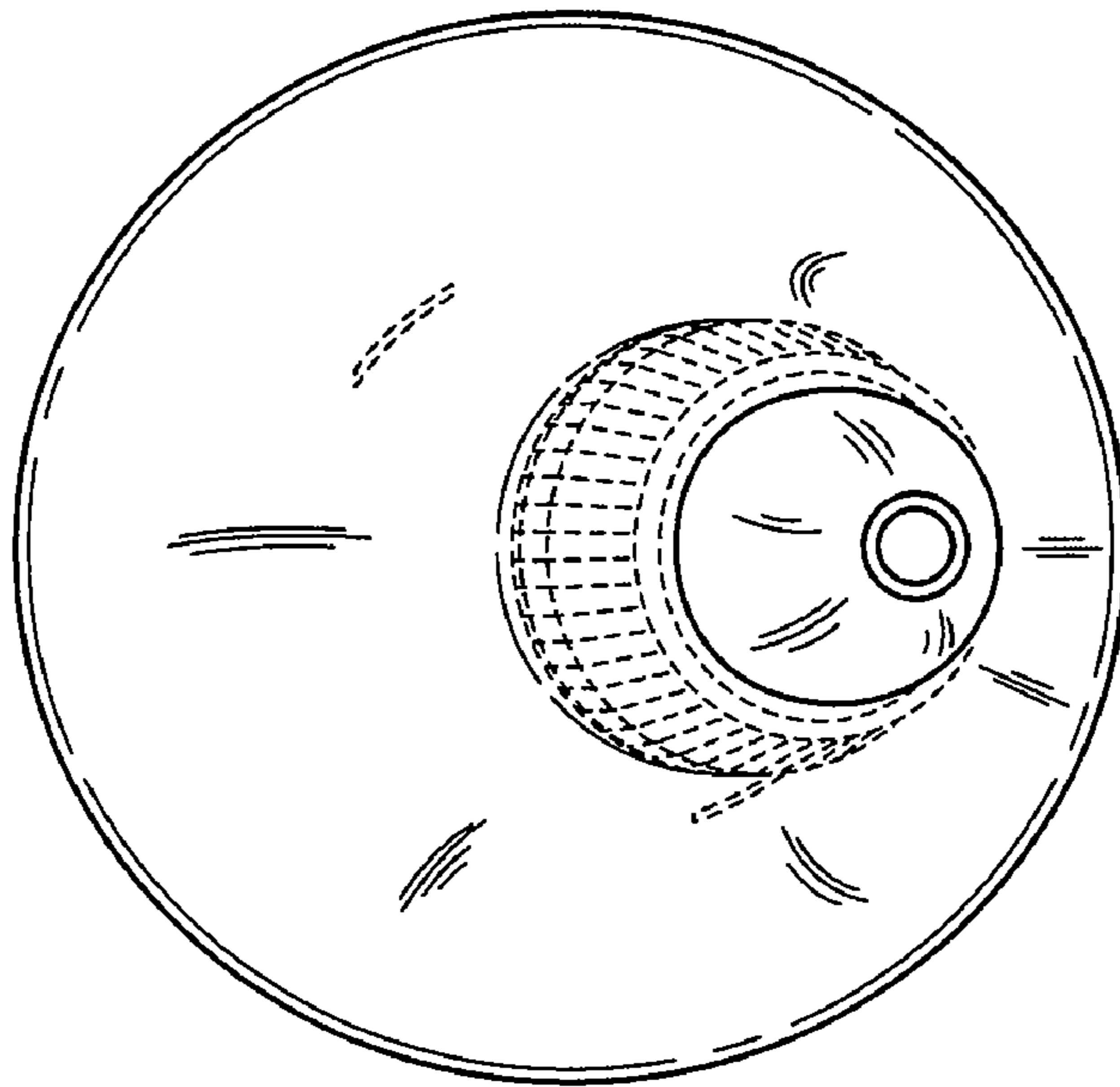


FIG. 6

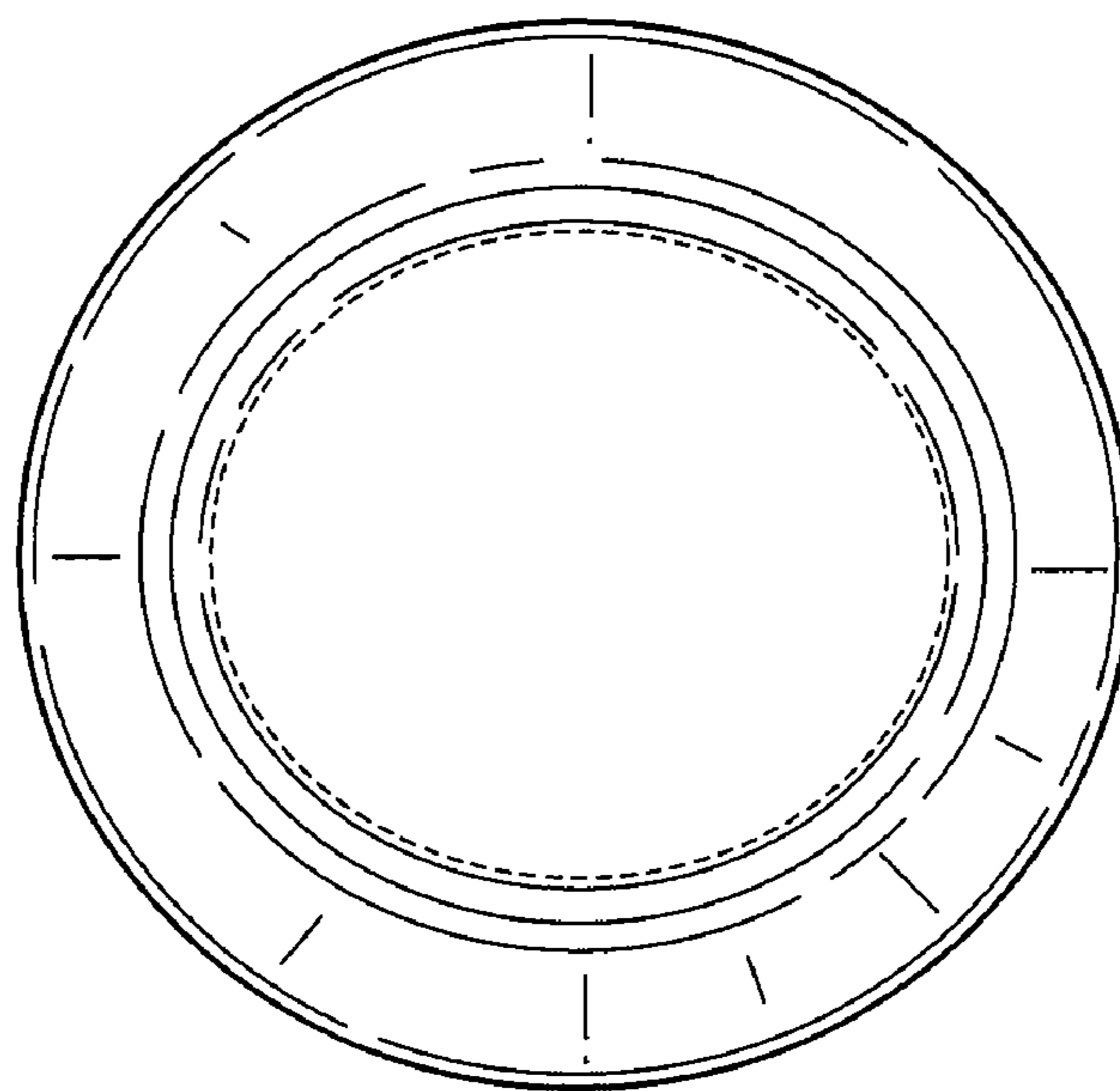


FIG. 7