



US00D653952S

(12) **United States Design Patent**
Snyder

(10) **Patent No.:** **US D653,952 S**

(45) **Date of Patent:** **** Feb. 14, 2012**

(54) **BOTTLE**

(75) **Inventor:** **David A. Snyder**, West Chicago, IL (US)

(73) **Assignee:** **Tricorbraun Inc.**, St. Louis, MO (US)

(**) **Term:** **14 Years**

(21) **Appl. No.:** **29/396,067**

(22) **Filed:** **Jun. 24, 2011**

(51) **LOC (9) Cl.** **09-01**

(52) **U.S. Cl.** **D9/522**; D9/565; D9/572

(58) **Field of Classification Search** D9/516,
D9/522, 526, 529-530, 537-546, 549, 552,
D9/565, 575, 682, 685-686, 688-694; 215/379,
215/381-382, 384; 220/660, 662, 669; D24/197
See application file for complete search history.

(56) **References Cited**

U.S. PATENT DOCUMENTS

D201,214 S	*	5/1965	St. Claire	D9/523
D229,607 S	*	12/1973	Casey et al.	D9/571
D300,119 S	*	3/1989	Pacquin	D9/571
D321,131 S	*	10/1991	Wiseman et al.	D9/565 X
D321,321 S	*	11/1991	Wilgus	D9/523
D325,525 S	*	4/1992	Aliano et al.	D9/544
D336,431 S	*	6/1993	Bruno et al.	D9/516
D340,868 S	*	11/1993	Gormley	D9/522 X
D345,299 S	*	3/1994	Schmitt	D9/694
D357,866 S	*	5/1995	Beier-Rosetti	D9/529 X
D414,114 S	*	9/1999	Mangold	D9/522
D449,534 S	*	10/2001	LeCoule	D9/516 X
D483,677 S	*	12/2003	Zhou	D9/552
D535,567 S	*	1/2007	Snyder	D9/564
D565,424 S	*	4/2008	Moriya	D9/682 X

D575,159 S	*	8/2008	Volberg	D9/522
D592,967 S	*	5/2009	Melrose et al.	D9/574
D610,911 S	*	3/2010	Kim et al.	D9/540
D611,355 S	*	3/2010	Kim et al.	D9/540
D619,465 S	*	7/2010	Snyder	D9/565 X
D619,466 S	*	7/2010	Snyder	D9/575 X
D623,527 S	*	9/2010	Wykoff	D9/522
D626,843 S	*	11/2010	Oates et al.	D9/516
D626,858 S	*	11/2010	Oates et al.	D9/682
D643,728 S	*	8/2011	Rafizadeh	D9/537

* cited by examiner

Primary Examiner — Carol P Rademaker

(74) *Attorney, Agent, or Firm* — H. Frederick Rusche;
Husch Blackwell LLP

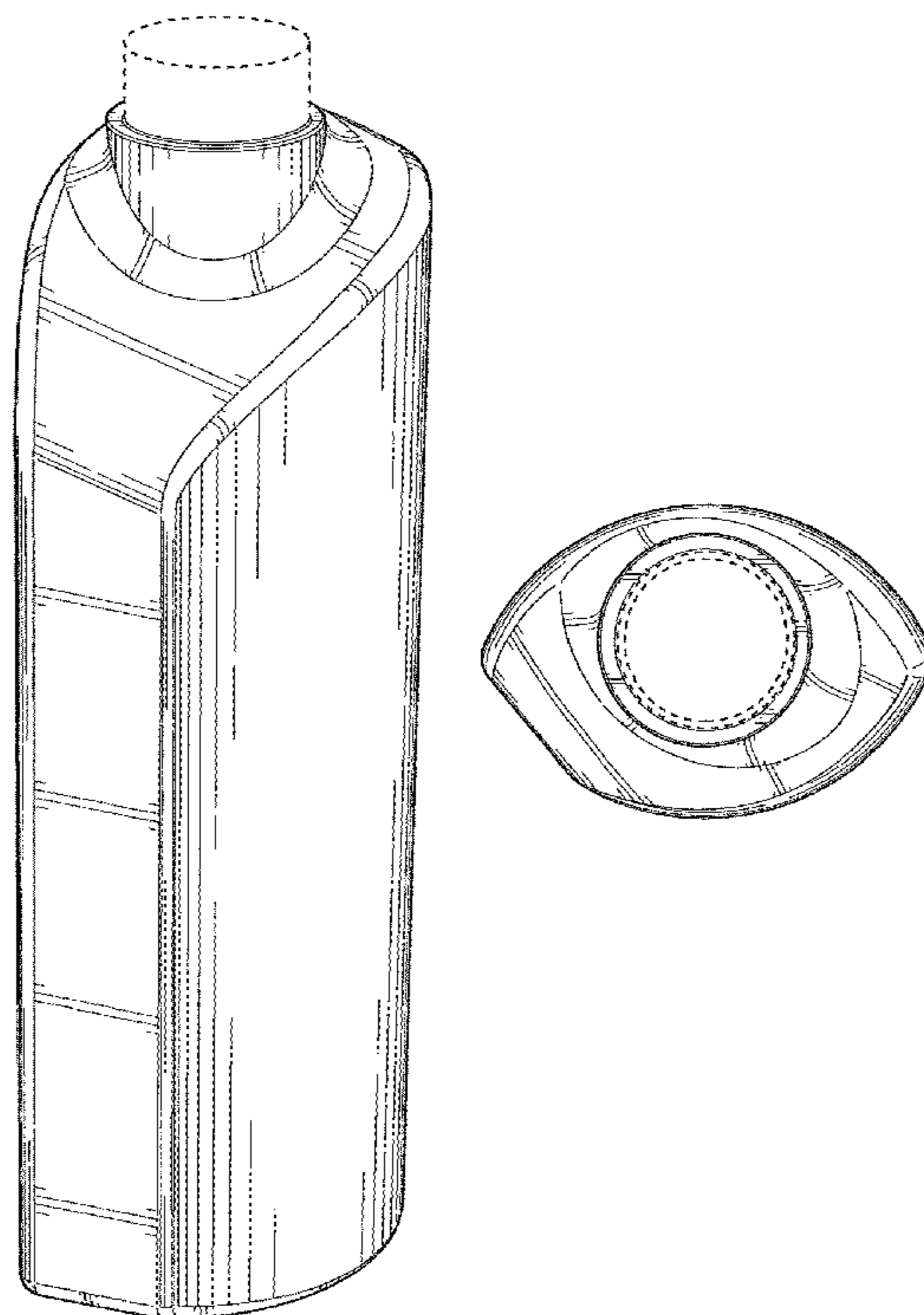
(57) **CLAIM**

I claim the ornamental design for a bottle, as shown and described.

DESCRIPTION

FIG. 1 is a top, front, and left side perspective view of a bottle showing my new design;
FIG. 2 is a left side elevational view thereof;
FIG. 3 is a right side elevational view thereof;
FIG. 4 is a front elevational view thereof;
FIG. 5 is a back elevational view thereof; and,
FIG. 6 is a top plan view thereof.
The broken lines shown in the drawings are included for the purpose of illustrating environmental structure and form no part of the claimed design.

1 Claim, 4 Drawing Sheets



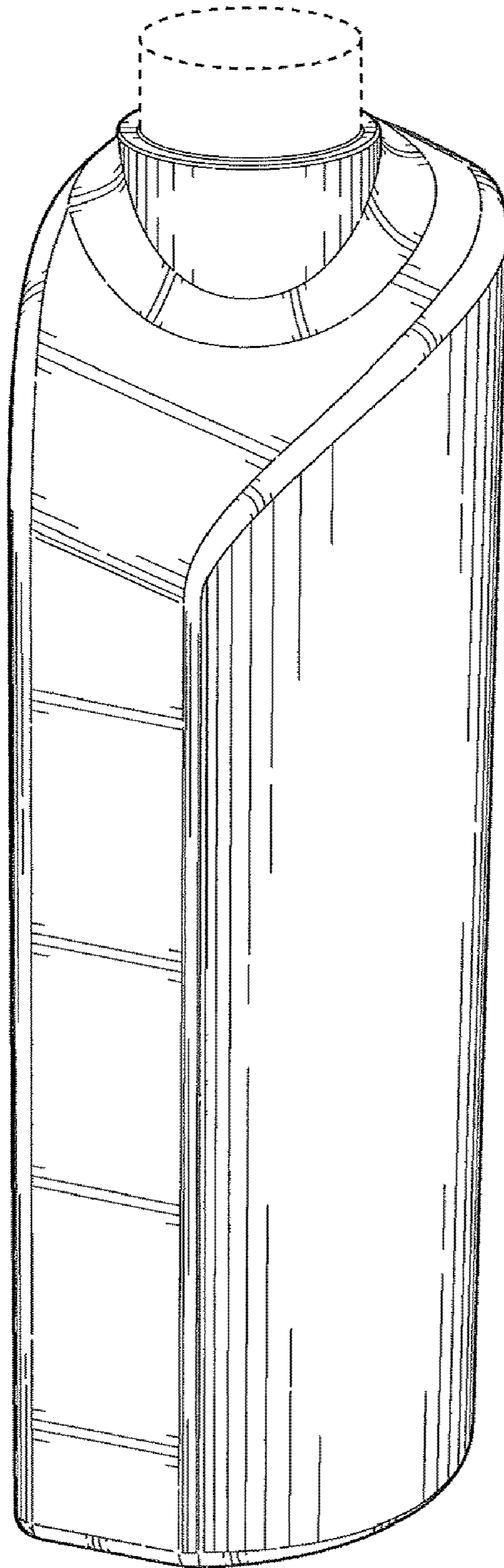


FIG. 1

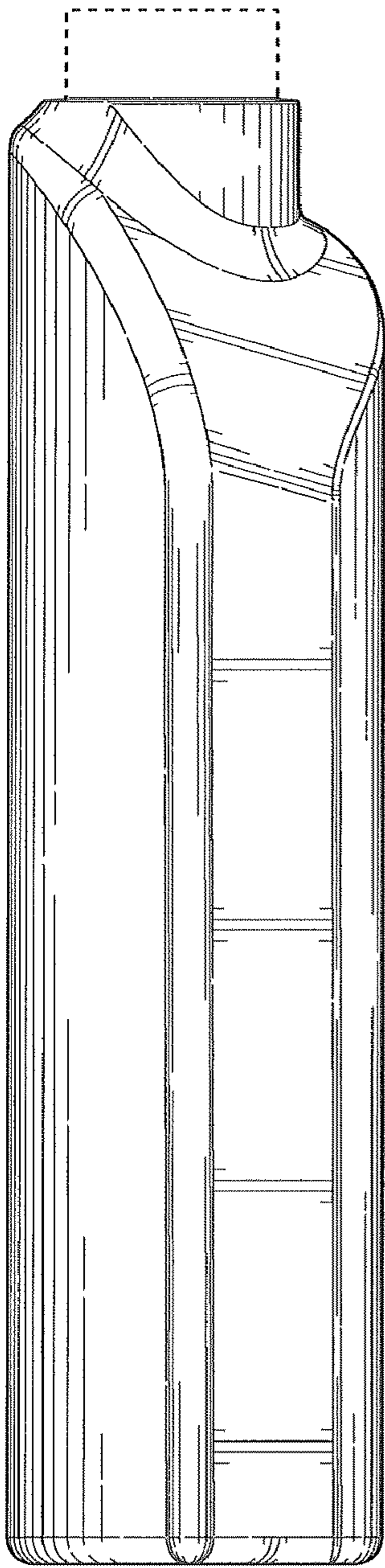


FIG. 2

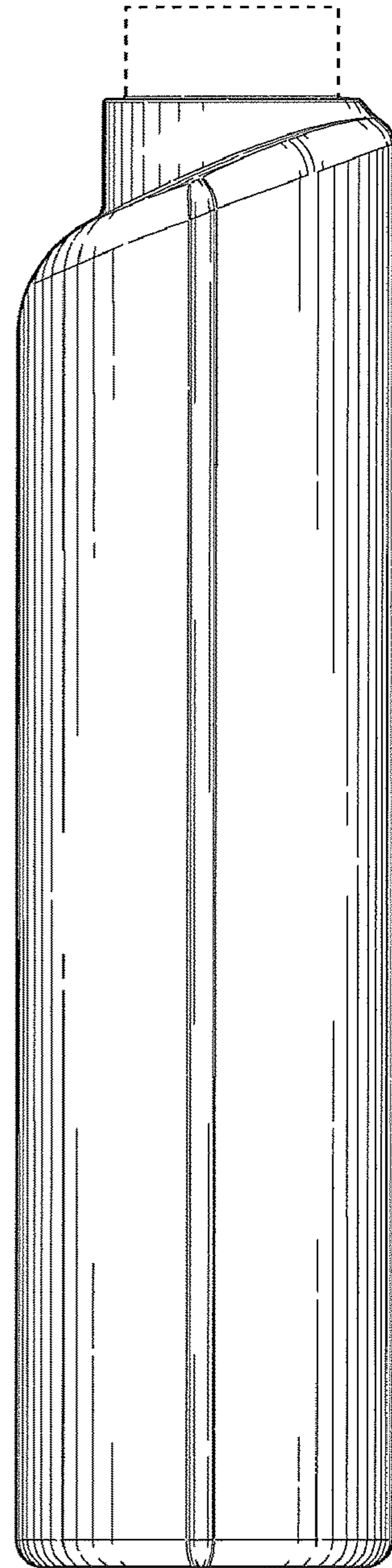


FIG. 3

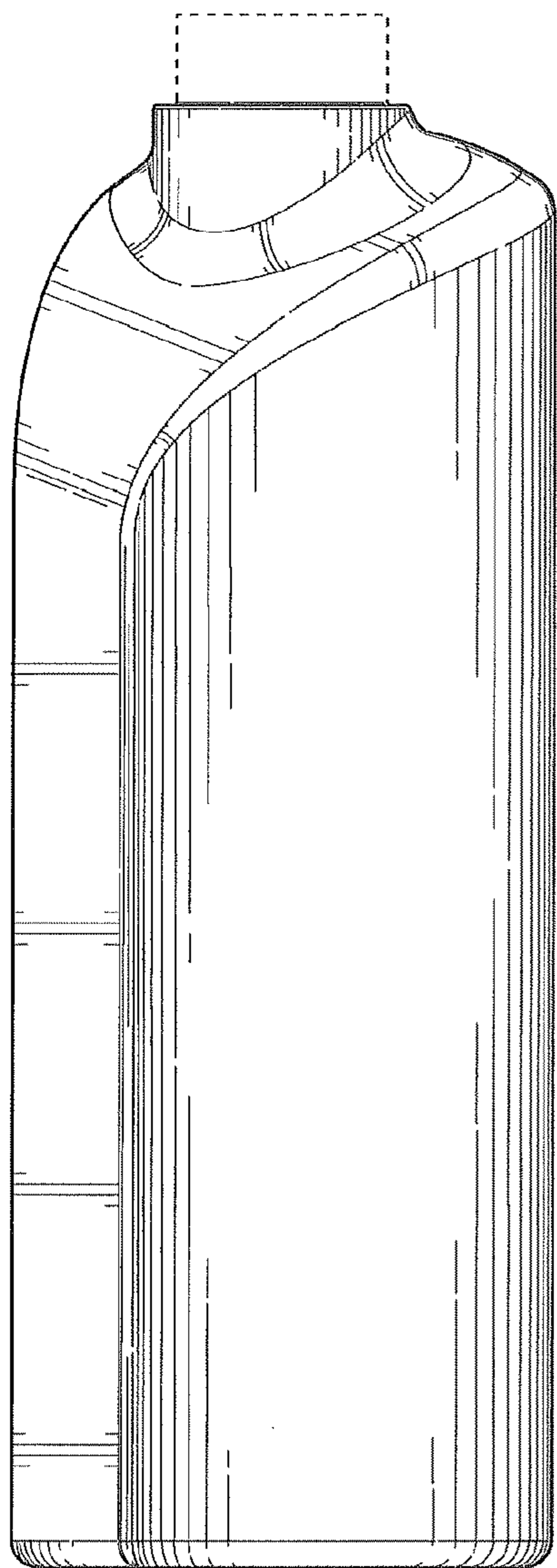


FIG. 4

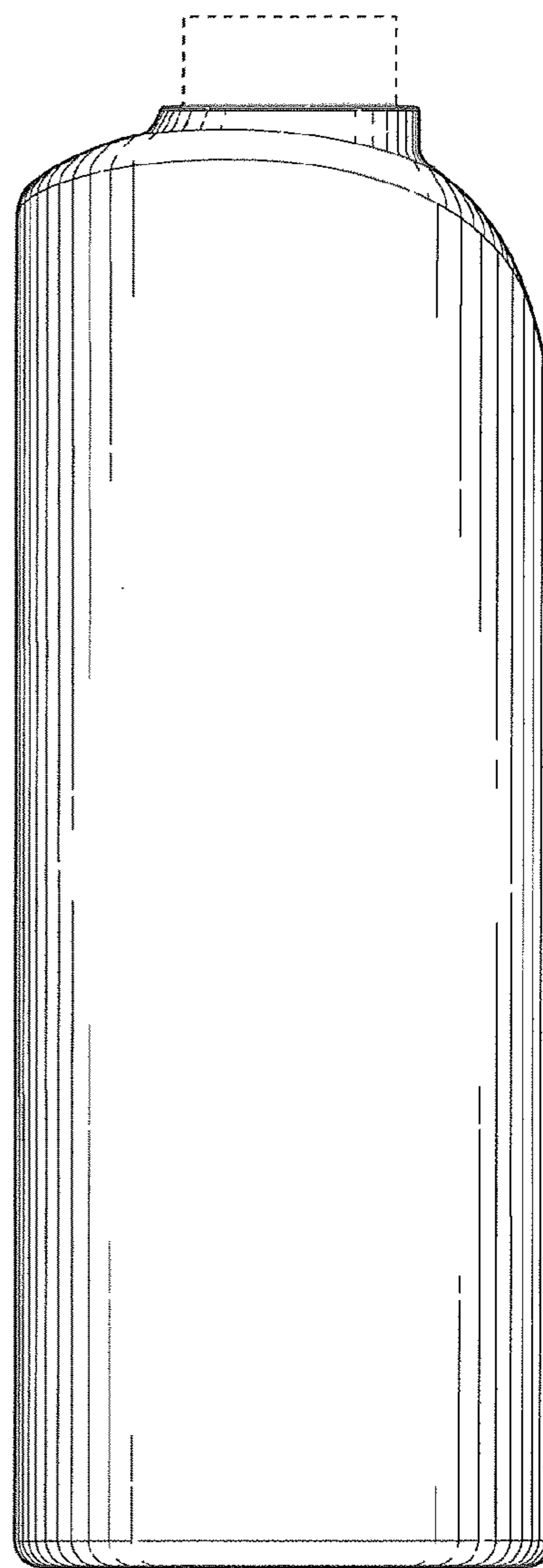


FIG. 5

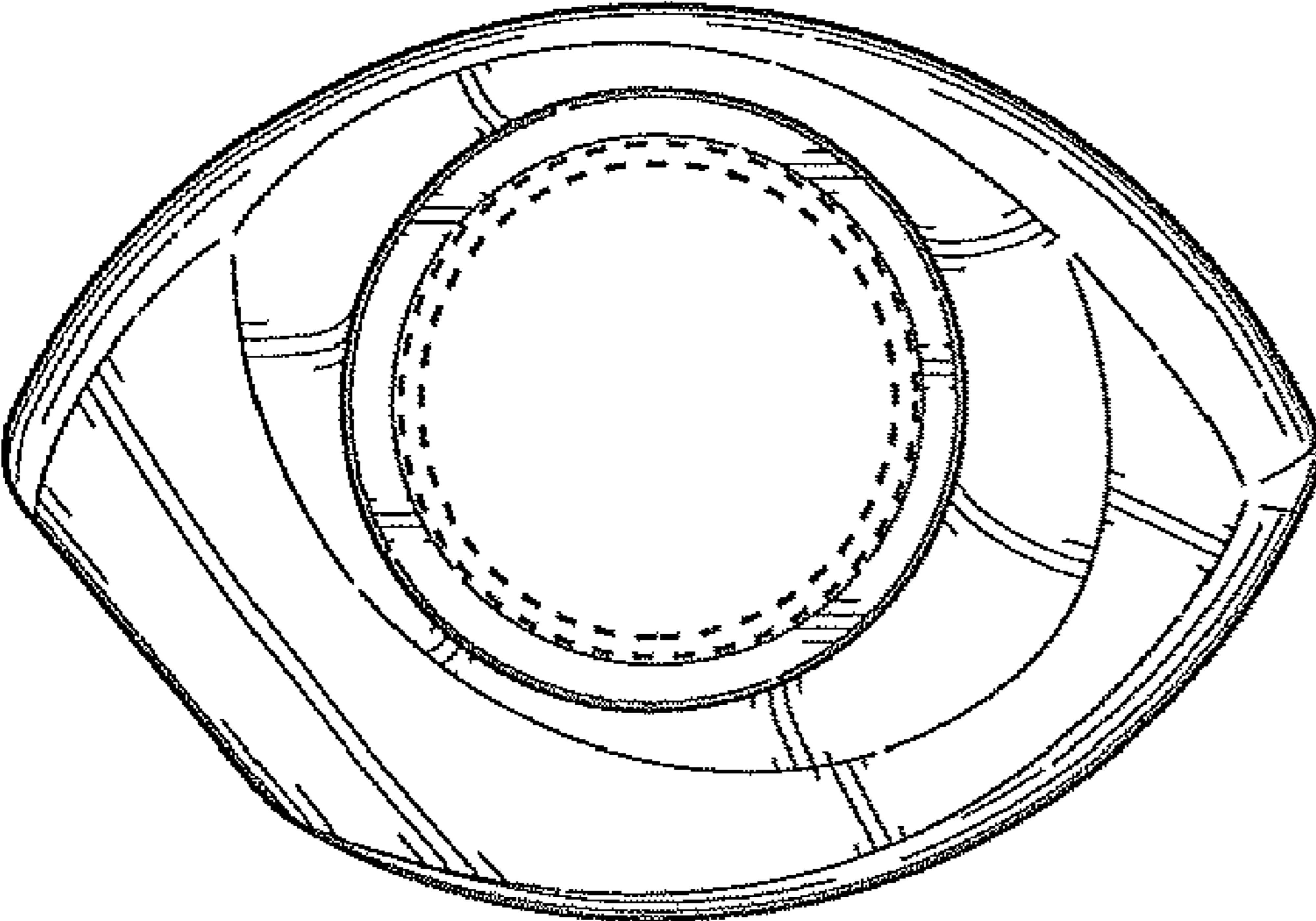


FIG. 6