



US00D653950S

(12) **United States Design Patent**  
**Ishizawa et al.**

(10) **Patent No.:** **US D653,950 S**

(45) **Date of Patent:** **\*\* Feb. 14, 2012**

(54) **PACKAGING CONTAINER**

(75) Inventors: **Taku Ishizawa**, Shiojiri (JP); **Hitoshi Matsumoto**, Matsumoto (JP); **Mitsuto Yanagisawa**, Matsumoto (JP); **Yaeko Onishi**, Shinshiro (JP)

(73) Assignee: **Sieko Epson Corporation**, Tokyo (JP)

(\*\*) Term: **14 Years**

(21) Appl. No.: **29/387,179**

(22) Filed: **Mar. 10, 2011**

(30) **Foreign Application Priority Data**

Sep. 17, 2010 (JP) ..... 2010-022552  
Nov. 30, 2010 (EM) ..... 001787524

(51) **LOC (9) Cl.** ..... **09-01**

(52) **U.S. Cl.** ..... **D9/500; D9/553; D9/575**

(58) **Field of Classification Search** ..... D9/500,  
D9/502-505, 516, 537-540, 549-550, 557-558,  
D9/575; D7/509-511; 215/379, 381-382;  
220/660, 662, 669, 675  
See application file for complete search history.

(56) **References Cited**

**U.S. PATENT DOCUMENTS**

D236,433 S \* 8/1975 Strand ..... D9/500  
D266,739 S \* 11/1982 Plewes et al. .... D9/500  
D309,711 S \* 8/1990 Biesecker ..... D9/500  
D343,791 S \* 2/1994 Pitaknarongphorn ..... D9/724  
D427,910 S \* 7/2000 Barnes et al. .... D9/502  
D499,649 S \* 12/2004 Olivares et al. .... D9/502

D603,707 S \* 11/2009 Lourenco et al. .... D9/502  
D605,517 S \* 12/2009 Caldwell ..... D9/500

\* cited by examiner

*Primary Examiner* — Ian Simmons  
*Assistant Examiner* — Dana L Sipos

(57) **CLAIM**

The ornamental design for a packaging container, as shown and described.

**DESCRIPTION**

FIG. 1 is a front, top, and left side perspective view of a packaging container showing our new design;  
FIG. 2 is a front view thereof;  
FIG. 3 is a rear view thereof;  
FIG. 4 is a top plan view thereof;  
FIG. 5 is a bottom plan view thereof;  
FIG. 6 is a right side view thereof;  
FIG. 7 is a left side view thereof;  
FIG. 8 is a front, top, and left side perspective view of a packaging container according to a second embodiment of the present design;  
FIG. 9 is a rear, bottom, and right side perspective view thereof;  
FIG. 10 is a front view thereof;  
FIG. 11 is a rear view thereof;  
FIG. 12 is a top plan view thereof;  
FIG. 13 is a bottom plan view thereof;  
FIG. 14 is a right side view thereof; and,  
FIG. 15 is a left side view thereof.

The features shown in broken lines in the drawings depict environmental subject matter only and form no part of the claimed design.

**1 Claim, 13 Drawing Sheets**

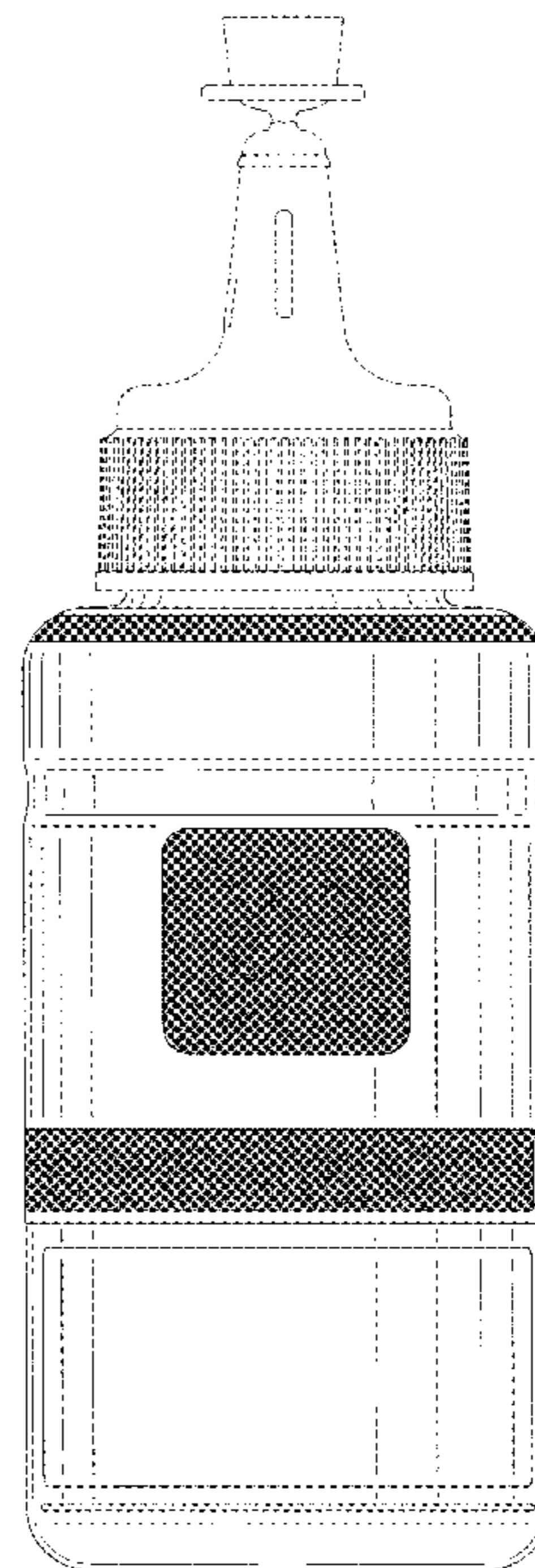
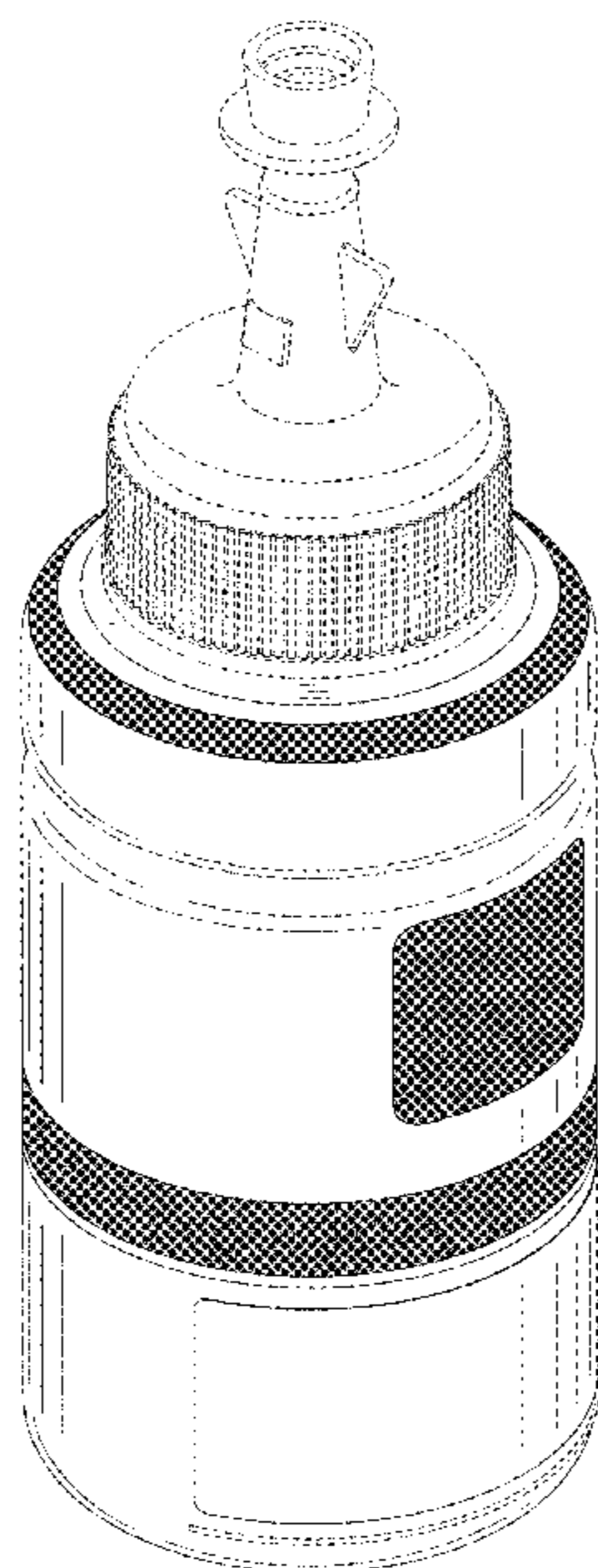


Fig. 1

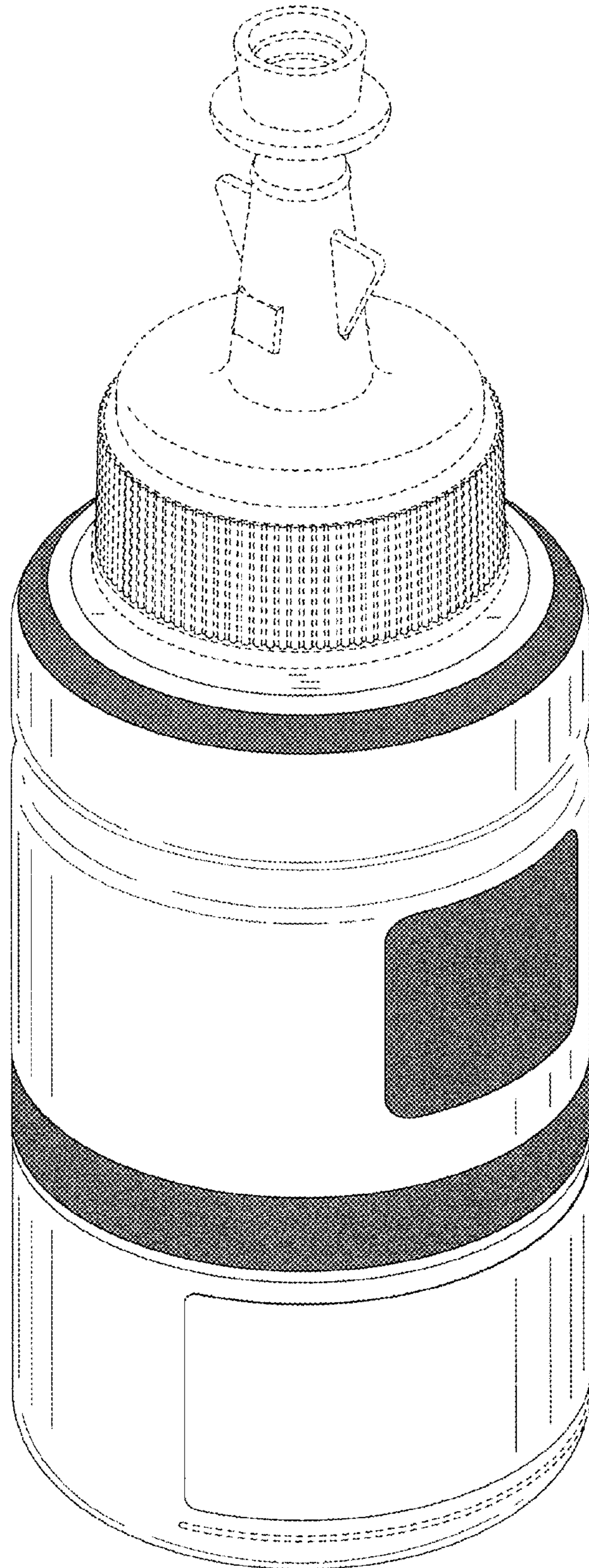


Fig. 2

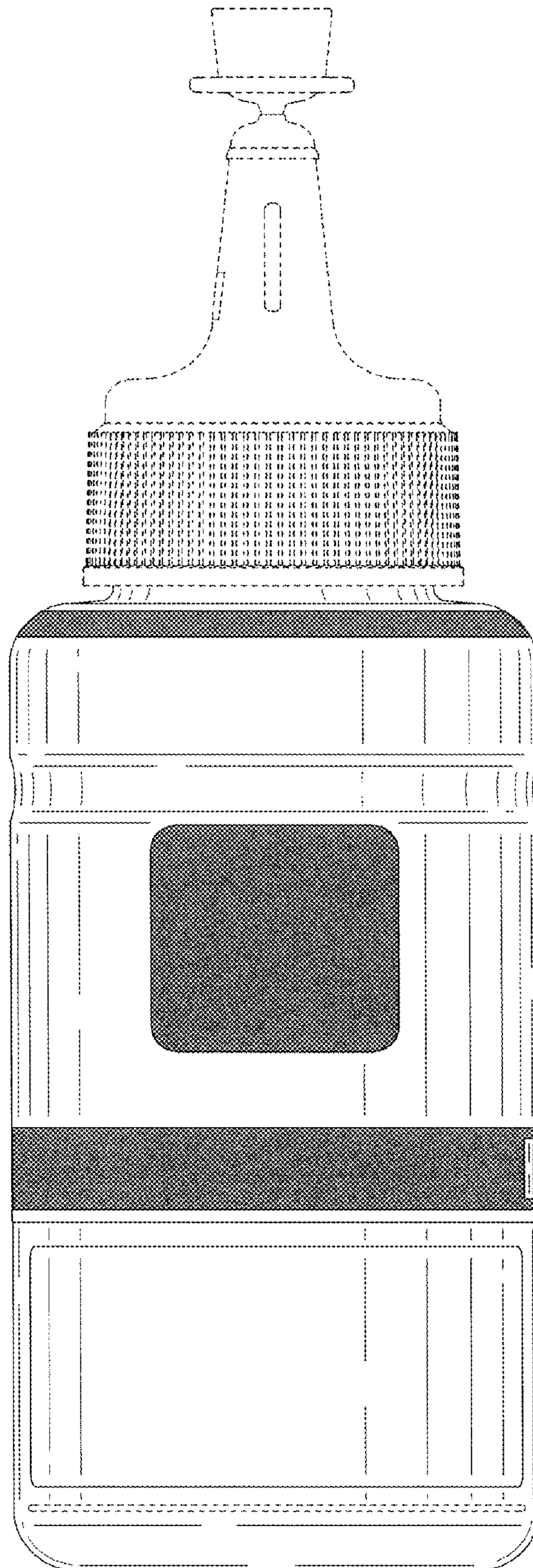


Fig. 3

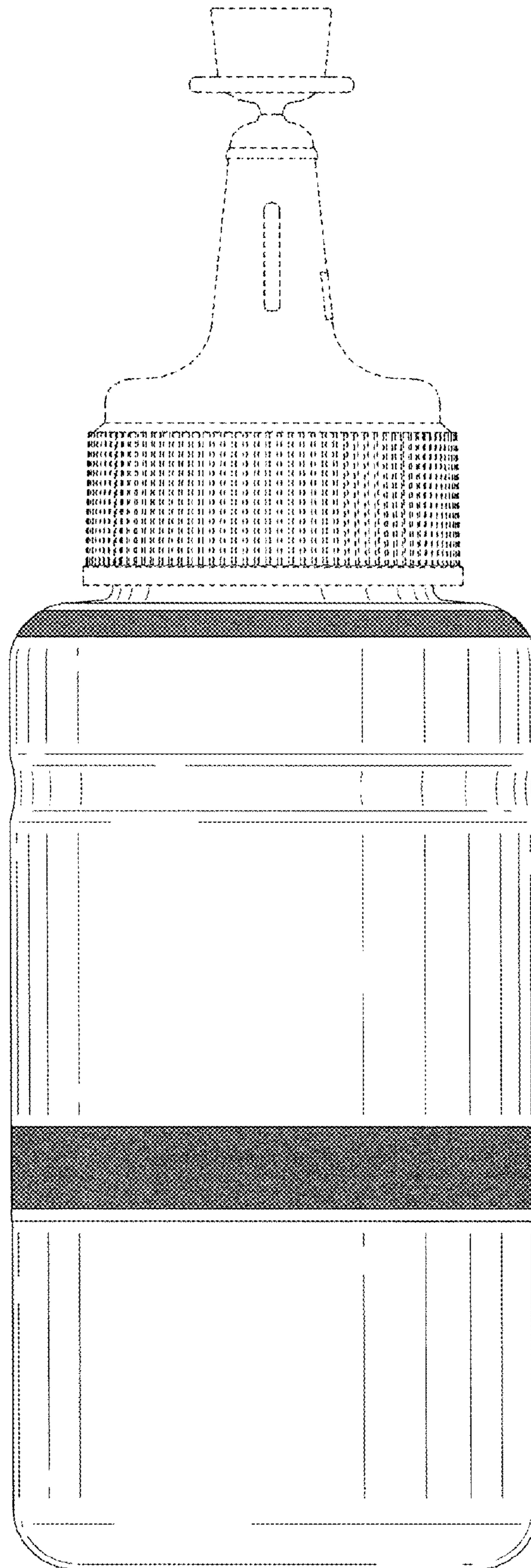


Fig. 4

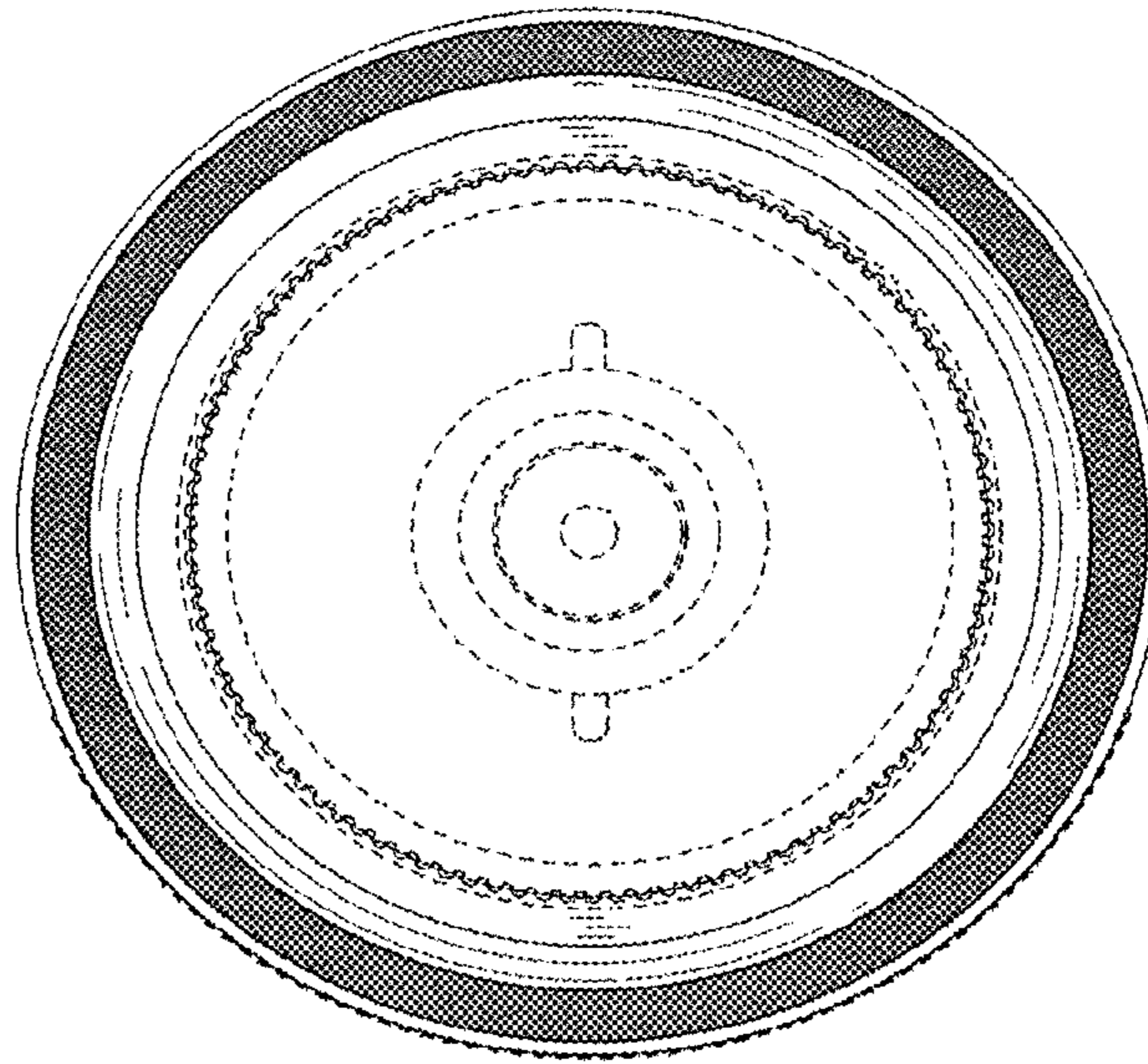


Fig. 5

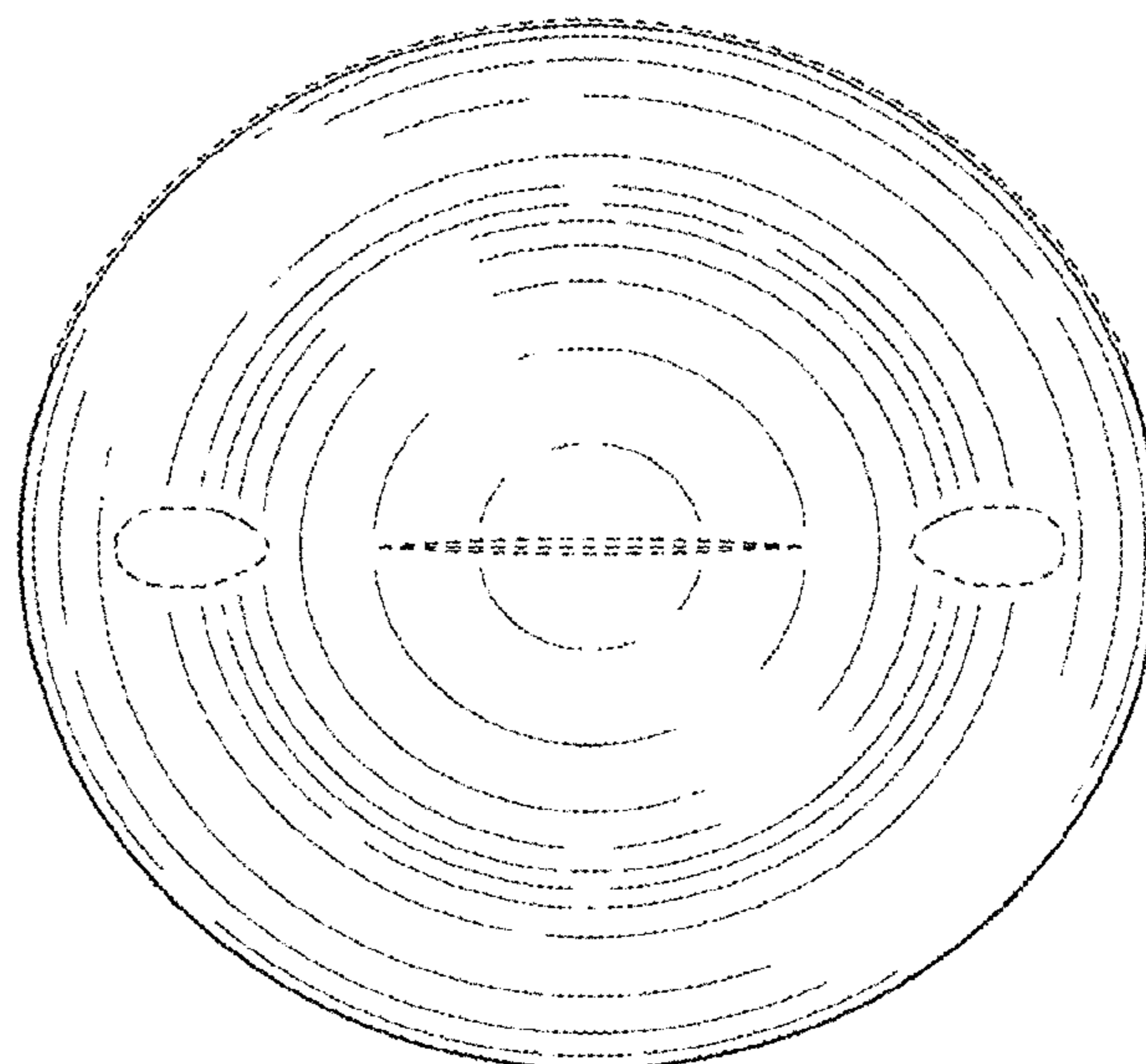


Fig. 6

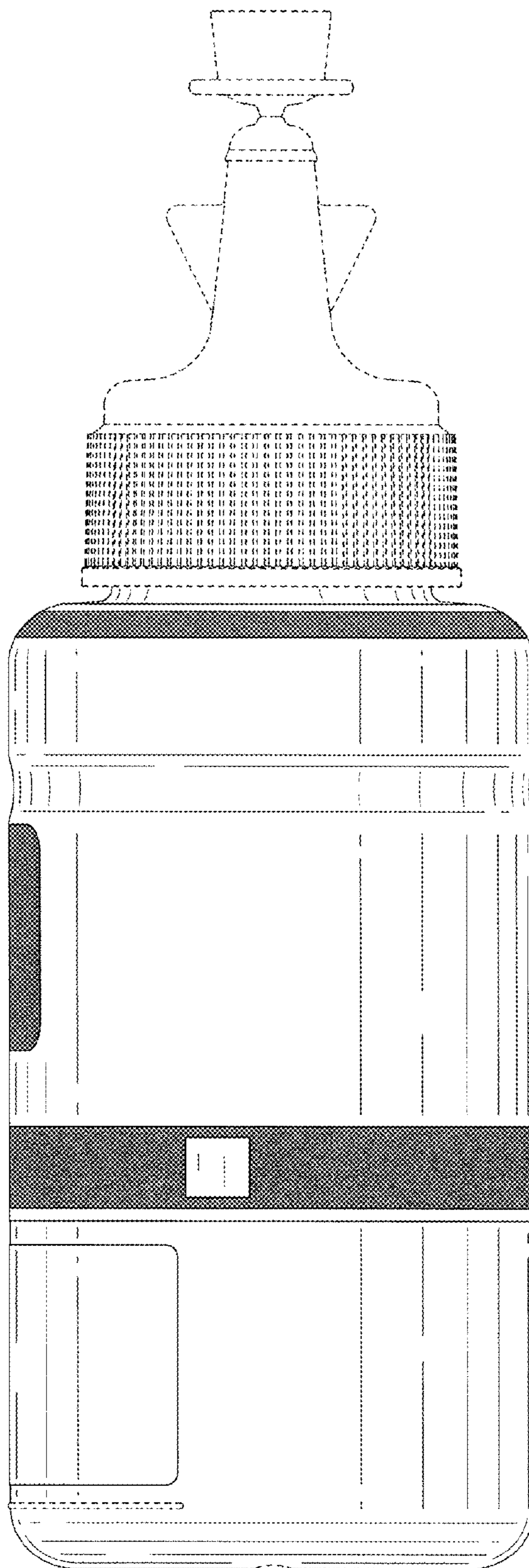


Fig. 7

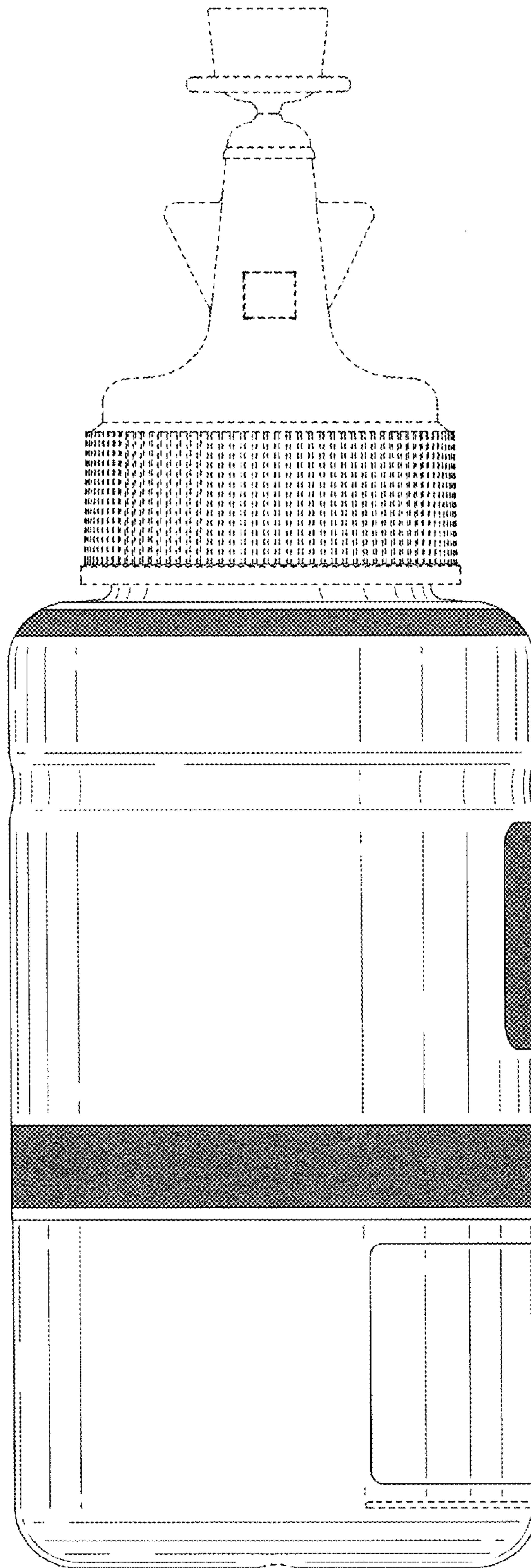


Fig. 8

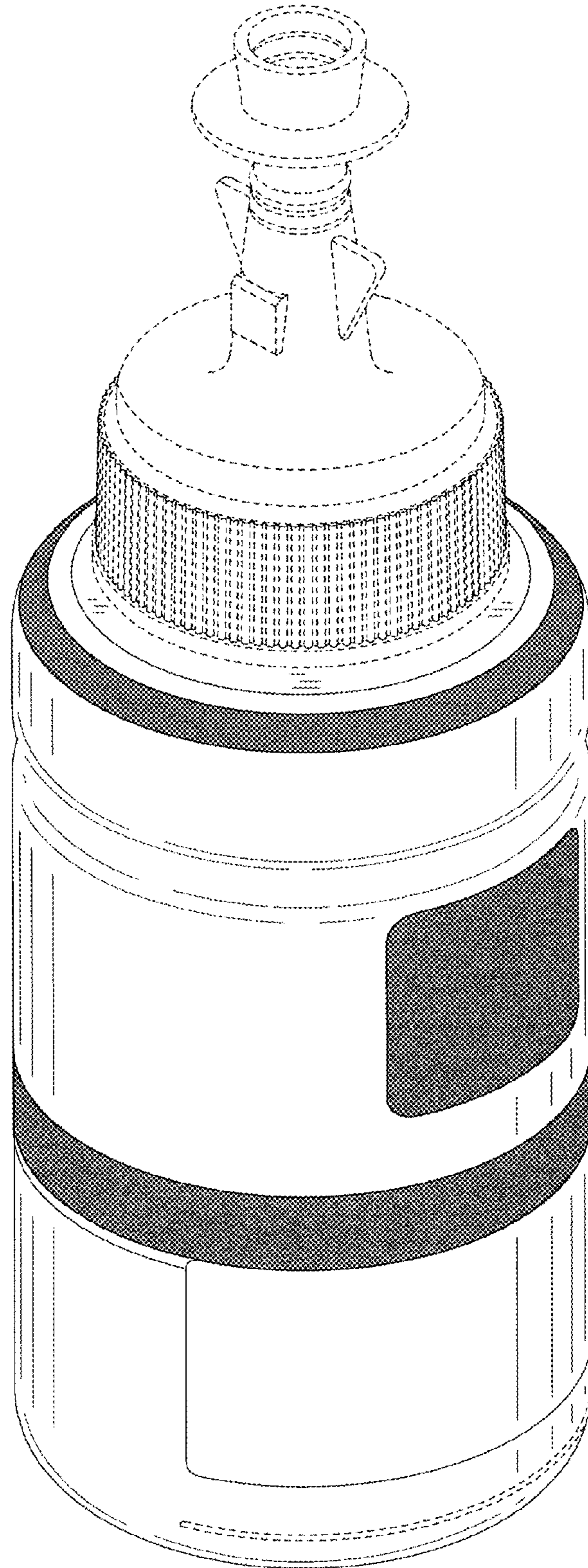




Fig. 9

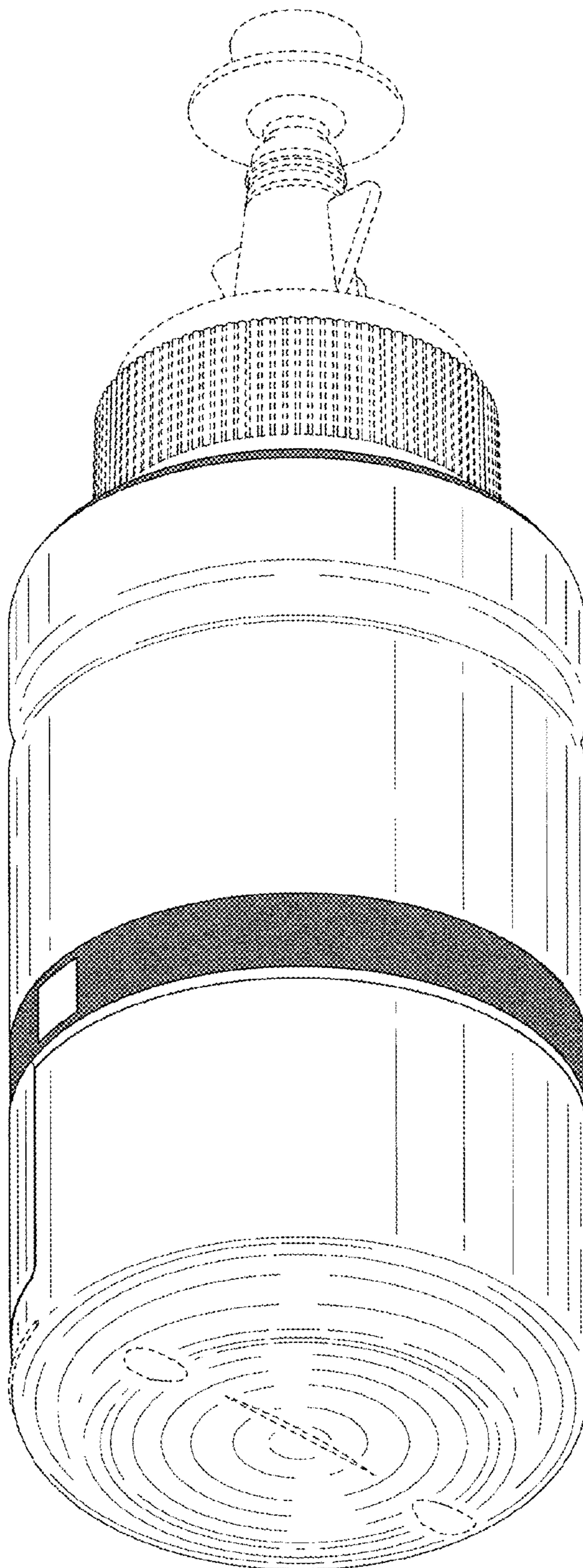


Fig. 10

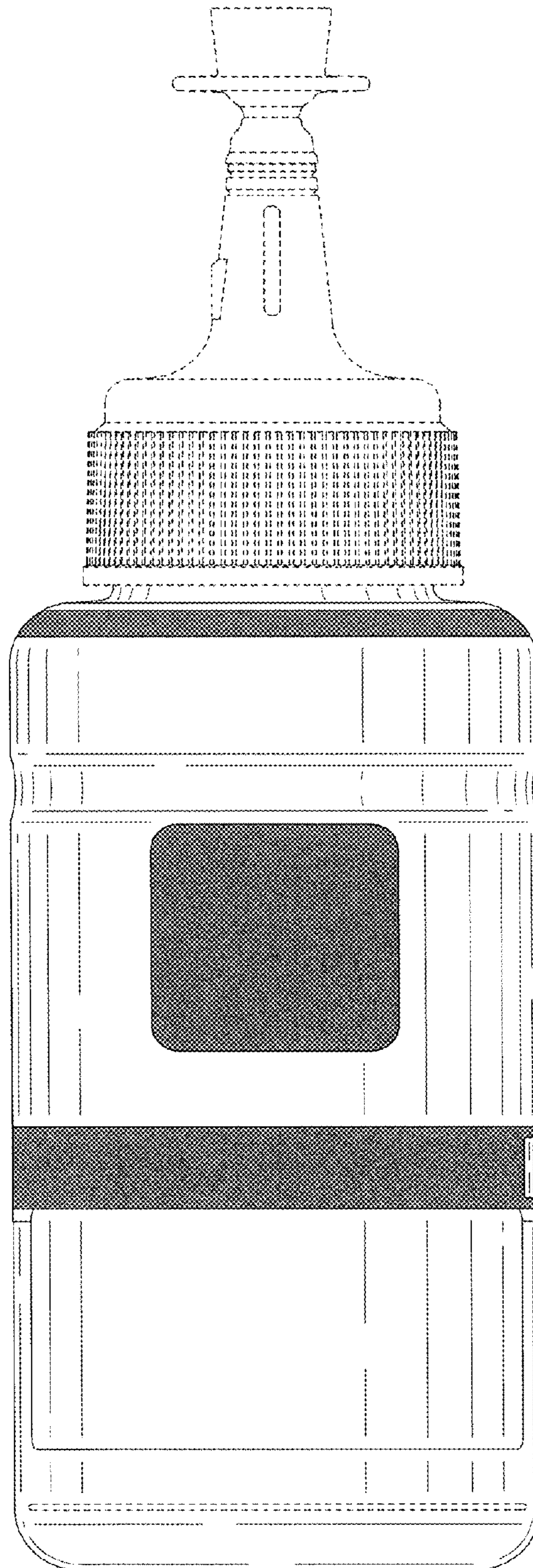


Fig. 11

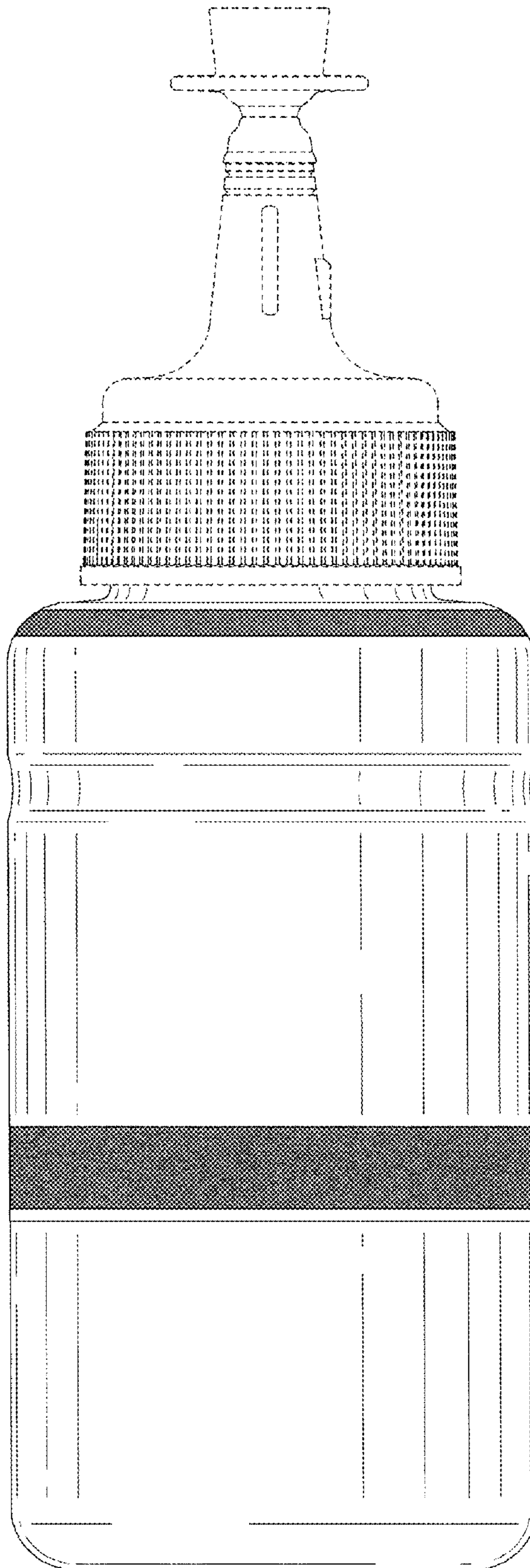


Fig. 12

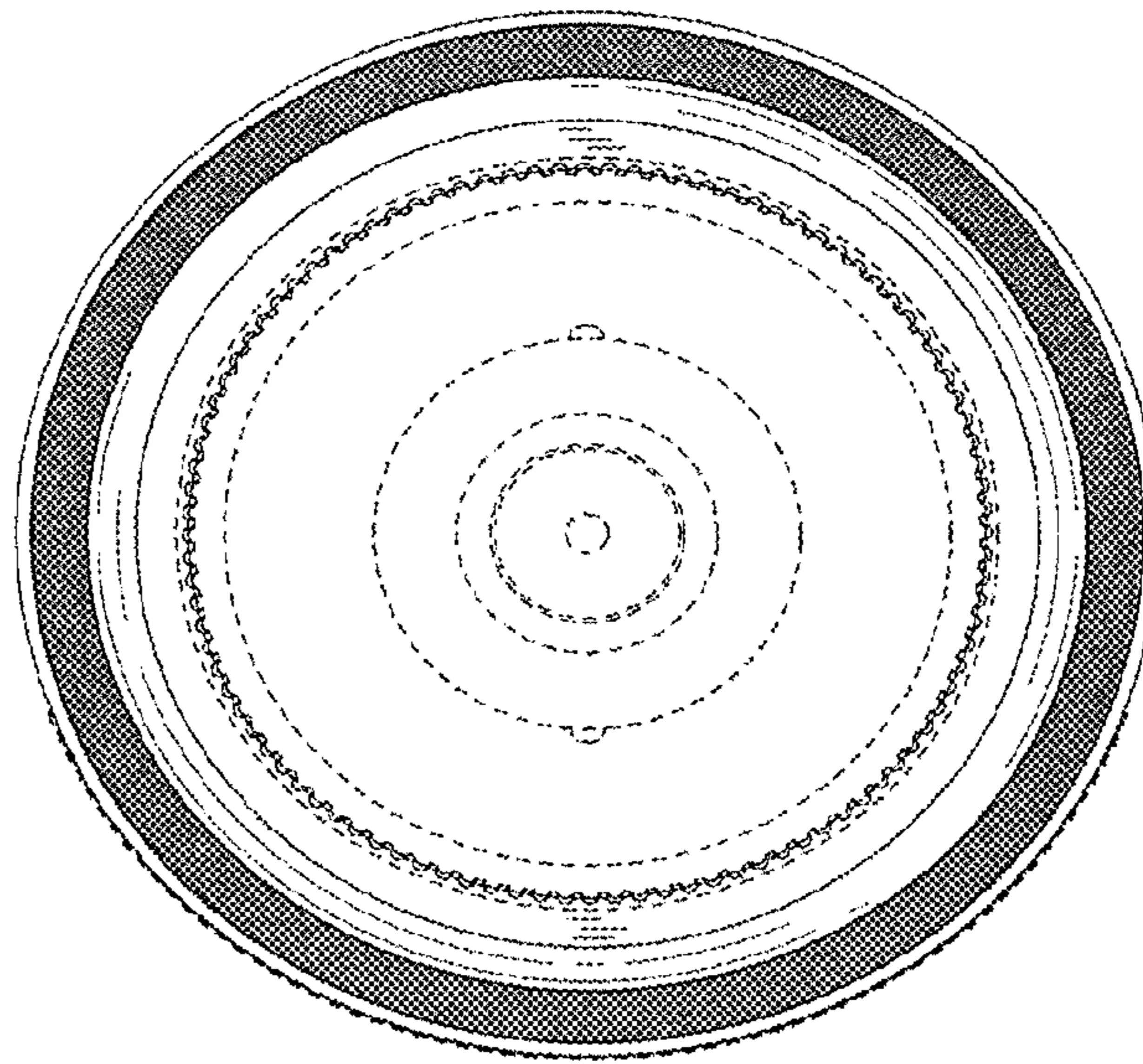


Fig. 13

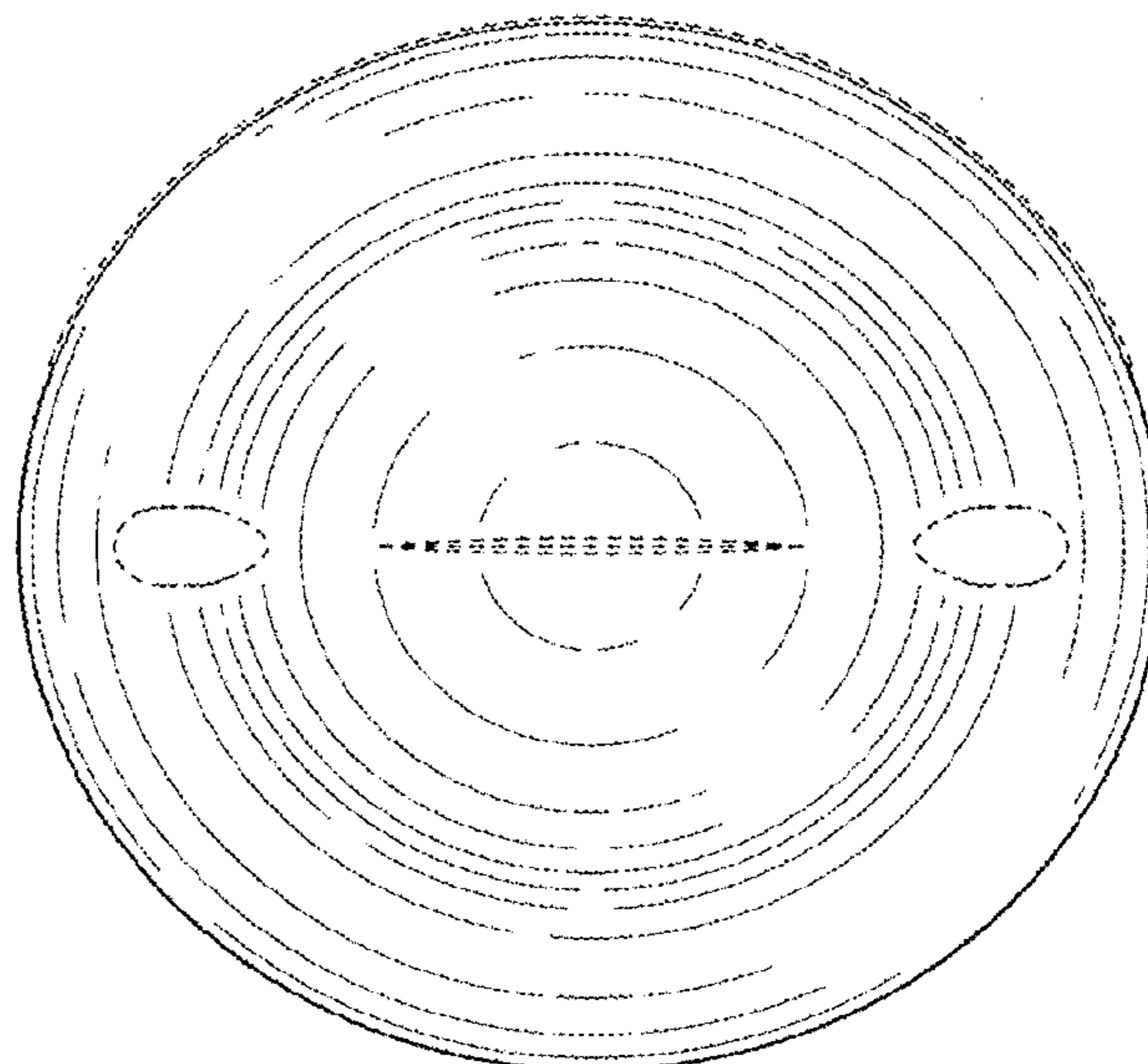


Fig. 14

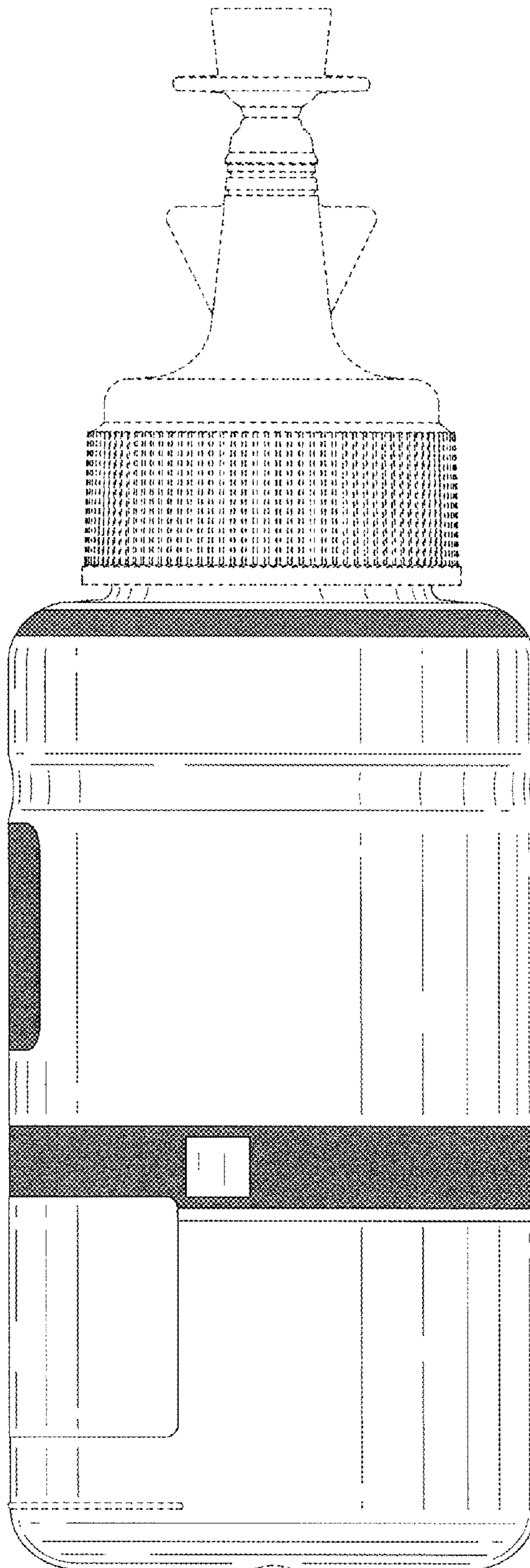
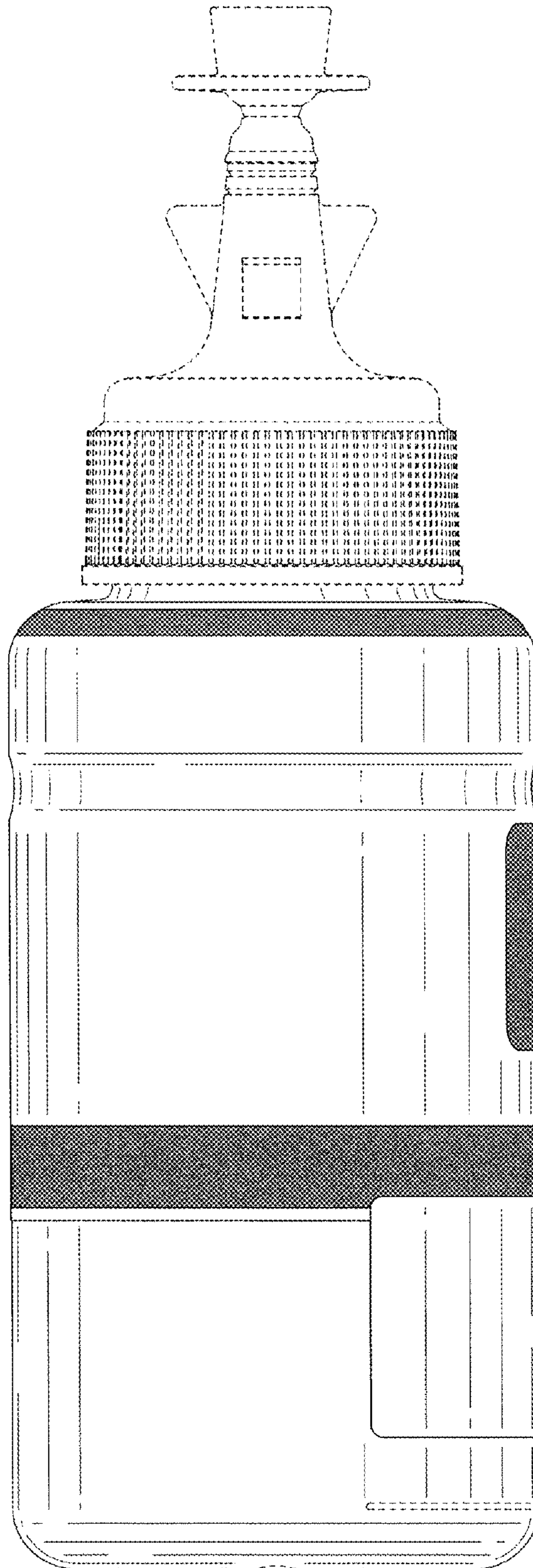


Fig. 15



UNITED STATES PATENT AND TRADEMARK OFFICE  
**CERTIFICATE OF CORRECTION**

PATENT NO. : D653,950 S  
APPLICATION NO. : 29/387179  
DATED : February 14, 2012  
INVENTOR(S) : Taku Ishizawa et al.

Page 1 of 15

It is certified that error appears in the above-identified patent and that said Letters Patent is hereby corrected as shown below:

Delete title page and substitute the attached title page therefor.

Please delete sheets 1-13 (Figs. 1-15) and substitute the attached sheets 1-13 (Figs. 1-15) therefor.

Signed and Sealed this  
Nineteenth Day of March, 2013



Teresa Stanek Rea  
*Acting Director of the United States Patent and Trademark Office*

(12) **United States Design Patent**  
**Ishizawa et al.**

(10) **Patent No.:** **US D653,950 S**  
(45) **Date of Patent:** **\*\* Feb. 14, 2012**

(54) **PACKAGING CONTAINER**

(75) Inventors: **Taku Ishizawa**, Shiojiri (JP); **Hitoshi Matsumoto**, Matsumoto (JP); **Mitsuto Yanagisawa**, Matsumoto (JP); **Yaeko Onishi**, Shinshiro (JP)

(73) Assignee: **Sleko Epson Corporation**, Tokyo (JP)

(\*\*) Term: **14 Years**

(21) Appl. No.: **29/387,179**

(22) Filed: **Mar. 10, 2011**

(30) **Foreign Application Priority Data**

Sep. 17, 2010 (JP) ..... 2010-022552  
 Nov. 30, 2010 (EM) ..... 001787524

(51) **LOC (9) Cl.** ..... **09-01**

(52) **U.S. Cl.** ..... **D9/500; D9/553; D9/575**

(58) **Field of Classification Search** ..... **D9/500, D9/502-505, 516, 537-540, 549-550, 557-558, D9/575; D7/509-511; 215/379, 381-382; 220/660, 662, 669, 675**

See application file for complete search history.

(56) **References Cited**

**U.S. PATENT DOCUMENTS**

D236,433 S \* 8/1975 Strand ..... D9/500  
 D266,739 S \* 11/1982 Plewes et al. .... D9/500  
 D309,711 S \* 8/1990 Biesecker ..... D9/500  
 D343,791 S \* 2/1994 Pitaknarongphorn ..... D9/724  
 D427,910 S \* 7/2000 Barnes et al. .... D9/502  
 D499,649 S \* 12/2004 Olivares et al. .... D9/502

D603,707 S \* 11/2009 Lourenco et al. .... D9/502  
 D605,517 S \* 12/2009 Caldwell ..... D9/500

\* cited by examiner

*Primary Examiner* — Ian Simmons  
*Assistant Examiner* — Dana L Sipos

(57) **CLAIM**

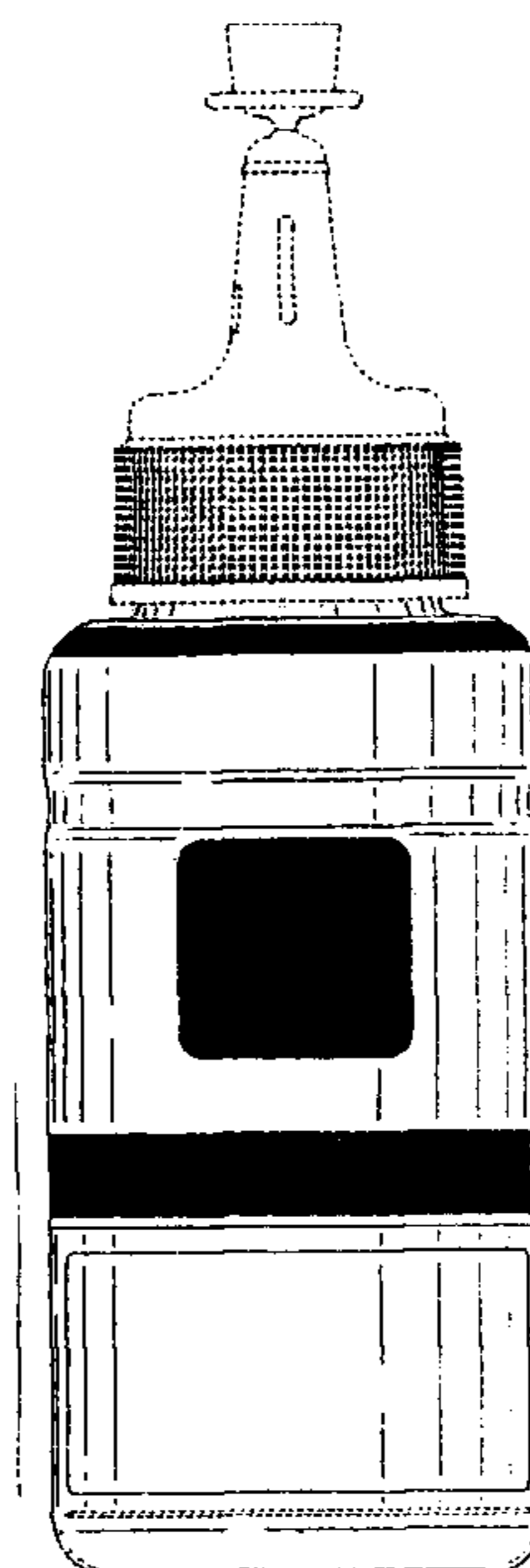
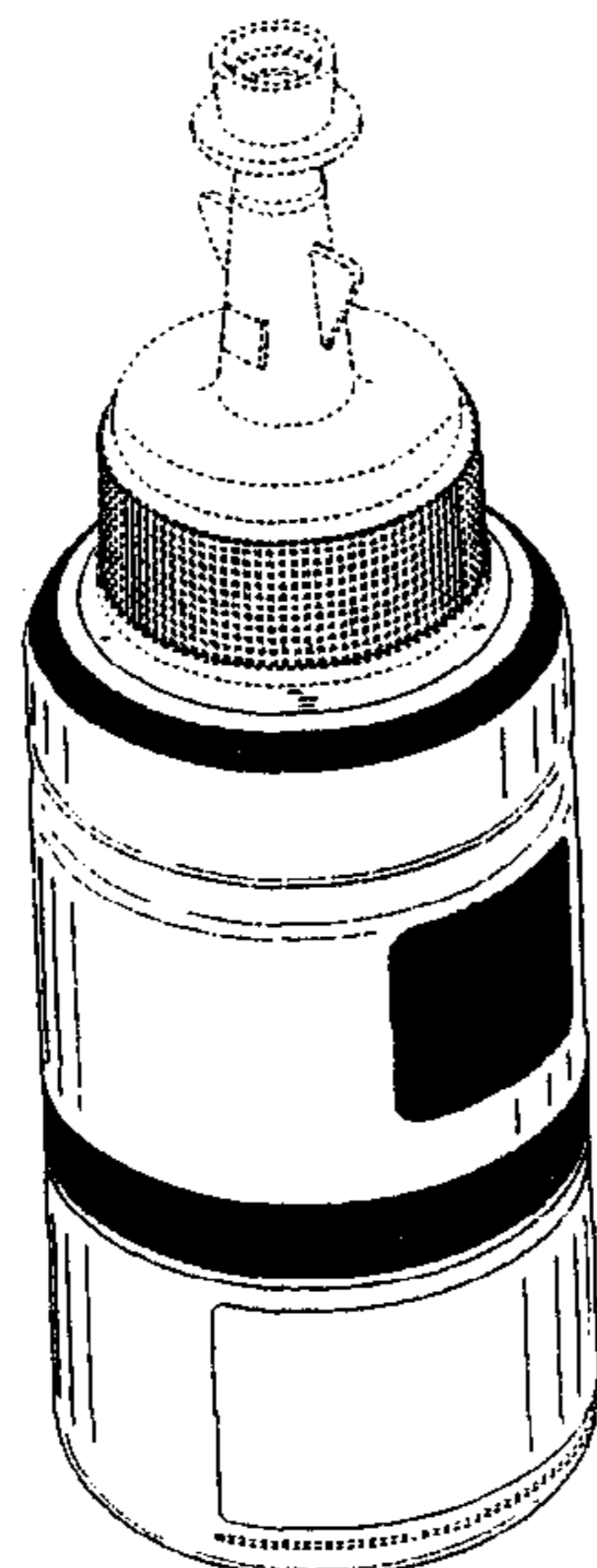
The ornamental design for a packaging container, as shown and described.

**DESCRIPTION**

FIG. 1 is a front, top, and left side perspective view of a packaging container showing our new design;  
 FIG. 2 is a front view thereof;  
 FIG. 3 is a rear view thereof;  
 FIG. 4 is a top plan view thereof;  
 FIG. 5 is a bottom plan view thereof;  
 FIG. 6 is a right side view thereof;  
 FIG. 7 is a left side view thereof;  
 FIG. 8 is a front, top, and left side perspective view of a packaging container according to a second embodiment of the present design;  
 FIG. 9 is a rear, bottom, and right side perspective view thereof;  
 FIG. 10 is a front view thereof;  
 FIG. 11 is a rear view thereof;  
 FIG. 12 is a top plan view thereof;  
 FIG. 13 is a bottom plan view thereof;  
 FIG. 14 is a right side view thereof; and,  
 FIG. 15 is a left side view thereof.

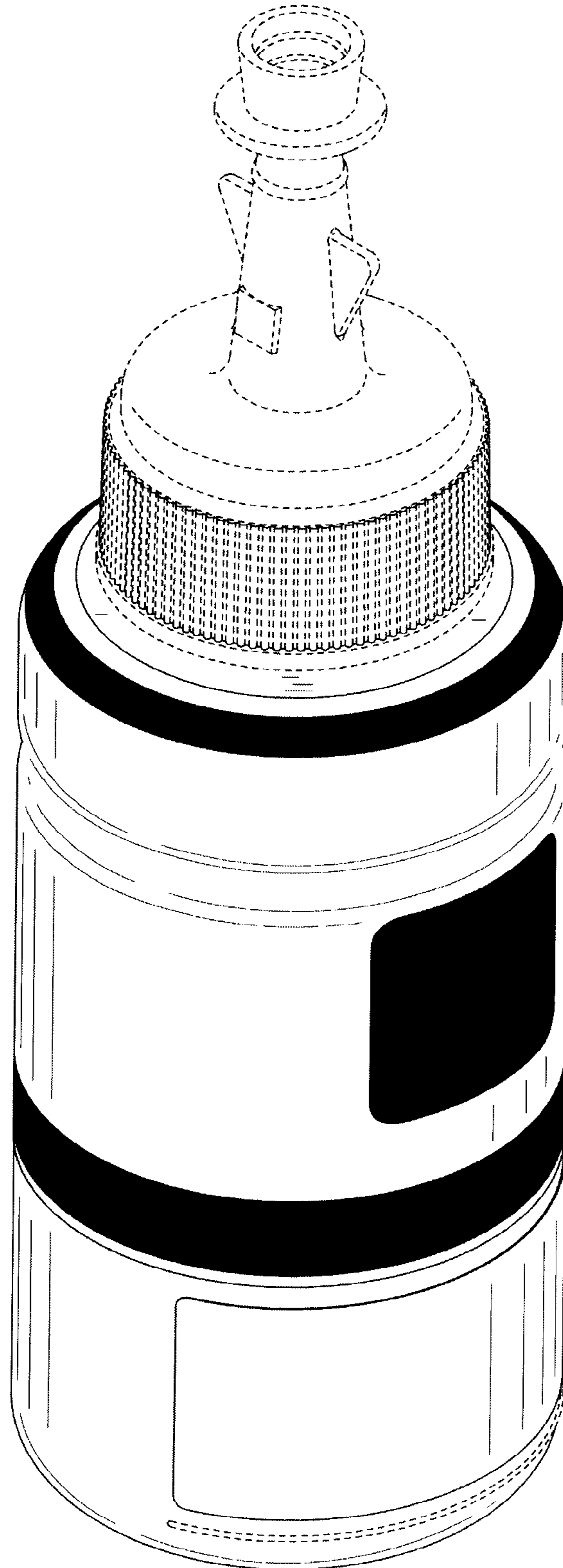
The features shown in broken lines in the drawings depict environmental subject matter only and form no part of the claimed design.

**1 Claim, 13 Drawing Sheets**

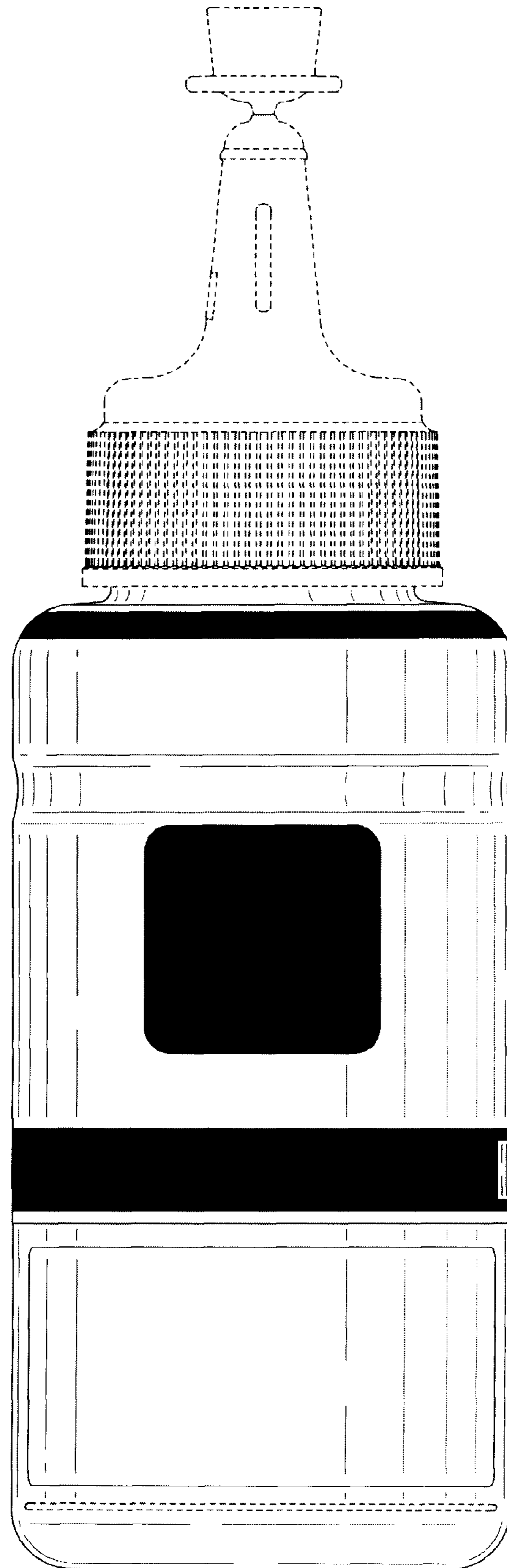




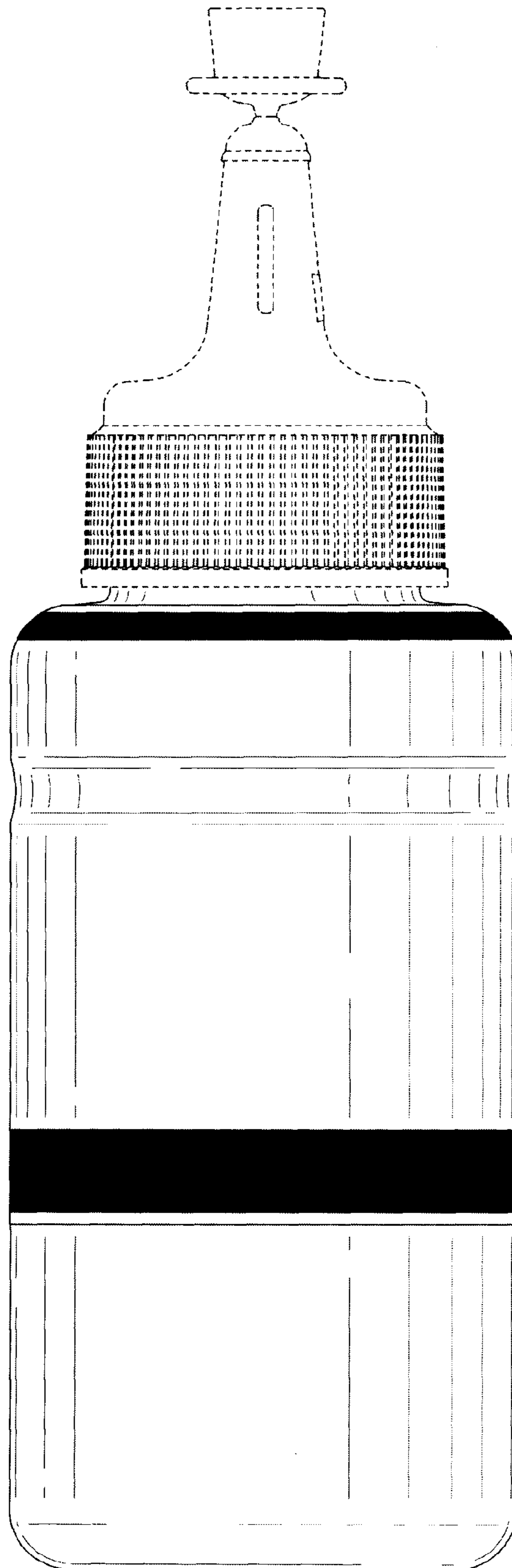
**Fig. 1**



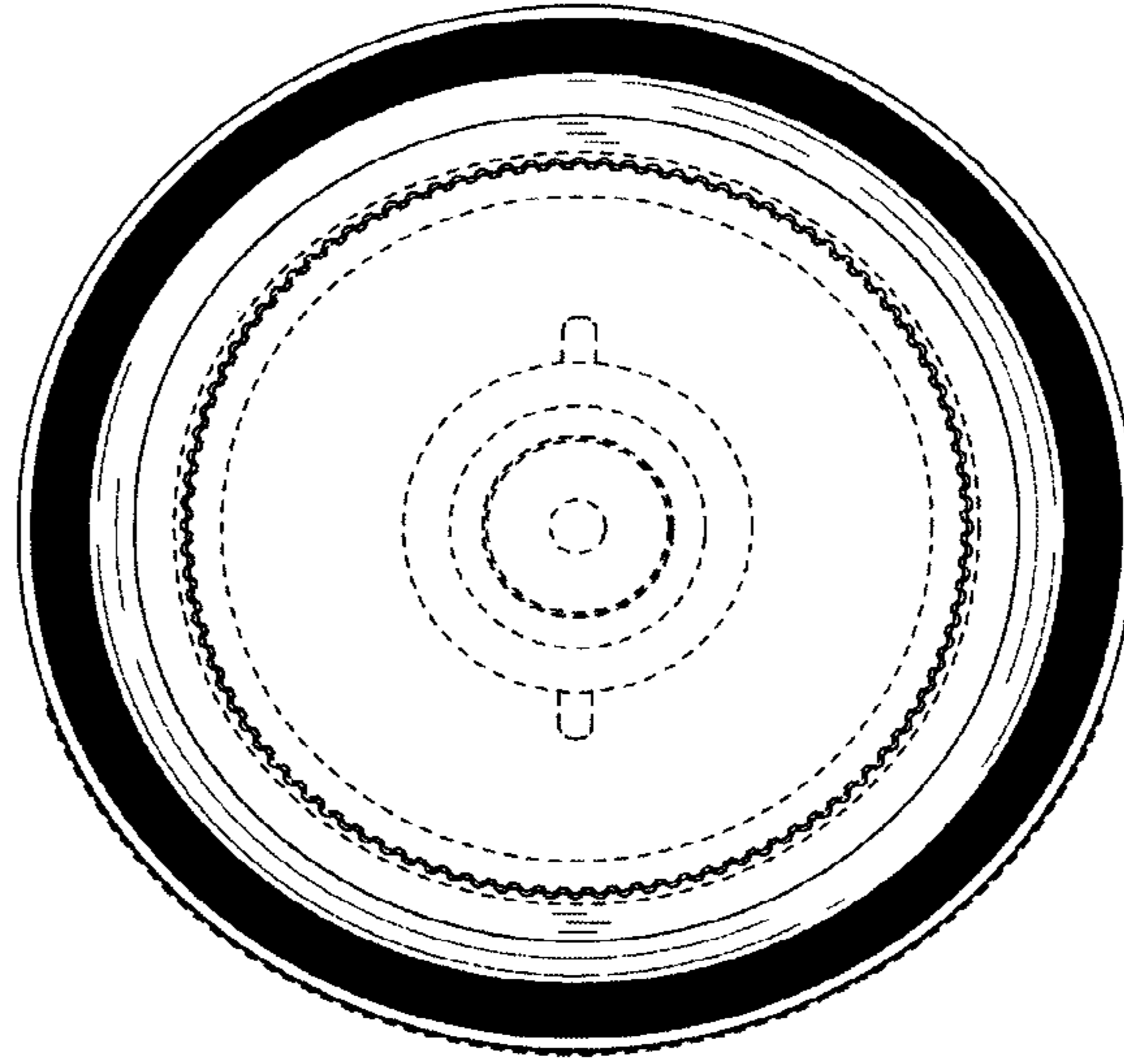
**Fig. 2**



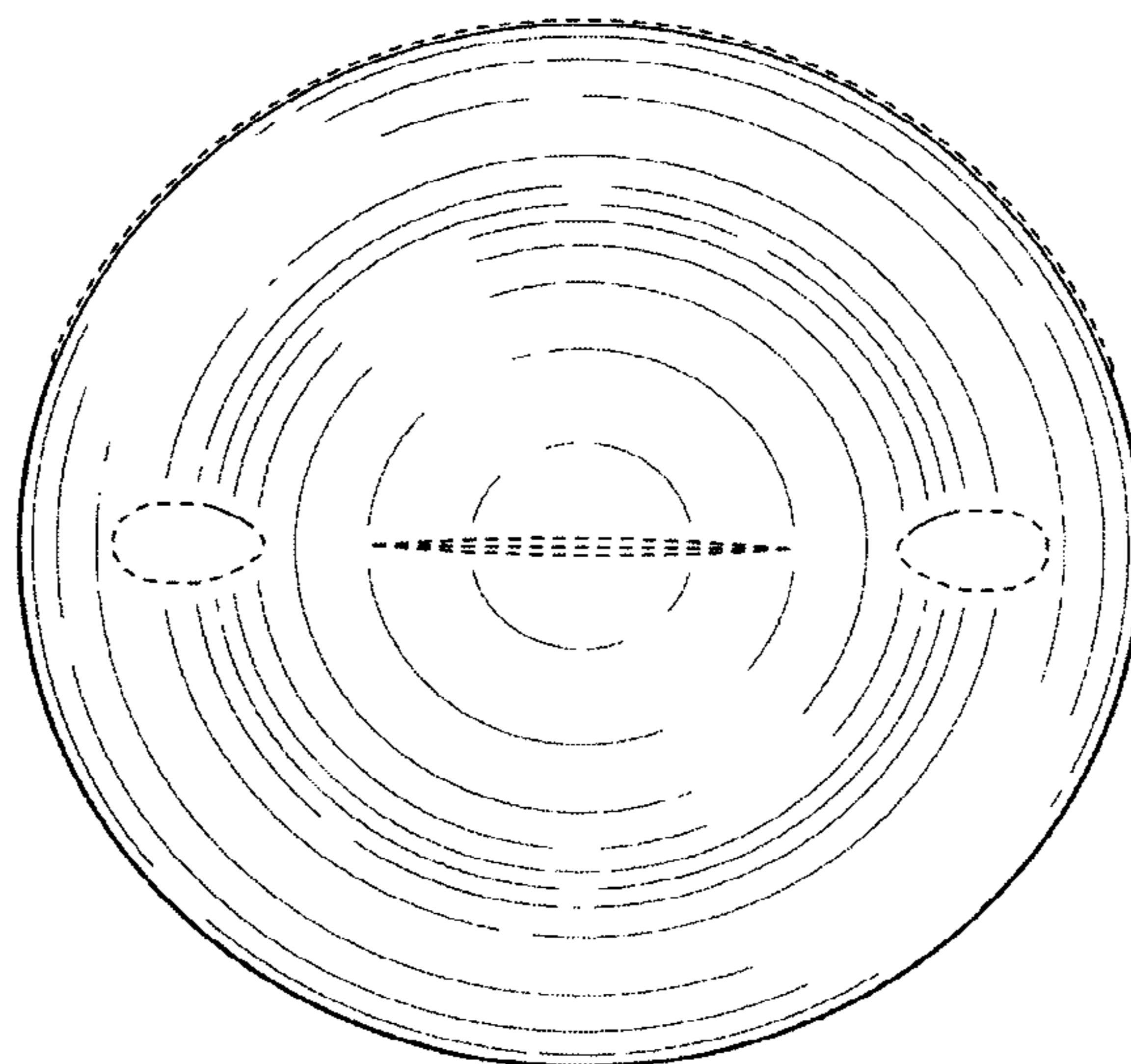
**Fig. 3**



**Fig. 4**



**Fig. 5**



**Fig. 6**

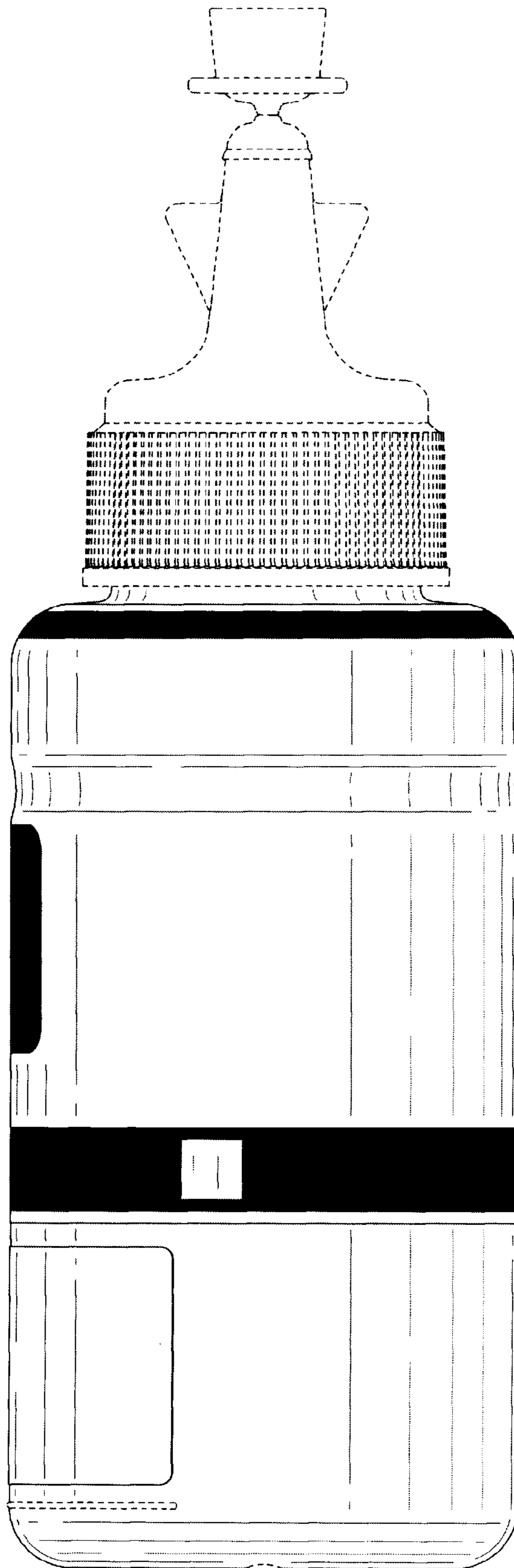
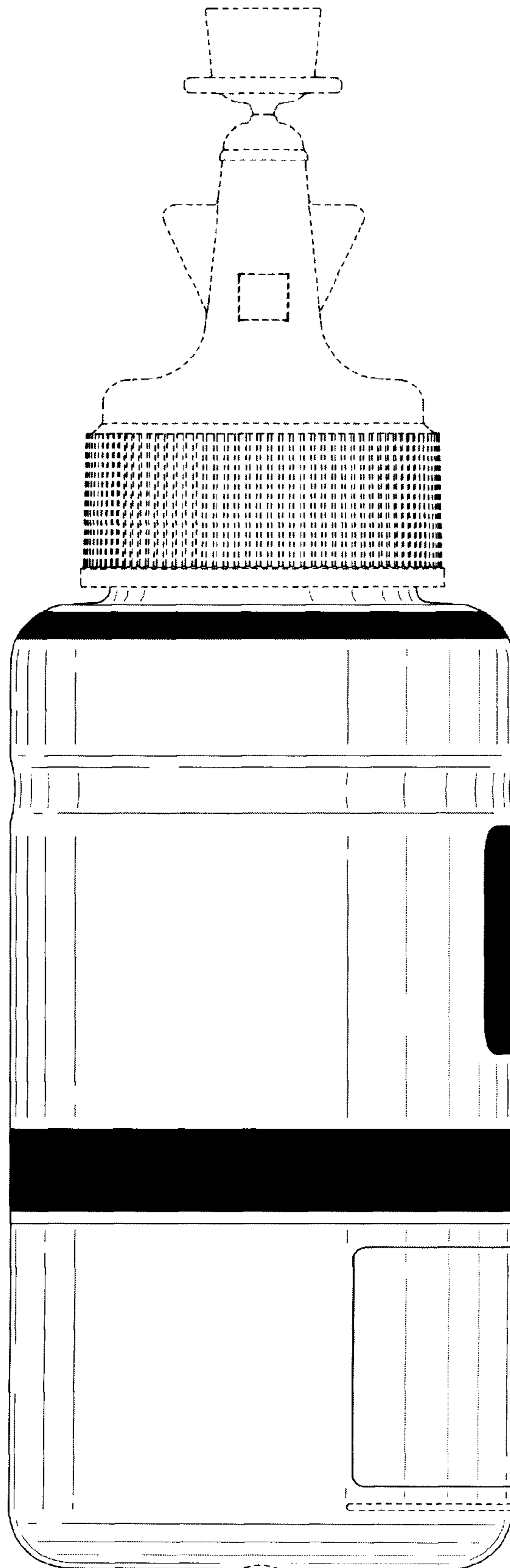
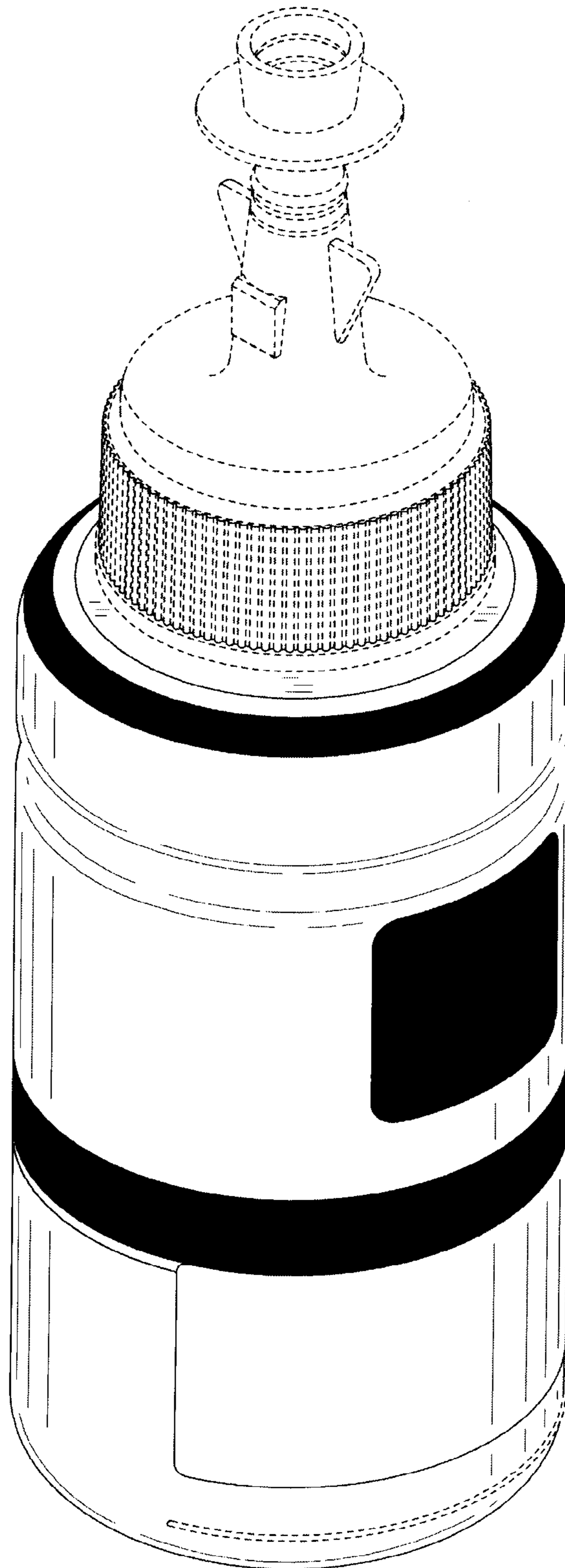


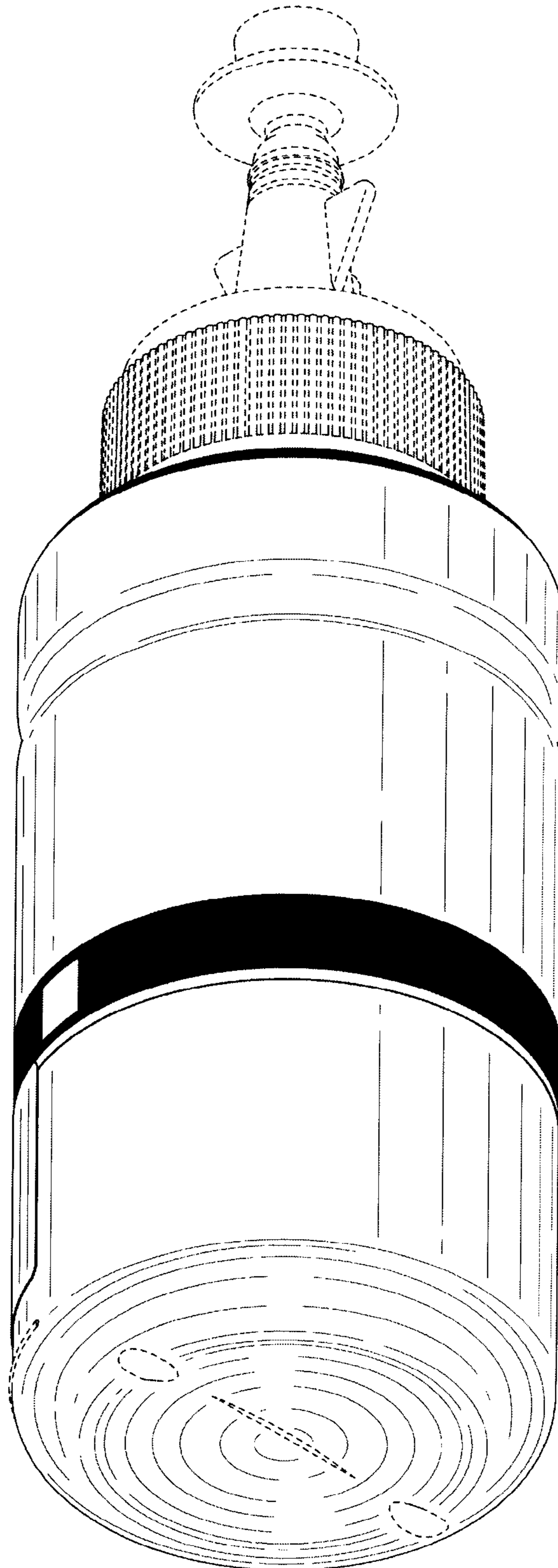
Fig. 7



**Fig. 8**

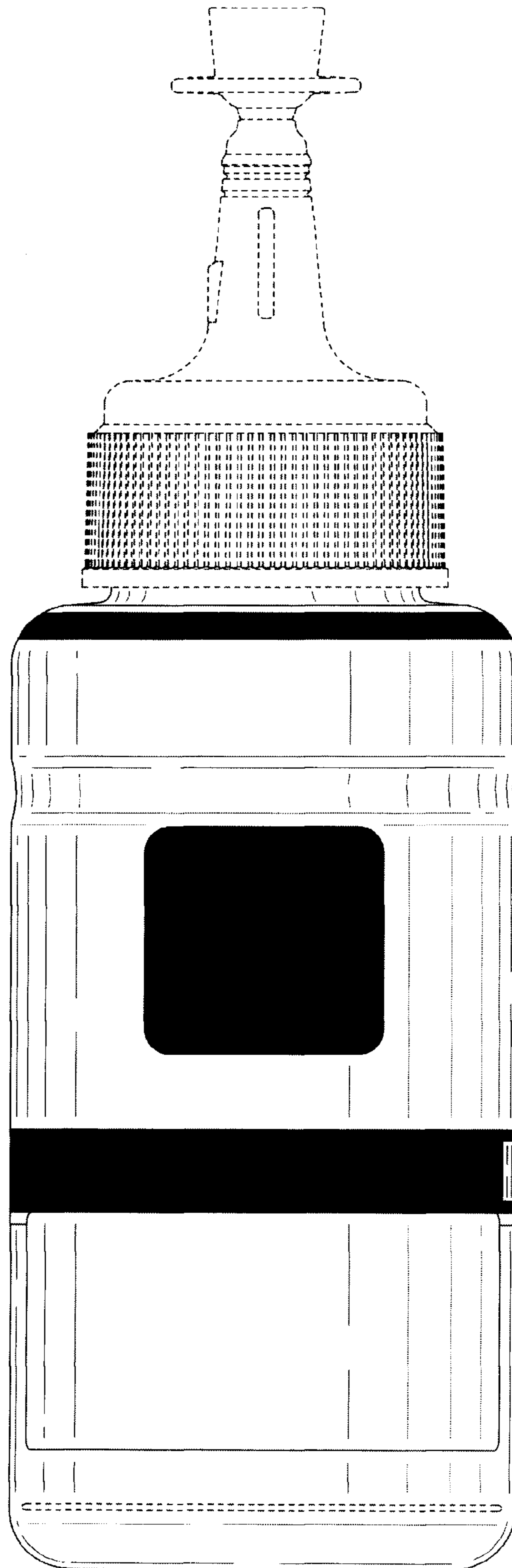


**Fig. 9**

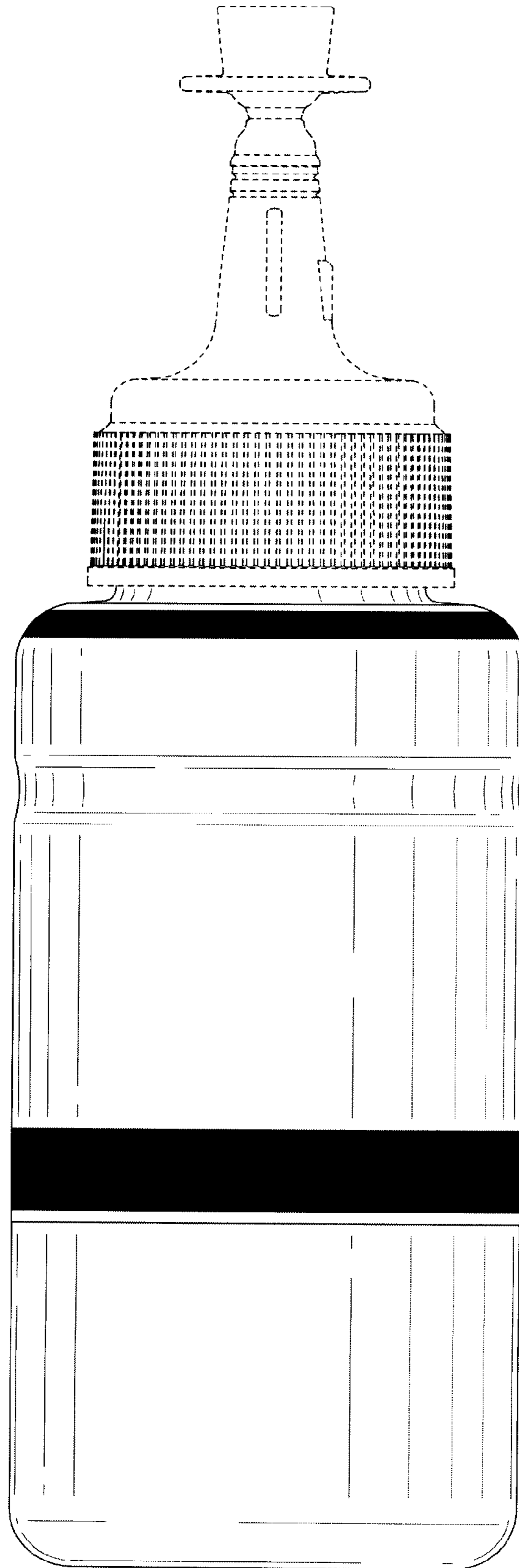




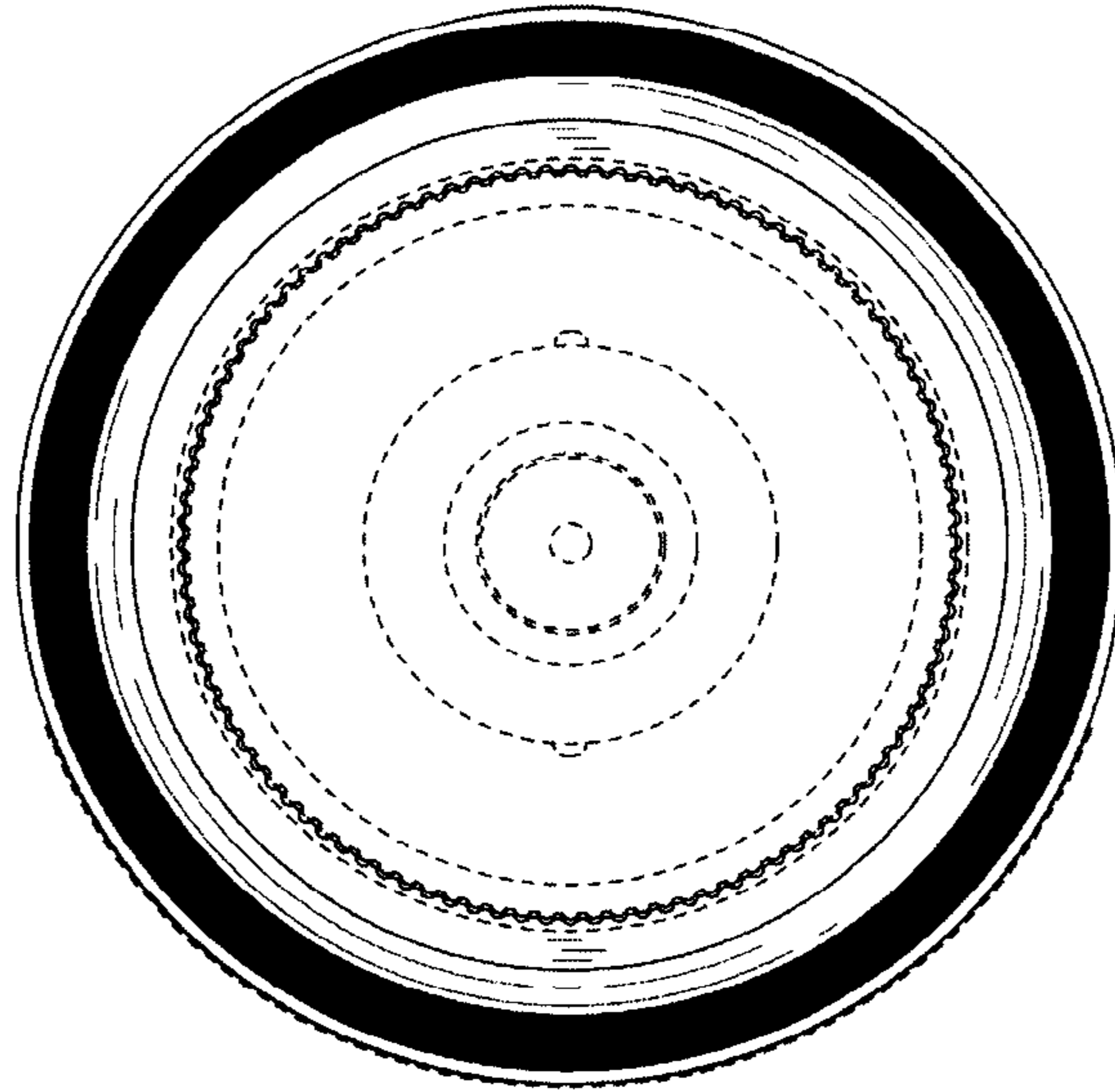
**Fig. 10**



**Fig. 11**



**Fig. 12**



**Fig. 13**

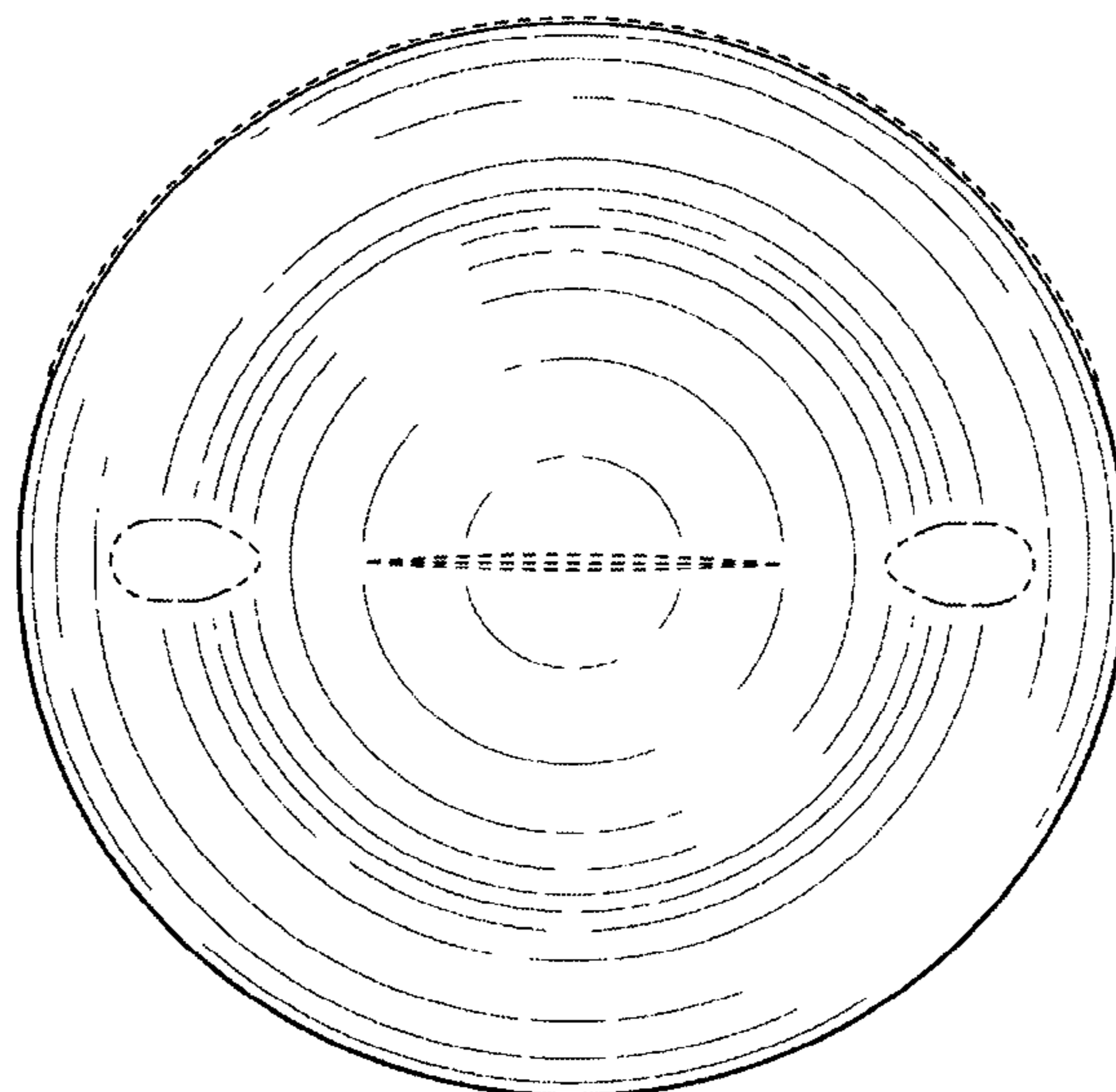
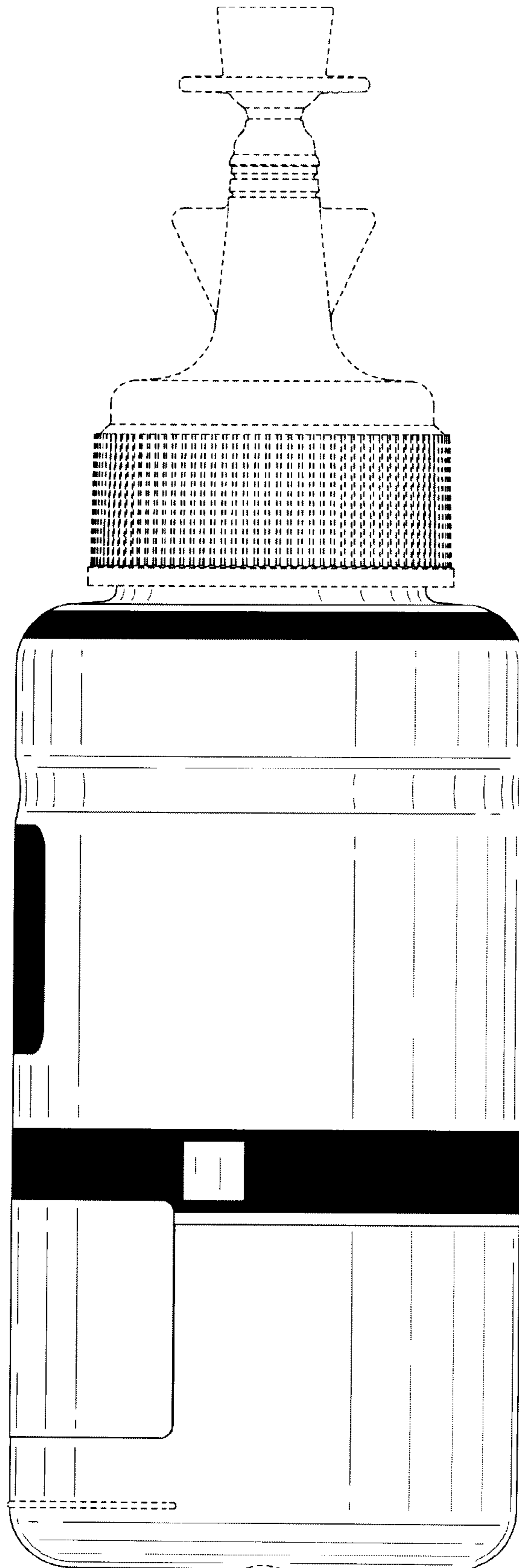


Fig. 14



**Fig. 15**

