



US00D653947S

(12) **United States Design Patent**
Arminak

(10) **Patent No.:** **US D653,947 S**

(45) **Date of Patent:** **** Feb. 14, 2012**

(54) **TRIGGER SPRAYER**

(75) Inventor: **Armin Arminak**, Azusa, CA (US)

(73) Assignee: **Arminak & Associates, Inc.**, Azusa, CA (US)

(**) Term: **14 Years**

(21) Appl. No.: **29/391,511**

(22) Filed: **May 10, 2011**

Related U.S. Application Data

(63) Continuation of application No. 29/379,812, filed on Nov. 24, 2010.

(51) **LOC (9) Cl.** **09-07**

(52) **U.S. Cl.** **D9/448**

(58) **Field of Classification Search** D9/685,
D9/682, 456, 448, 447, 435, 434, 415; D23/227,
D23/226, 213; 222/556-557, 402.13, 383.1,
222/281, 251, 182

See application file for complete search history.

References Cited

U.S. PATENT DOCUMENTS

5,228,600	A	7/1993	Steinjs et al.	
D352,546	S	11/1994	Silvenis et al.	
5,366,121	A	11/1994	Foster et al.	
D354,226	S	1/1995	Foster et al.	
D366,692	S	* 1/1996	Wadsworth D23/213
5,482,186	A	1/1996	Rodden, Jr.	
D377,602	S	1/1997	Wadsworth	
D381,581	S	7/1997	Wadsworth	
5,687,880	A	11/1997	Maas et al.	
5,706,984	A	1/1998	Tada et al.	
D400,102	S	10/1998	Tada	
5,819,989	A	10/1998	Saraceni	

D409,487	S	5/1999	Wadsworth	
D409,915	S	5/1999	Durliat et al.	
D409,917	S	5/1999	Wadsworth	
D409,918	S	5/1999	Wadsworth	
D419,875	S	* 2/2000	Wadsworth et al. D9/448
D421,388	S	* 3/2000	Cummings D9/448
D424,939	S	5/2000	Fan et al.	
D435,448	S	12/2000	Trepina et al.	
D454,787	S	* 3/2002	Cummings D9/448
D456,262	S	* 4/2002	Cummings D9/448
D494,866	S	* 8/2004	Guala D9/448
D508,852	S	8/2005	Arminak	
D520,872	S	5/2006	Paas et al.	
D541,652	S	5/2007	Arminak	
D570,215	S	6/2008	Arminak	
D570,216	S	6/2008	Arminak	

(Continued)

Primary Examiner — Susan Bennett Hattan

(74) *Attorney, Agent, or Firm* — Cisló & Thomas, LLP

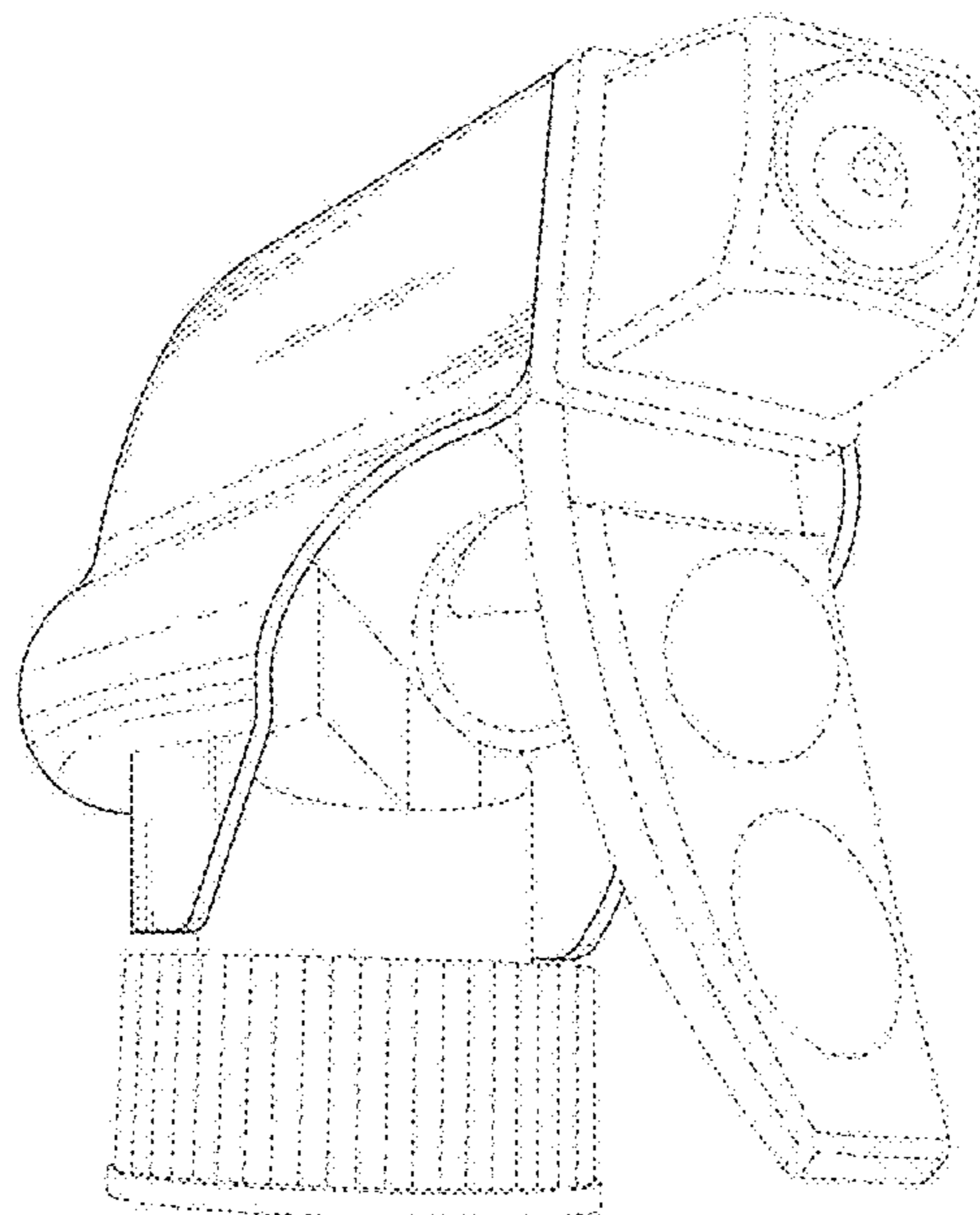
(57) **CLAIM**

The ornamental design for a trigger sprayer, as shown and described.

DESCRIPTION

FIG. 1 is a front perspective view of the trigger sprayer. FIG. 2 is a rear perspective view of the trigger sprayer. FIG. 3 is a front view of the trigger sprayer. FIG. 4 is a rear view of the trigger sprayer. FIG. 5 is a right side view of the trigger sprayer. FIG. 6 is a left side view of the trigger sprayer, FIG. 7 is a top view of the trigger sprayer; and, FIG. 8 is a bottom view of the trigger sprayer. The broken line portions of the disclosure are to illustrate environmental structure and form no part of the claimed design.

1 Claim, 8 Drawing Sheets



US D653,947 S

Page 2

U.S. PATENT DOCUMENTS

D582,768 S	*	12/2008	Cantoni et al.	D9/448	D583,233 S	*	12/2008	Cantoni et al.	D9/448
D582,769 S	*	12/2008	Turchi	D9/448	D587,574 S	*	3/2009	Cantoni et al.	D9/448
D582,770 S	*	12/2008	Turchi	D9/448	D625,187 S	*	10/2010	McCay et al.	D9/448
D582,771 S	*	12/2008	Cantoni	D9/448	2003/0098368 A1		5/2003	Foster et al.	

* cited by examiner

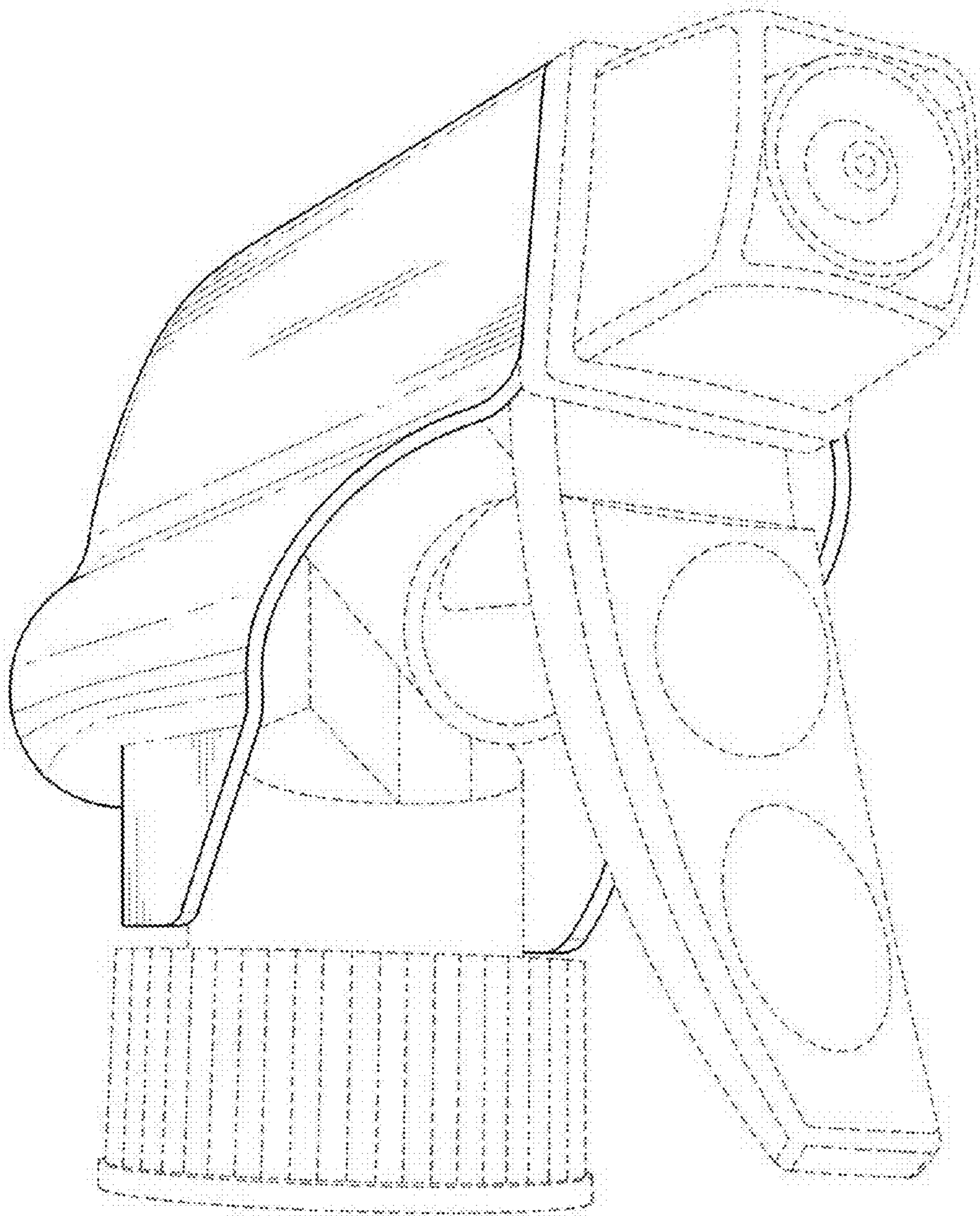


FIG. 1

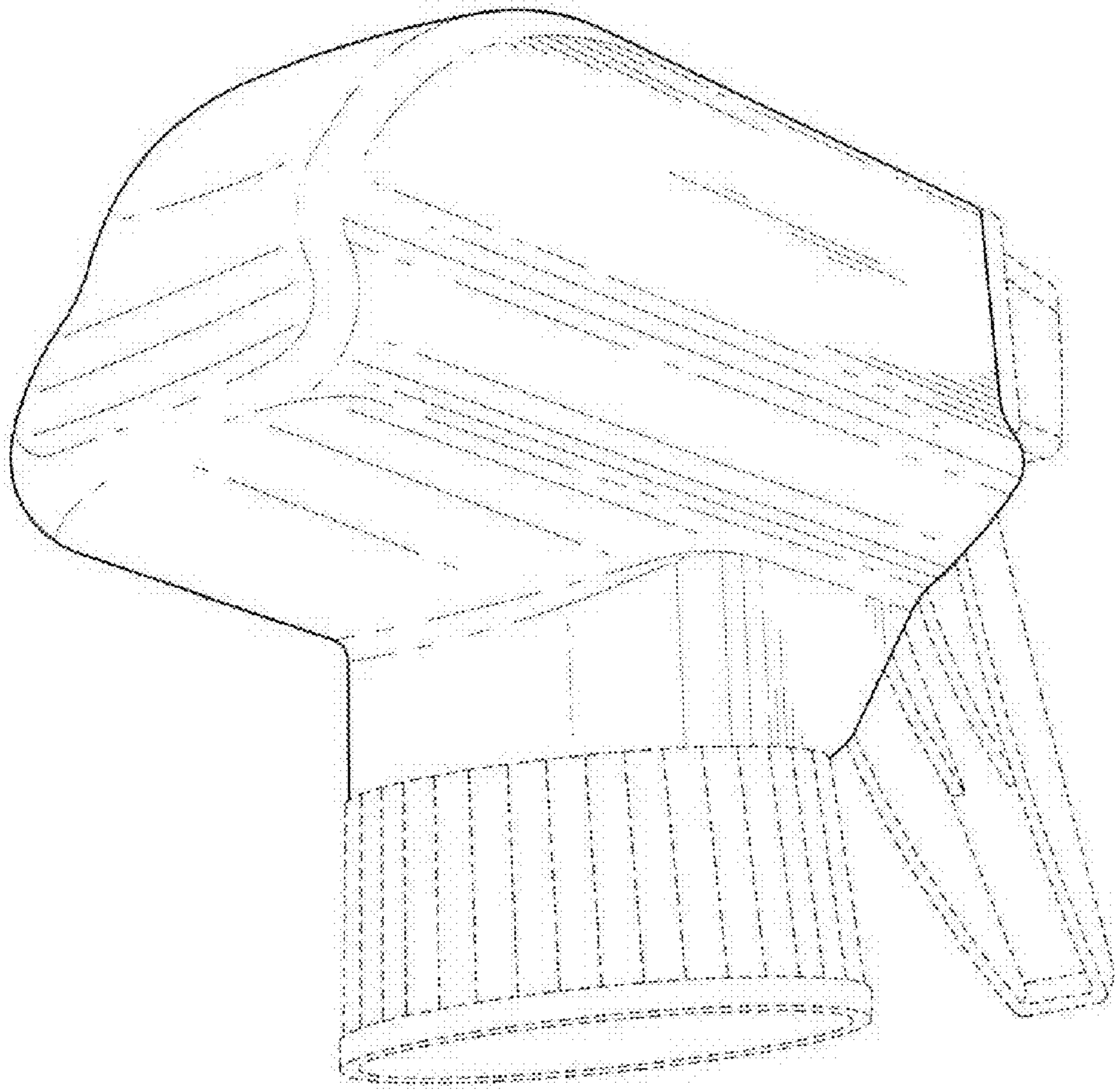


FIG. 2

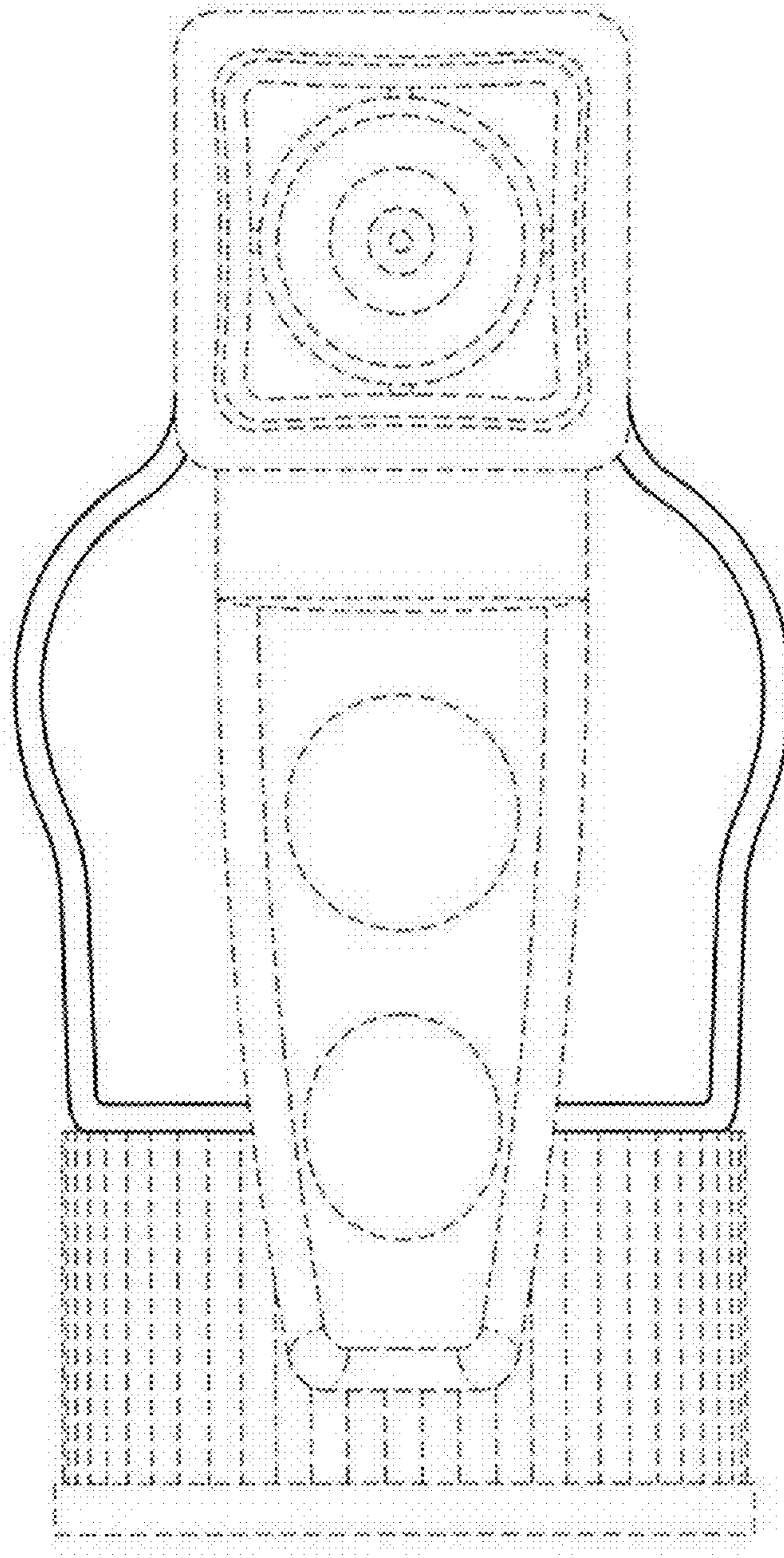


FIG. 3

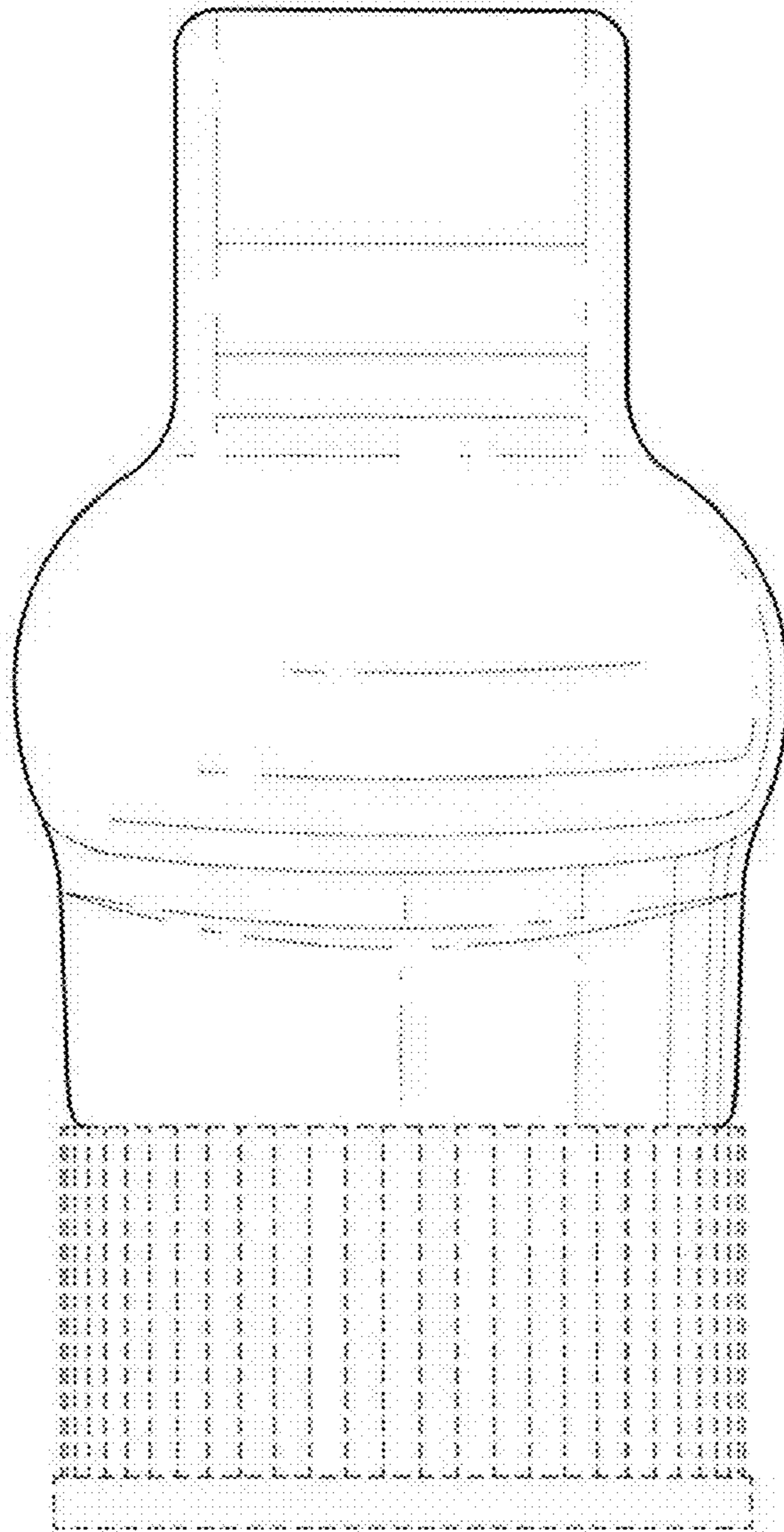


FIG. 4

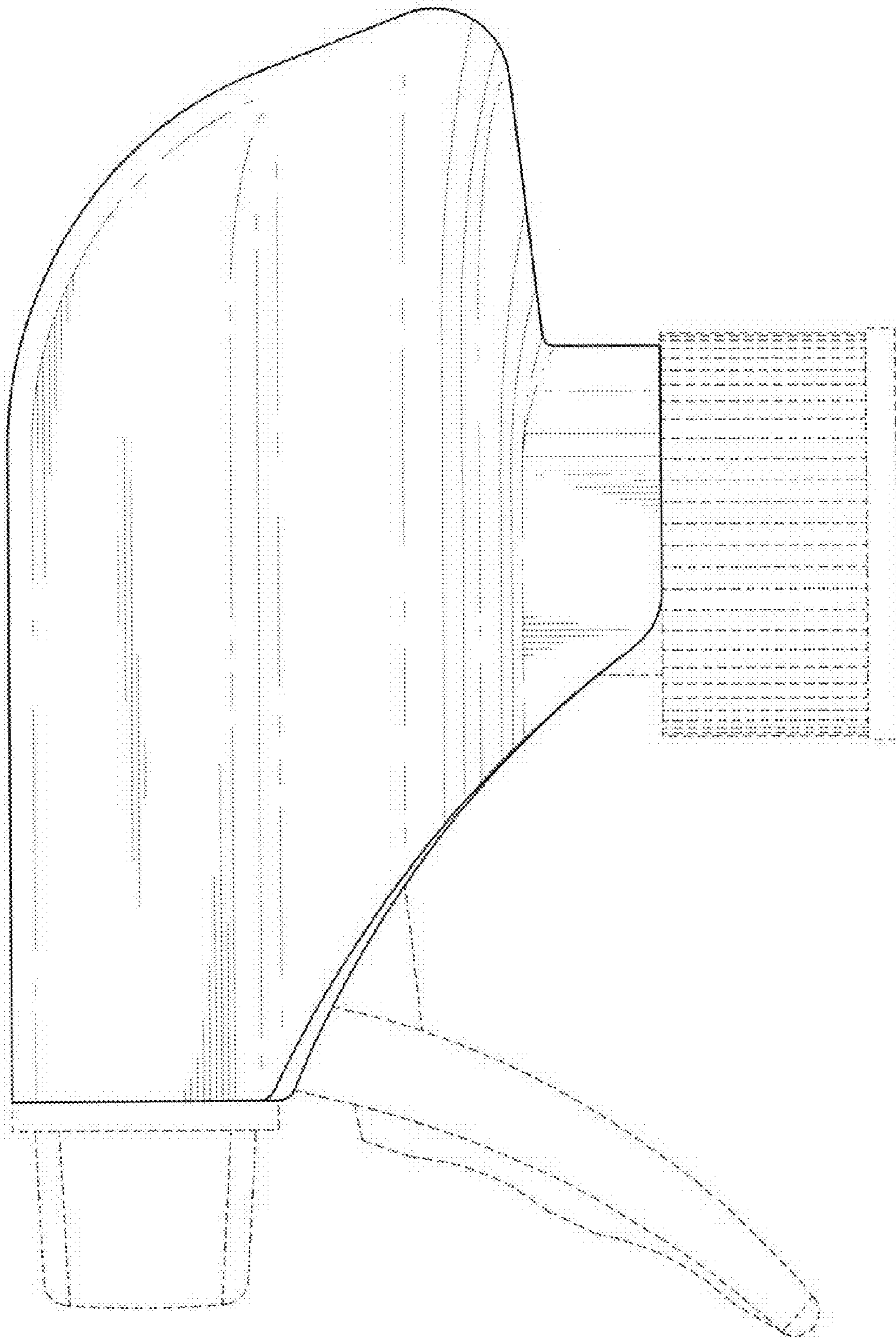


FIG. 5

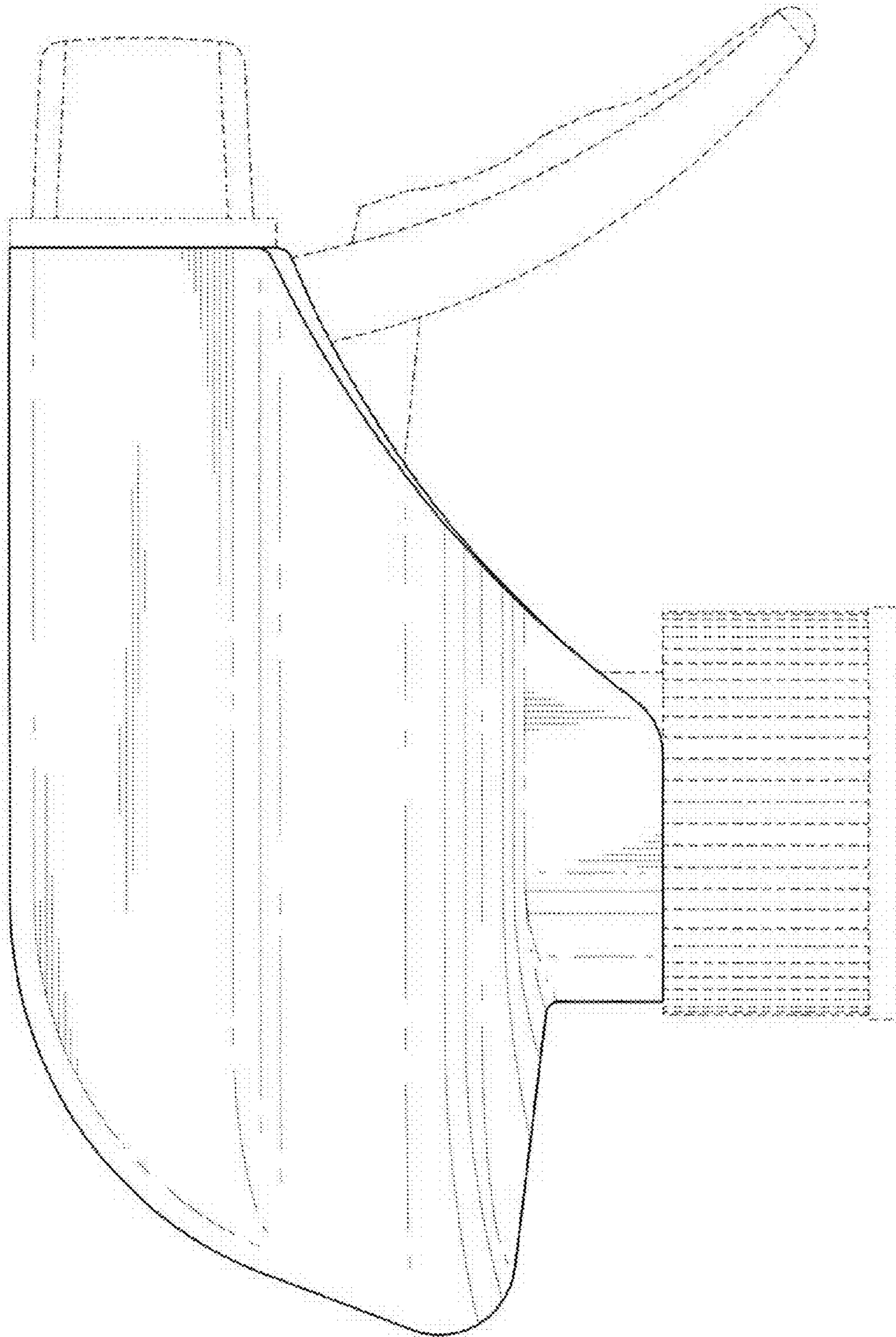


FIG. 6

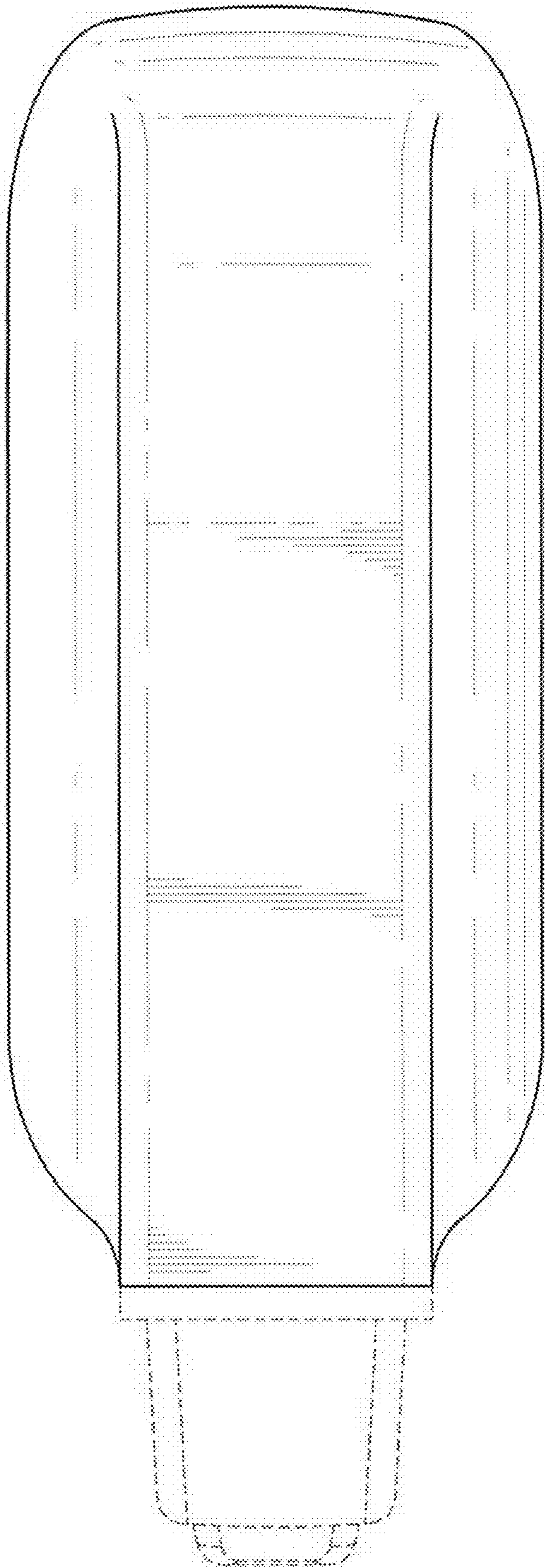


FIG. 7

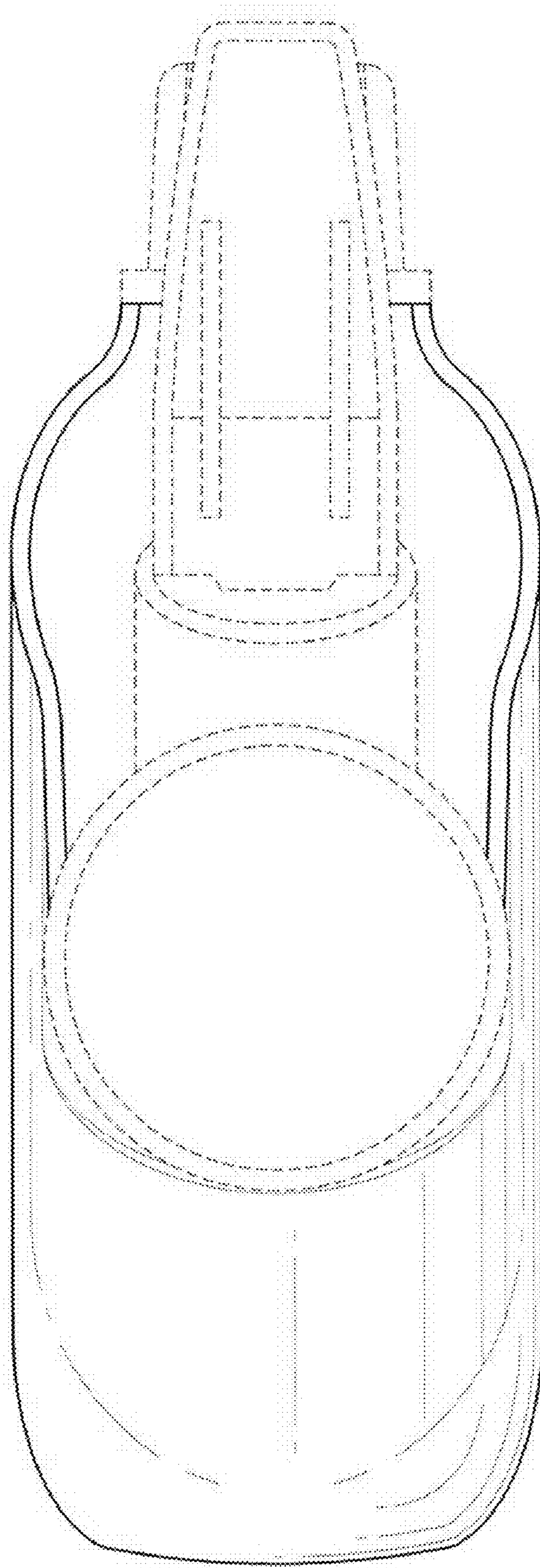


FIG. 8