



US00D653946S

(12) **United States Design Patent**
Arminak

(10) **Patent No.:** **US D653,946 S**
(45) **Date of Patent:** **** Feb. 14, 2012**

(54) **TRIGGER SPRAYER**
(75) Inventor: **Armin Arminak**, Azusa, CA (US)
(73) Assignee: **Arminak & Associates, Inc.**, Azusa, CA (US)
(**) Term: **14 Years**
(21) Appl. No.: **29/379,812**
(22) Filed: **Nov. 24, 2010**
(51) **LOC (9) Cl.** **09-07**
(52) **U.S. Cl.** **D9/448**
(58) **Field of Classification Search** D9/685,
D9/682, 456, 448, 447, 435, 434, 415; D23/227,
D23/226, 213; 222/556-557, 402.13, 383.1,
222/281, 251, 182
See application file for complete search history.

D424,939 S 5/2000 Fan et al.
D435,448 S 12/2000 Trepina et al.
D454,787 S * 3/2002 Cummings D9/448
D456,262 S * 4/2002 Cummings D9/448
D494,866 S * 8/2004 Guala D9/448
D508,852 S 8/2005 Arminak
D520,872 S 5/2006 Paas et al.
D541,652 S 5/2007 Arminak
D570,215 S 6/2008 Arminak
D570,216 S 6/2008 Arminak
D582,768 S * 12/2008 Cantoni et al. D9/448
D582,769 S * 12/2008 Turchi D9/448
D582,770 S * 12/2008 Turchi D9/448
D582,771 S * 12/2008 Cantoni D9/448
D583,233 S * 12/2008 Cantoni et al. D9/448
D587,574 S * 3/2009 Cantoni et al. D9/448
D625,187 S * 10/2010 McCay et al. D9/448
2003/0098368 A1 5/2003 Foster et al.

* cited by examiner

Primary Examiner — Susan Bennett Hattan
(74) *Attorney, Agent, or Firm* — Cislo & Thomas, LLP

(56) **References Cited**

U.S. PATENT DOCUMENTS

5,228,600 A 7/1993 Steinjs et al.
D352,546 S 11/1994 Silvenis et al.
5,366,121 A 11/1994 Foster et al.
D354,226 S 1/1995 Foster et al.
D366,692 S * 1/1996 Wadsworth D23/213
5,482,186 A 1/1996 Rodden, Jr.
D377,602 S 1/1997 Wadsworth
D381,581 S 7/1997 Wadsworth
5,687,880 A 11/1997 Maas et al.
5,706,984 A 1/1998 Tada et al.
D400,102 S 10/1998 Tada
5,819,989 A 10/1998 Saraceni
D409,487 S 5/1999 Wadsworth
D409,915 S 5/1999 Durliat et al.
D409,917 S 5/1999 Wadsworth
D409,918 S 5/1999 Wadsworth
D419,875 S * 2/2000 Wadsworth et al. D9/448
D421,388 S * 3/2000 Cummings D9/448

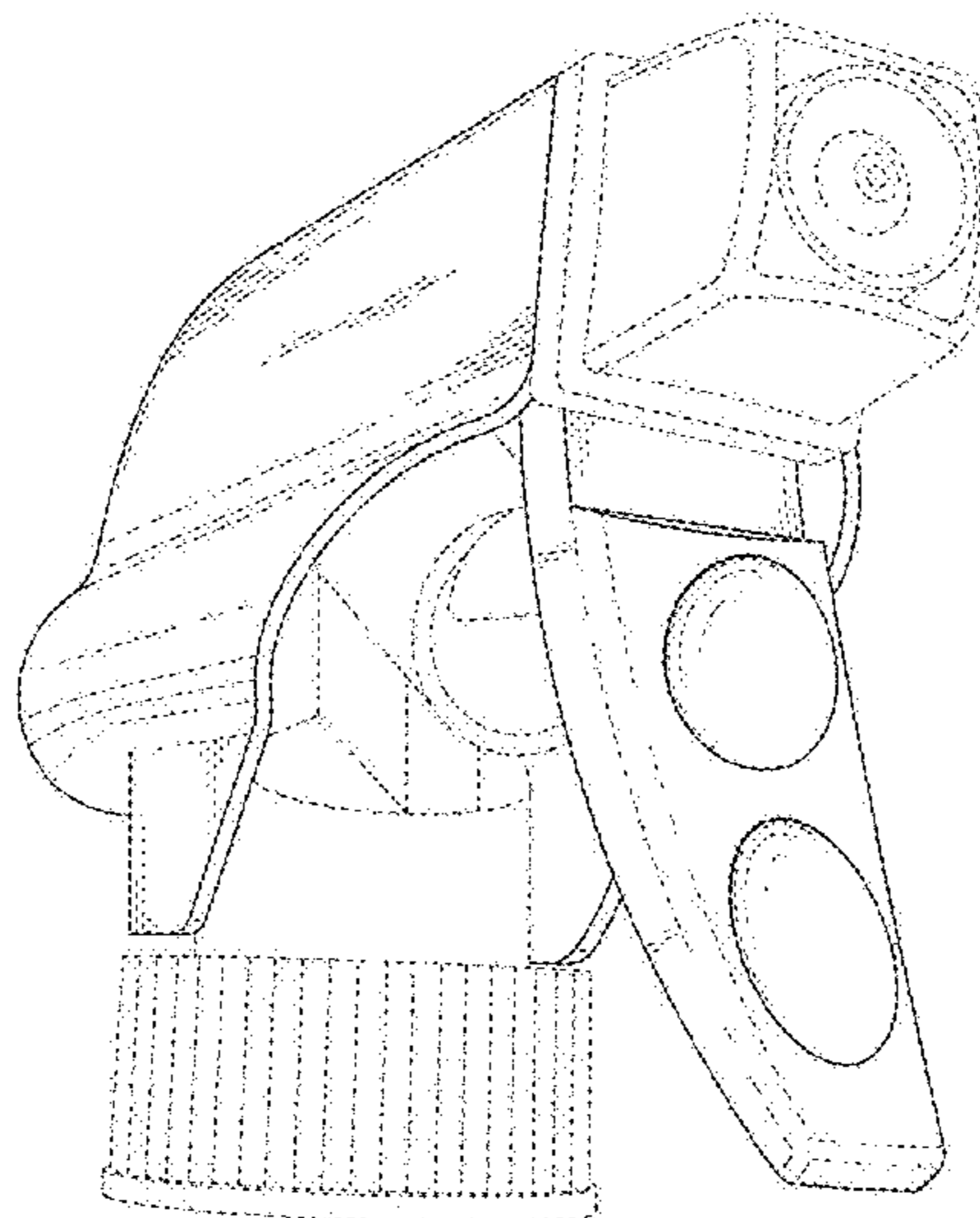
(57) **CLAIM**

The ornamental design for a trigger sprayer, as shown and described.

DESCRIPTION

FIG. 1 is a front perspective view of the trigger sprayer.
FIG. 2 is a rear perspective view of the trigger sprayer.
FIG. 3 is a front view of the trigger sprayer.
FIG. 4 is a rear view of the trigger sprayer.
FIG. 5 is a right side view of the trigger sprayer.
FIG. 6 is a left side view of the trigger sprayer.
FIG. 7 is a top view of the trigger sprayer; and,
FIG. 8 is a bottom view of the trigger sprayer.
The broken line portions of the disclosure are to illustrate environmental structure and form no part of the claimed design.

1 Claim, 8 Drawing Sheets



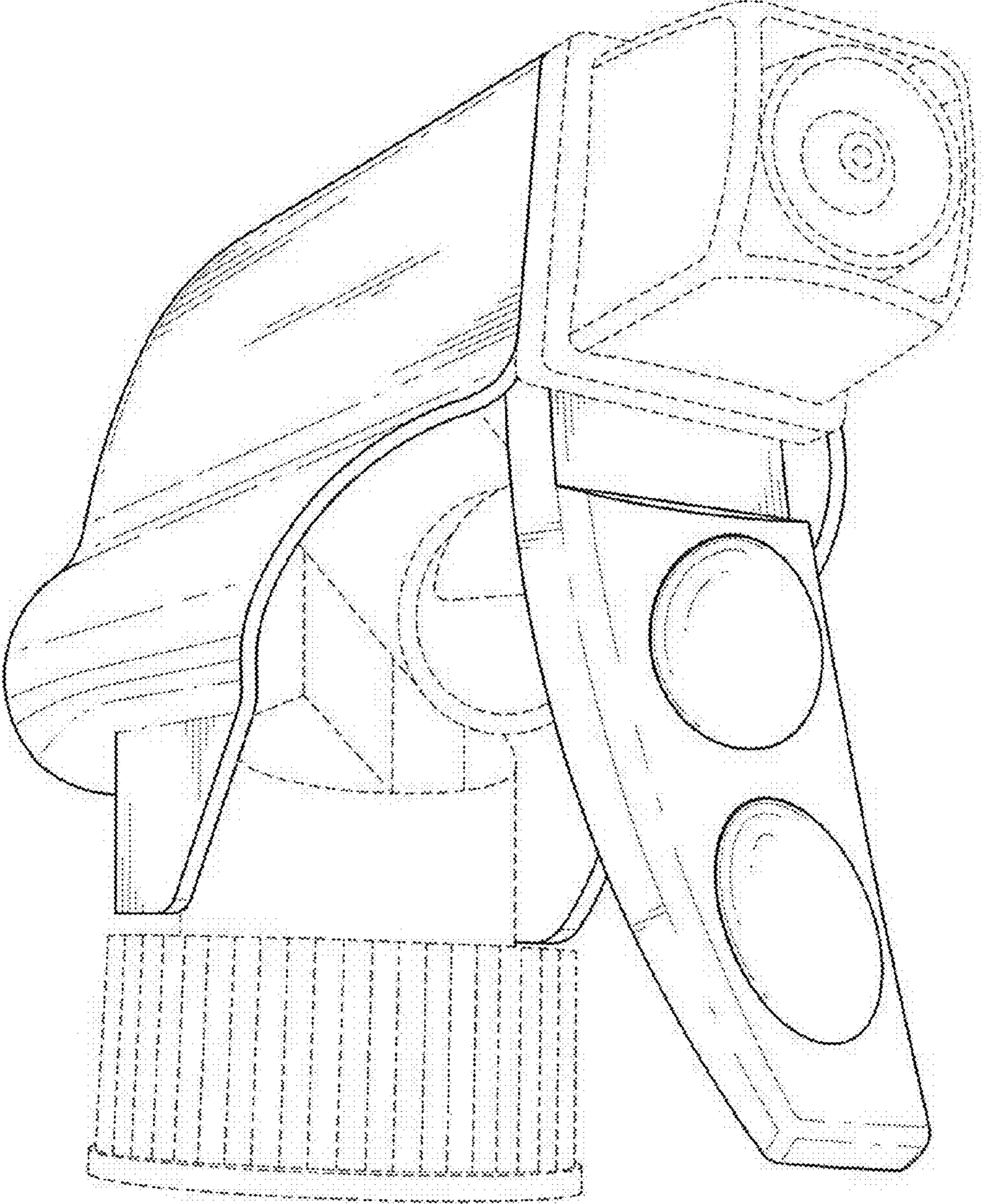


FIG. 1

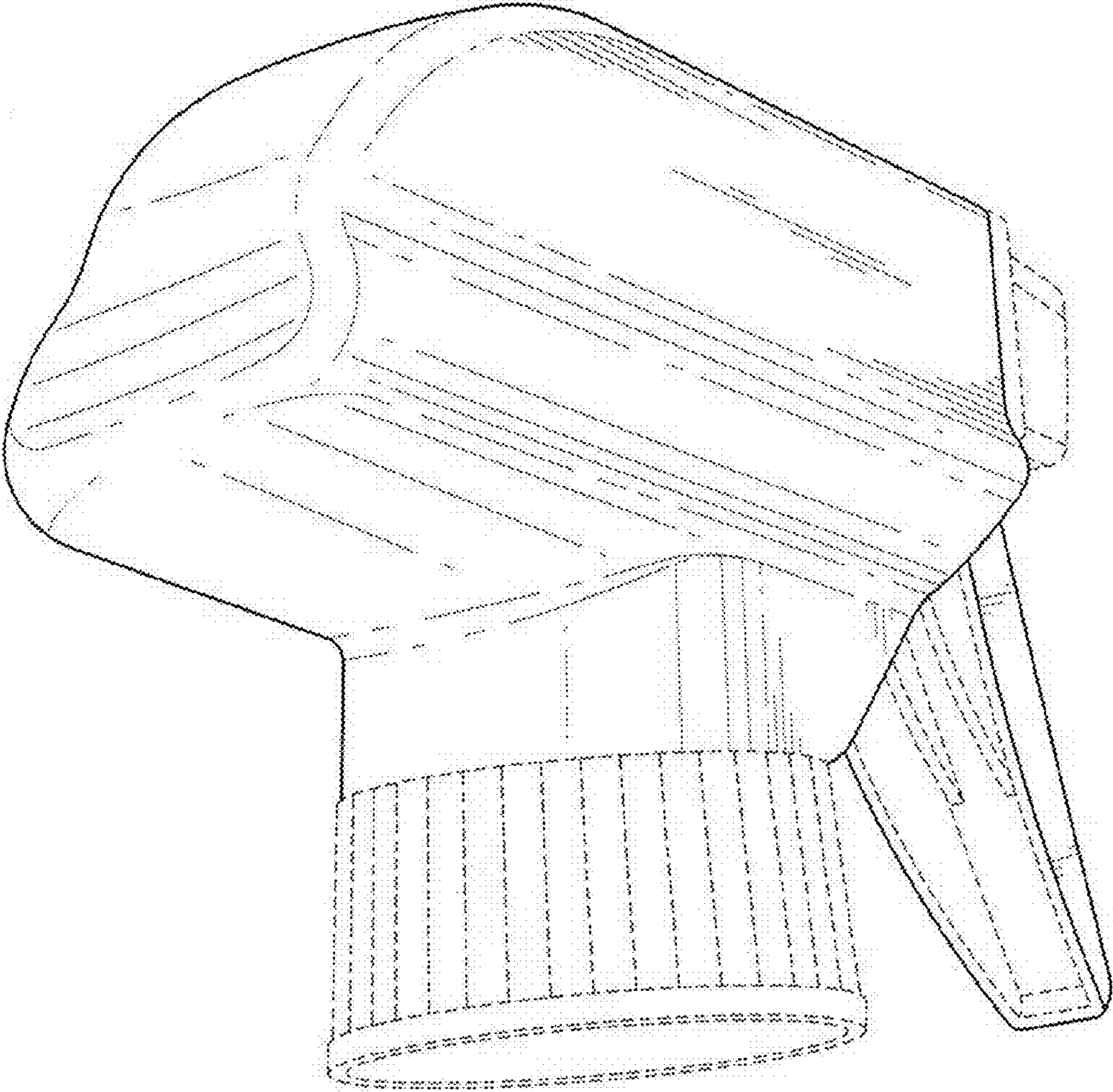


FIG. 2

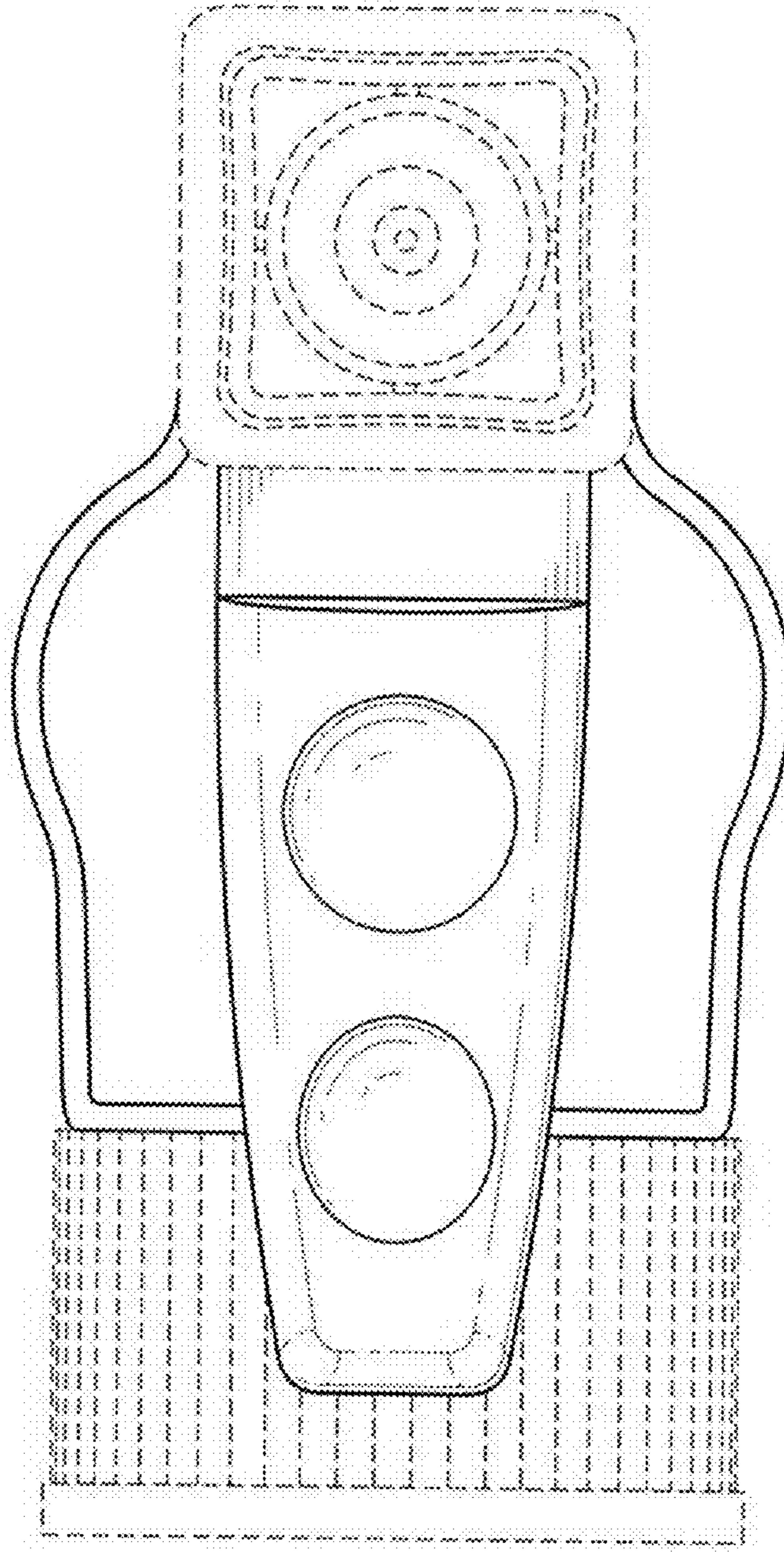


FIG. 3

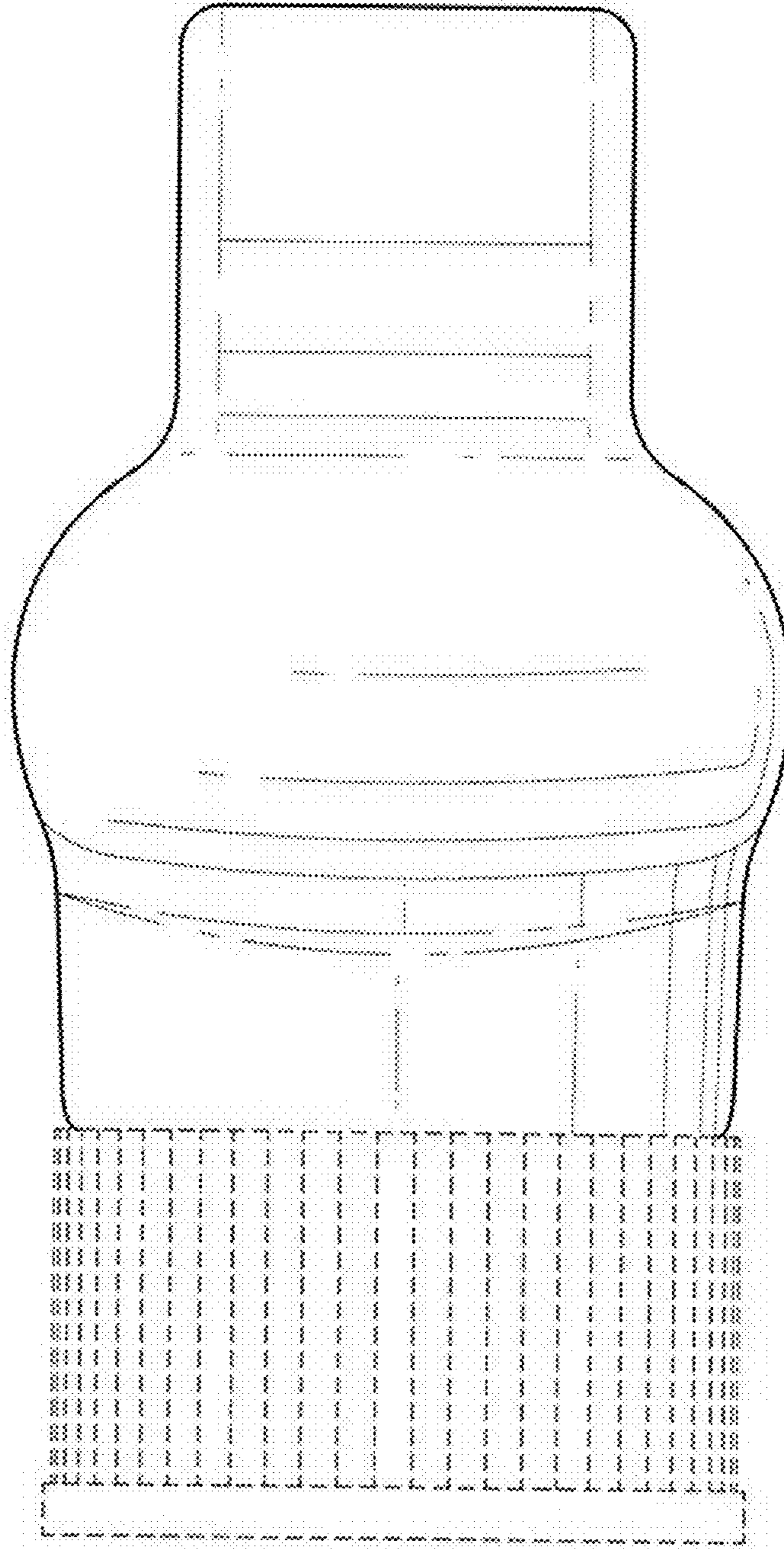


FIG. 4

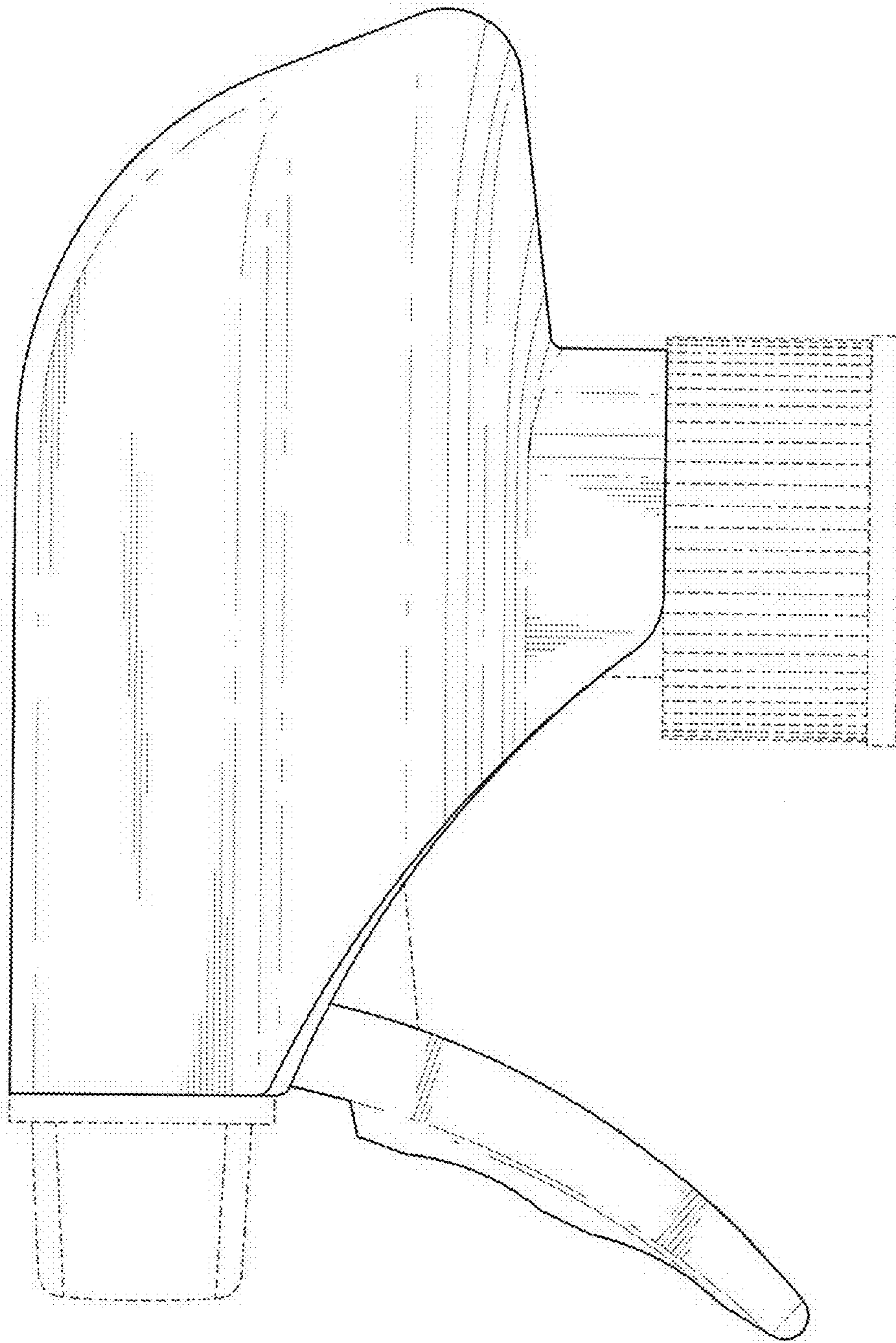


FIG. 5

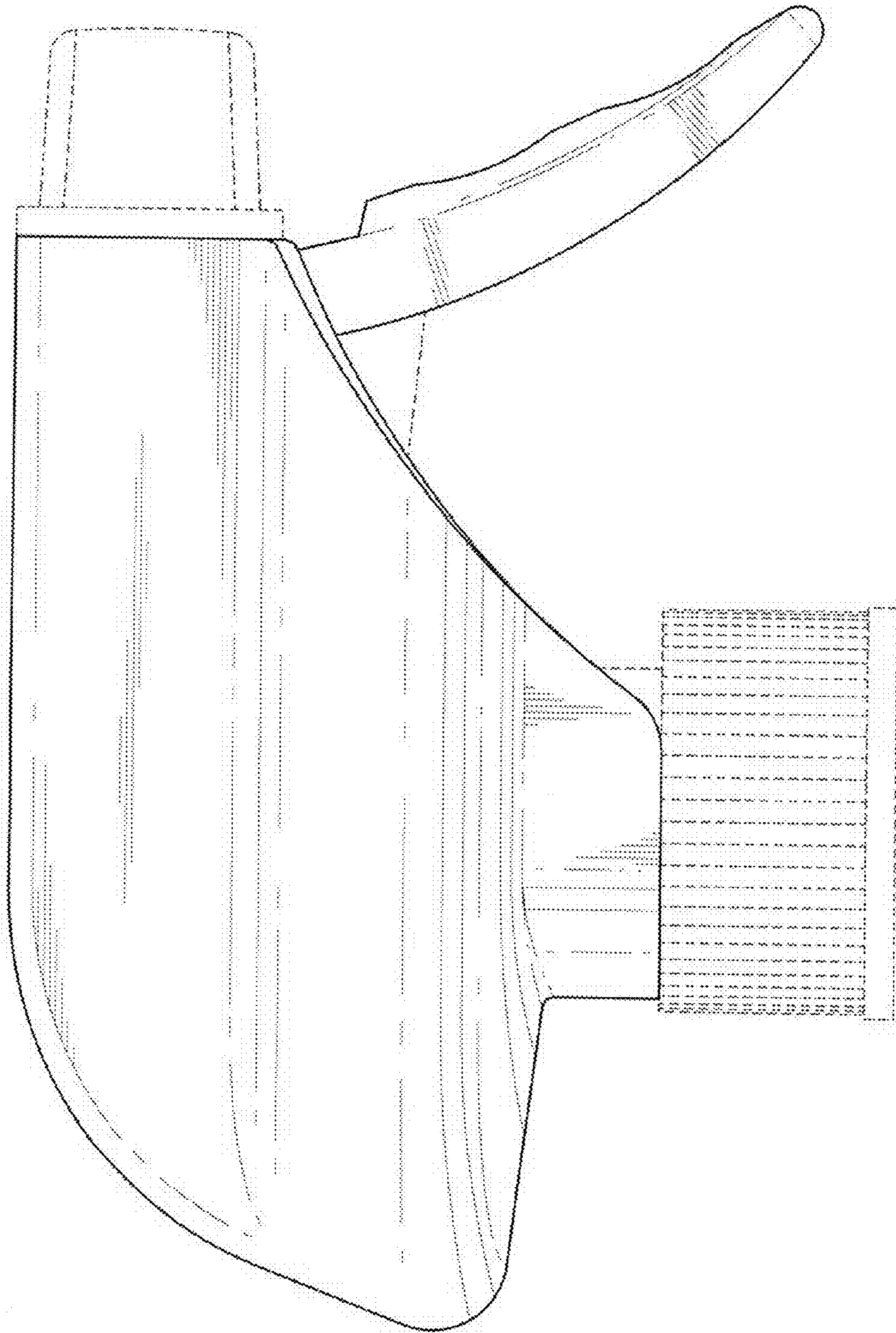


FIG. 6

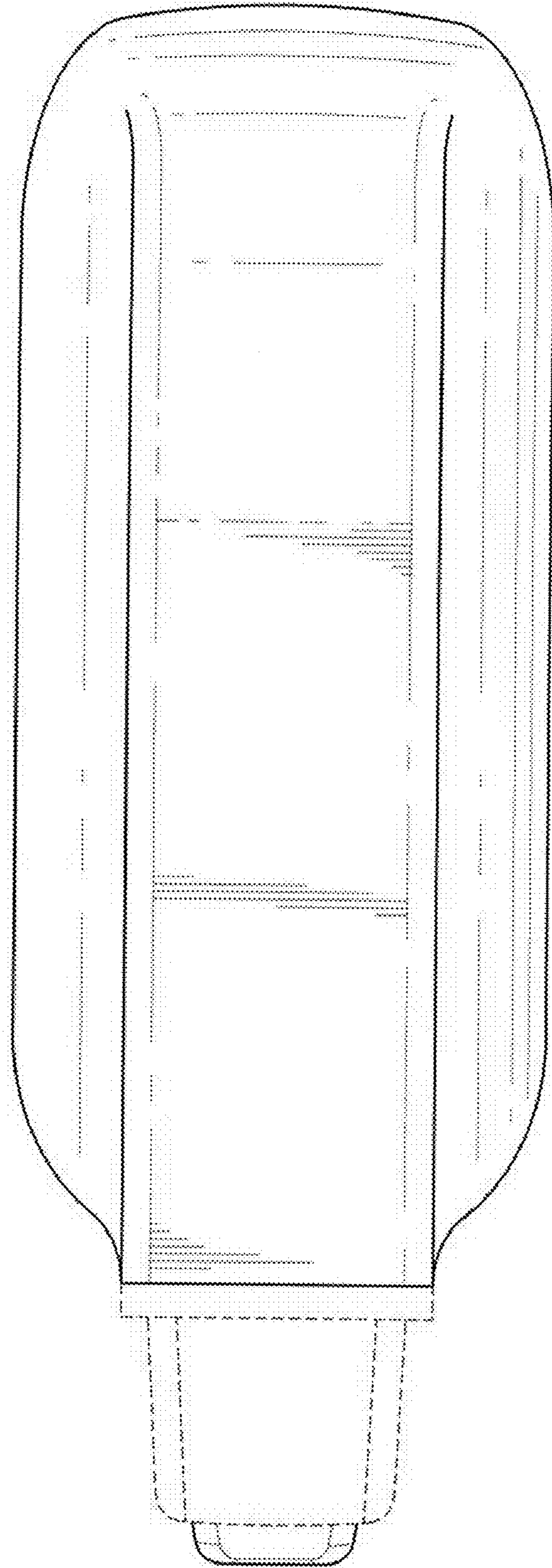


FIG. 7

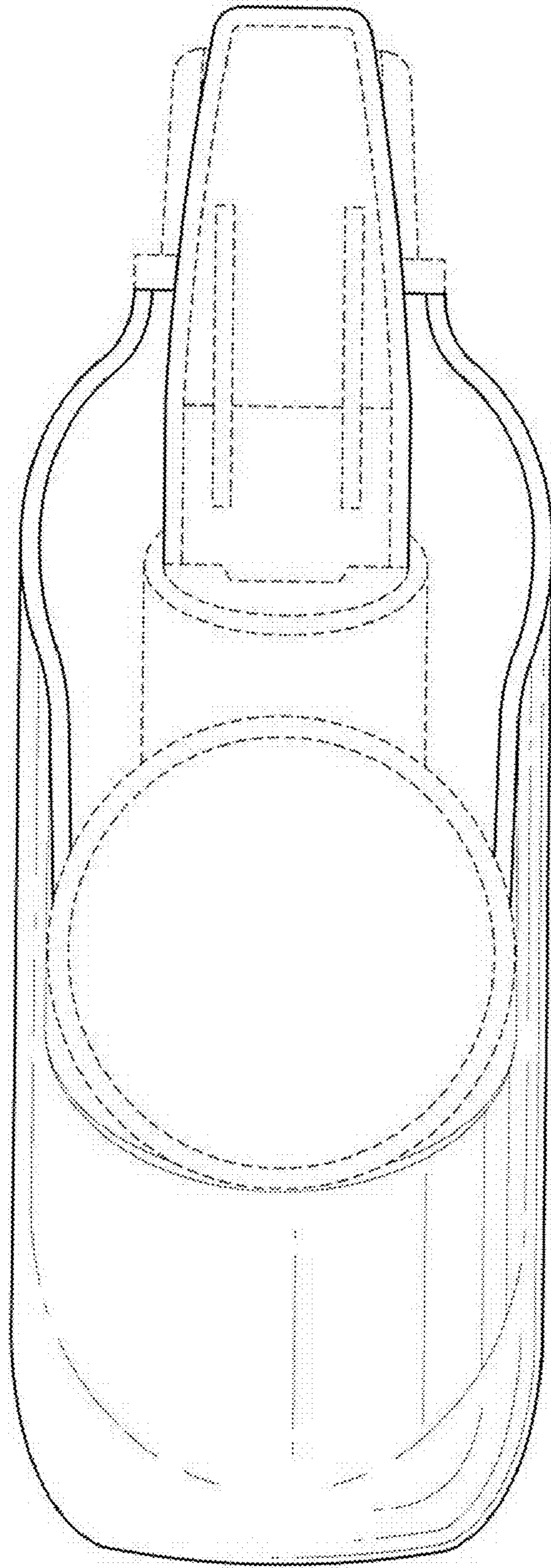


FIG. 8