



US00D653945S

(12) **United States Design Patent**
Pearson et al.

(10) **Patent No.:** **US D653,945 S**

(45) **Date of Patent:** **** Feb. 14, 2012**

(54) **TRIGGER SPRAY**

(75) Inventors: **Mark Pearson**, Slough (GB); **Chris Witty**, Hull (GB)

(73) Assignee: **Reckitt & Colman (Overseas) Limited**, Slough, Berkshire (GB)

(**) Term: **14 Years**

(21) Appl. No.: **29/354,874**

(22) Filed: **Jan. 29, 2010**

(30) **Foreign Application Priority Data**

Aug. 7, 2006 (EM) 001157853-0001

(51) **LOC (9) Cl.** **09-07**

(52) **U.S. Cl.** **D9/448**

(58) **Field of Classification Search** D9/685,

D9/682, 456, 448, 447, 435, 434, 415; D23/227,

D23/226, 213; 222/556-557, 402.13, 383.1,

222/281, 251, 182

See application file for complete search history.

(56) **References Cited**

U.S. PATENT DOCUMENTS

D532,299 S *	11/2006	Kuo	D9/448
D622,143 S *	8/2010	Hildebrand	D9/448
D623,942 S *	9/2010	Alluigi	D9/448
D628,067 S *	11/2010	Pearson et al.	D9/448
D636,272 S *	4/2011	Pearson et al.	D9/685
D641,251 S *	7/2011	Pearson et al.	D9/685

* cited by examiner

Primary Examiner — Susan Bennett Hattan

(74) *Attorney, Agent, or Firm* — Norris McLaughlin & Marcus, PA

(57) **CLAIM**

The ornamental design for a trigger spray, as shown and described.

DESCRIPTION

FIG. 1 is a perspective view of the top, front and a side of our trigger spray;

FIG. 2 is an elevation view of the front of our trigger spray;

FIG. 3 is an elevation view of the back of our trigger spray;

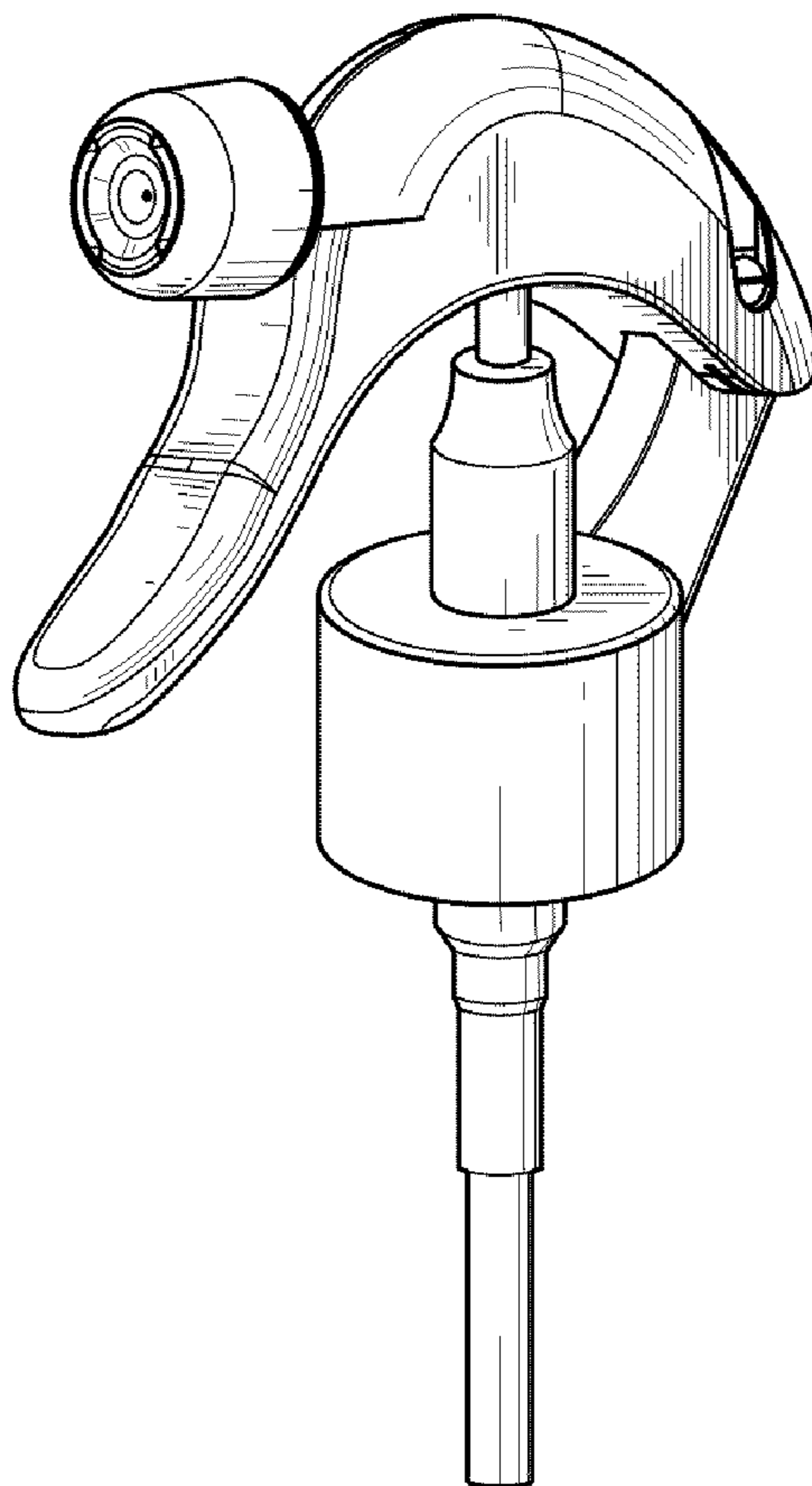
FIG. 4 is an elevation view of a side of our trigger spray;

FIG. 5 is an elevation view of another side of our trigger spray;

FIG. 6 is an elevation view of the top of our trigger spray; and,

FIG. 7 is an elevation view of the bottom of our trigger spray.

1 Claim, 2 Drawing Sheets



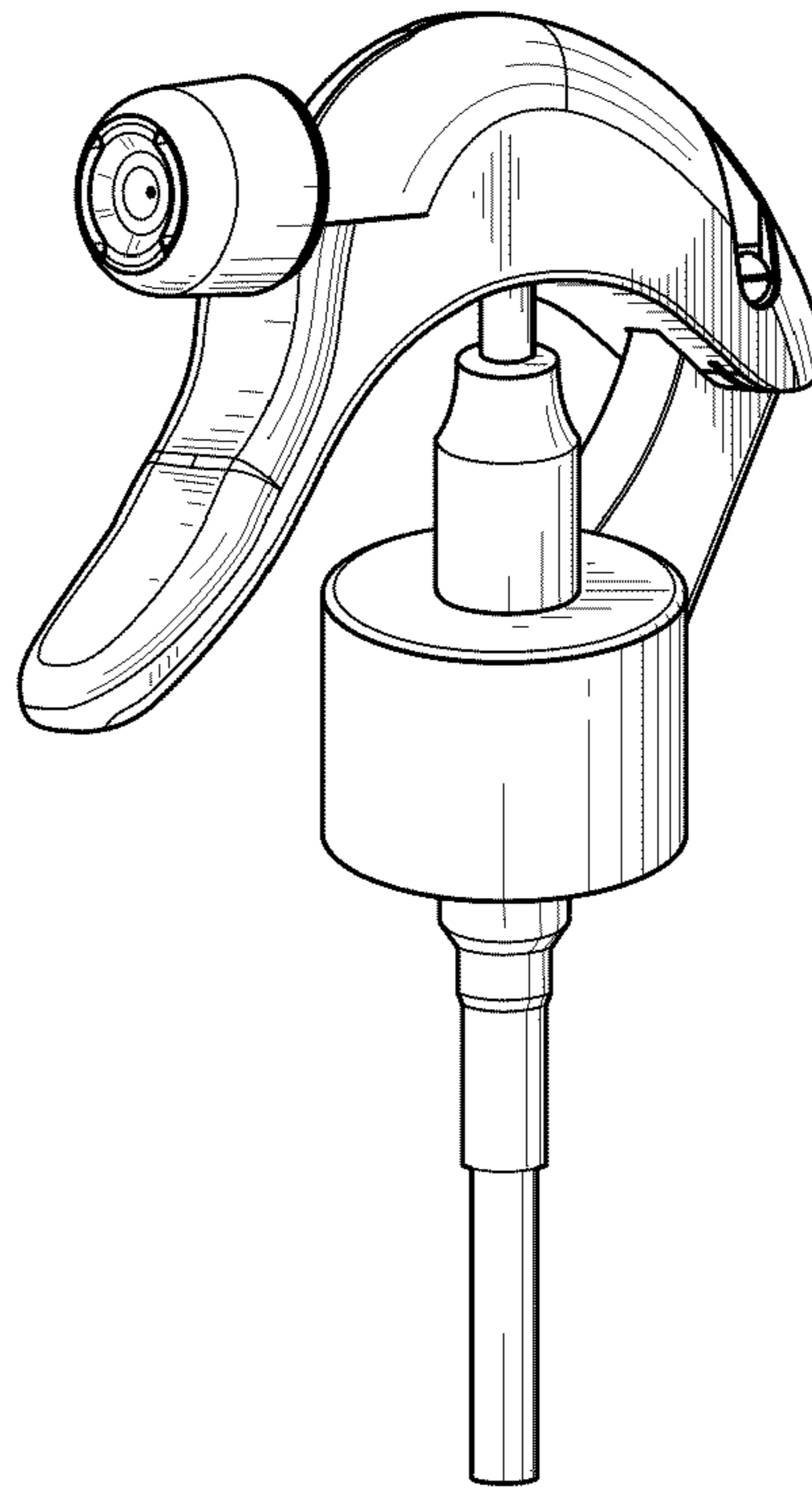


Fig.1

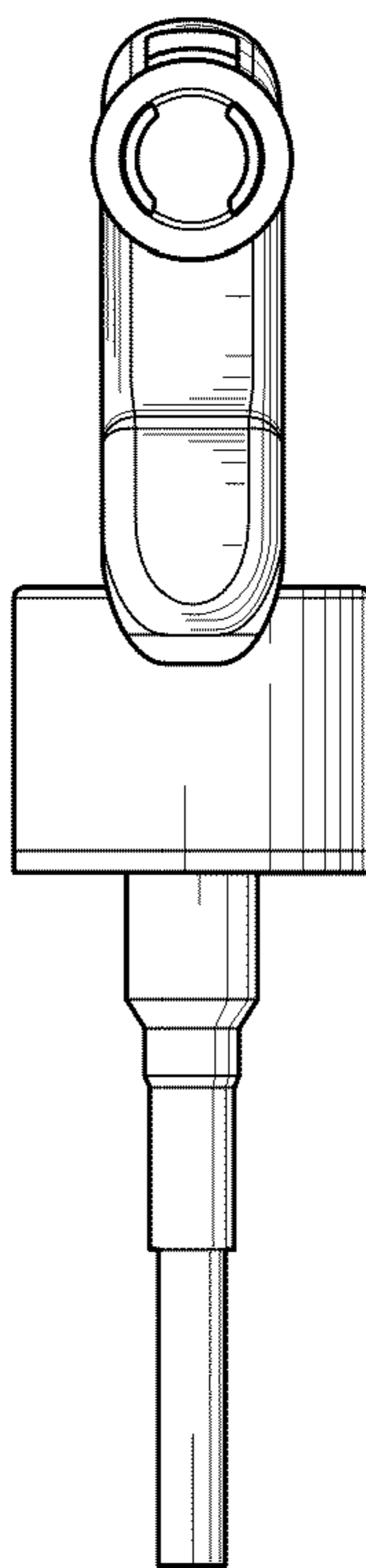


Fig.2

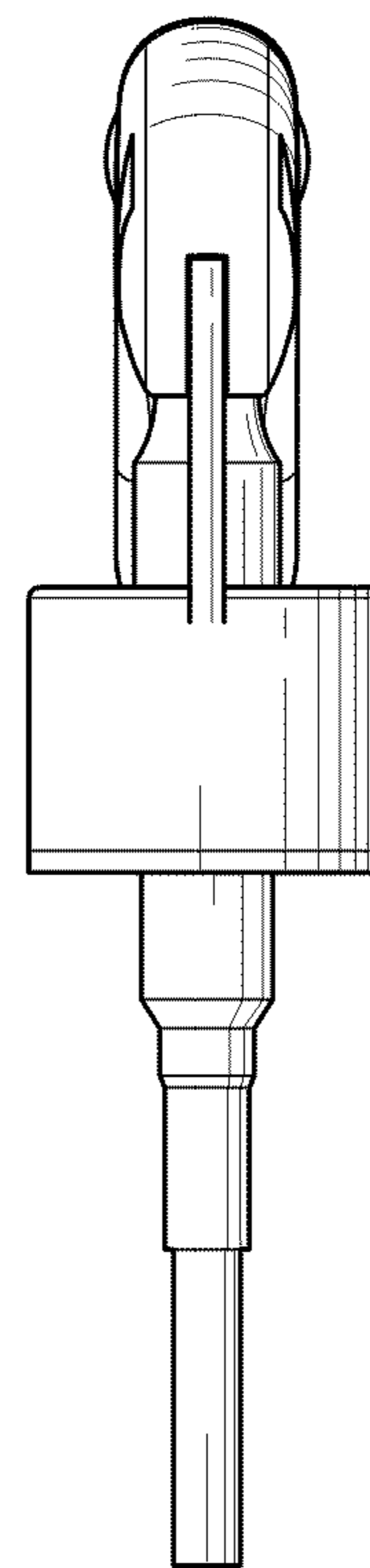


Fig.3

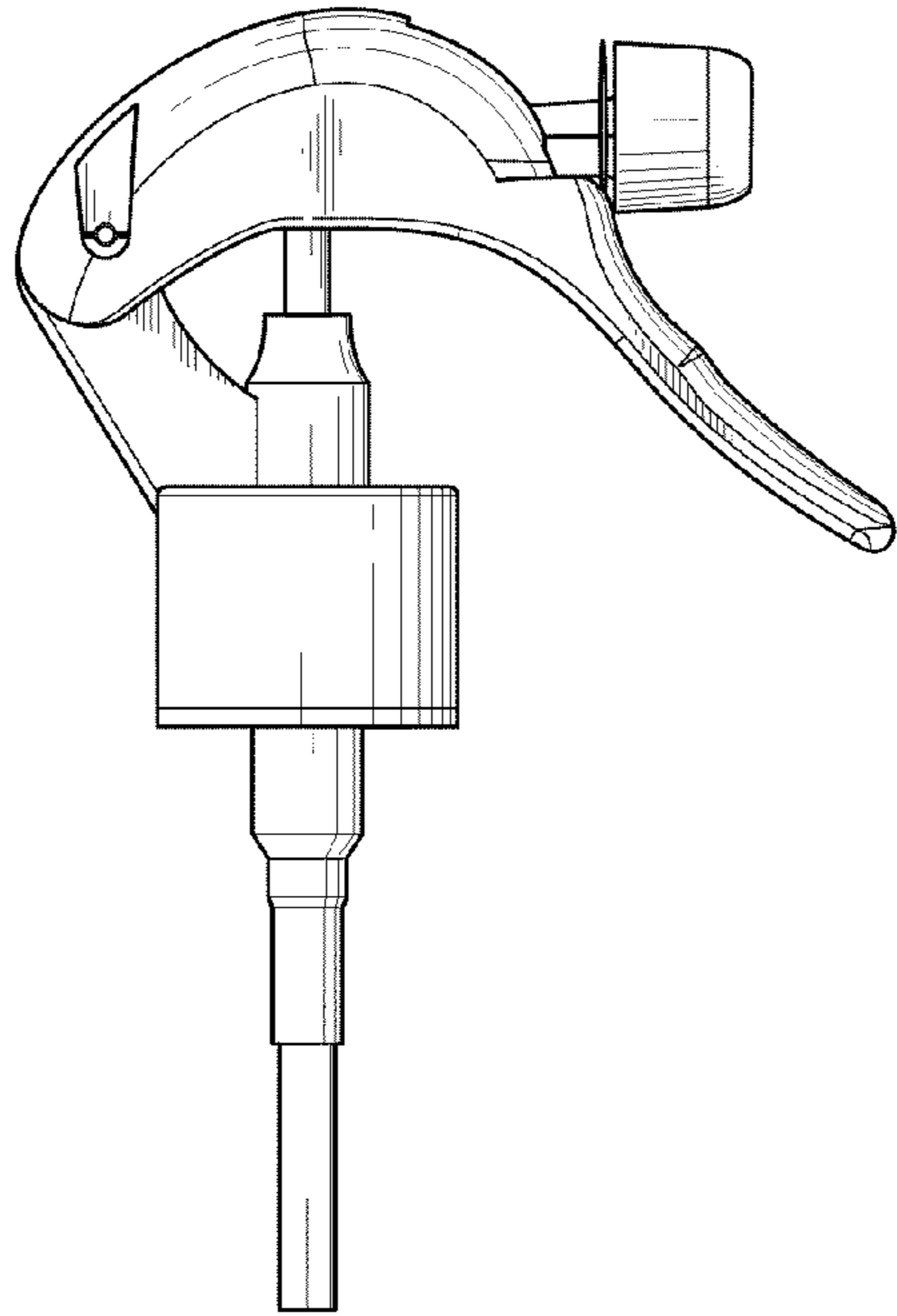


Fig.4

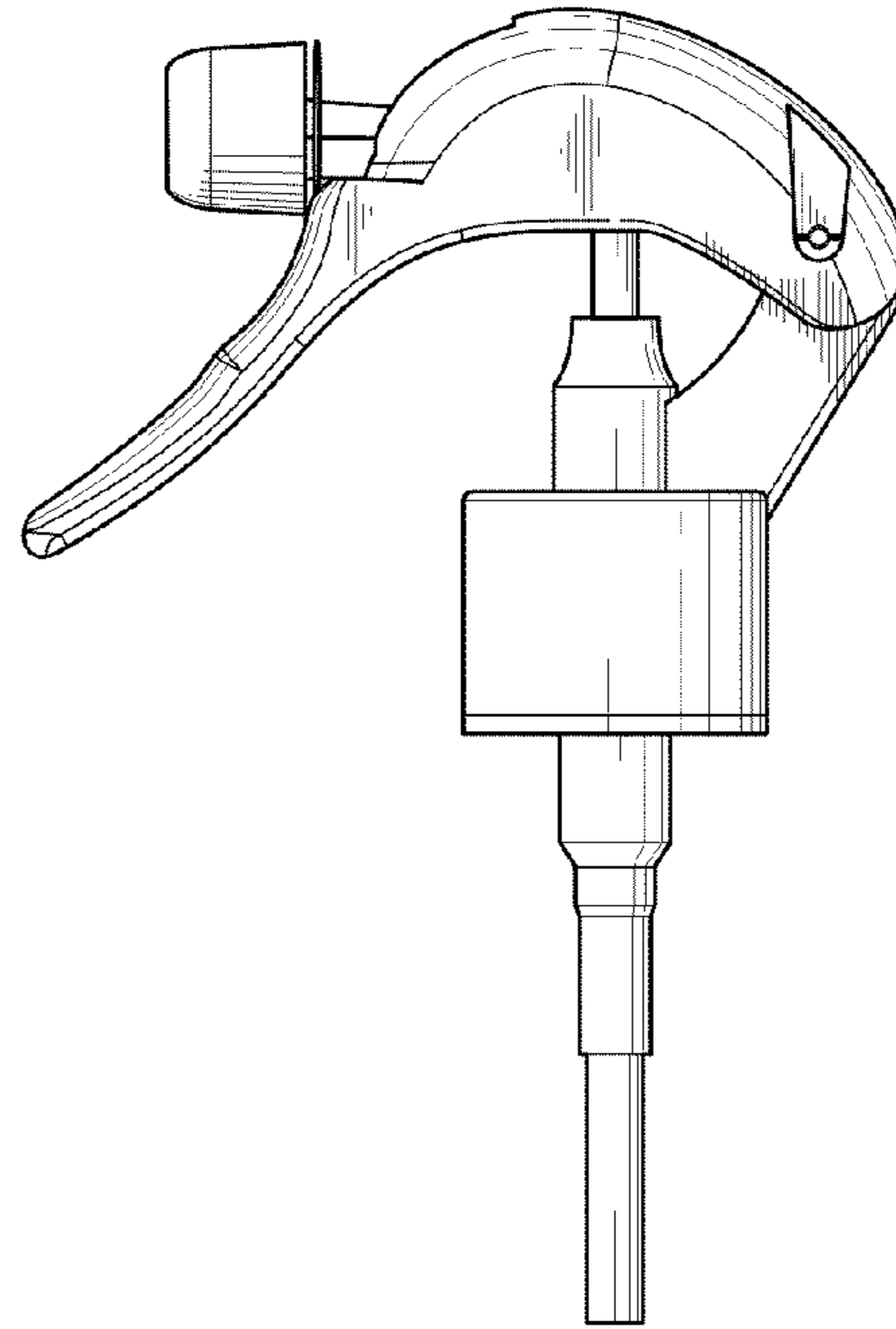


Fig.5

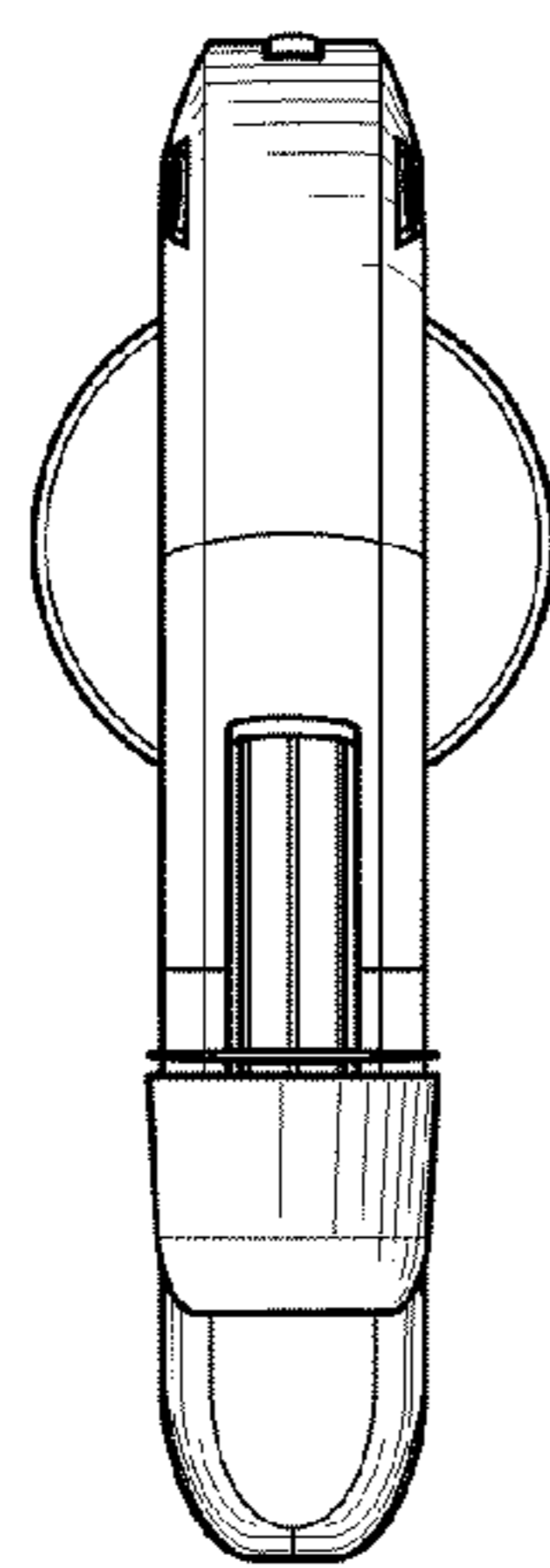


Fig.6

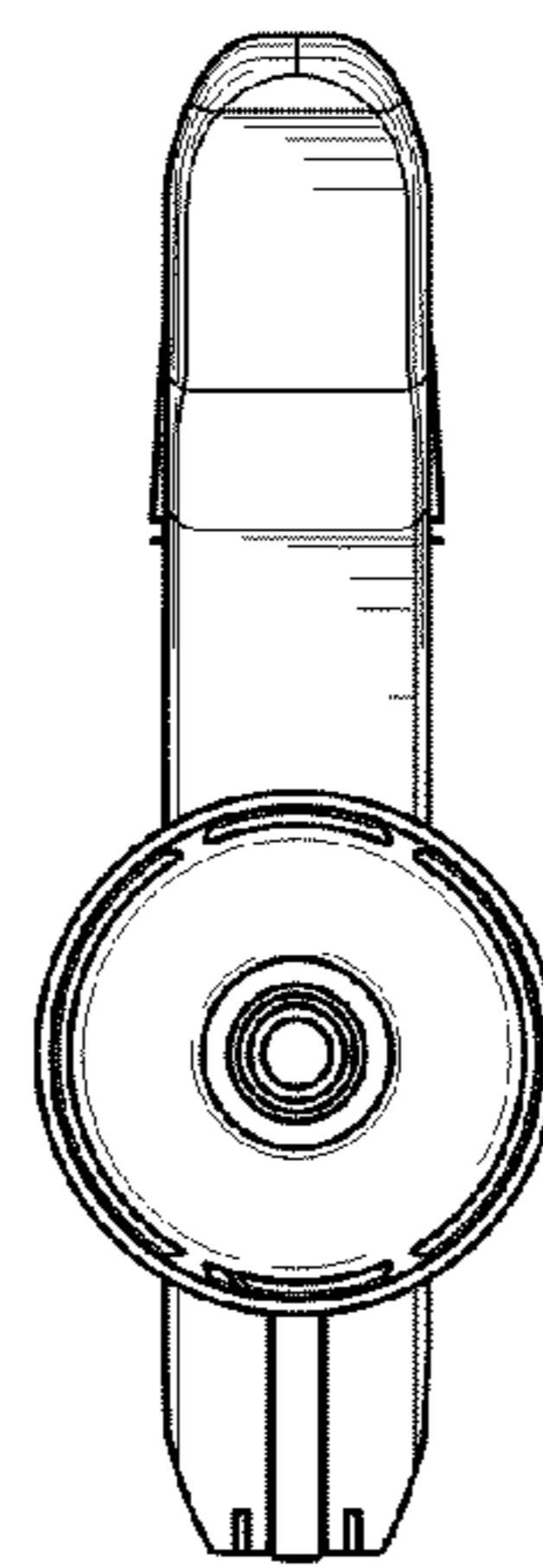


Fig.7

UNITED STATES PATENT AND TRADEMARK OFFICE
CERTIFICATE OF CORRECTION

PATENT NO. : D653,945 S
APPLICATION NO. : 29/354874
DATED : February 14, 2012
INVENTOR(S) : Mark Pearson et al.

Page 1 of 1

It is certified that error appears in the above-identified patent and that said Letters Patent is hereby corrected as shown below:

On the Title page of the patent under the heading “(30) Foreign Application Priority Data”
should read:

-- Aug. 7, 2009 (EM) 001157853-0001 --

Signed and Sealed this
Third Day of April, 2012

A handwritten signature in black ink that reads "David J. Kappos". The signature is written in a cursive, slightly slanted style.

David J. Kappos
Director of the United States Patent and Trademark Office