



US00D653943S

(12) **United States Design Patent**
Bhattacharya

(10) **Patent No.:** **US D653,943 S**
(45) **Date of Patent:** **** Feb. 14, 2012**

(54) **CONTAINER**

(75) Inventor: **Animesh Bhattacharya**, Dubai (AE)

(73) Assignee: **Mars, Incorporated**, McLean, VA (US)

(**) Term: **14 Years**

(21) Appl. No.: **29/399,701**

(22) Filed: **Aug. 17, 2011**

Related U.S. Application Data

(62) Division of application No. 29/376,064, filed on Oct. 1, 2010, now Pat. No. Des. 645,341.

(30) **Foreign Application Priority Data**

Apr. 26, 2010 (AE) D116/2010

(51) **LOC (9) Cl.** **09-03**

(52) **U.S. Cl.** **D9/430**

(58) **Field of Classification Search** D9/430-433,
D9/414, 418, 420-423, 435, 560, 561; D3/201,
D3/272, 273, 305; 206/278, 297, 299, 320,
206/339, 433, 769, 770, 775, 776, 781, 782,
206/822; 229/100, 103.3, 104-106, 107,
229/108, 108.1, 110, 111, 112, 115, 117.16,
229/120, 125.015, 120.32, 133.24, 122.29,
229/124, 160.1, 162.1, 162.6, 163, 182.1,
229/201, 406, 407, 902, 904, 906, 922, 930,
229/939, 942; D7/602

See application file for complete search history.

(56) **References Cited**

U.S. PATENT DOCUMENTS

D214,132 S * 5/1969 Niemoller D27/152
3,844,470 A * 10/1974 Rohde 229/116

D246,269 S * 11/1977 Baker D26/129
D275,836 S 10/1984 Forbes, Jr.
D317,262 S * 6/1991 Bluff D9/431
5,098,014 A 3/1992 Perkins
D334,141 S 3/1993 Gottofredi
D361,305 S 8/1995 Shryock
D361,738 S 8/1995 Shryock
D363,455 S * 10/1995 Shryock D11/164
D373,528 S 9/1996 Ser Tuen Wei
D379,779 S * 6/1997 Shryock D11/164
D398,226 S 9/1998 Lai et al.
D477,219 S * 7/2003 Waterhouse et al. D9/430
D561,578 S * 2/2008 Smith D9/414
D592,050 S 5/2009 Casebasse
D592,051 S 5/2009 Casebasse
D592,502 S 5/2009 Casebasse
D605,035 S 12/2009 Altonen et al.
D645,341 S * 9/2011 Bhattacharya D9/430

* cited by examiner

Primary Examiner — Thomas Johannes

(74) *Attorney, Agent, or Firm* — Arent Fox LLP

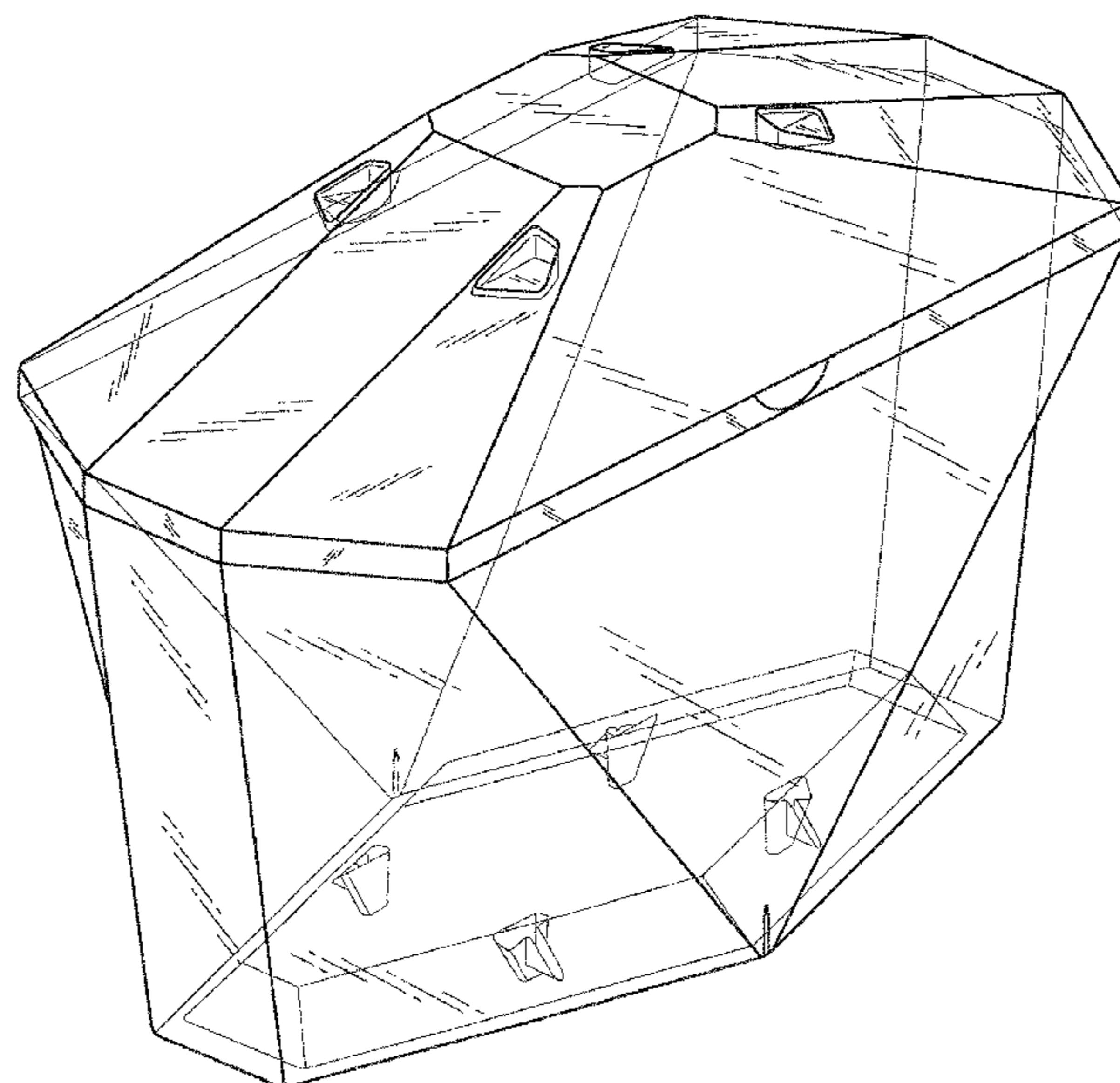
(57) **CLAIM**

The ornamental design for a container, as shown and described.

DESCRIPTION

FIG. 1 is a perspective view of a container showing my new design;
FIG. 2 is a front view of the design shown in FIG. 1, the rear view being identical thereto;
FIG. 3 is a left side view of the design shown in FIG. 1, the right side view being identical thereto;
FIG. 4 is a top view of the design shown in FIG. 1; and,
FIG. 5 is a bottom view of the design shown in FIG. 1.

1 Claim, 5 Drawing Sheets



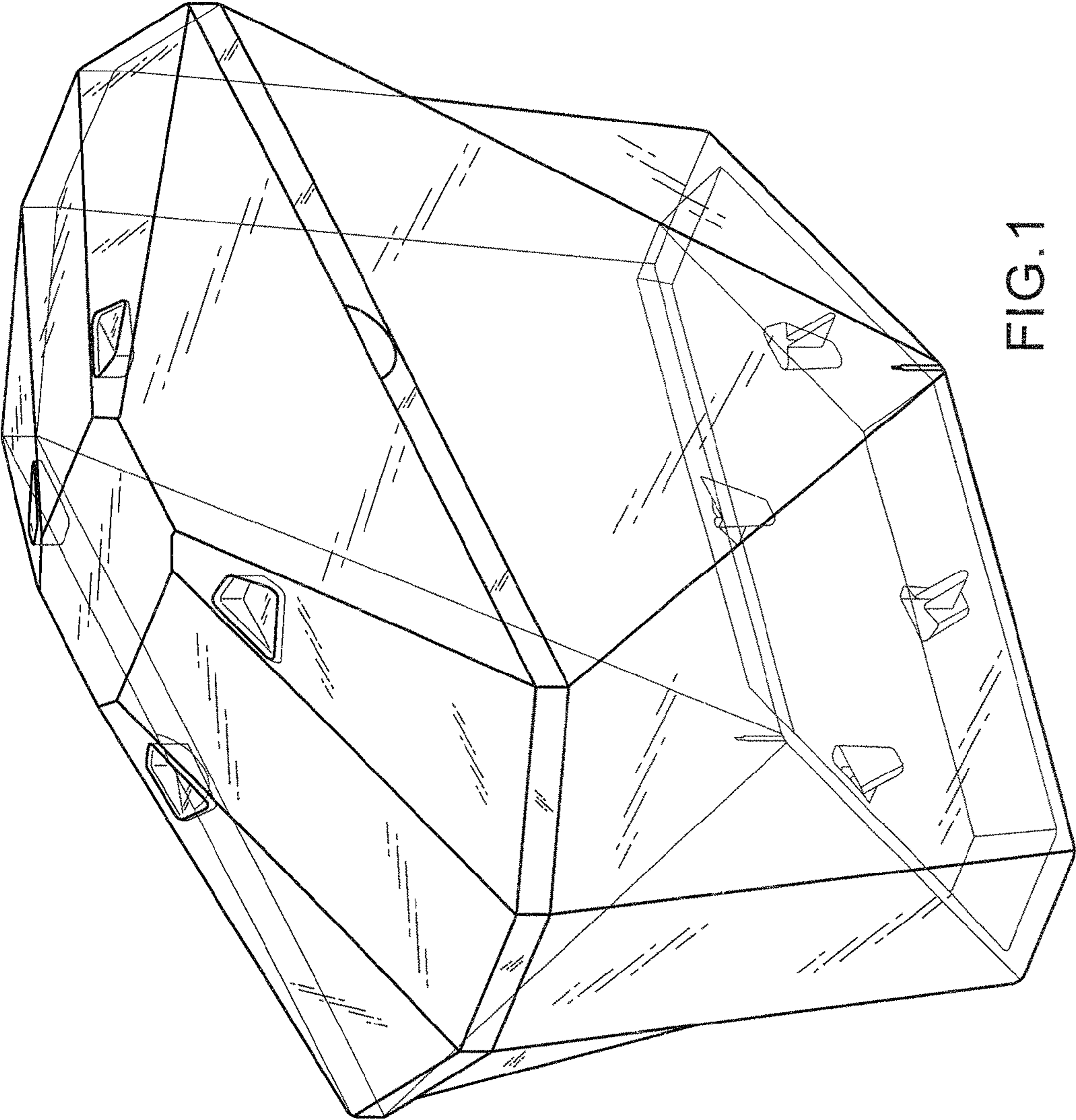


FIG.1

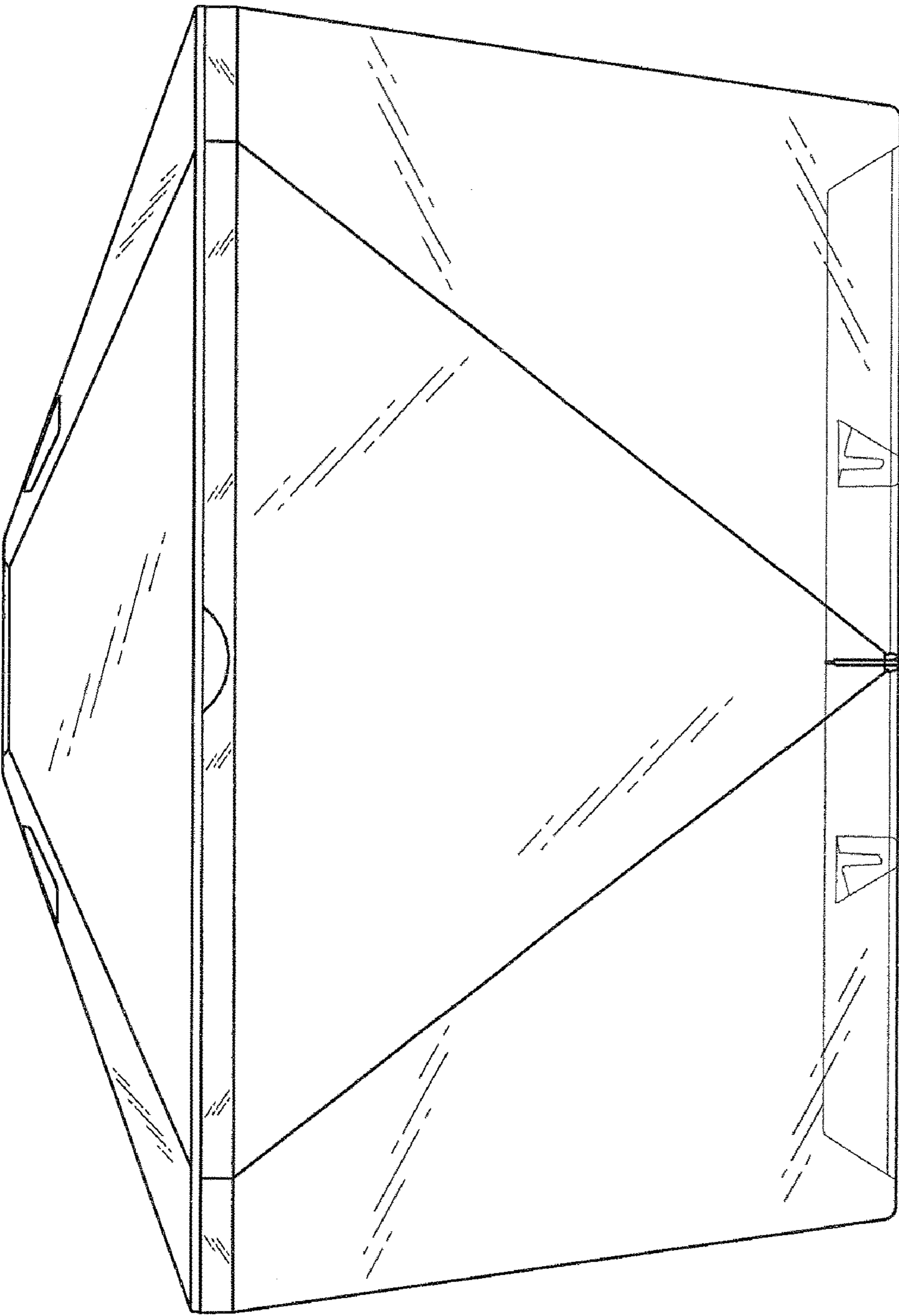


FIG.2

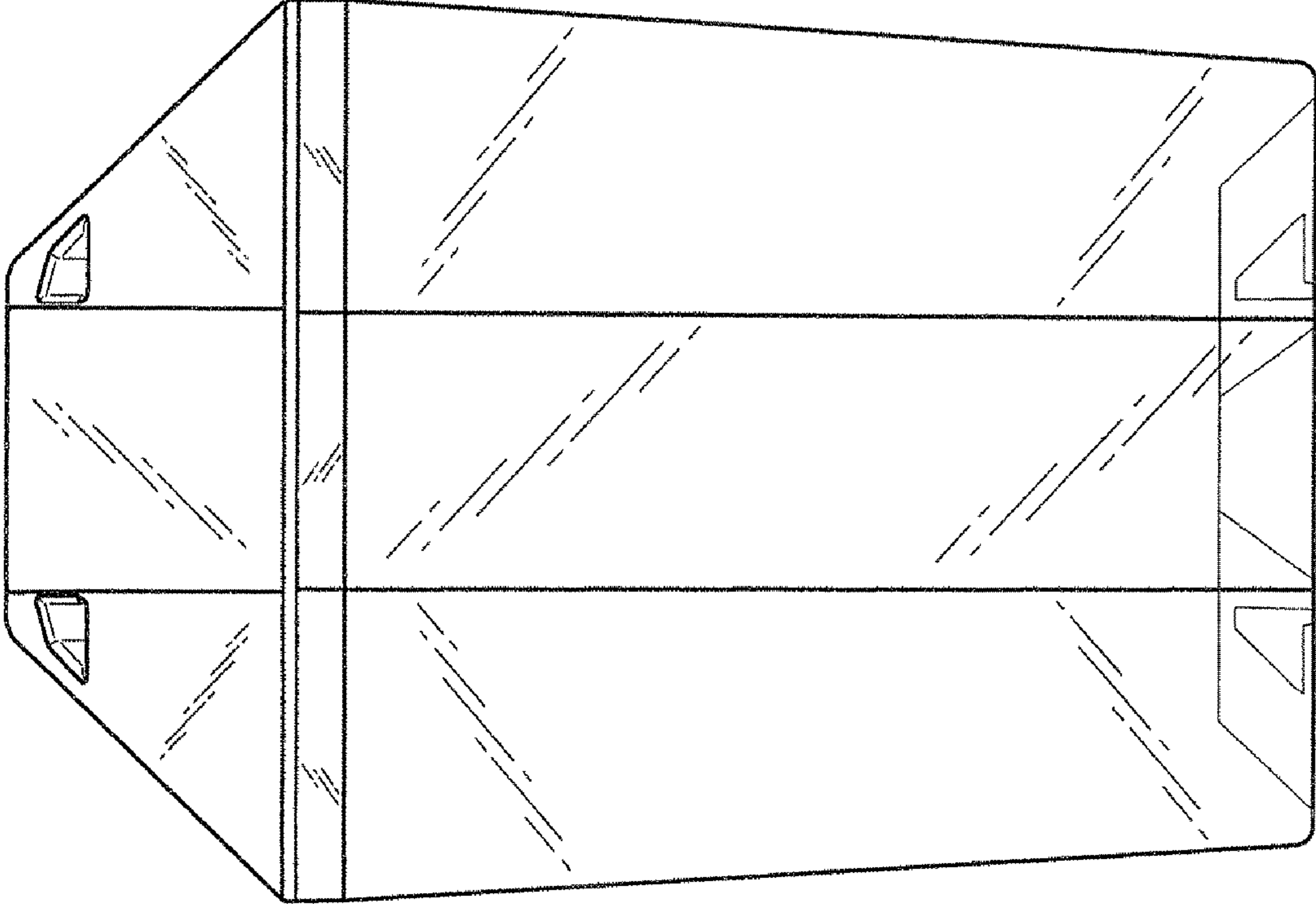


FIG. 3

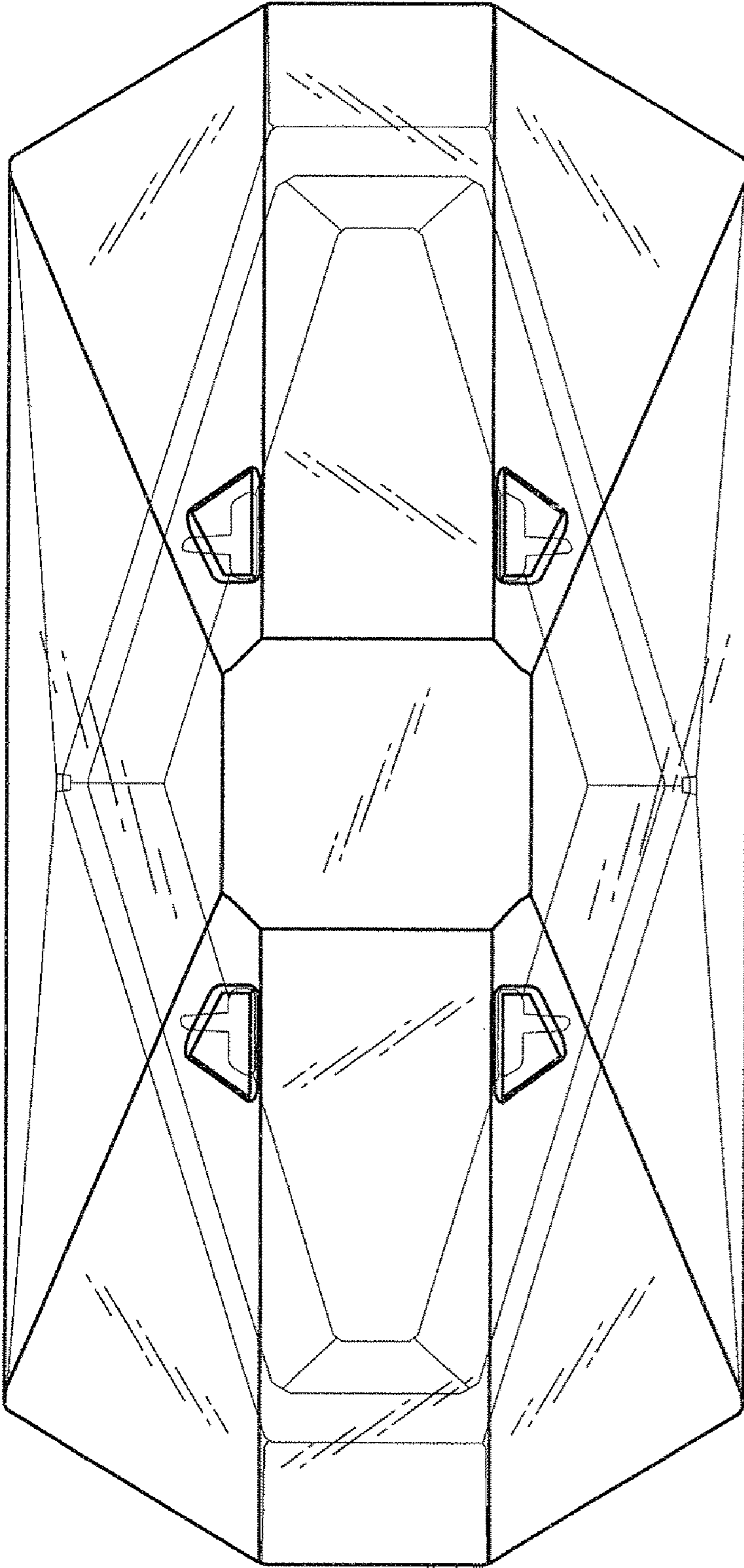


FIG.4

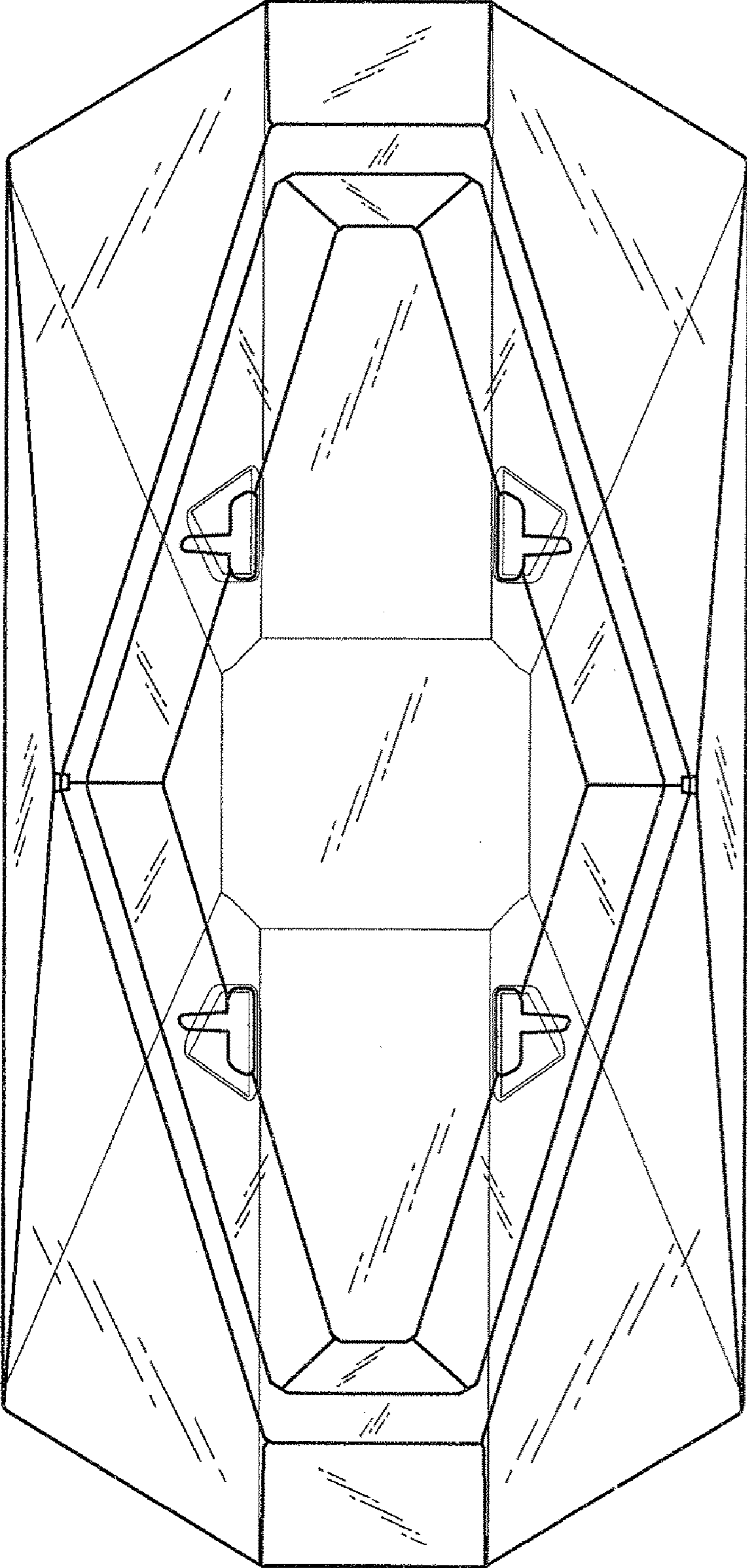


FIG. 5