



US00D653942S

(12) **United States Design Patent**
Hamblin

(10) **Patent No.:** **US D653,942 S**

(45) **Date of Patent:** **** Feb. 14, 2012**

(54) **PEEP HOLE COVER**

(76) Inventor: **Clayton M. Hamblin**, McPherson, KS
(US)

(**) Term: **14 Years**

(21) Appl. No.: **29/401,044**

(22) Filed: **Sep. 6, 2011**

(51) **LOC (9) Cl.** **08-09**

(52) **U.S. Cl.** **D8/400**

(58) **Field of Classification Search** D8/400-499;
16/86 B, 85, 137, 342, 375; D13/156; D25/48;
49/171, 163; 359/504; 52/106

See application file for complete search history.

(56) **References Cited**

U.S. PATENT DOCUMENTS

1,088,300	A *	2/1914	Schidorsky et al.	49/171
1,715,154	A *	5/1929	Walsh	49/171
2,028,108	A *	1/1936	Sklar	49/171
2,304,995	A *	12/1942	Frankel	49/171
6,056,595	A *	5/2000	Passwater et al.	439/570
D534,130	S *	12/2006	Park	D13/156
D534,499	S *	1/2007	Park	D13/156

D595,238	S *	6/2009	Vigorito et al.	D13/156
D621,695	S *	8/2010	Van Solkema	D8/400
D640,538	S *	6/2011	Van Solkema	D8/400

* cited by examiner

Primary Examiner — Barbara Fox

(74) *Attorney, Agent, or Firm* — Jeffrey L. Thompson;
Thompson & Thompson, P.A.

(57) **CLAIM**

The ornamental design for a peep hole cover, as shown and described.

DESCRIPTION

FIG. 1 is a perspective view showing my new design for a peep hole cover, with the peep hole cover in an open position; FIG. 2 is a perspective view of the peep hole cover in a closed position;

FIG. 3 is a left side view of my design;

FIG. 4 is a front view of my design;

FIG. 5 is a right side view of my design;

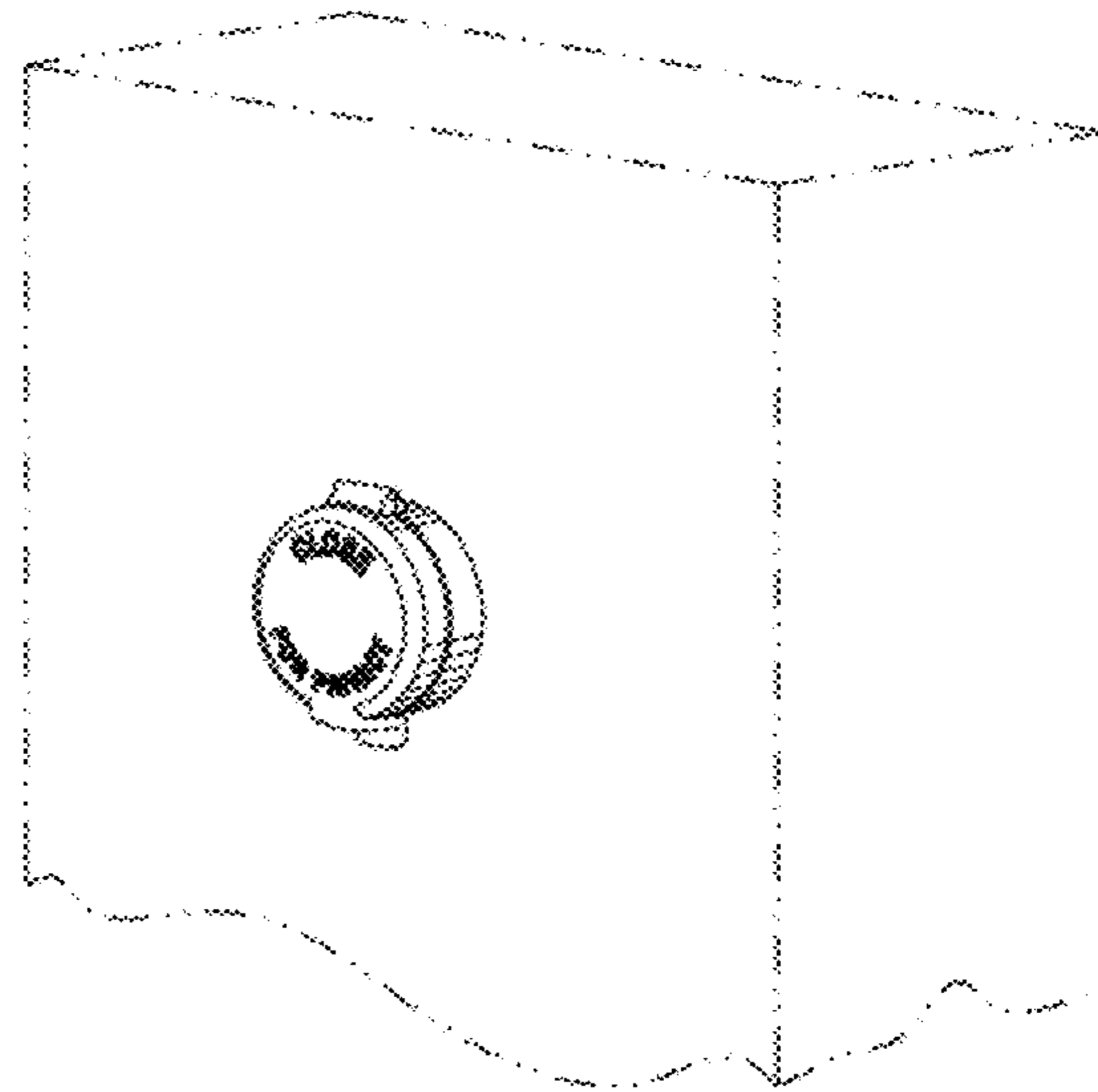
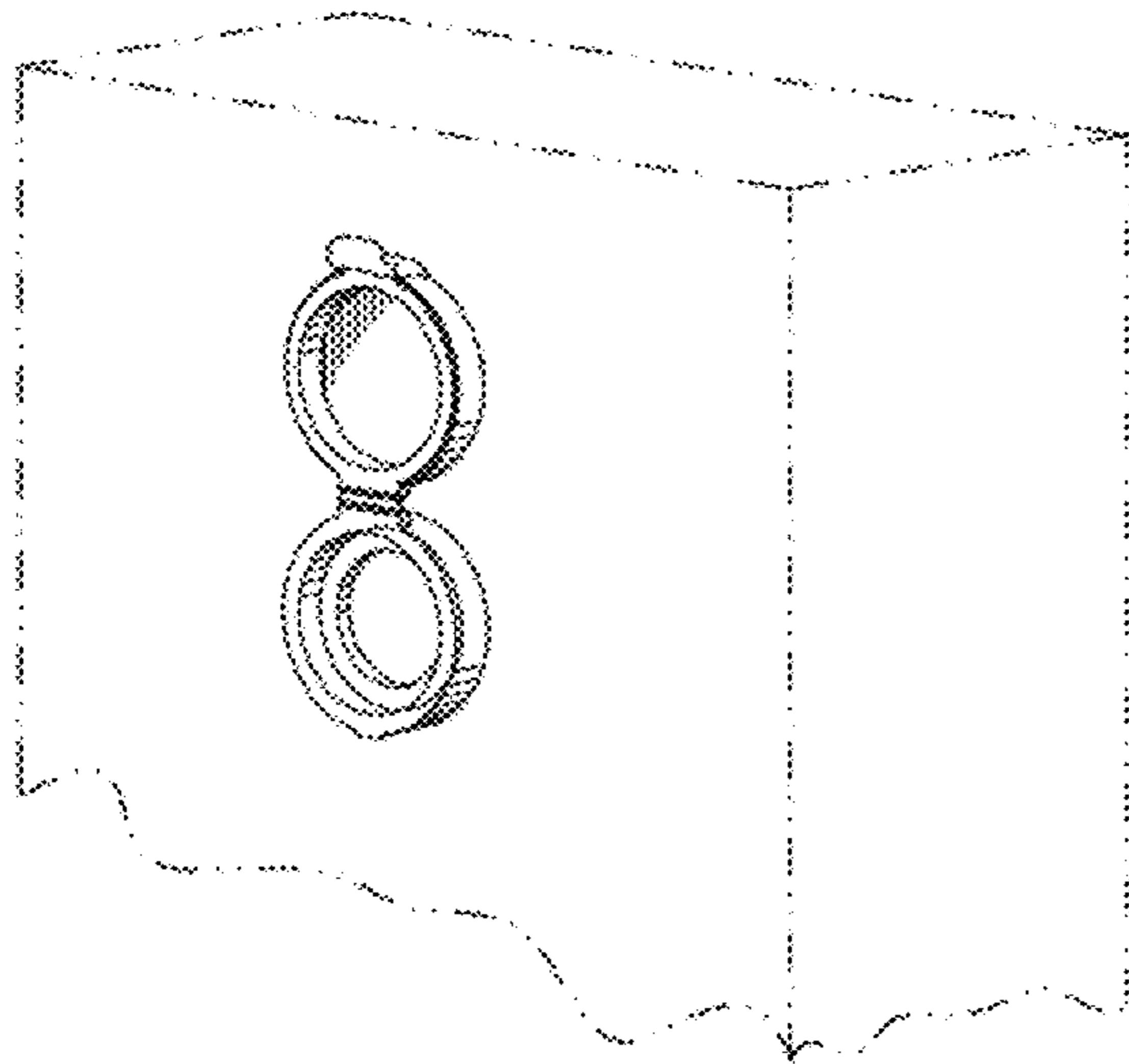
FIG. 6 is a rear view of my design;

FIG. 7 is a top view of my design; and,

FIG. 8 is a bottom view of my design.

The broken lines shown in the drawings represent environmental structure and form no part of the claimed design.

1 Claim, 3 Drawing Sheets



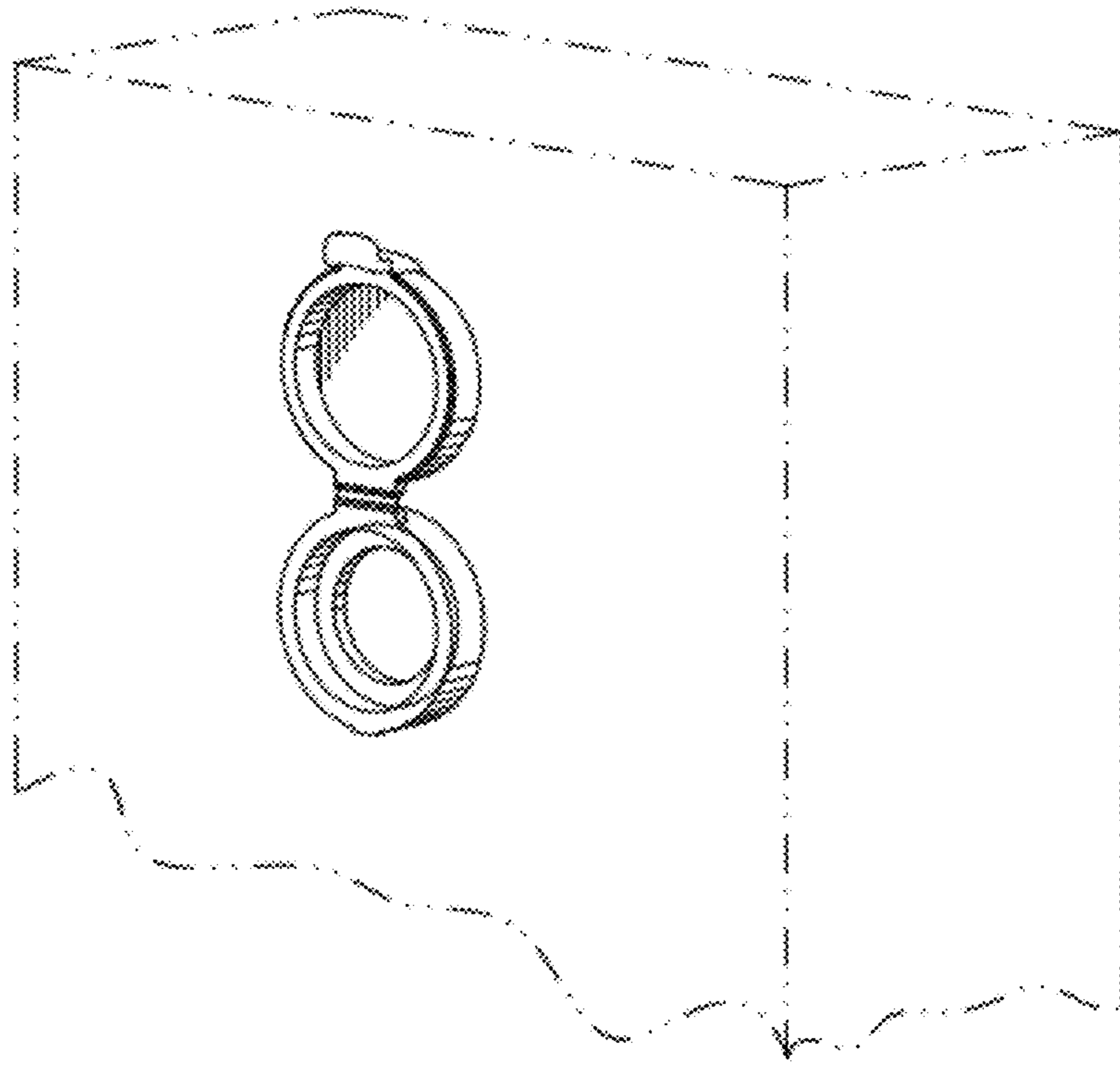


Fig. 1

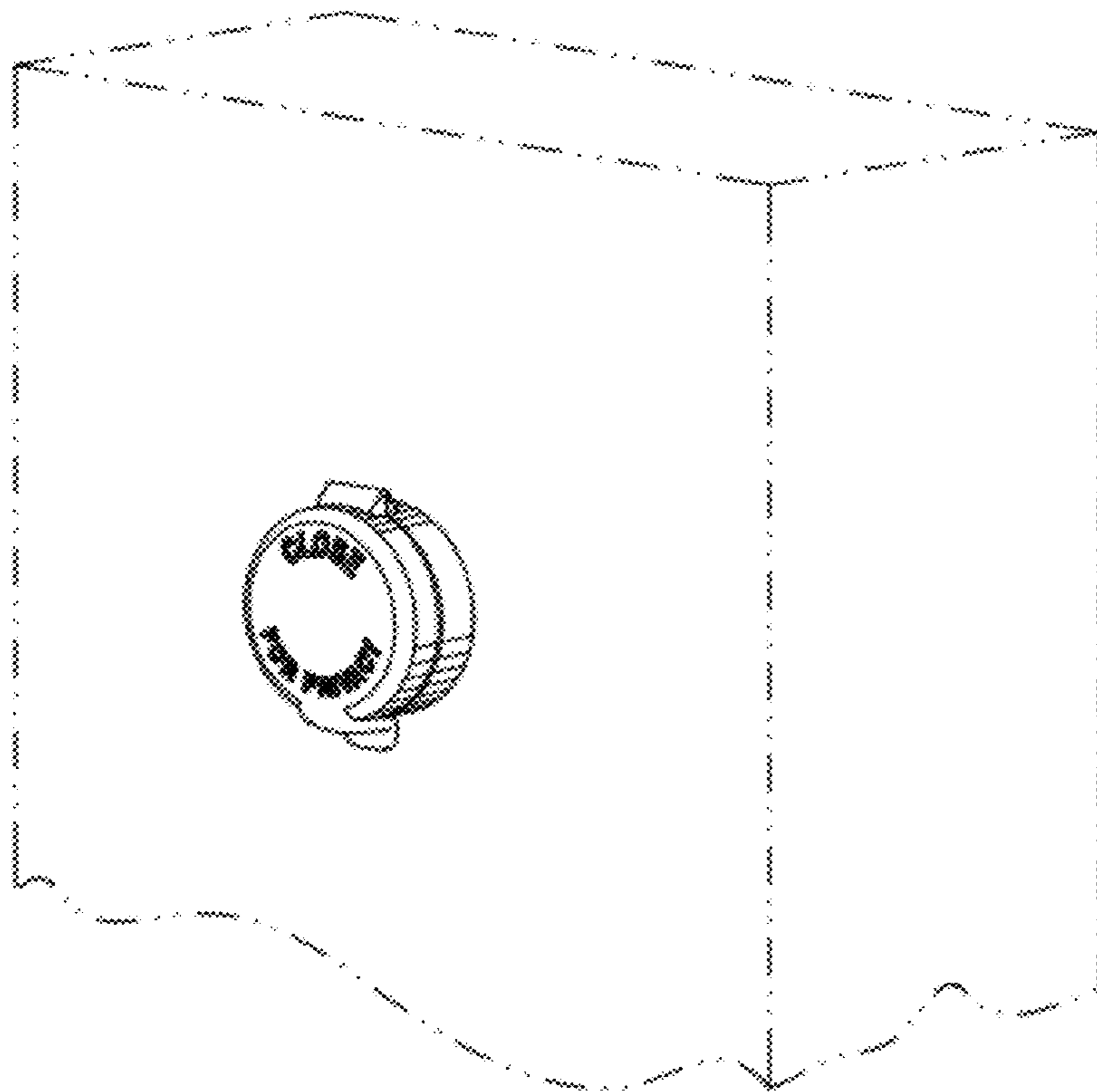


Fig. 2

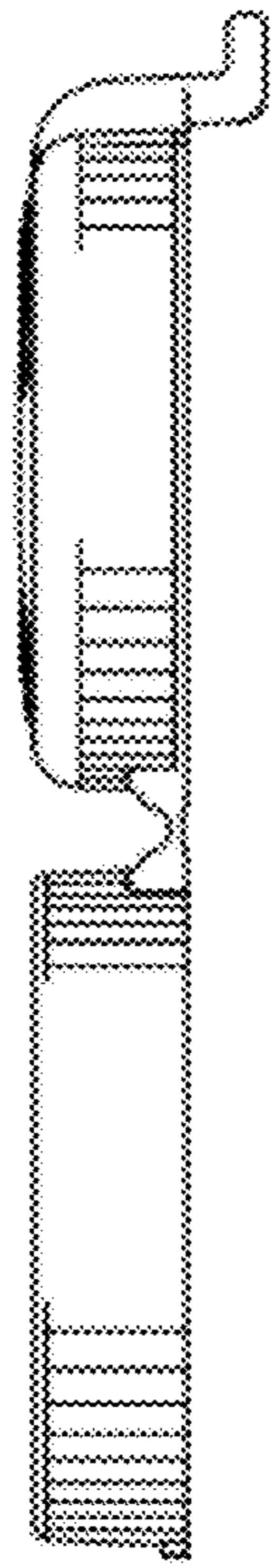


Fig. 3

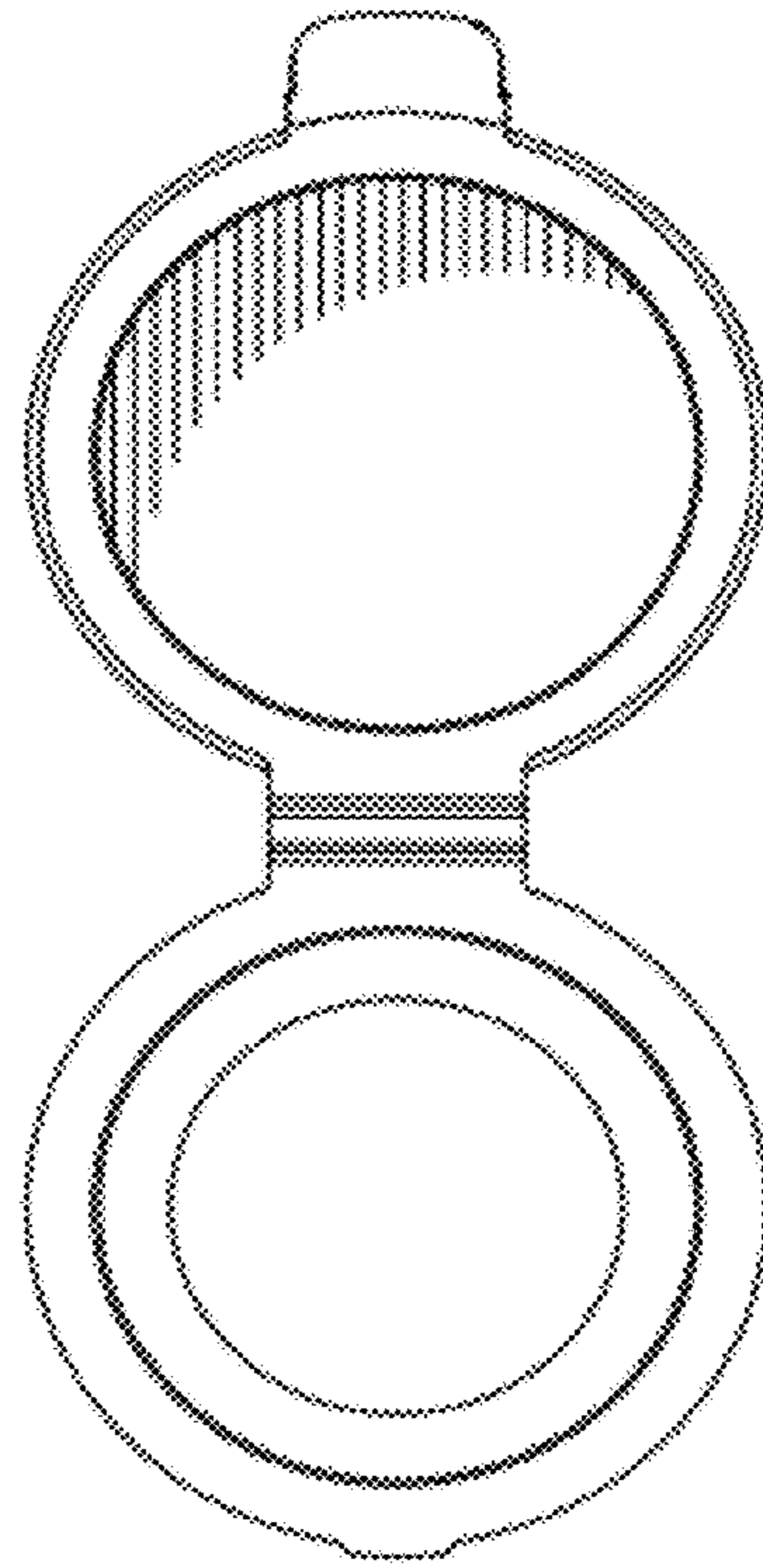


Fig. 4

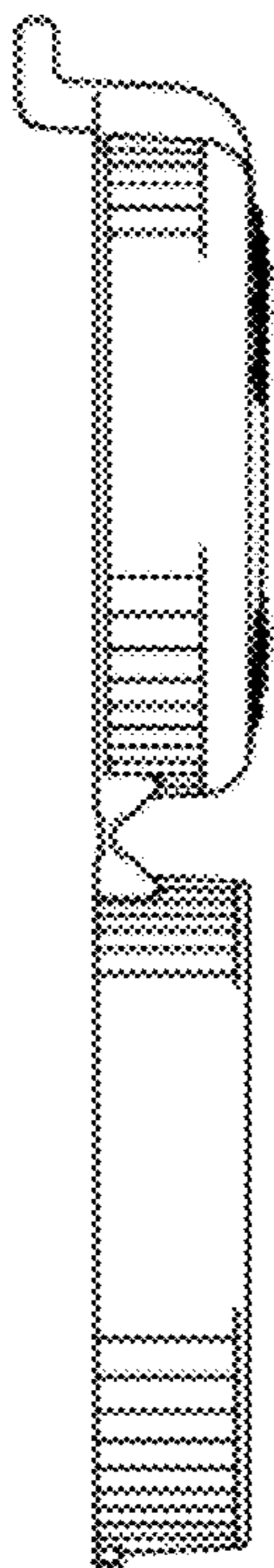


Fig. 5

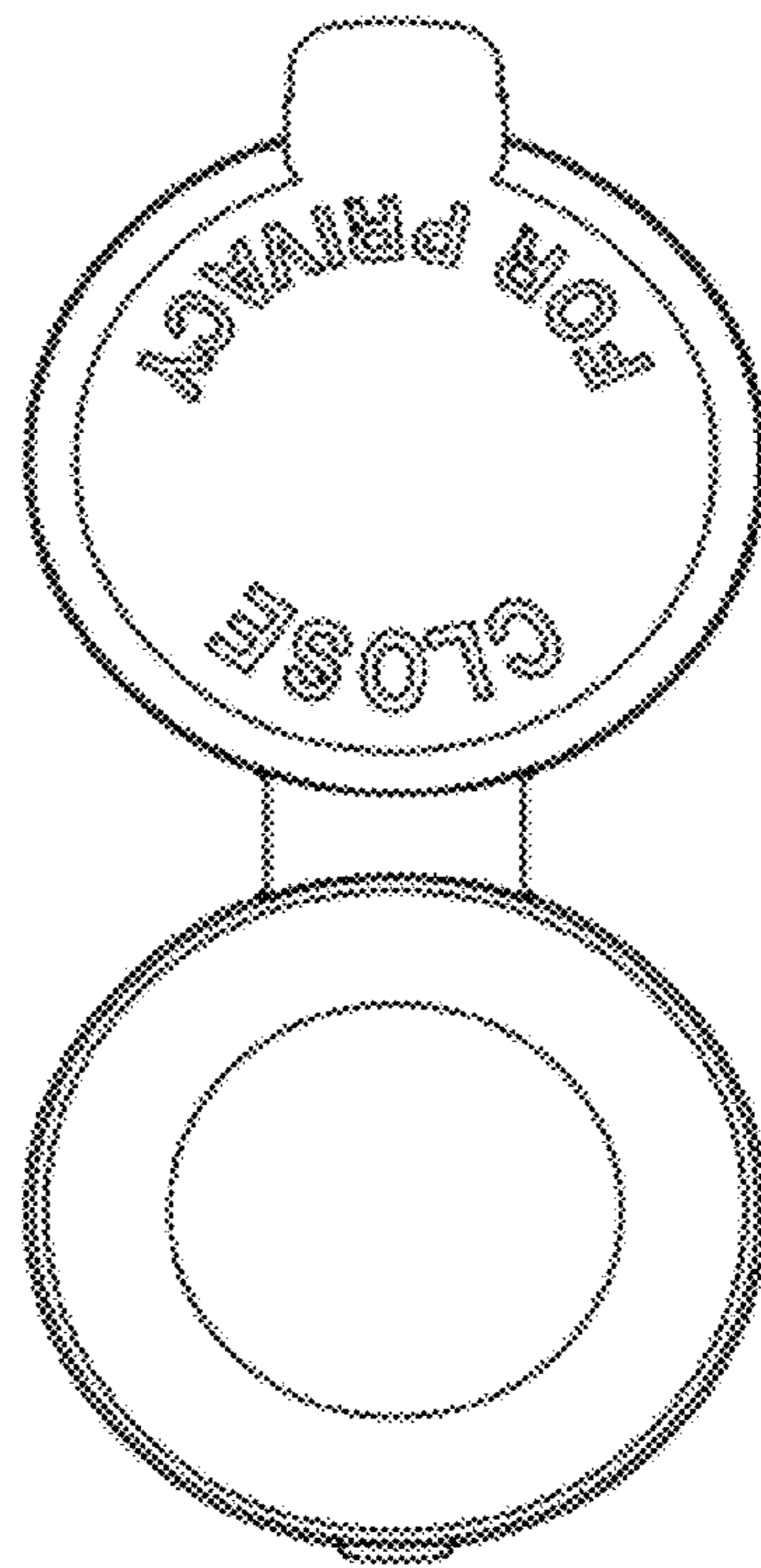


Fig. 6

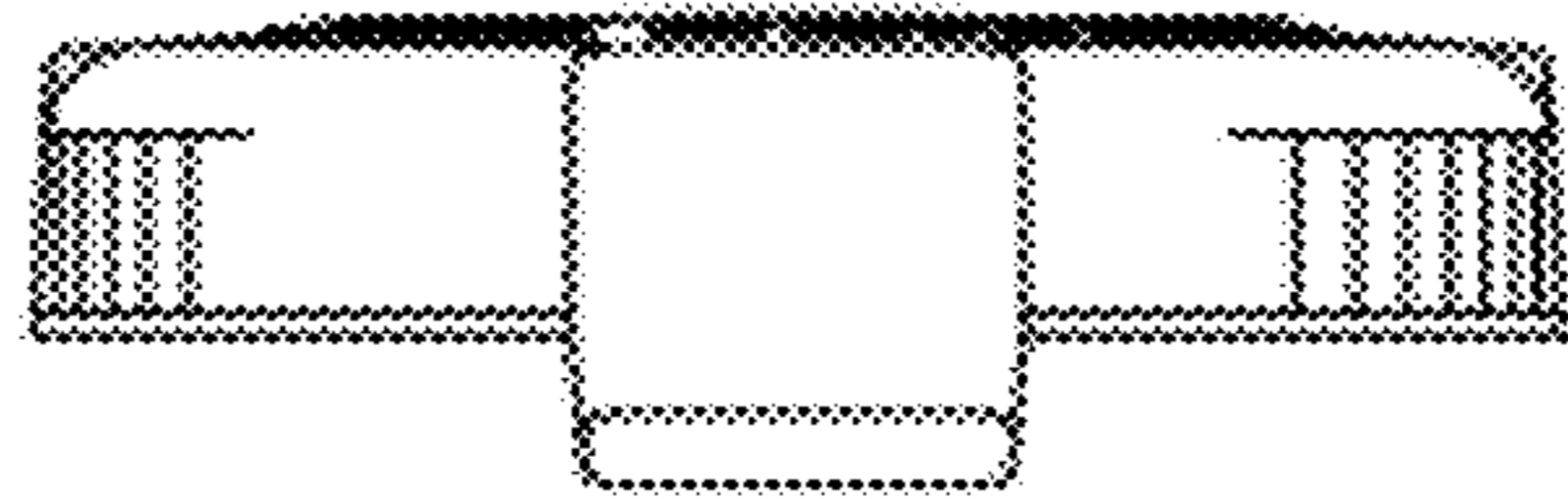


Fig. 7

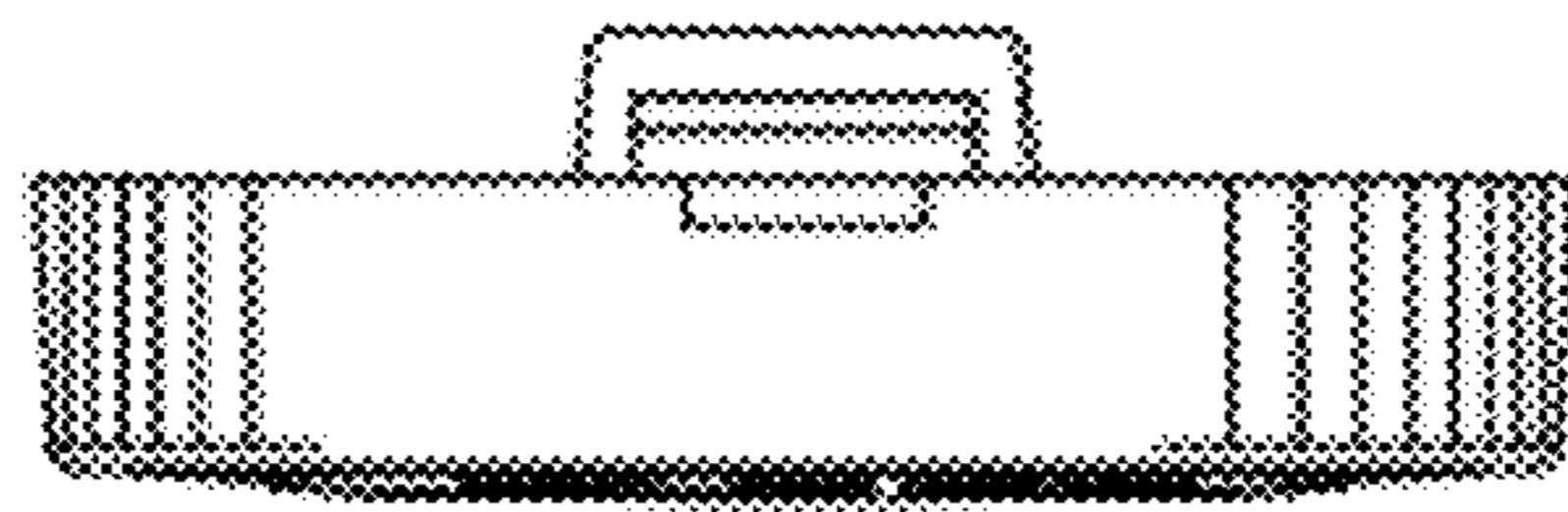


Fig. 8