



US00D653941S

(12) **United States Design Patent**
Yasher

(10) **Patent No.:** **US D653,941 S**

(45) **Date of Patent:** **** Feb. 14, 2012**

(54) **CLIP**
(75) Inventor: **Gregg Yasher**, Independence, OH (US)
(73) Assignee: **Precision Perfect Product Development Company**, North Royalton, OH (US)
(**) Term: **14 Years**
(21) Appl. No.: **29/387,745**

5,309,181 A * 5/1994 Ota et al. 346/145
D372,498 S * 8/1996 Sato D19/65
5,606,777 A * 3/1997 Lu 24/67.9
5,619,789 A * 4/1997 Chung 29/814
5,806,147 A * 9/1998 Sato 24/67.9
5,937,485 A * 8/1999 Dittmer 24/67 R
6,112,383 A * 9/2000 Salam 27/28
6,530,747 B1 * 3/2003 Schneider et al. 416/144
D479,146 S * 9/2003 Manley D11/78.1
6,691,380 B2 * 2/2004 Vassiliou 24/295
6,796,006 B2 * 9/2004 Hansen 24/297
D526,356 S * 8/2006 Shinya D19/65
2003/0208887 A1 * 11/2003 Lee 24/67.9

* cited by examiner

(22) Filed: **Mar. 17, 2011**
(51) **LOC (9) Cl.** **08-08**
(52) **U.S. Cl.** **D8/395**
(58) **Field of Classification Search** D8/354,
D8/356, 371, 394-396; D19/65, 86; D24/128;
248/74.2, 215, 227.1, 49, 300, 301, 316.7,
248/51, 489; 24/570, 3.12, 67.9, 67 P, 555,
24/556, 562, 563, 564
See application file for complete search history.

Primary Examiner — Celia A. Murphy
Assistant Examiner — John Windmuller
(74) *Attorney, Agent, or Firm* — Fay Sharpe LLP; James E. Scarbrough

(57) **CLAIM**
The ornamental design for a clip, as shown and described.

(56) **References Cited**
U.S. PATENT DOCUMENTS
616,385 A * 12/1898 Winget 248/504
2,184,569 A * 12/1939 Stewart 24/555
3,003,215 A * 10/1961 Fernberg 24/562
3,021,581 A * 2/1962 Cook et al. 24/457
3,208,119 A * 9/1965 Seckerson 52/716.6
4,006,992 A * 2/1977 Persson 402/47
4,332,060 A * 6/1982 Sato 24/67.9
4,525,902 A * 7/1985 Haytayan 24/350
4,563,051 A * 1/1986 Slachetka 439/607.41
4,684,305 A * 8/1987 Dubost 411/174
4,696,081 A * 9/1987 Yen 24/558
4,883,397 A * 11/1989 Dubost 411/174

DESCRIPTION

FIG. 1 is a left side elevational view of a clip; with a right side elevational view being a mirror image thereof;
FIG. 2 is a front elevational view thereof;
FIG. 3 is a top plan view thereof;
FIG. 4 is a bottom plan view thereof;
FIG. 5 is a rear elevational view thereof;
FIG. 6 is a top perspective view of the clip;
FIG. 7 is a bottom perspective view of the clip;
FIG. 8 is an alternate top perspective view of the clip; and,
FIG. 9 is an alternate bottom perspective view of the clip.

1 Claim, 2 Drawing Sheets

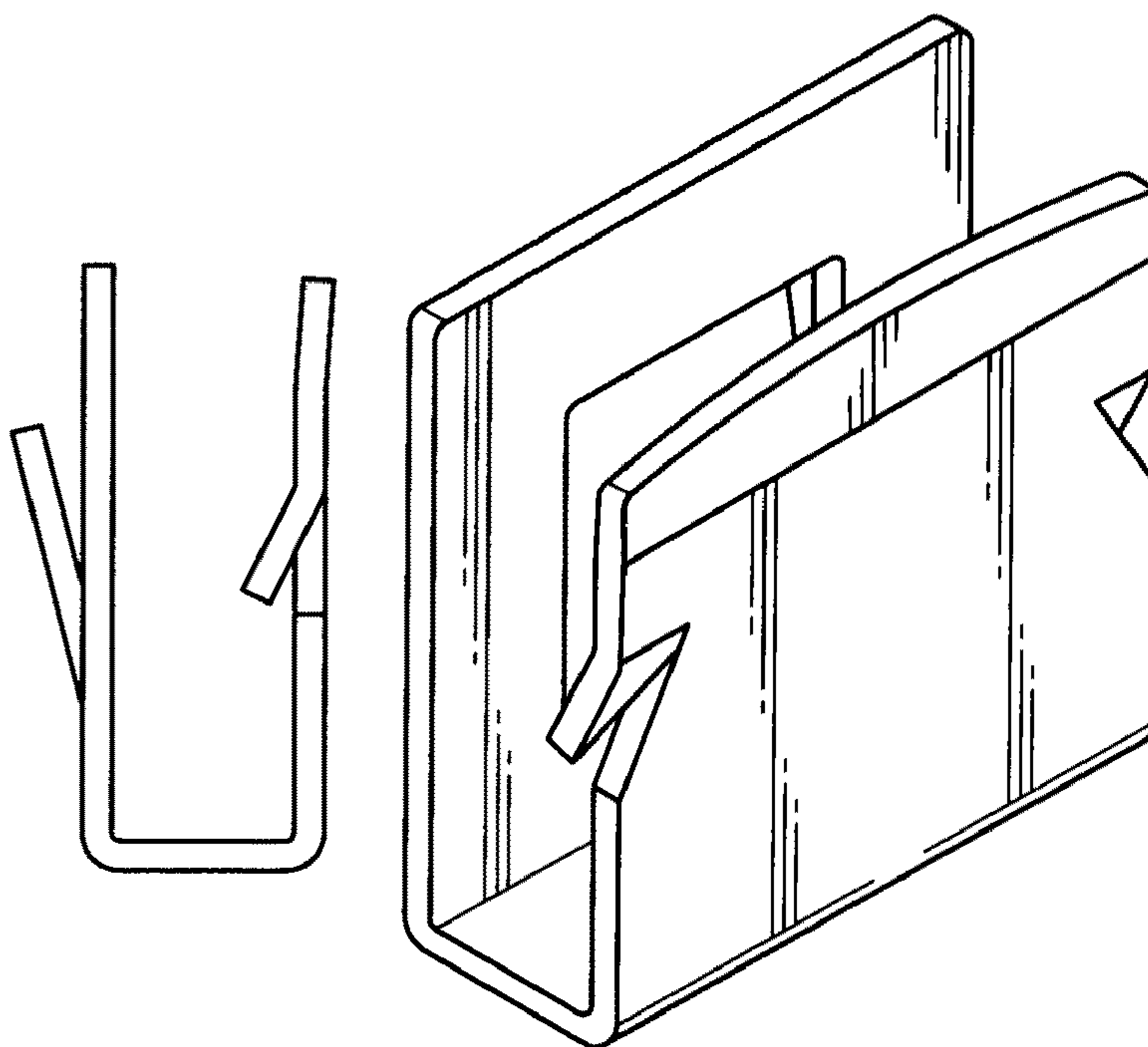


FIG. 2

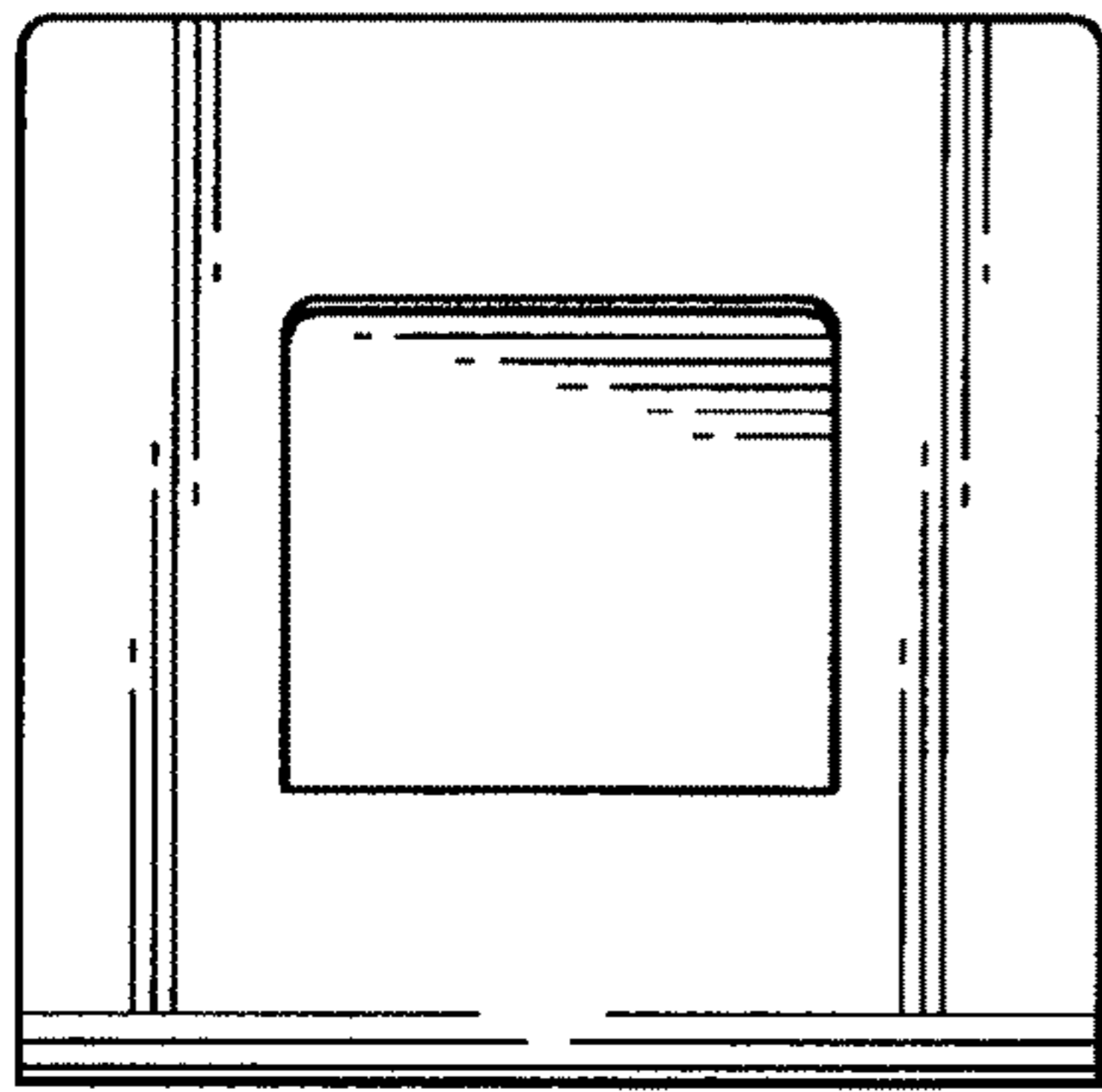
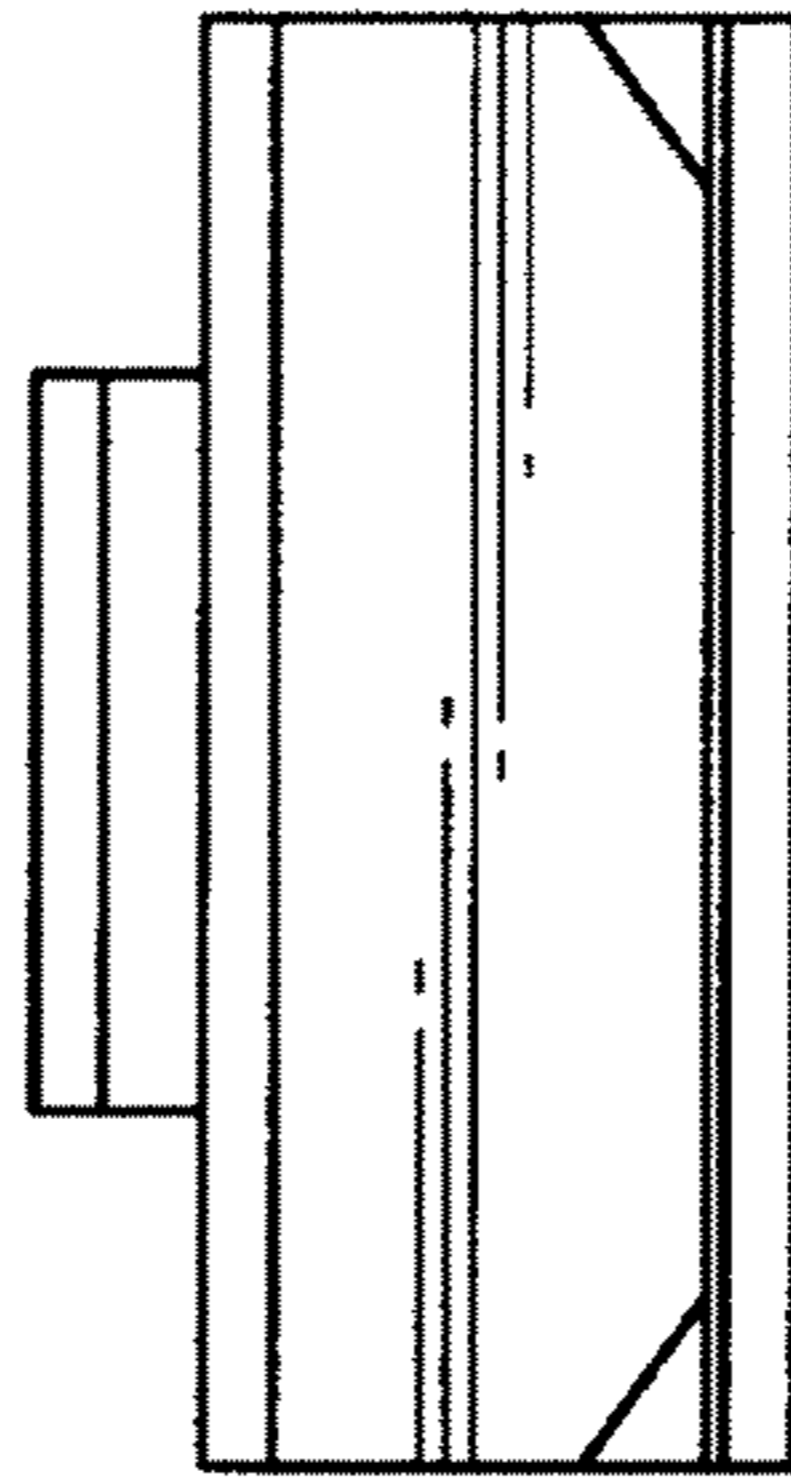


FIG. 3

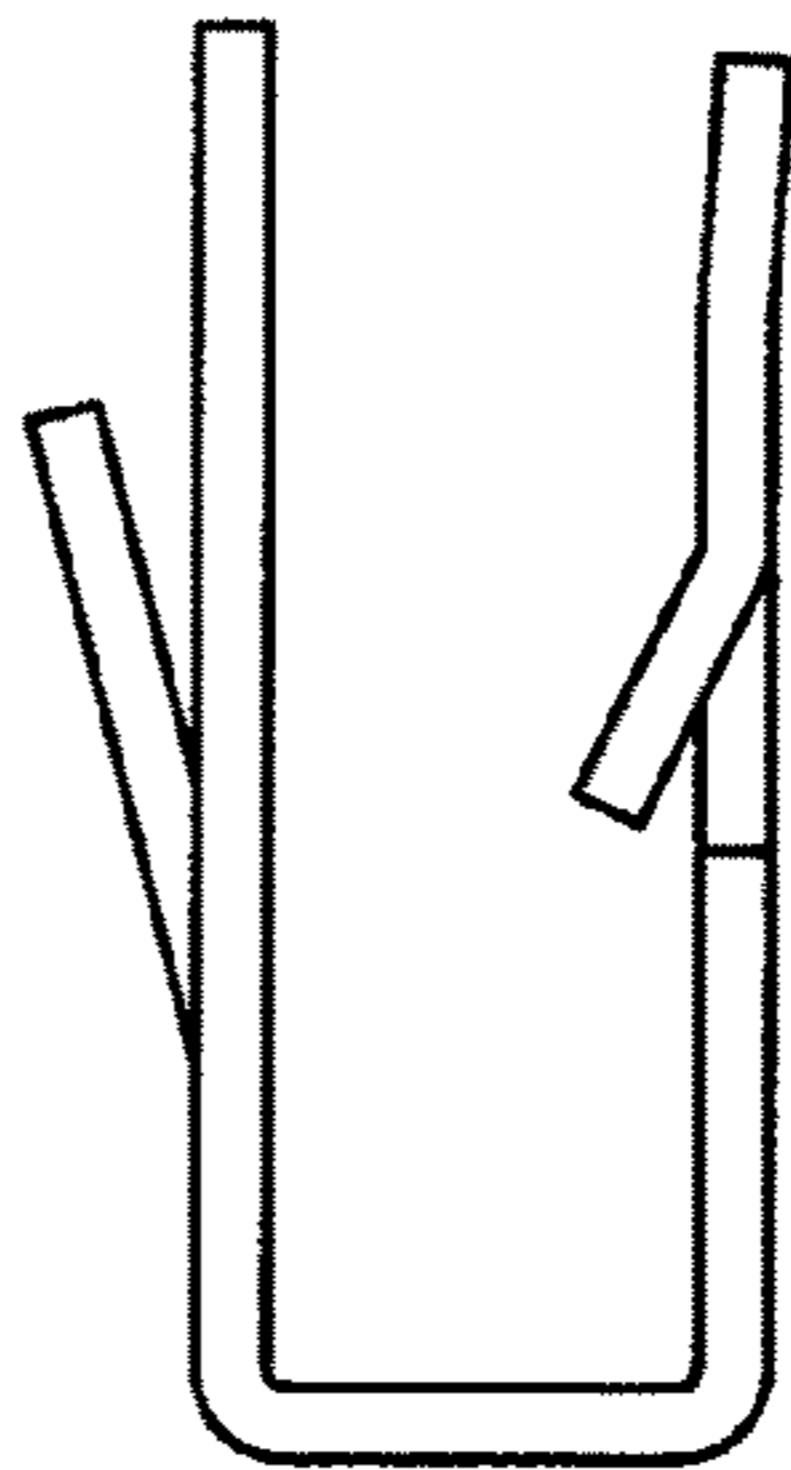


FIG. 1

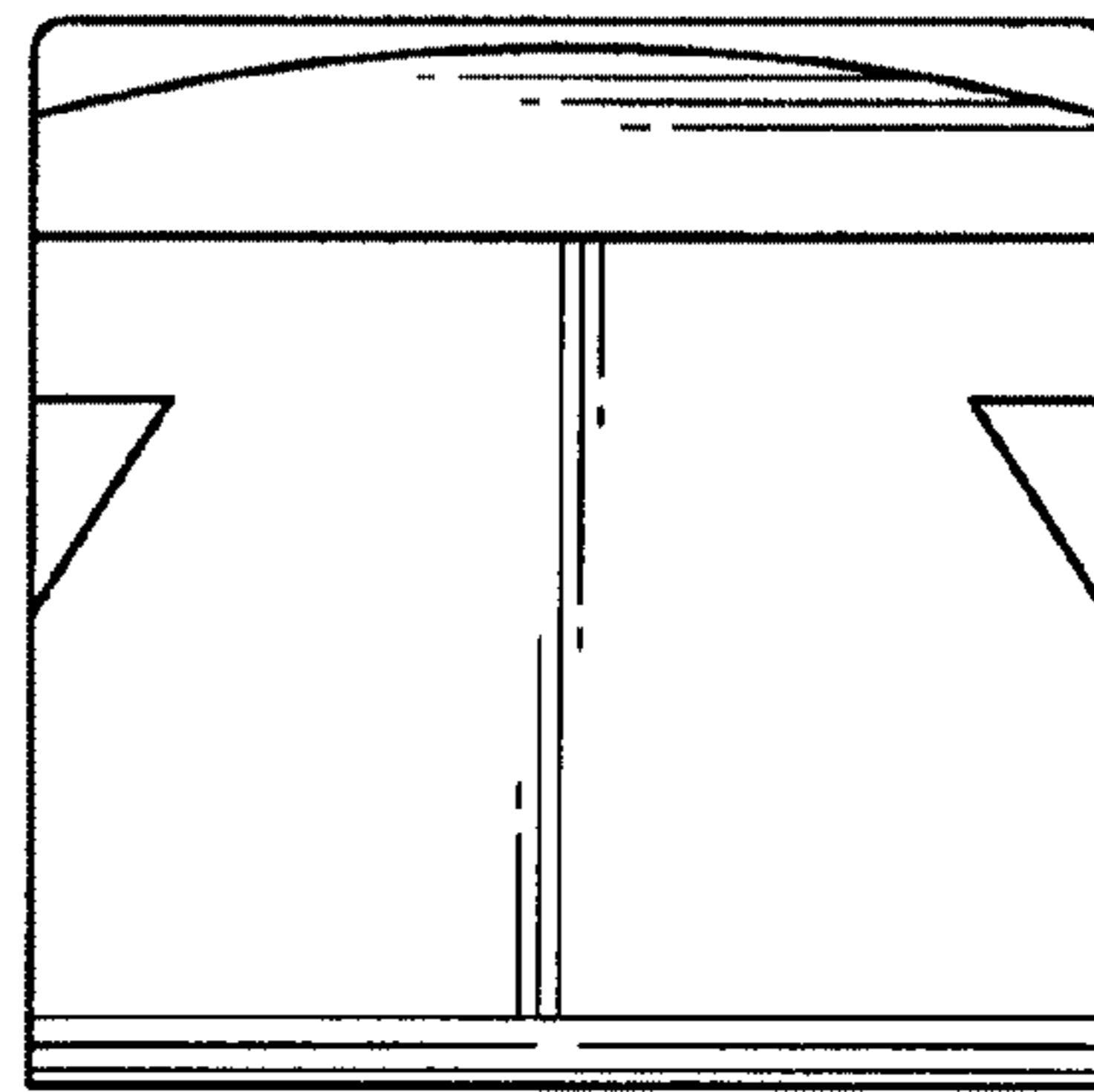
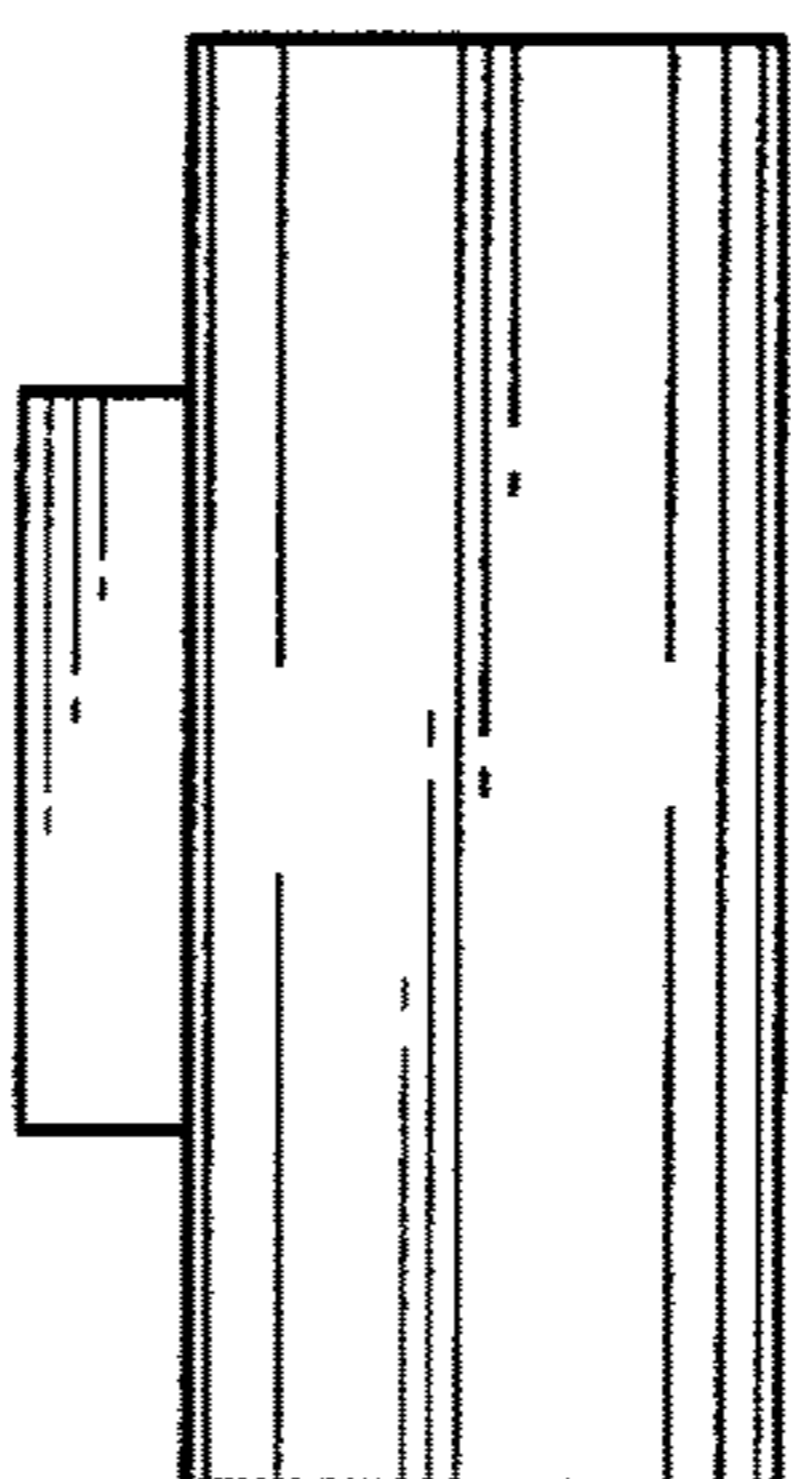


FIG. 4

FIG. 5



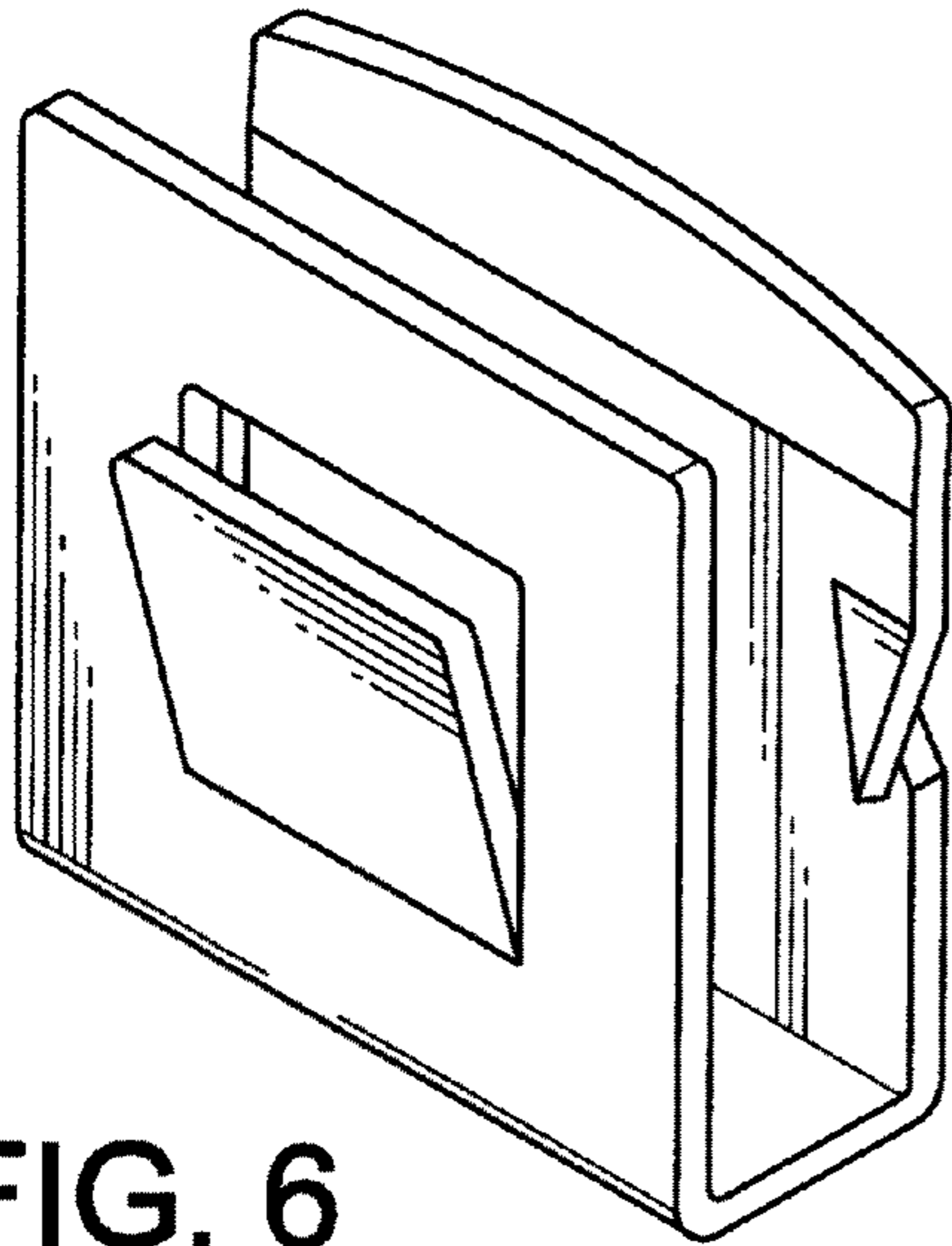


FIG. 6

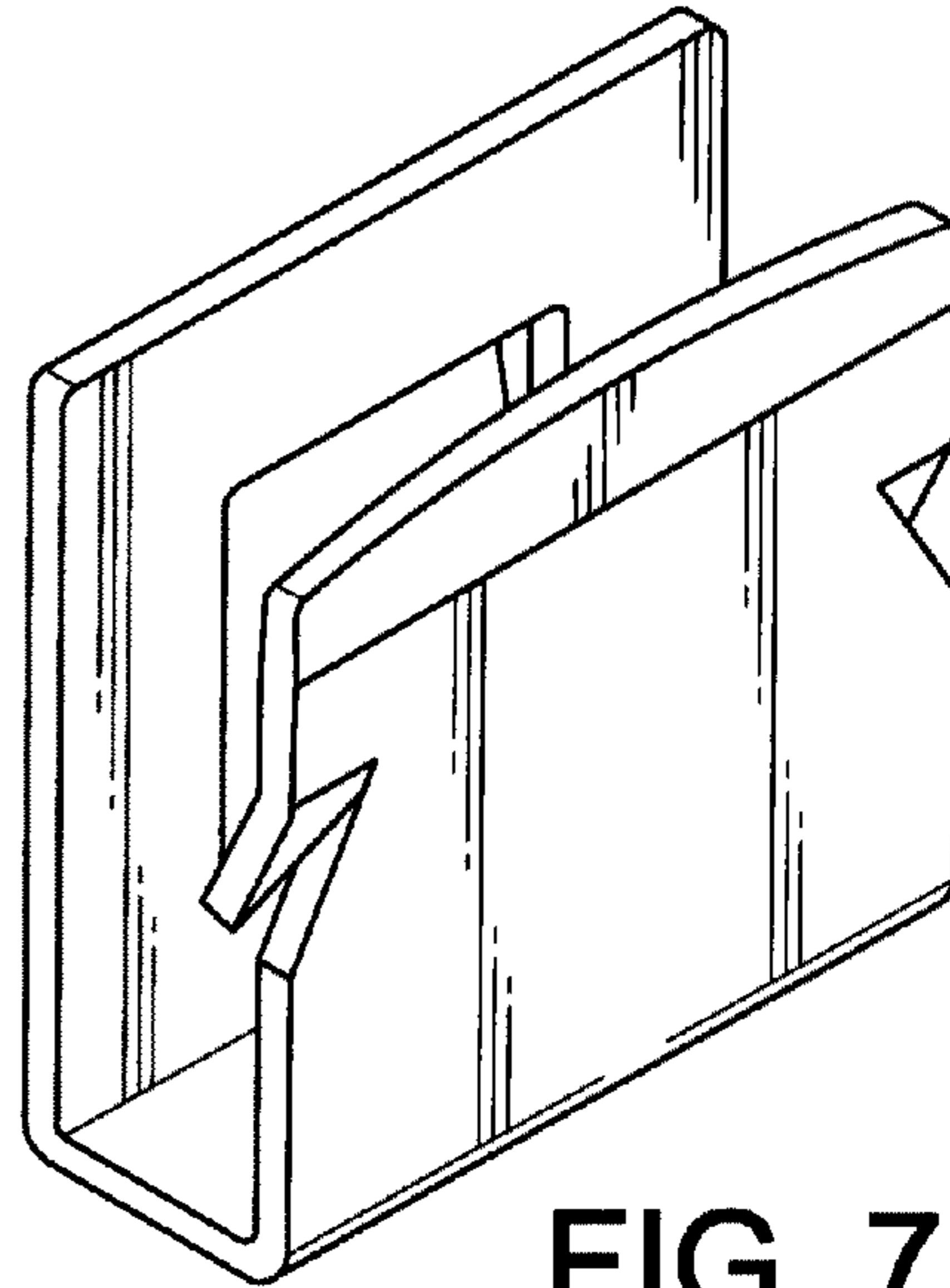


FIG. 7

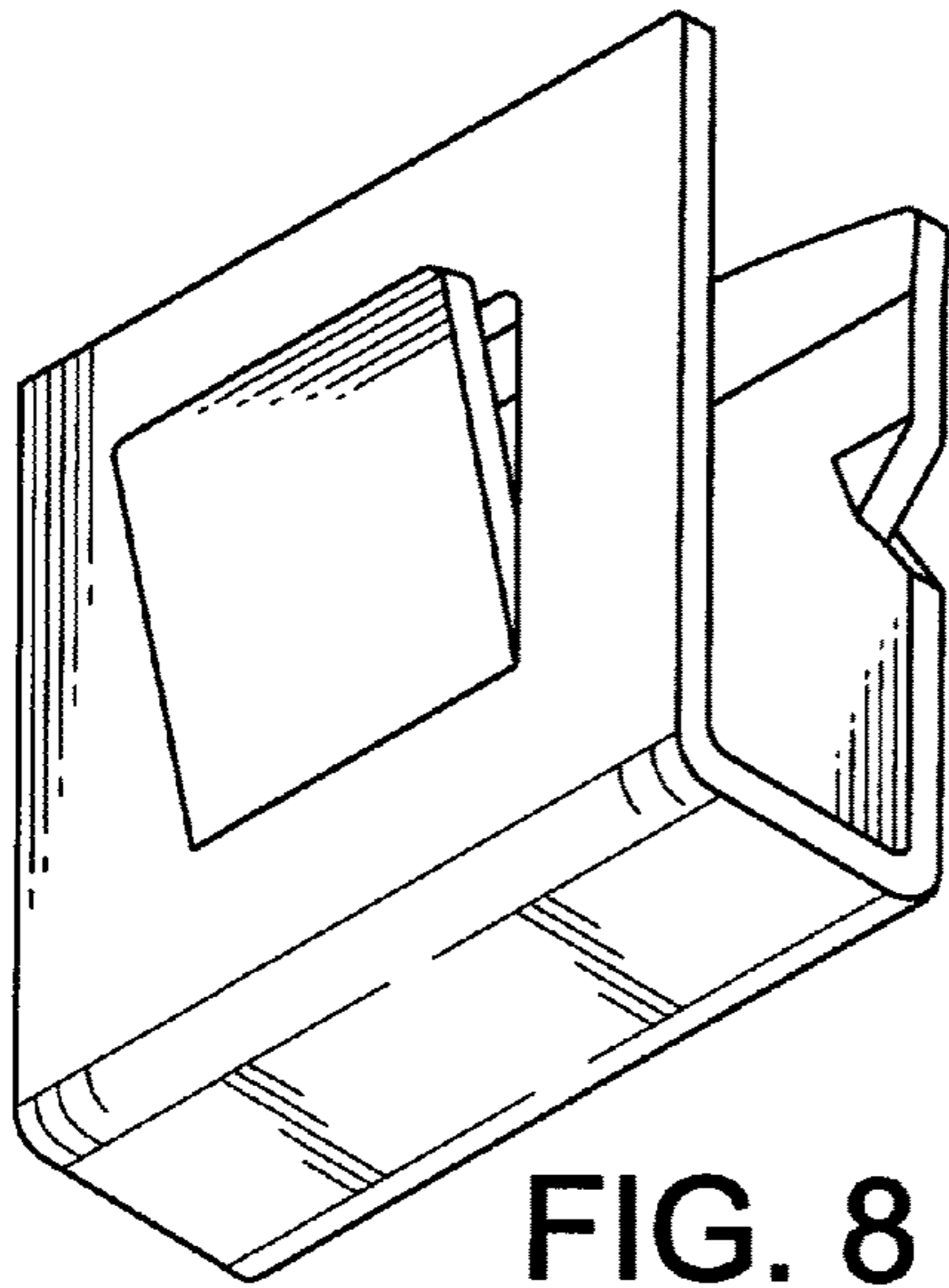


FIG. 8

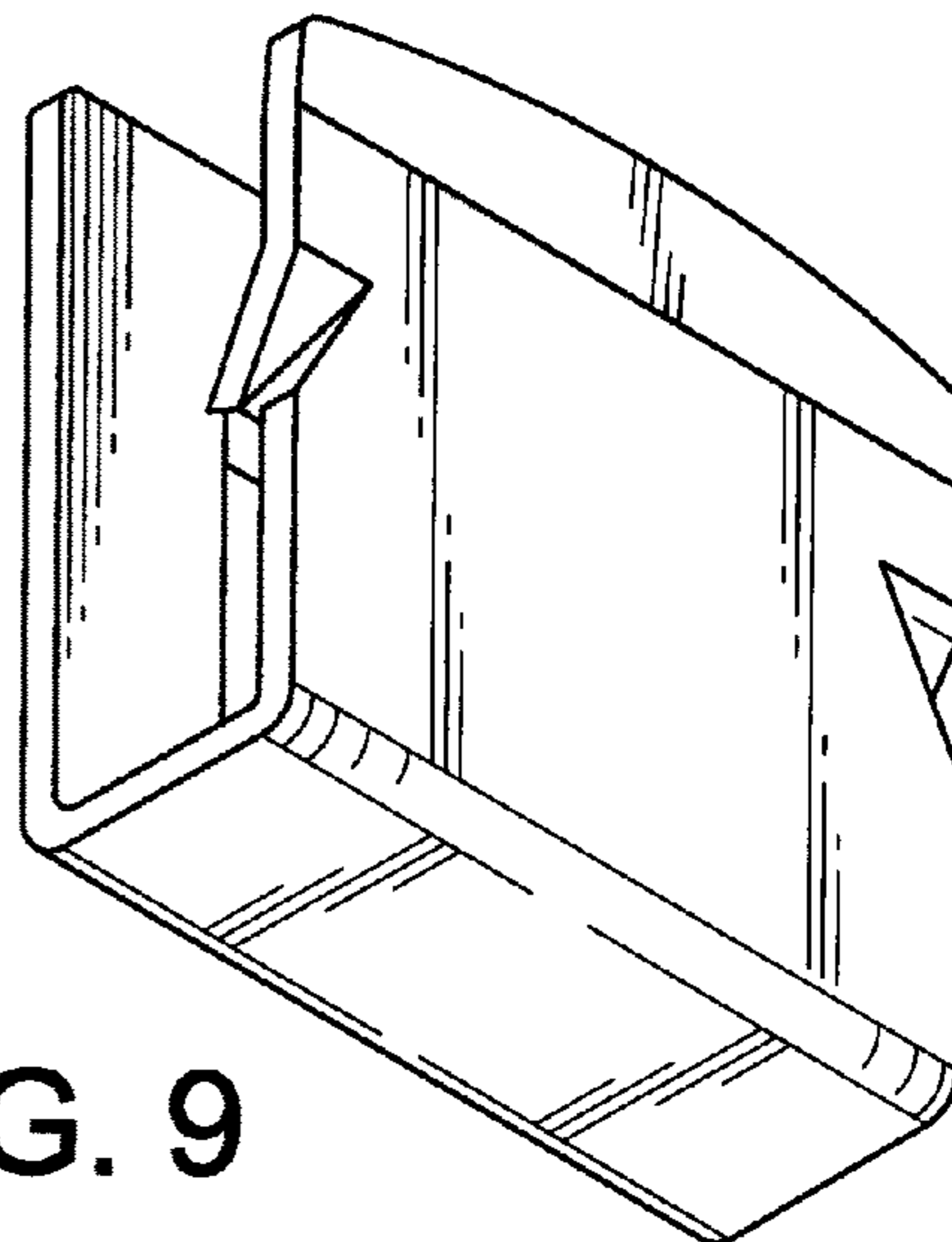


FIG. 9