



US00D653940S

(12) **United States Design Patent**
Yasher

(10) **Patent No.:** **US D653,940 S**

(45) **Date of Patent:** **** Feb. 14, 2012**

(54) **CLIP**
(75) Inventor: **Gregg Yasher**, Independence, OH (US)
(73) Assignee: **Precision Perfect Product Development Company**, North Royalton, OH (US)

(**) Term: **14 Years**

(21) Appl. No.: **29/387,738**

(22) Filed: **Mar. 17, 2011**

(51) **LOC (9) Cl.** **08-08**

(52) **U.S. Cl.** **D8/395**

(58) **Field of Classification Search** D8/354,
D8/356, 371, 394-396; D19/65, 86; D24/128;
248/74.2, 215, 227.1, 49, 300, 301, 316.7,
248/51, 489; 24/570, 3.12, 67.9, 67 P, 555,
24/556, 562, 563, 564

See application file for complete search history.

4,883,397	A *	11/1989	Dubost	411/174
5,309,181	A *	5/1994	Ota et al.	346/145
D372,498	S *	8/1996	Sato	D19/65
5,606,777	A *	3/1997	Lu	24/67.9
5,619,789	A *	4/1997	Chung	29/814
5,806,147	A *	9/1998	Sato	24/67.9
5,937,485	A *	8/1999	Dittmer	24/67 R
6,112,383	A *	9/2000	Salam	27/28
6,530,747	B1 *	3/2003	Schneider et al.	416/144
D479,146	S *	9/2003	Manley	D11/78.1
6,691,380	B2 *	2/2004	Vassiliou	24/295
6,796,006	B2 *	9/2004	Hansen	24/297
D526,356	S *	8/2006	Shinya	D19/65
2003/0208887	A1 *	11/2003	Lee	24/67.9

* cited by examiner

Primary Examiner — Celia A. Murphy

Assistant Examiner — John Windmuller

(74) *Attorney, Agent, or Firm* — Fay Sharpe LLP; James E. Scarbrough

(57) **CLAIM**

The ornamental design for a clip, as shown and described.

(56) **References Cited**

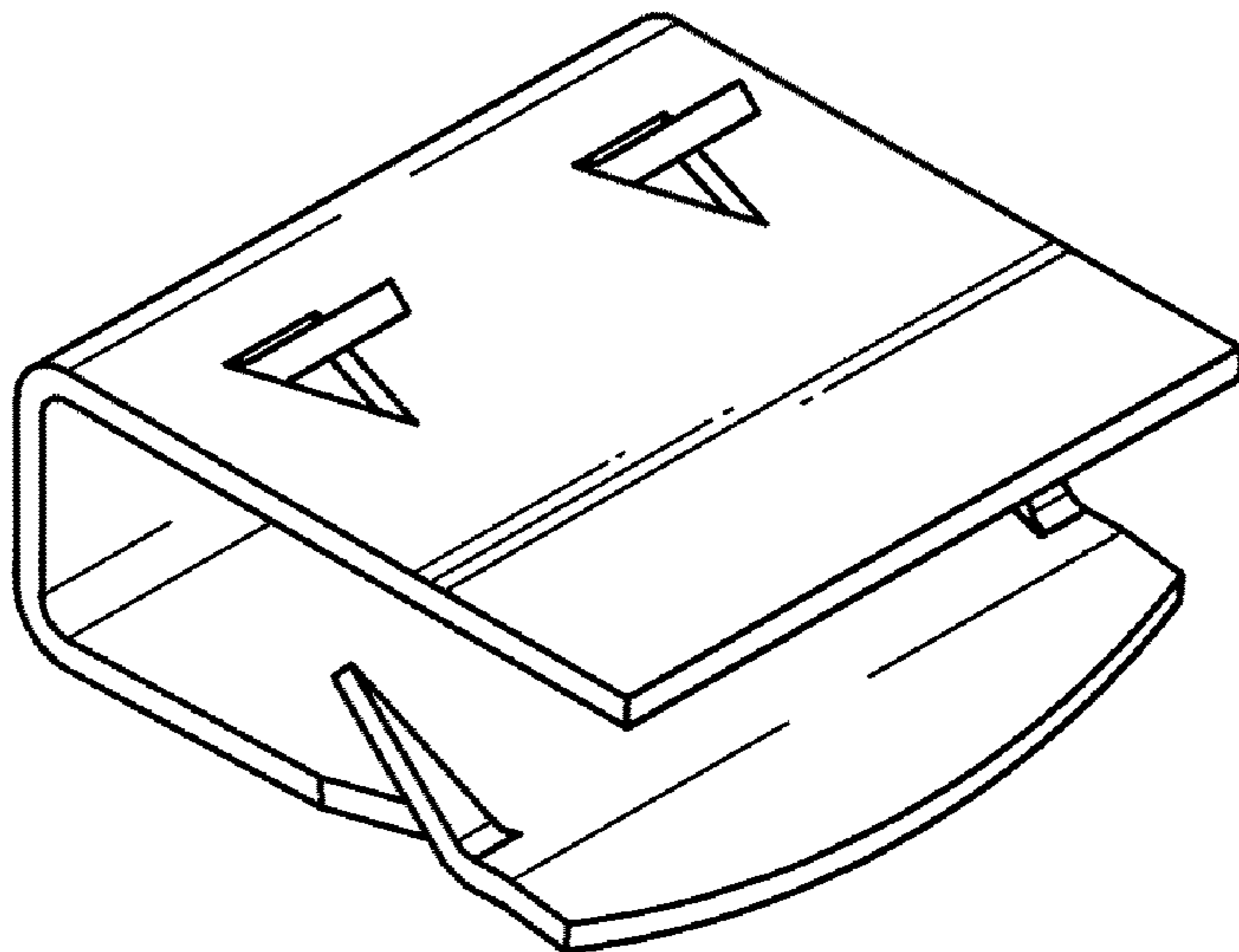
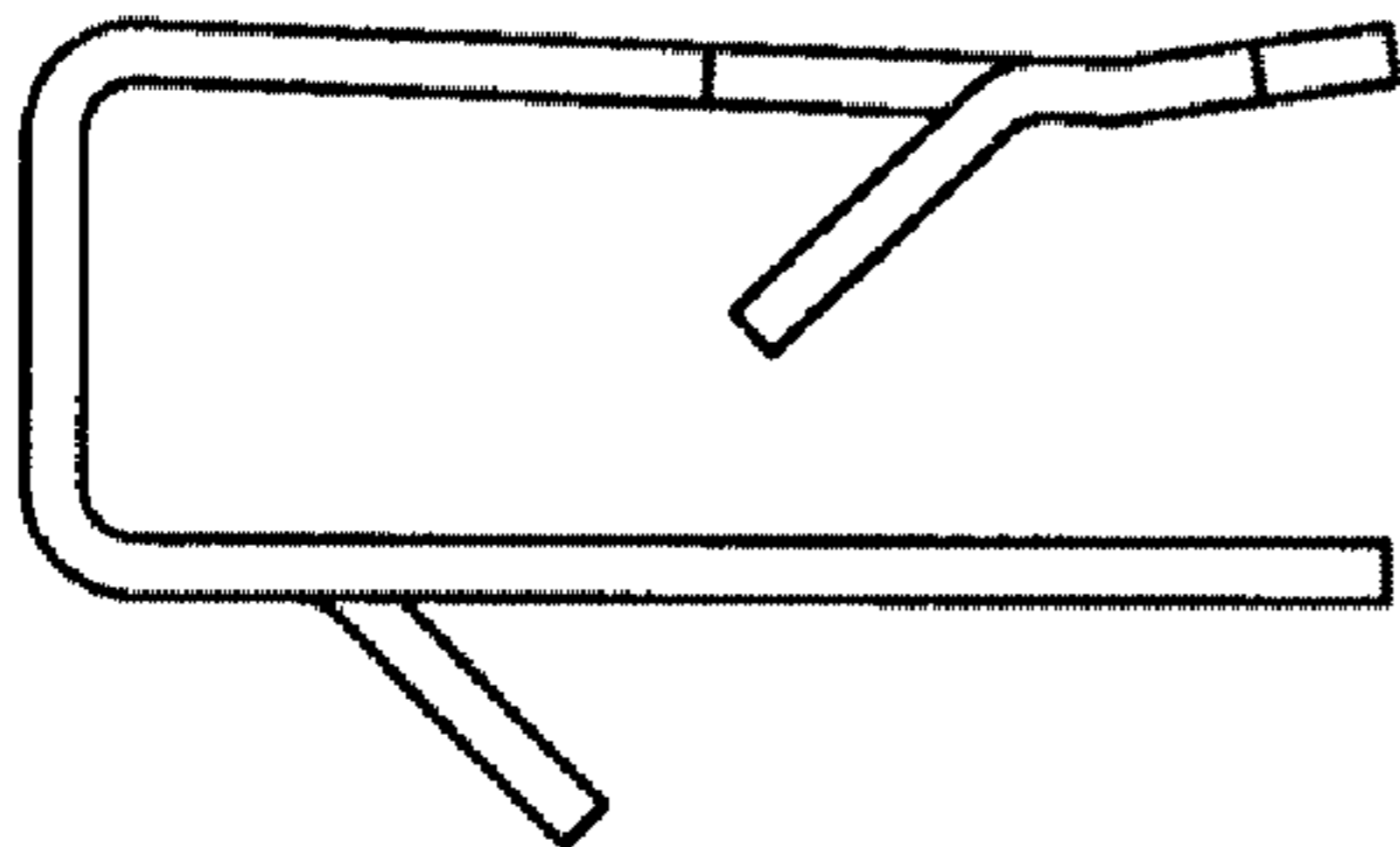
U.S. PATENT DOCUMENTS

616,385	A *	12/1898	Winget	248/504
2,184,569	A *	12/1939	Stewart	24/555
3,003,215	A *	10/1961	Fernberg	24/562
3,021,581	A *	2/1962	Cook et al.	24/457
3,208,119	A *	9/1965	Seckerson	52/716.6
4,006,992	A *	2/1977	Persson	402/47
4,332,060	A *	6/1982	Sato	24/67.9
4,525,902	A *	7/1985	Haytayan	24/350
4,563,051	A *	1/1986	Slachetka	439/607.41
4,684,305	A *	8/1987	Dubost	411/174
4,696,081	A *	9/1987	Yen	24/558

DESCRIPTION

FIG. 1 is a left side elevational view of a clip; with a right side elevational view being a mirror image thereof;
FIG. 2 is a front elevational view thereof;
FIG. 3 is a top plan view thereof;
FIG. 4 is a rear elevational view thereof;
FIG. 5 is a bottom plan view thereof;
FIG. 6 is a top perspective view of the clip; and,
FIG. 7 is a bottom perspective view of the clip.

1 Claim, 2 Drawing Sheets



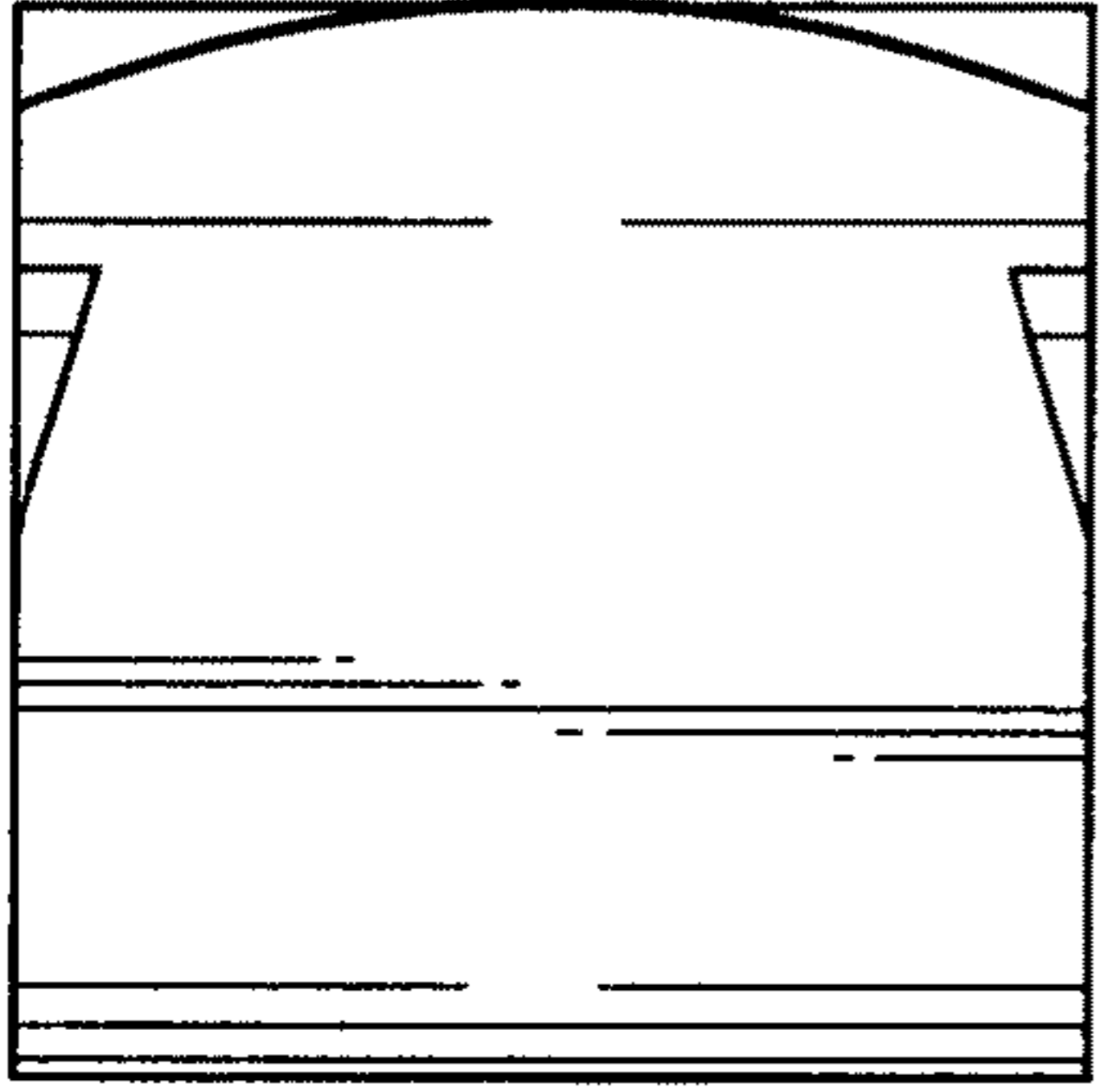


FIG. 3

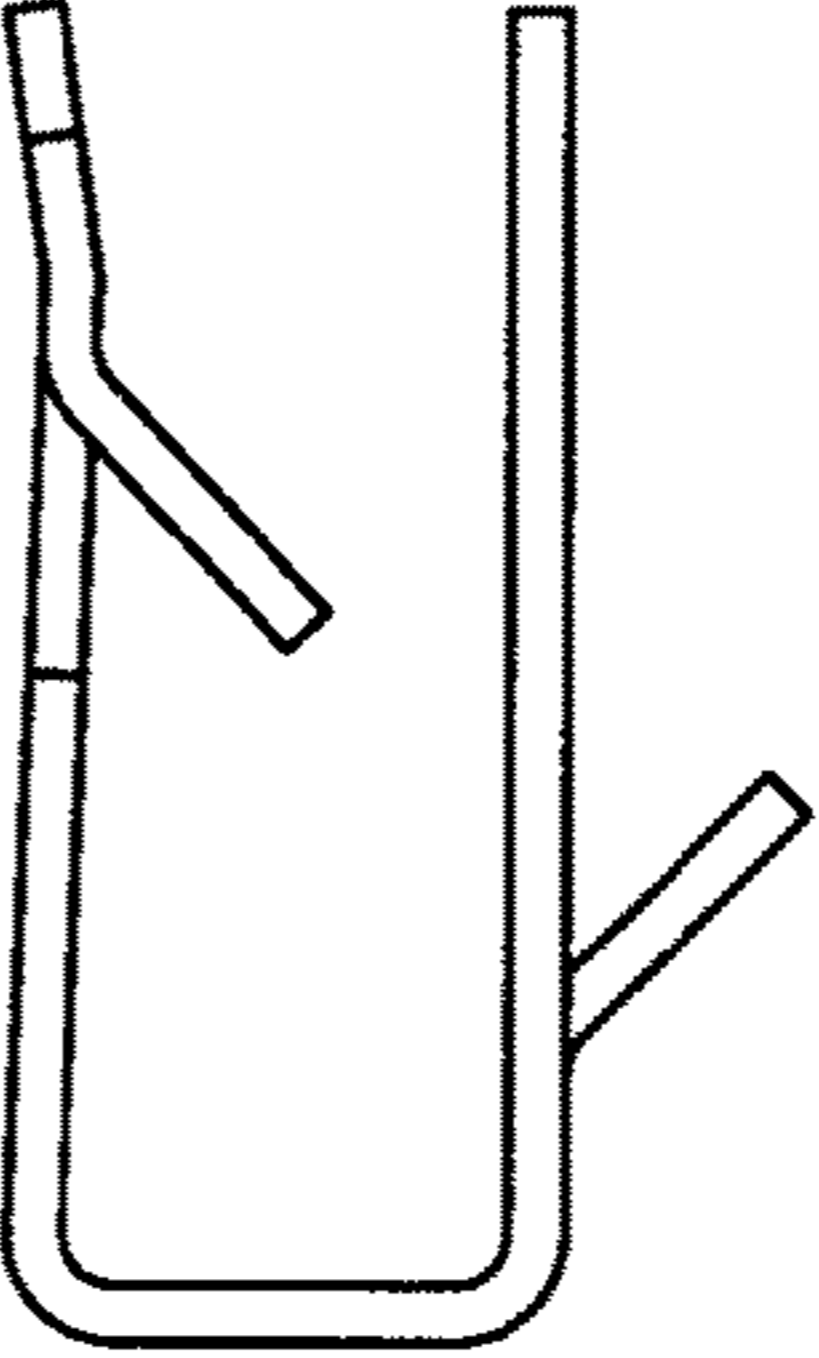


FIG. 1

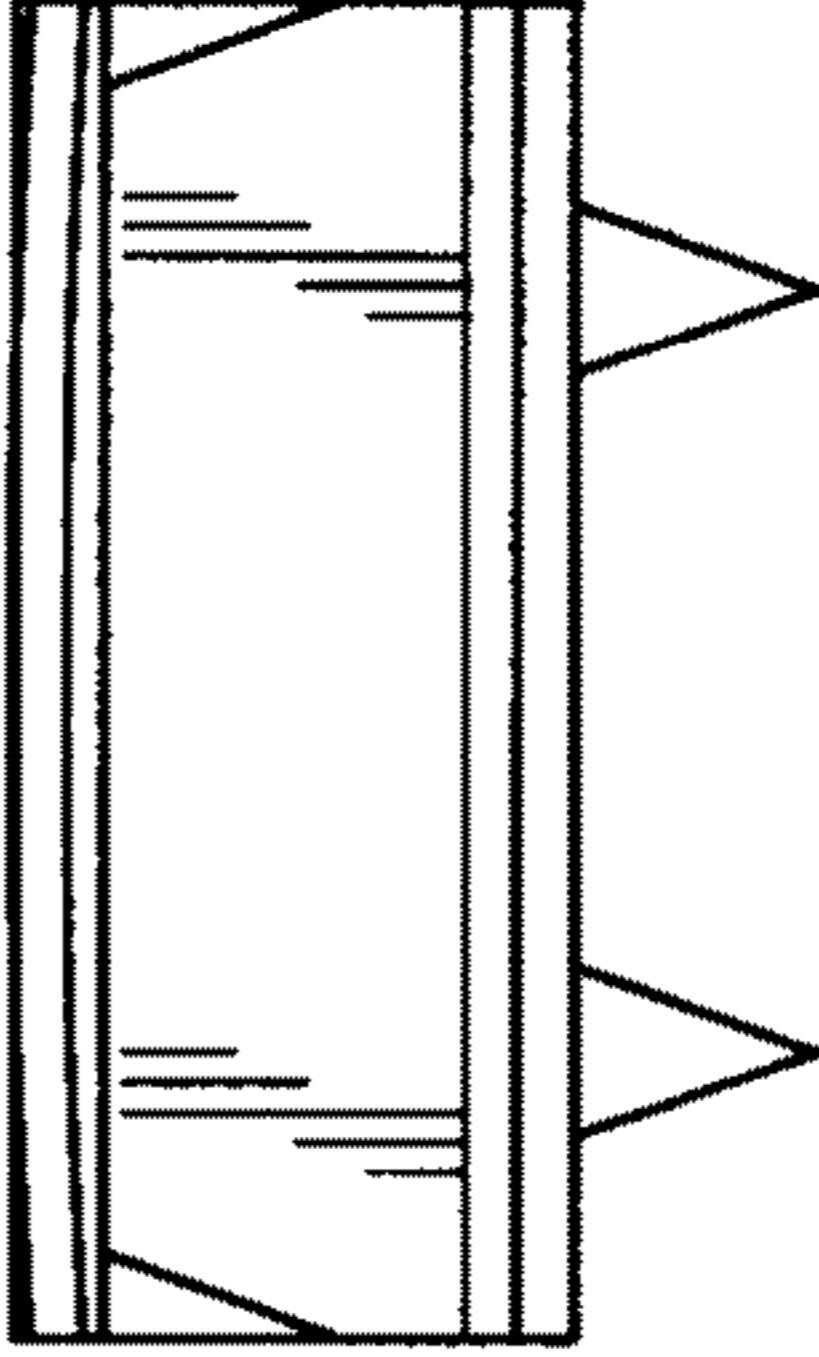


FIG. 2

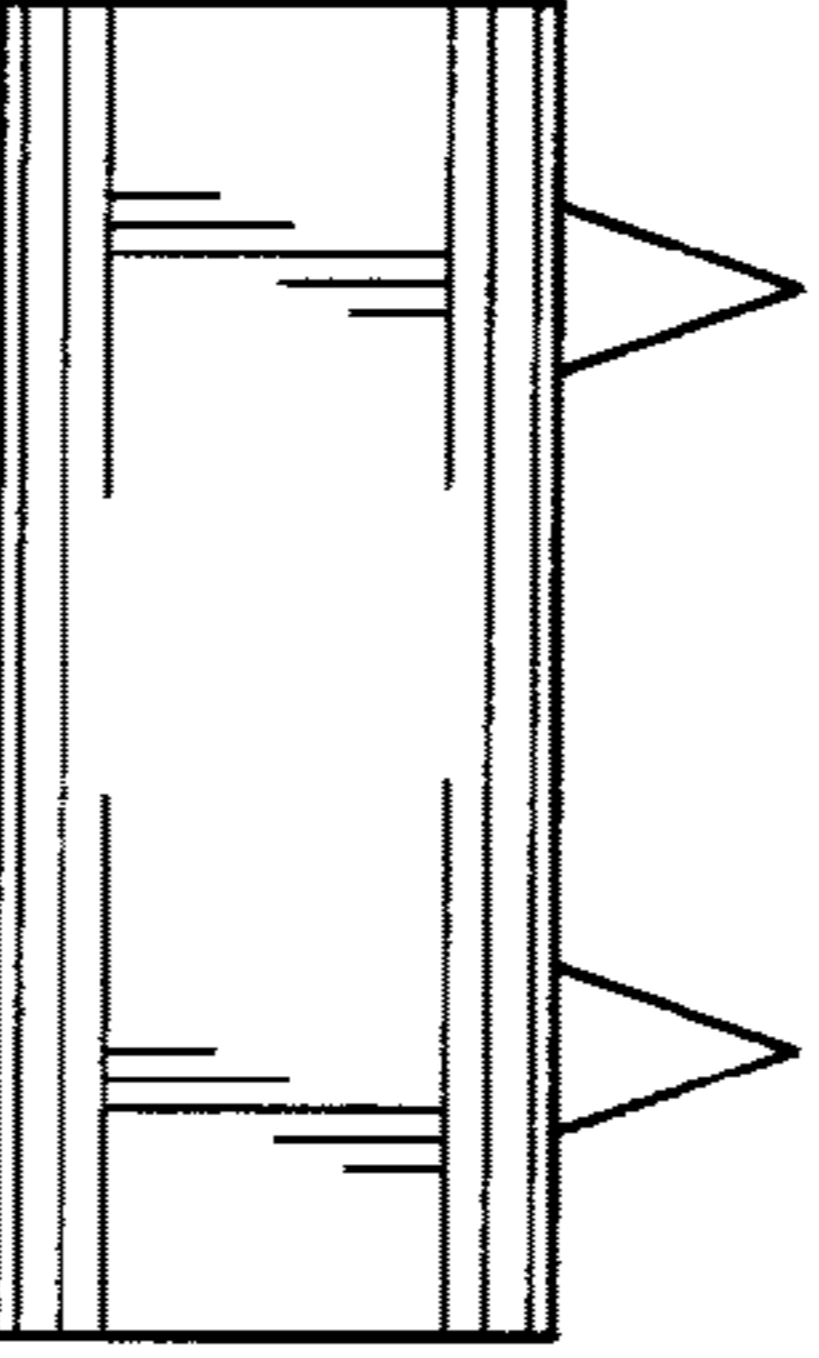


FIG. 4

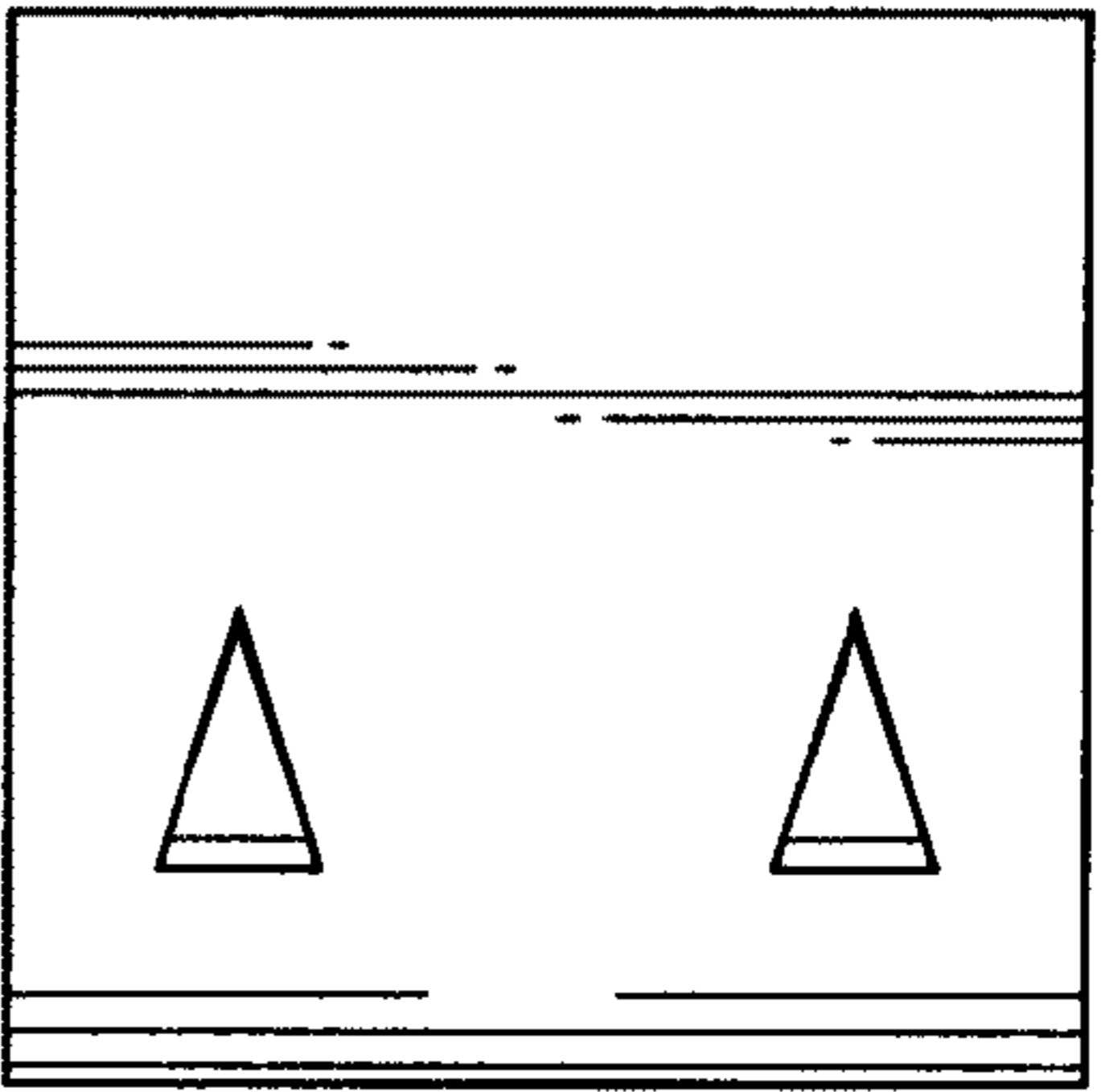


FIG. 5

FIG. 6

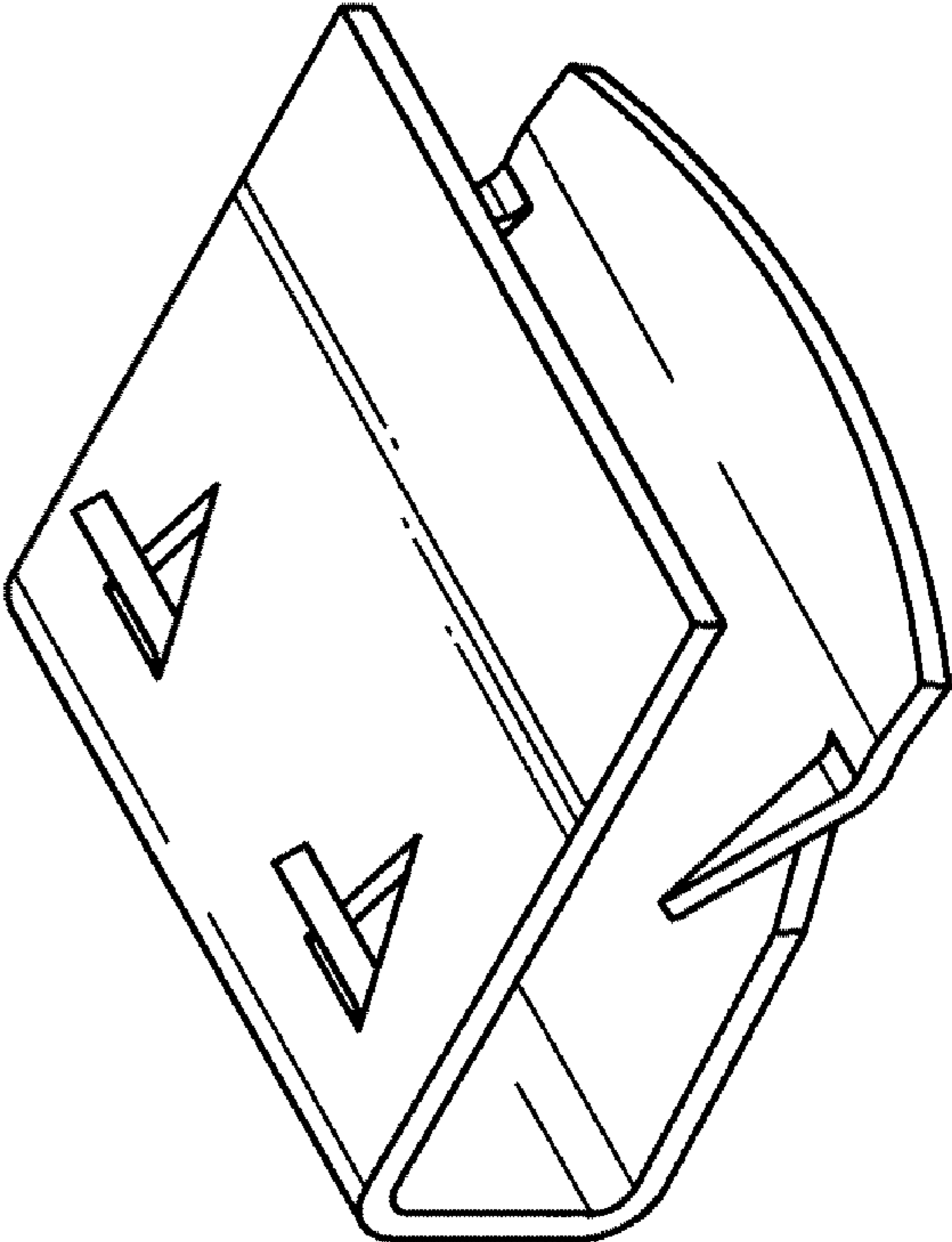
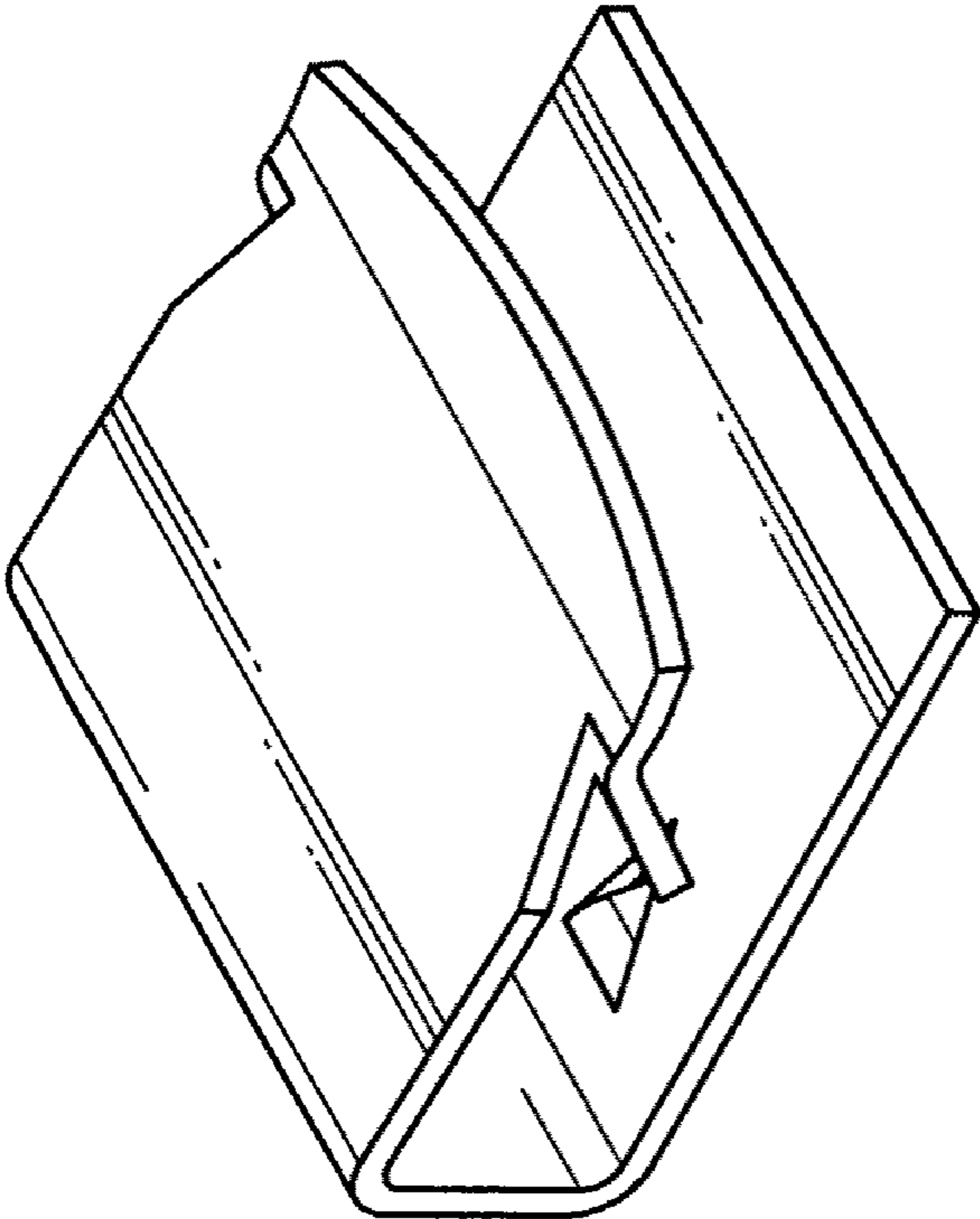


FIG. 7