

US00D653937S

(12) **United States Design Patent**  
**Kitten**

(10) **Patent No.:** **US D653,937 S**

(45) **Date of Patent:** **\*\* Feb. 14, 2012**

(54) **SHELF CLIP**

(75) Inventor: **Leo Kitten**, Teutopolis, IL (US)

(73) Assignee: **Stevens Investing Inc.**

(\*\*) Term: **14 Years**

(21) Appl. No.: **29/376,972**

(22) Filed: **Oct. 14, 2010**

(51) **LOC (9) Cl.** ..... **08-05**

(52) **U.S. Cl.** ..... **D8/381**

(58) **Field of Classification Search** ..... D8/394,  
D8/381, 380, 373, 371, 366, 354, 349; D6/574,  
D6/511, 479, 478, 474, 466, 463, 436, 399;  
D25/132, 131, 126, 123; D23/267; 248/68.1,  
248/65, 49, 243; 211/87.01, 191-193, 188,  
211/187, 134; 108/157.13, 152, 110, 108,  
108/105

See application file for complete search history.

(56) **References Cited**

U.S. PATENT DOCUMENTS

3,471,112 A \* 10/1969 MacDonald et al. .... 248/239  
D289,495 S \* 4/1987 Hughes et al. .... D8/381  
D523,327 S \* 6/2006 Clarke ..... D8/380

\* cited by examiner

*Primary Examiner* — Susan Bennett Hattan

(74) *Attorney, Agent, or Firm* — Michael Berns

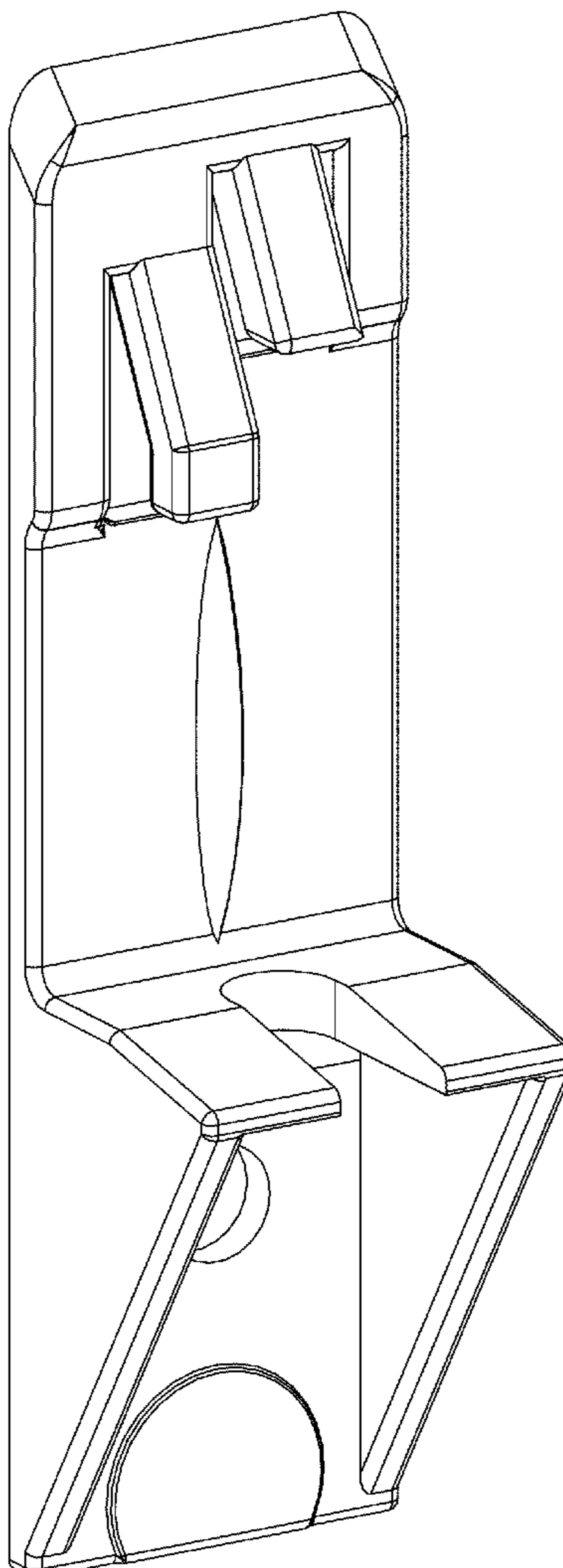
(57) **CLAIM**

The ornamental design for a shelf clip, as shown.

**DESCRIPTION**

FIG. 1 is an back view of the invention.  
FIG. 2 is a bottom view of the invention.  
FIG. 3 is a front view of the invention.  
FIG. 4 is an isometric view of the back of the invention.  
FIG. 5 is an isometric view of the front of the invention.  
FIG. 6 is a right side view of the invention; and,  
FIG. 7 is a top view of the invention.

**1 Claim, 7 Drawing Sheets**



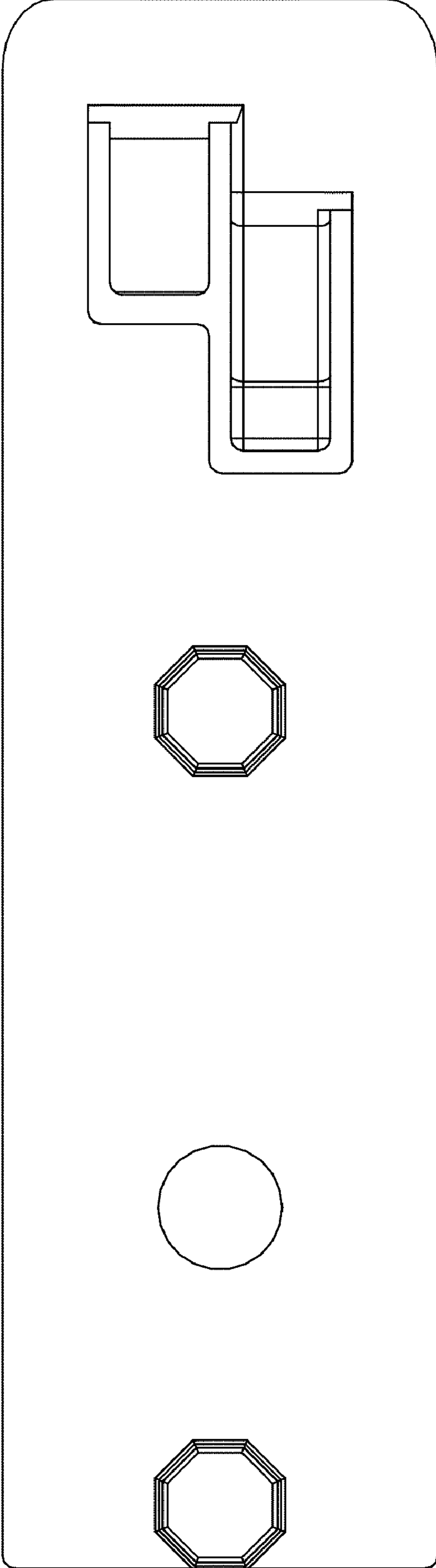


FIG. 1

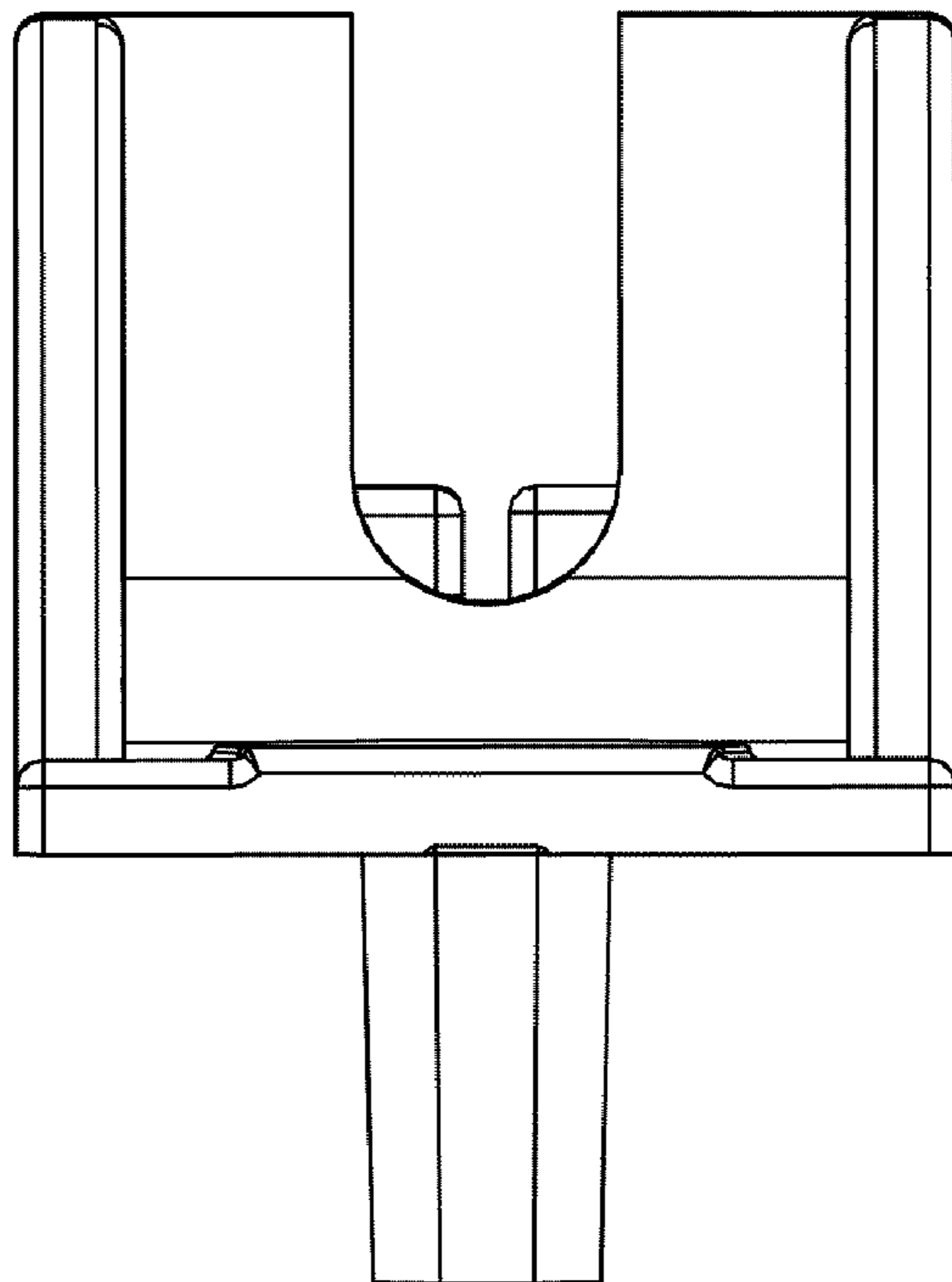


FIG. 2

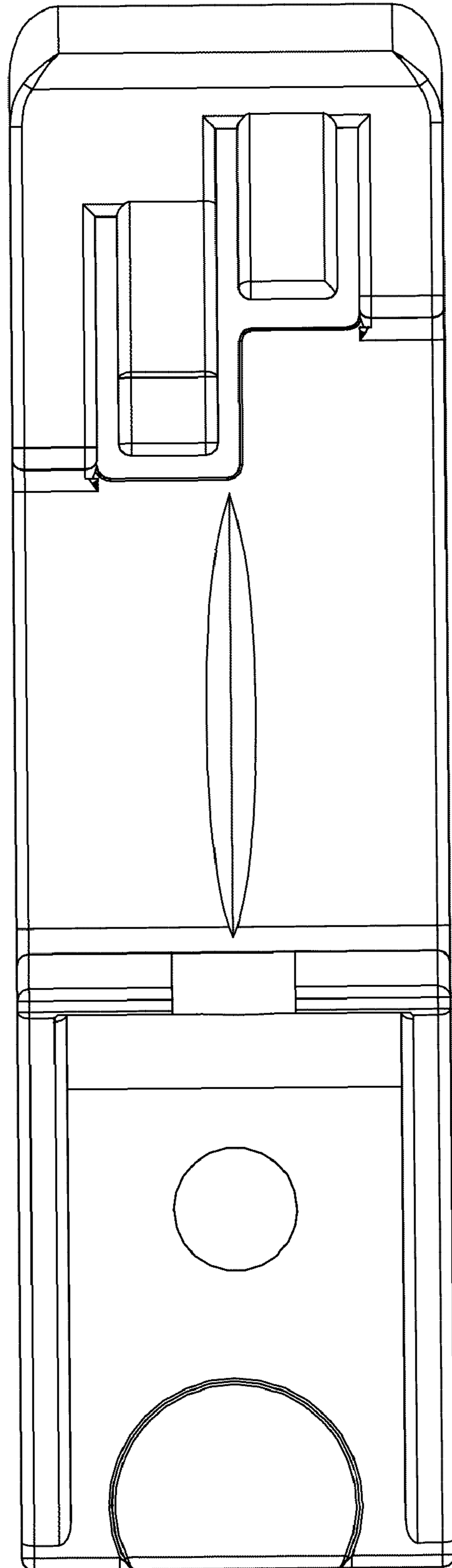


FIG. 3

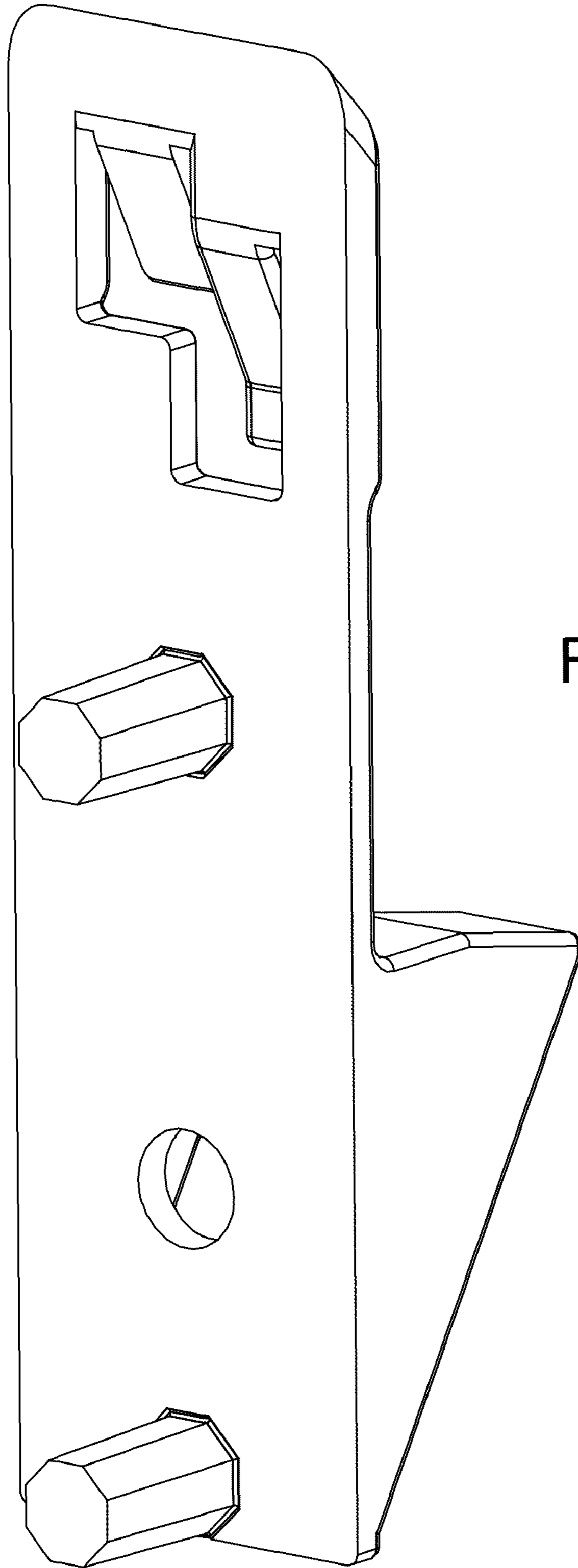


FIG. 4

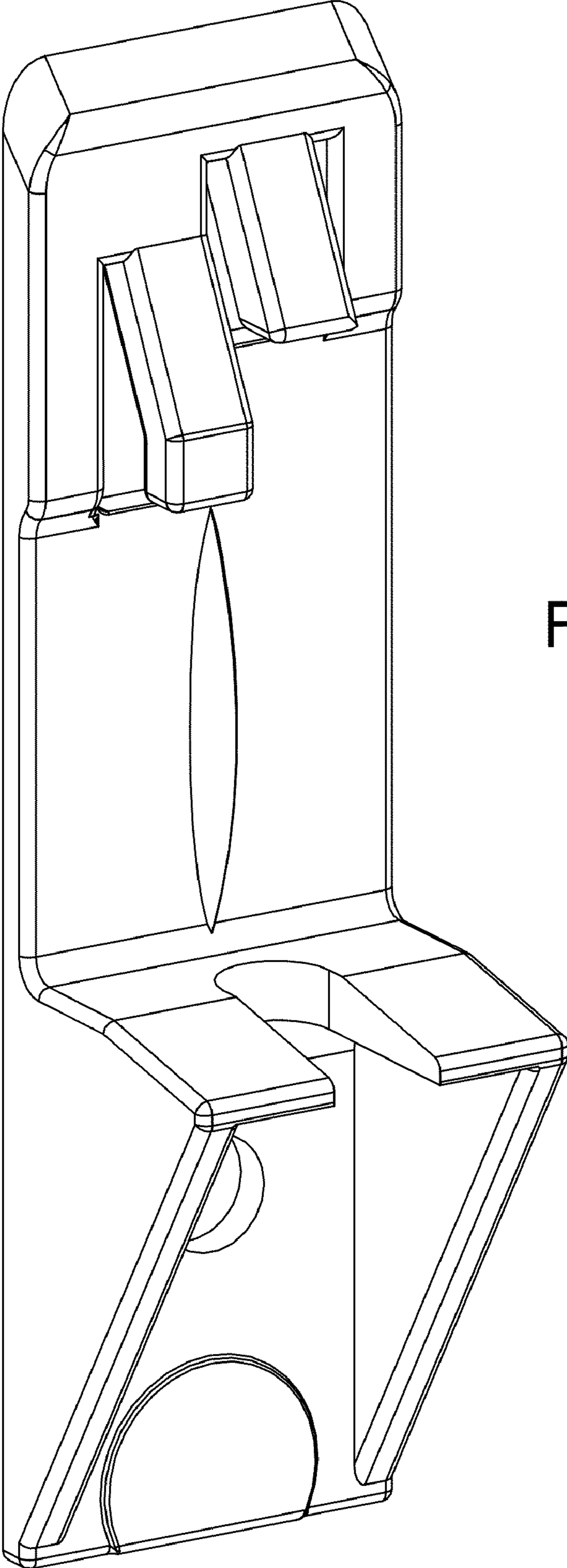


FIG. 5

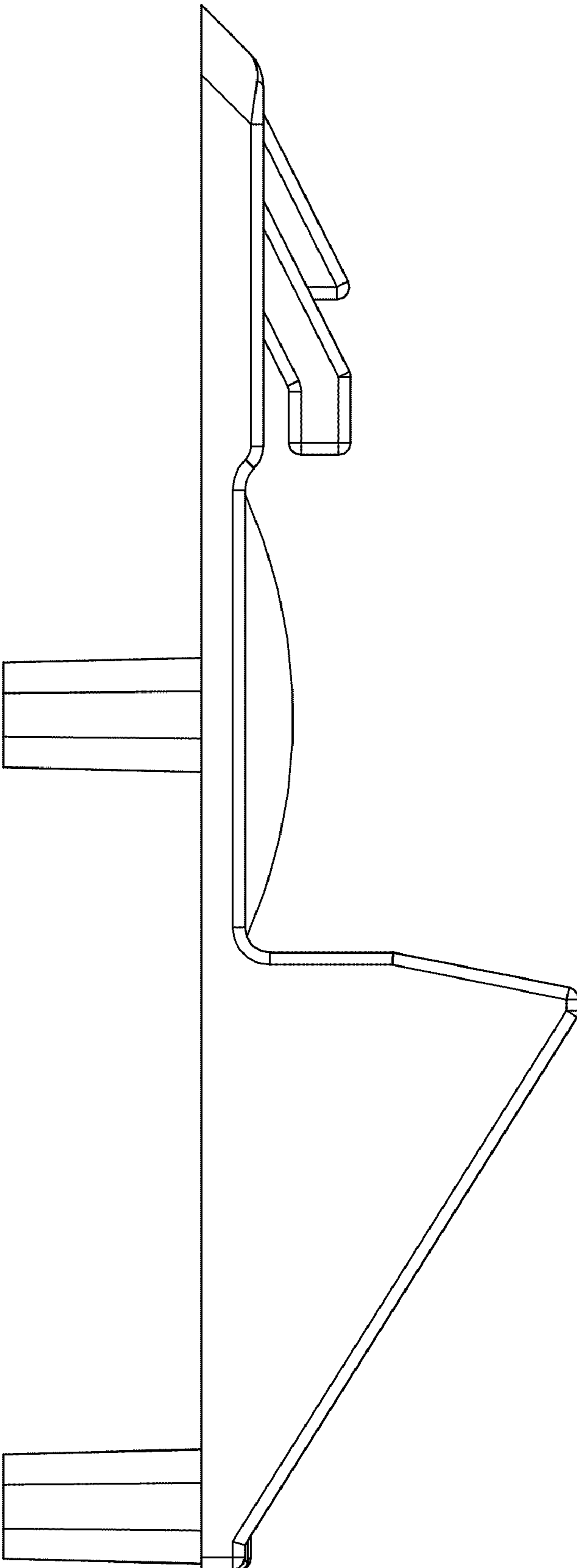


FIG. 6

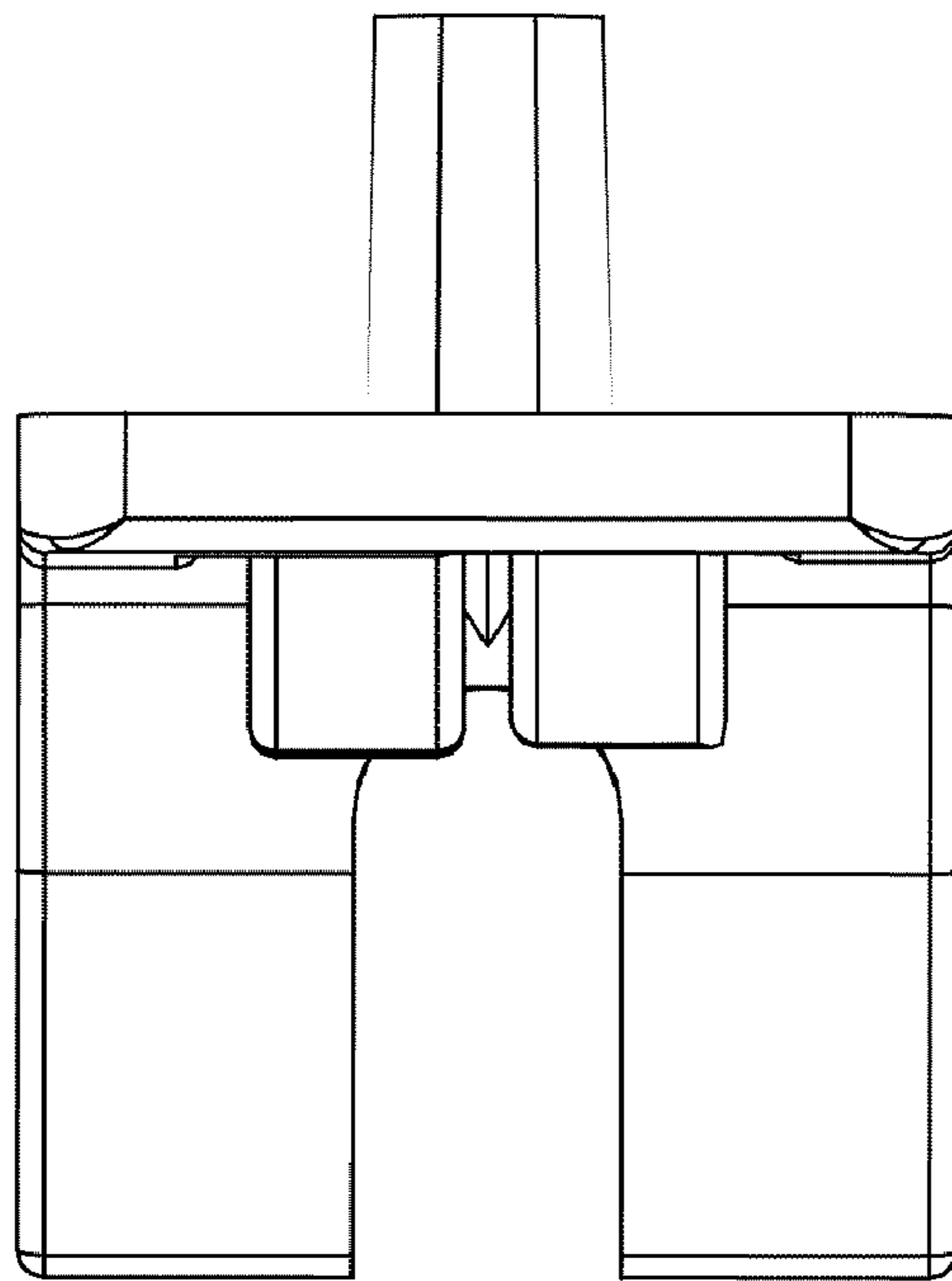


FIG. 7