



US00D653936S

(12) **United States Design Patent**
Sempliner et al.

(10) **Patent No.:** **US D653,936 S**
(45) **Date of Patent:** **** Feb. 14, 2012**

(54) **GROMMET**

(75) Inventors: **Arthur T. Sempliner**, Douglaston, NY (US); **Jonathan Pettingill**, Brooklyn, NY (US)

(73) Assignee: **Upsite Technologies, Inc.**, Santa Fe, NM (US)

(**) Term: **14 Years**

(21) Appl. No.: **29/385,215**

(22) Filed: **Feb. 10, 2011**

Related U.S. Application Data

(62) Division of application No. 29/359,108, filed on Apr. 6, 2010, now Pat. No. Des. 635,012, which is a division of application No. 12/705,280, filed on Feb. 12, 2010.

(51) **LOC (9) Cl.** **08-05**

(52) **U.S. Cl.** **D8/356**

(58) **Field of Classification Search** D8/356,
D8/355, 354, 353, 349, 363, 371, 382; D13/155;
353/13; 52/144; 16/2.1, 2.2; 174/153 G,
174/135, 72 A; 248/49, 68.1, 544; 5/503.1;
138/106; 277/607

See application file for complete search history.

(56) **References Cited**

U.S. PATENT DOCUMENTS

D50,435 S	3/1917	Stimpson	
D138,739 S	9/1944	Harris	
3,508,229 A *	4/1970	Stencel, Jr. et al.	360/129
4,344,205 A	8/1982	Latino et al.	
D268,895 S	5/1983	Beleckis	
D282,538 S	2/1986	Loof et al.	
D298,494 S	11/1988	Mockett	
D378,408 S	3/1997	Pyeatt et al.	
5,659,924 A	8/1997	Gildersleeve	
5,817,983 A *	10/1998	Rodkey et al.	174/135
6,194,659 B1	2/2001	Cornu	

6,265,670 B1	7/2001	Duesterhoeft et al.	
6,278,061 B1	8/2001	Daoud	
D453,103 S	1/2002	Tell	
D468,622 S	1/2003	Sarkinen et al.	
6,632,999 B2	10/2003	Sempliner et al.	
6,936,770 B2	8/2005	Takedomi et al.	
D538,136 S *	3/2007	Barden et al.	D8/356
7,253,361 B2	8/2007	Nishijima et al.	
D571,641 S *	6/2008	Sempliner et al.	D8/356
7,404,736 B2	7/2008	Herbst et al.	
D575,140 S *	8/2008	Schwartz	D8/356
D579,762 S	11/2008	Sempliner et al.	
7,507,912 B1	3/2009	Sempliner et al.	
D597,823 S	8/2009	Sempliner et al.	
D606,844 S	12/2009	Glass et al.	
D612,225 S	3/2010	Forte	
RE41,353 E	5/2010	McGrath et al.	
D621,502 S *	8/2010	Downs	D24/128
D630,317 S *	1/2011	Wung	D24/128
D632,949 S *	2/2011	Rowley	D8/356
D640,527 S *	6/2011	Hoek	D8/356
2008/0045076 A1 *	2/2008	Dittmann et al.	439/495

FOREIGN PATENT DOCUMENTS

GB 167605 8/1921

* cited by examiner

Primary Examiner — Cynthia Underwood

(74) *Attorney, Agent, or Firm* — St. Onge Steward Johnston & Reens LLC

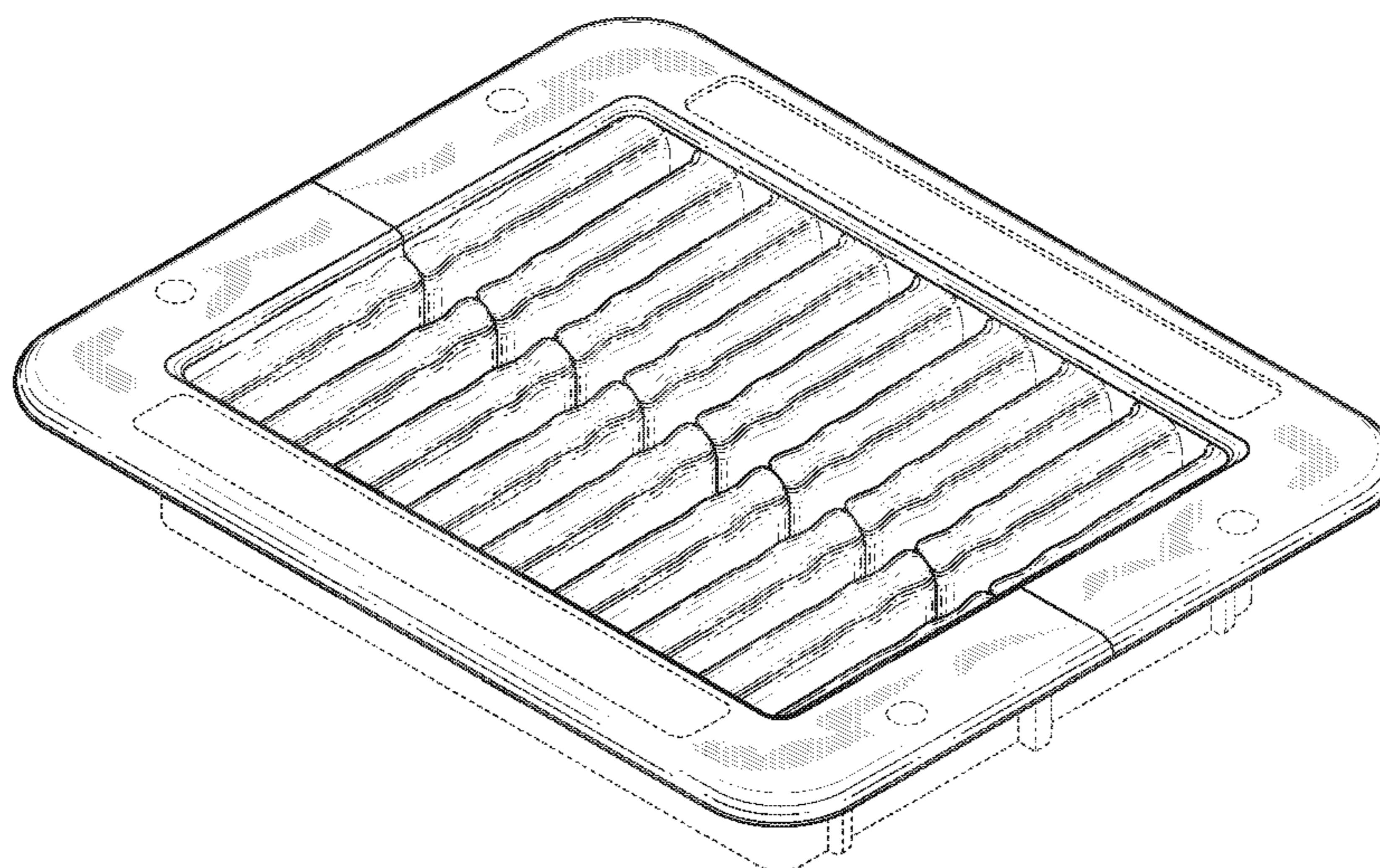
(57) **CLAIM**

The ornamental design for a grommet, as shown and described.

DESCRIPTION

FIG. 1 is a perspective view from above of the grommet in accordance with the new design; and, FIG. 2 is a top plan view of the grommet of FIG. 1. The broken lines are intended to show environmental structure and form no part of the claimed design. The front, back, sides and bottom form no part of the claimed design.

1 Claim, 2 Drawing Sheets



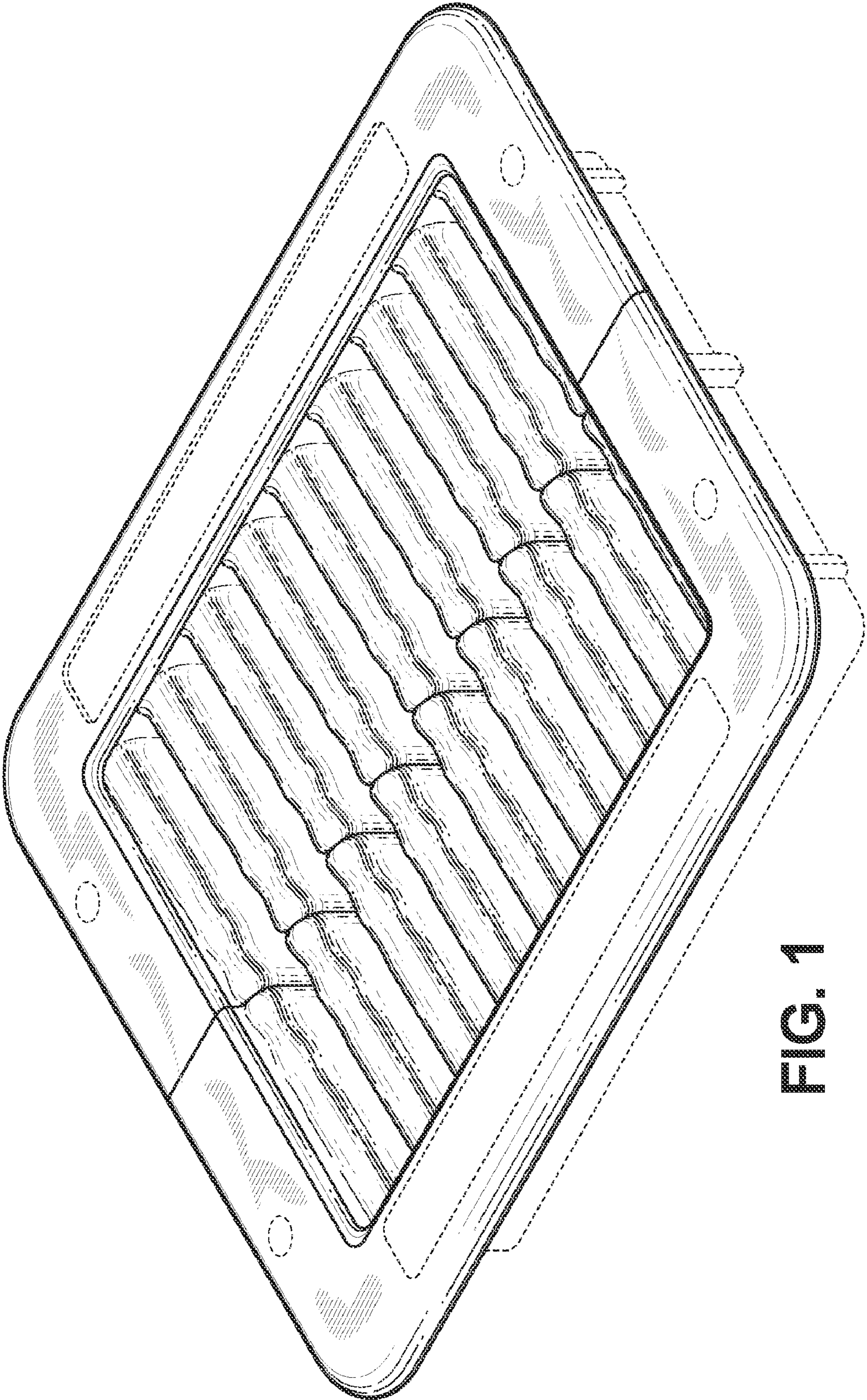


FIG. 1

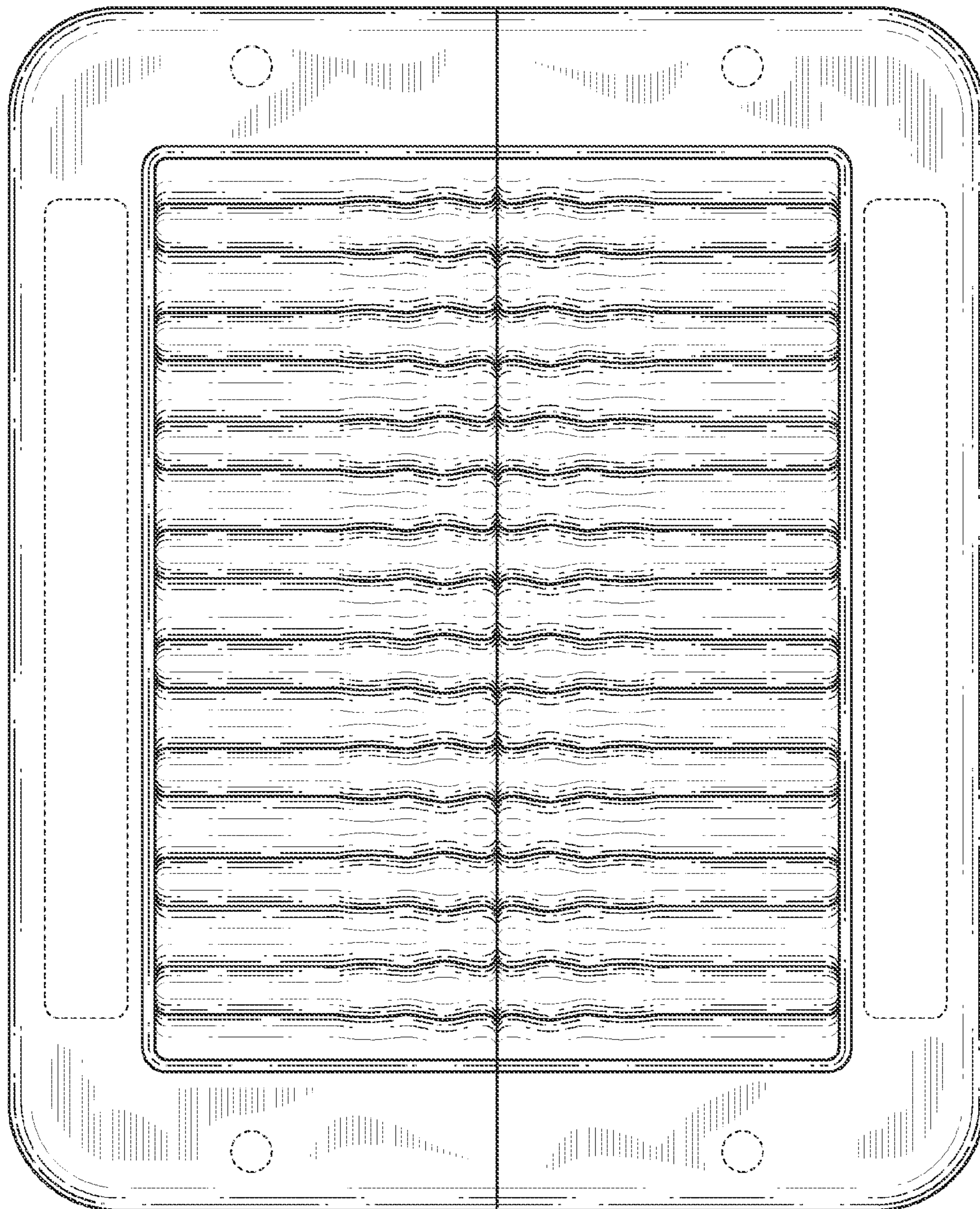


FIG. 2