



US00D653934S

(12) **United States Design Patent**
Poston

(10) **Patent No.:** **US D653,934 S**

(45) **Date of Patent:** **** Feb. 14, 2012**

(54) **TOILET SEAT LIFTING HANDLE**

(76) Inventor: **Margaret Poston**, Germantown, TN
(US)

(**) Term: **14 Years**

(21) Appl. No.: **29/386,075**

(22) Filed: **Feb. 24, 2011**

(51) **LOC (9) Cl.** **08-06**

(52) **U.S. Cl.** **D8/307**

(58) **Field of Classification Search** D8/300,
D8/307, 14, 47, 48; 16/443, 903, 905; D30/161,
D30/162; 4/246.1, 661; D32/46; D23/303,
D23/311; D16/135; D19/34; 294/1.3

See application file for complete search history.

(56) **References Cited**

U.S. PATENT DOCUMENTS

D191,497 S * 10/1961 Hottle D8/300
D273,128 S * 3/1984 Roddick D8/307
4,512,046 A * 4/1985 Riggle 4/661

D295,604 S * 5/1988 Purdy D8/307
4,875,251 A * 10/1989 Hazard 16/436
D406,884 S * 3/1999 Goss D23/311
D508,840 S * 8/2005 Butler D8/307

* cited by examiner

Primary Examiner — Paula Greene

(57) **CLAIM**

I claim the ornamental design for a toilet seat lifting handle, as shown and described.

DESCRIPTION

FIG. 1 is a top plan view of a toilet seat lifting handle, showing my new design;

FIG. 2 is a right side elevational view thereof, the right side being a mirror image of the left side;

FIG. 3 is a bottom plan view thereof;

FIG. 4 is a front elevational view thereof;

FIG. 5 is a back elevational view thereof;

FIG. 6 is right front perspective view thereof; and,

FIG. 7 is left back perspective view thereof.

1 Claim, 2 Drawing Sheets

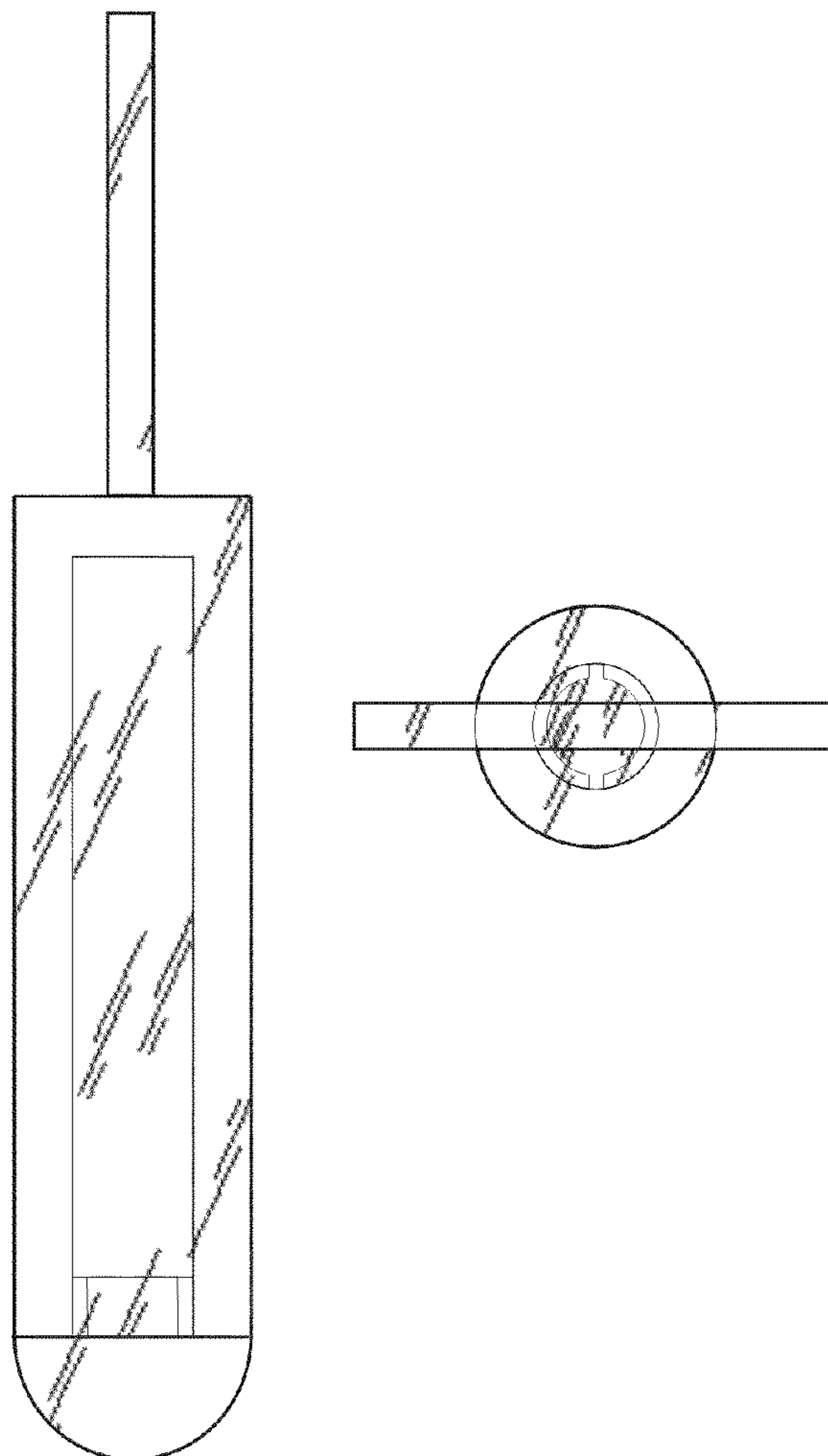


Fig. 1

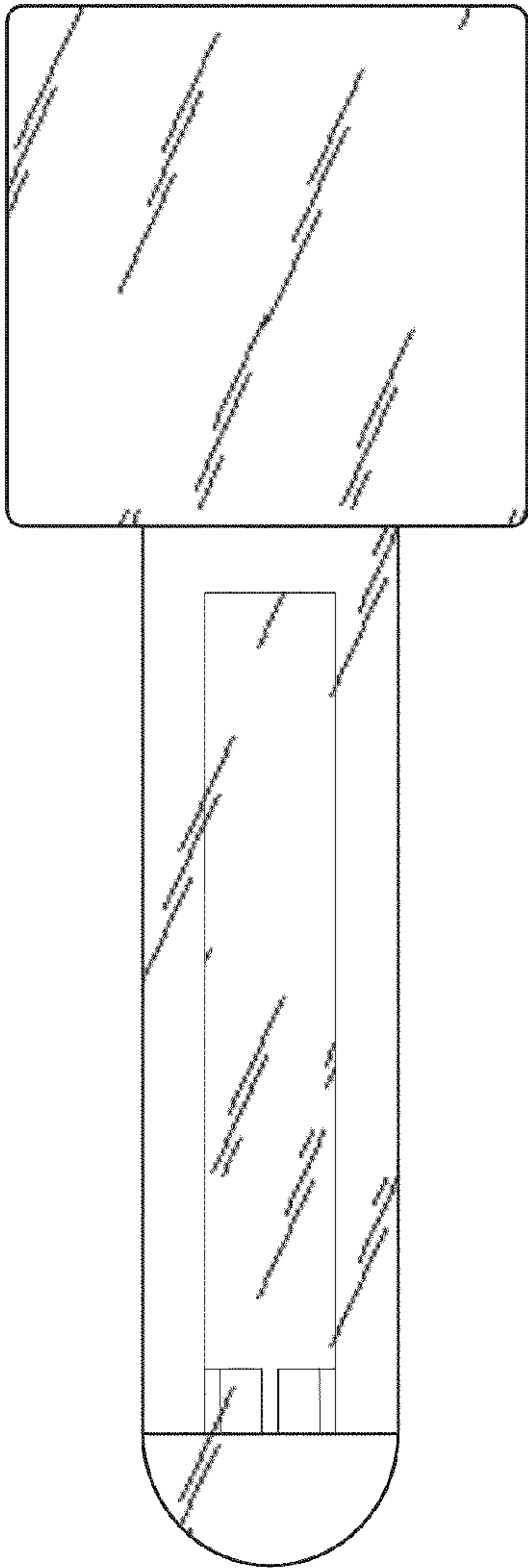


Fig. 2

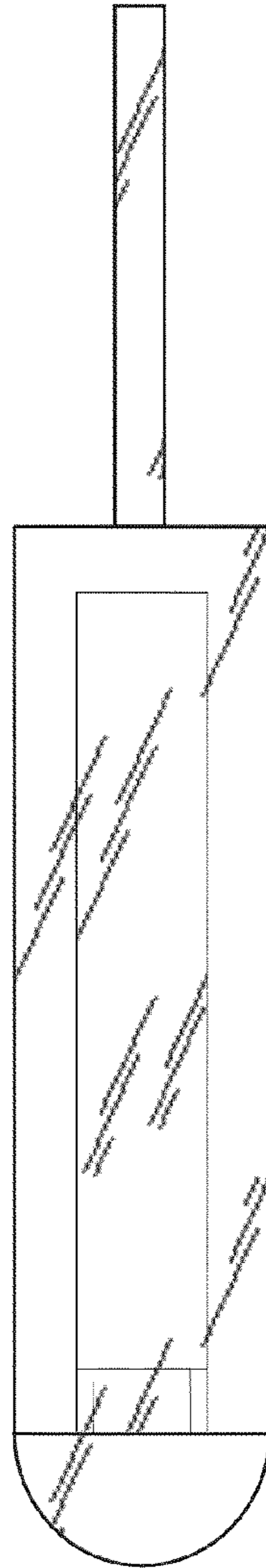


Fig. 3

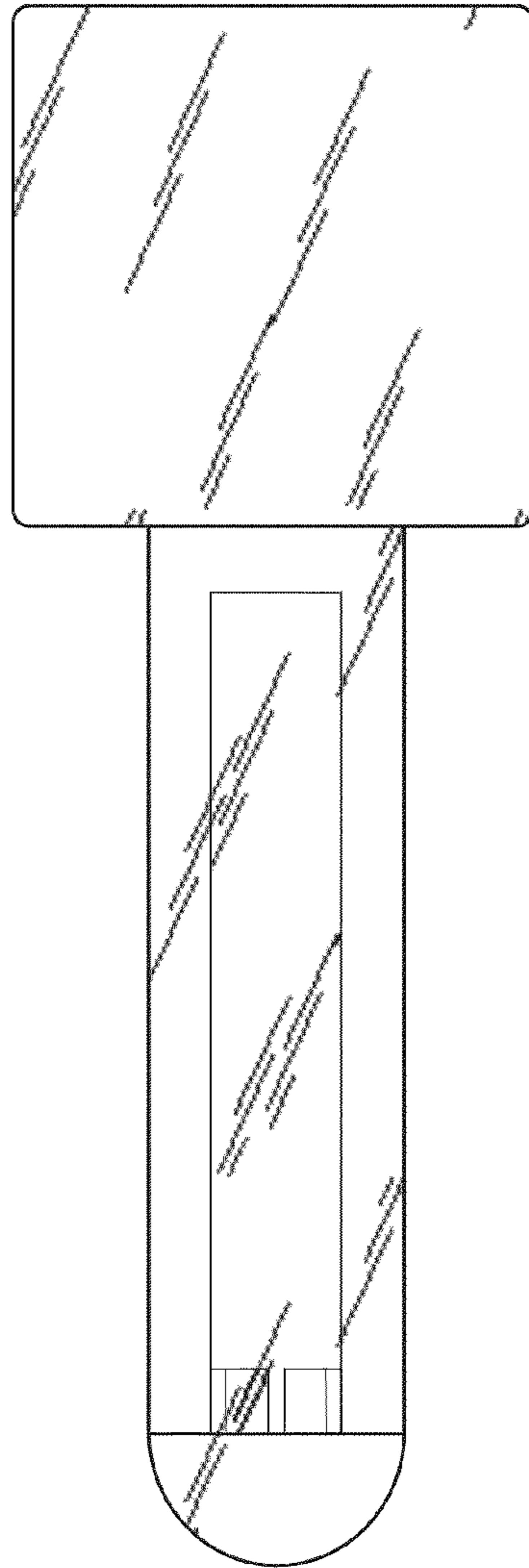


Fig. 4

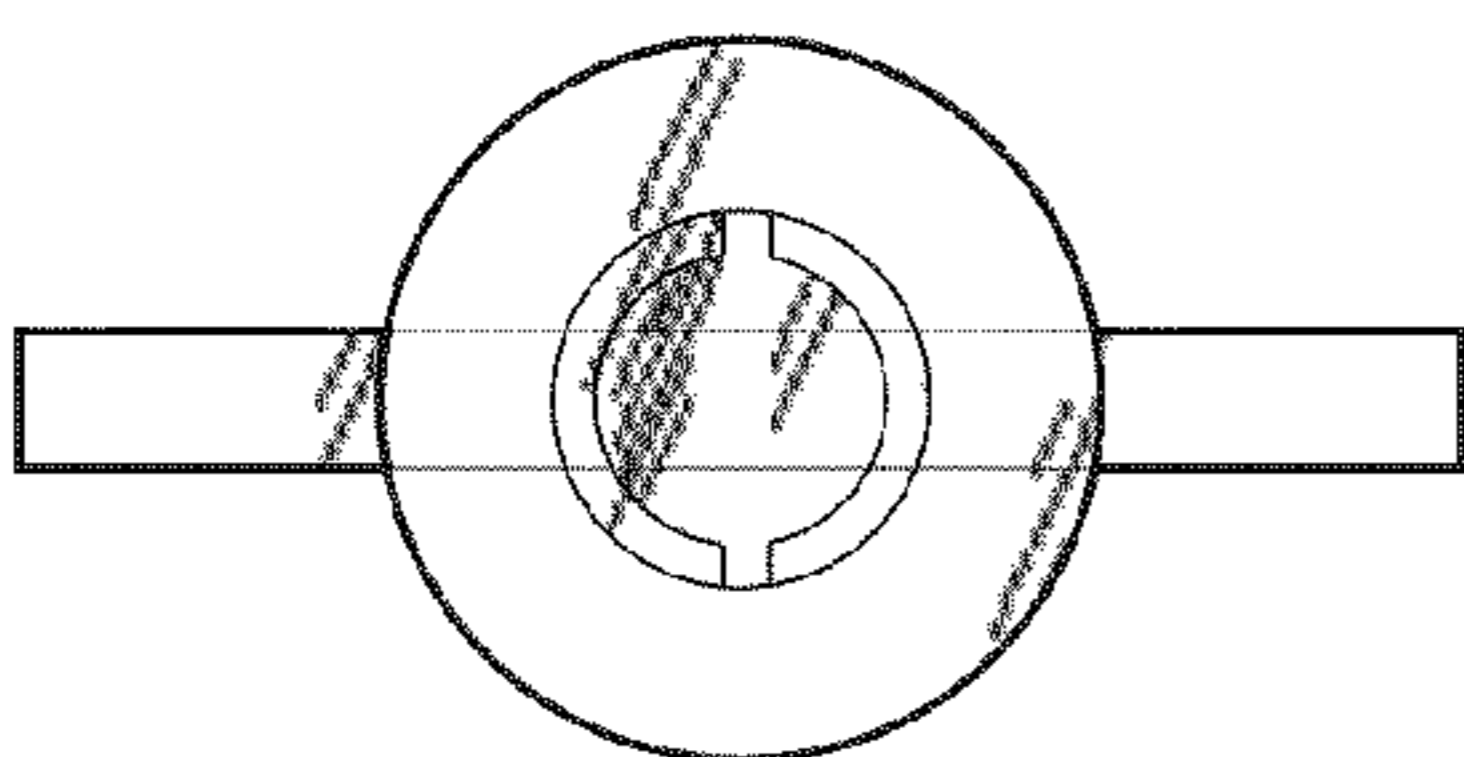


Fig. 5

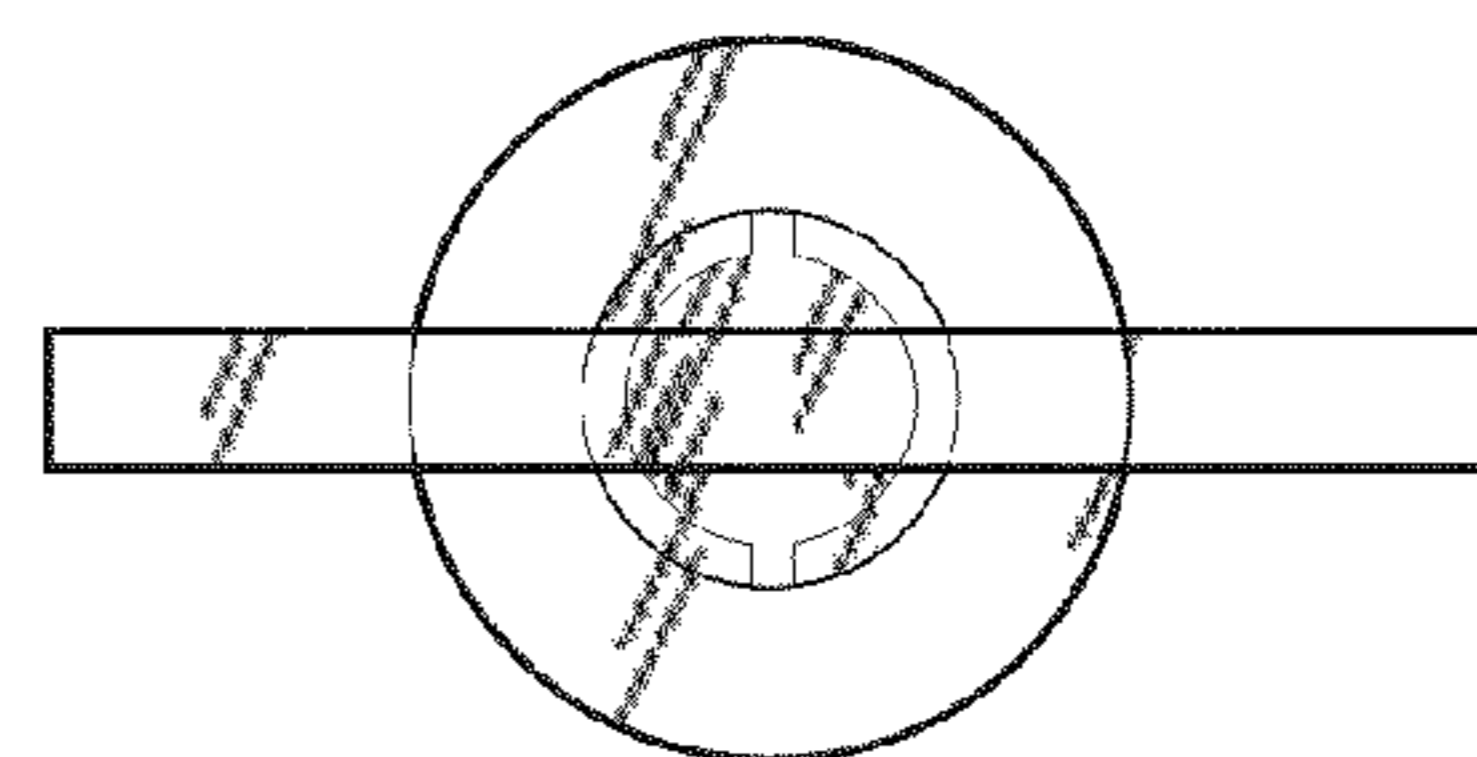


Fig. 6

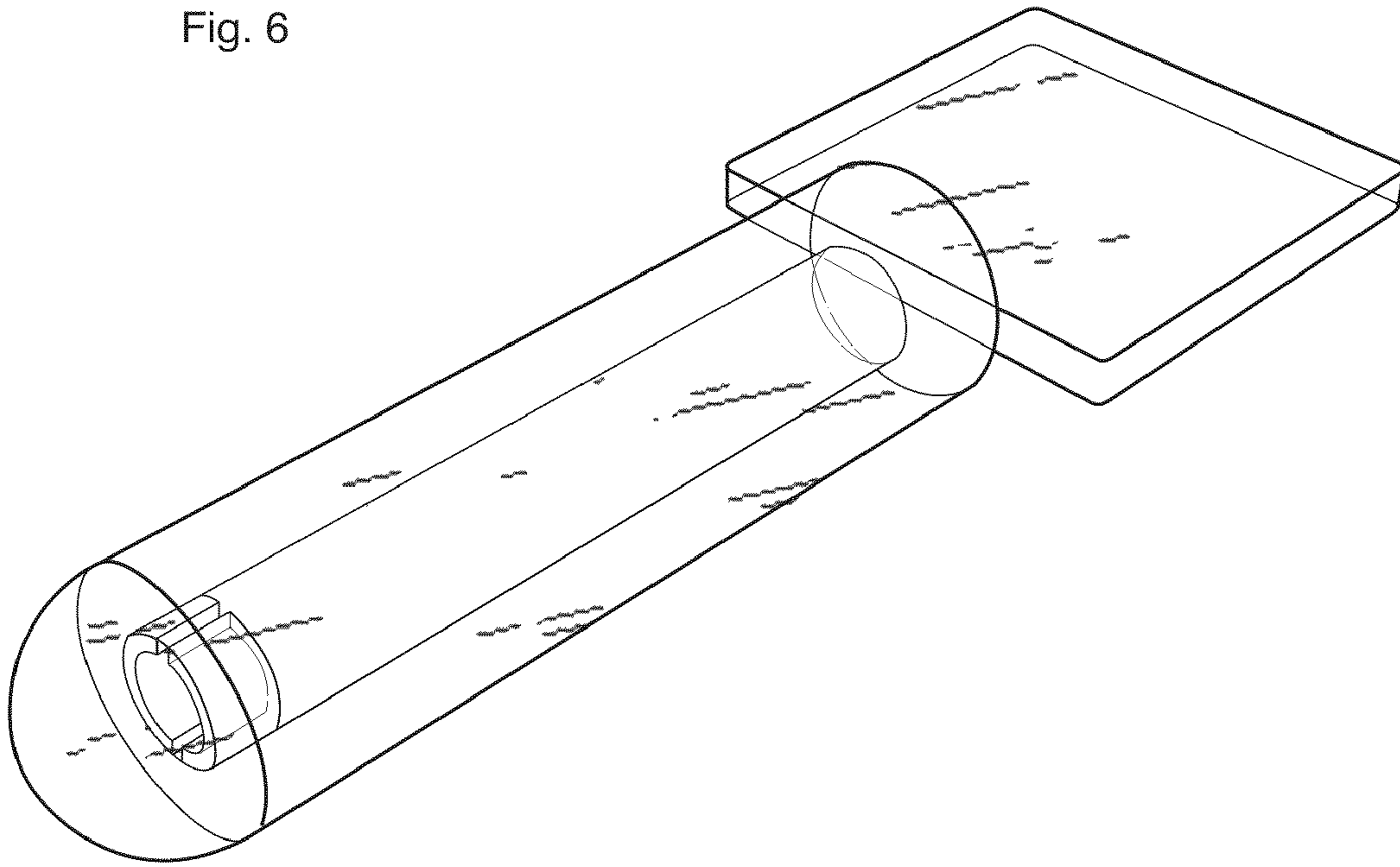


Fig. 7

