



US00D653924S

(12) **United States Design Patent**  
**Heitz, Jr.**

(10) **Patent No.:** **US D653,924 S**

(45) **Date of Patent:** **\*\* Feb. 14, 2012**

(54) **TOOL HANGER**

(76) Inventor: **Arthur Heitz, Jr.**, Nemo, SD (US)

(\*\*) Term: **14 Years**

(21) Appl. No.: **29/377,810**

(22) Filed: **Oct. 26, 2010**

(51) **LOC (9) Cl.** ..... **08-05**

(52) **U.S. Cl.** ..... **D8/71; D8/370**

(58) **Field of Classification Search** ..... D8/71,  
D8/370; 24/555, 559, 237, 23.5 R, 23.5 AD,  
24/23.5 W, 23.5 TP, 710.2; 40/606, 607,  
40/617; 211/119; 248/211, 303, 213, 214,  
248/215, 304

See application file for complete search history.

(56) **References Cited**

**U.S. PATENT DOCUMENTS**

5,024,410 A 6/1991 Ripley  
D386,390 S \* 11/1997 Ebarb ..... D8/370

**OTHER PUBLICATIONS**

Tools & Farm Farming Misc\_Livestock Equipment Safety Pin—  
Lehmans\_com, printed May 12, 2009.  
<http://www.allendesigners.com/default.asp>, Allen Designers, 14"  
Safety Pin Rod, printed May 12, 2009.  
<http://www.uberreview.com>, Giant Safety Pin Wall Rack; printed  
May 12, 2009.  
Giant Vintage Safety Pin, Flickr Photo, uploaded Nov. 28, 2008.  
Vivre, Baby Safety Pin with Charms, [http://www.vivre.com/product/  
Baby\\_Safety\\_Pin](http://www.vivre.com/product/Baby_Safety_Pin), printed May 12, 2009.  
<http://www.lapochette.com/index.html>; La Pochette\_Safety Pin  
Purse, printed May 12, 2009.

[http://www.grainger.com/Grainger/safety-pins/pins/fasteners/  
ecatalog/N-8m6?op=search](http://www.grainger.com/Grainger/safety-pins/pins/fasteners/ecatalog/N-8m6?op=search); printed May 12, 2009.  
<http://www.sanzospecialties.com/index.cfm>; Sign-Fast Fasteners—  
Real Estate Supplies and Ad Specialty Products by Sanzo Specialties.  
Printed May 12, 2009.  
Picture of Baby Diaper safety pins; printed May 12, 2009.

\* cited by examiner

*Primary Examiner* — Antoine D Davis

(74) *Attorney, Agent, or Firm* — Santangelo Law Offices,  
P.C.

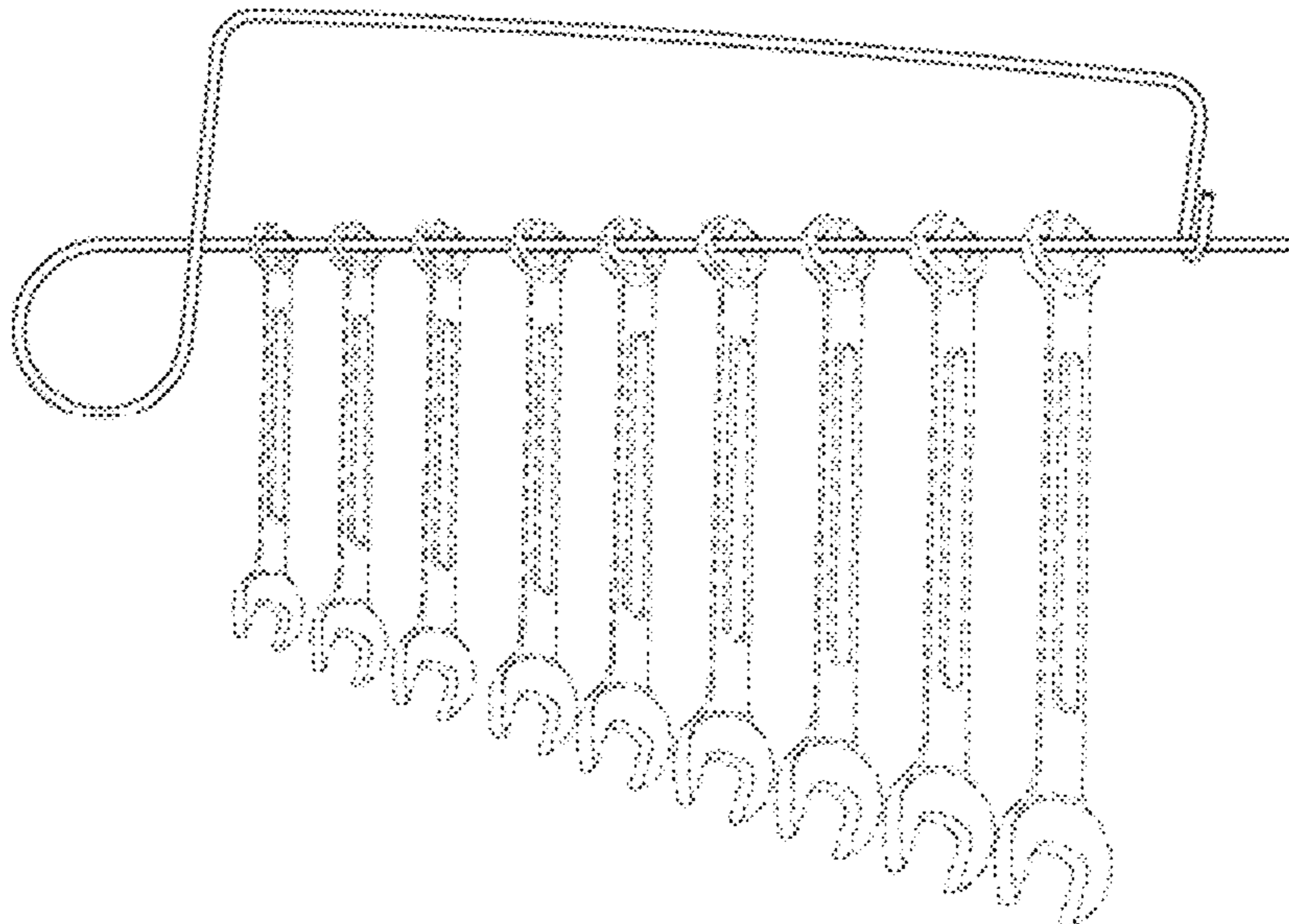
(57) **CLAIM**

The ornamental design for a tool hanger, as shown and  
described.

**DESCRIPTION**

FIG. 1 - is a front view thereof;  
FIG. 2 - is a front view of an embodiment thereof;  
FIG. 3 - is a back view thereof;  
FIG. 4 - is a top view thereof;  
FIG. 5 - is a bottom view thereof;  
FIG. 6 - is a back view thereof with broken lines elements  
included for the purpose of illustrating unclaimed environ-  
mental matter;  
FIG. 7 - is a first side view thereof;  
FIG. 8 - is a second side view thereof; and,  
FIG. 9 - is a front view thereof with broken lines elements  
included for the purpose of illustrating unclaimed environ-  
mental matter.  
The broken line showing of elements is included for the  
purpose of illustrating and forms no part of the claimed  
design.

**1 Claim, 4 Drawing Sheets**



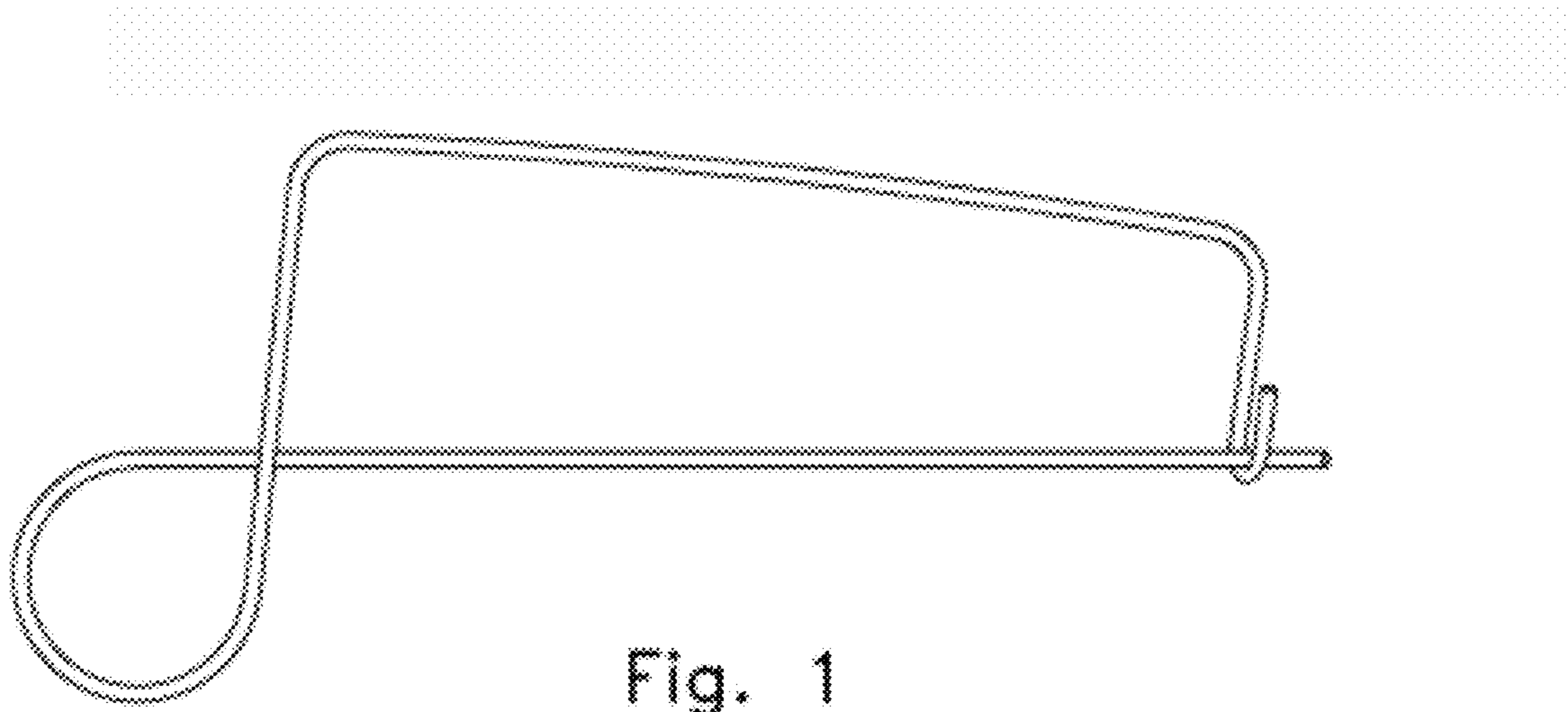


Fig. 1

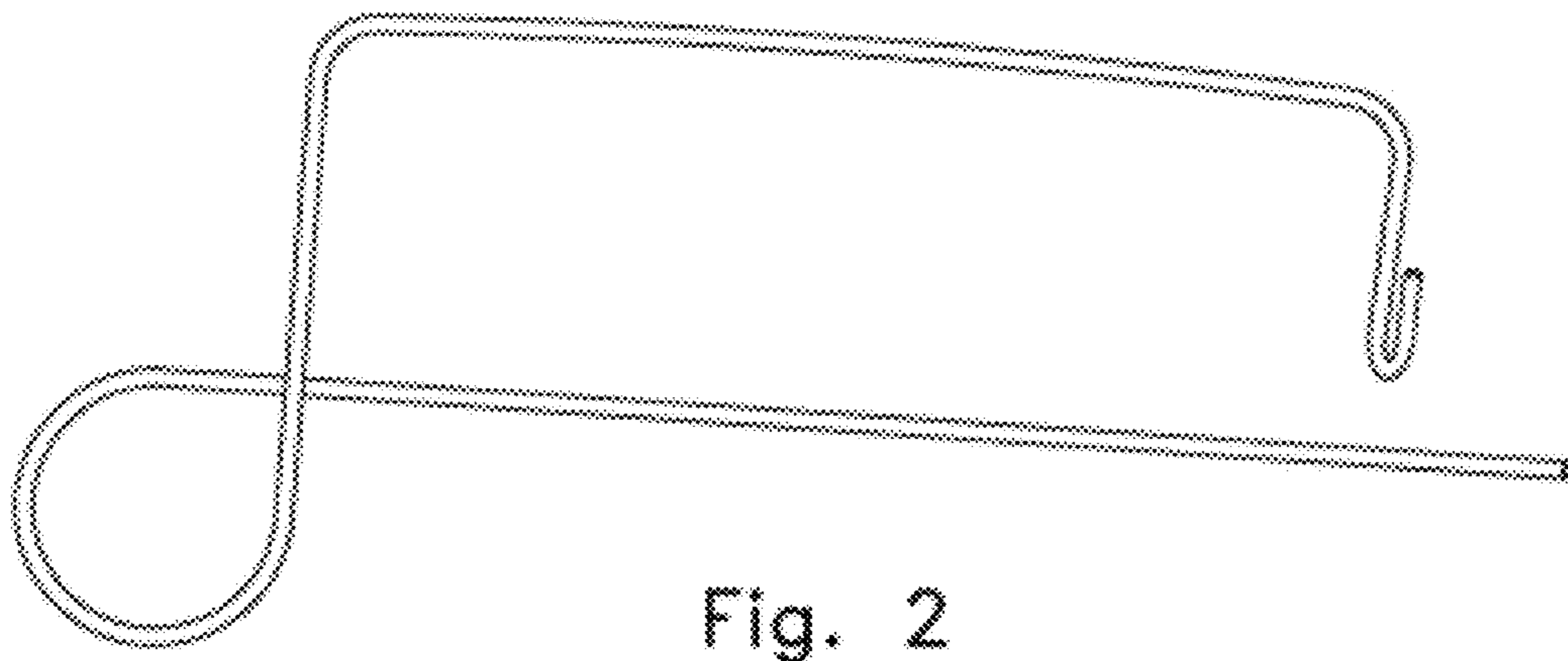


Fig. 2

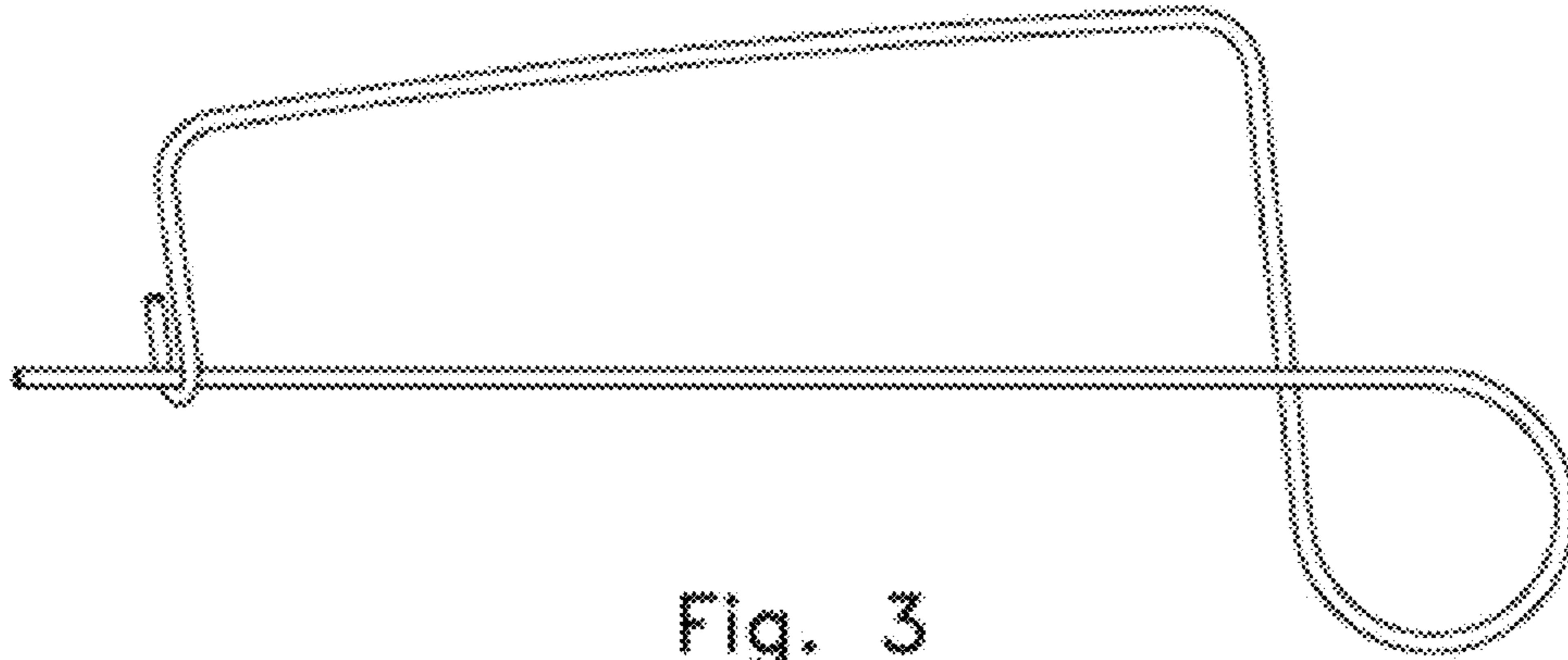


Fig. 3

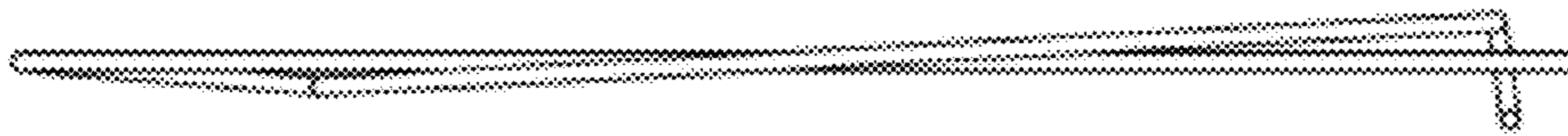


Fig. 4

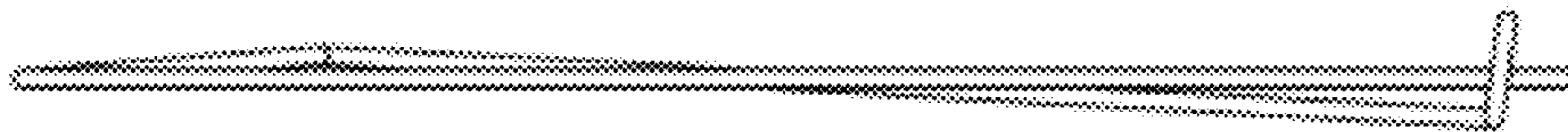


Fig. 5

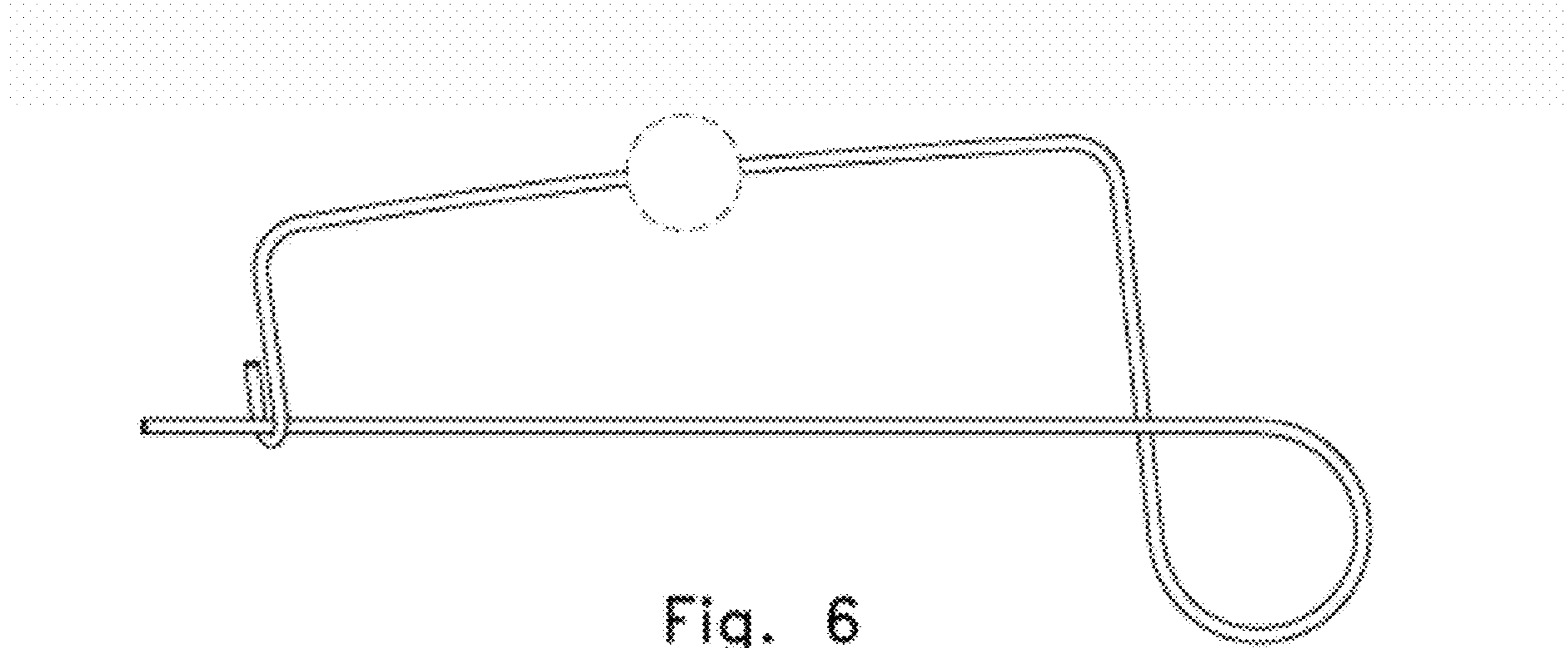


Fig. 6



Fig. 7



Fig. 8



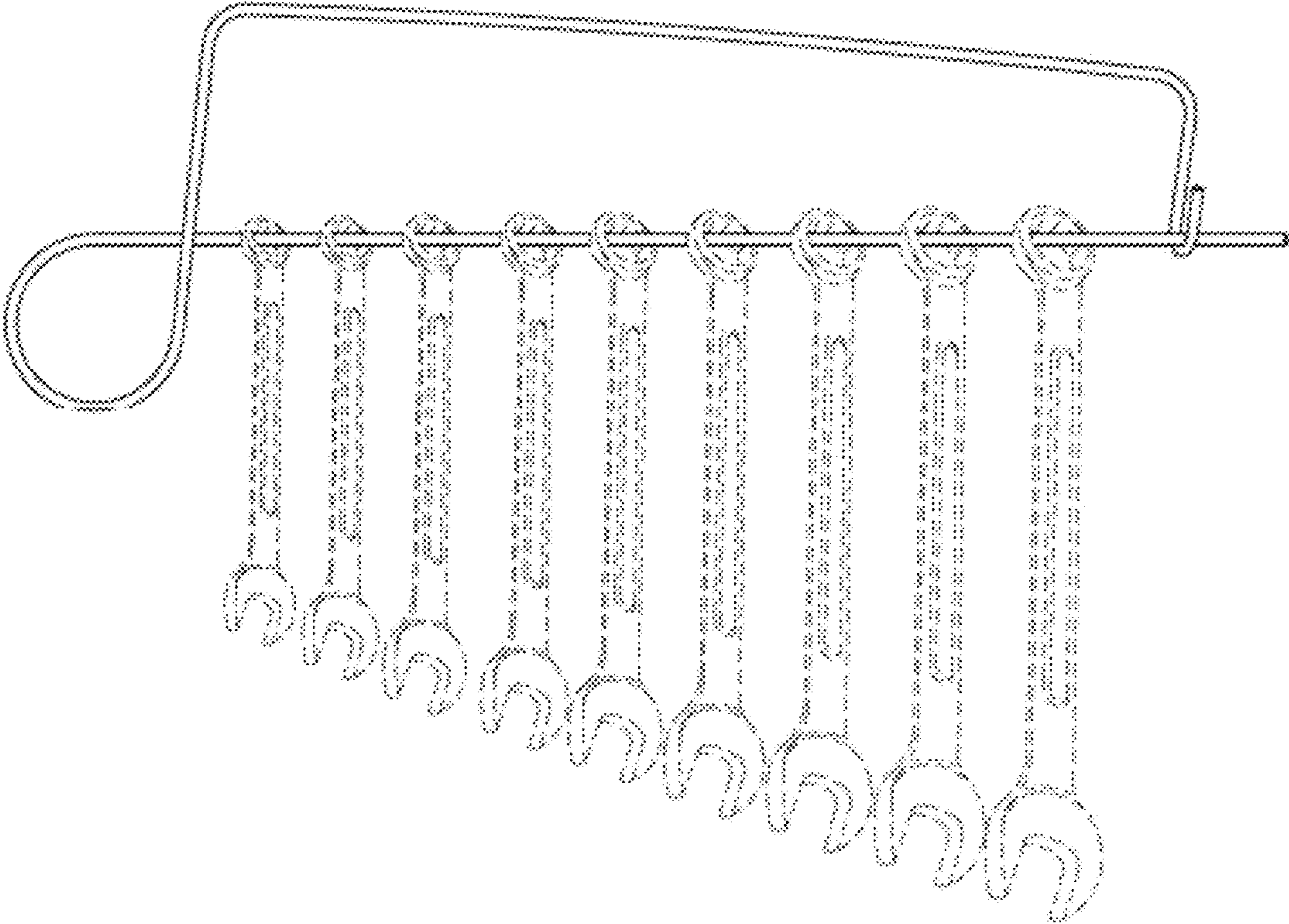


Fig. 9