



US00D653923S

(12) **United States Design Patent**  
**Neeser et al.**

(10) **Patent No.:** **US D653,923 S**

(45) **Date of Patent:** **\*\* Feb. 14, 2012**

(54) **TOOL**

(75) Inventors: **Mirco Neeser**, Ennetbaden (CH); **Flavio Finzo**, Wurenlos (CH); **Roland Widmer**, Bremgarten (CH)

(73) Assignee: **Illinois Tool Works Inc.**, Glenview, IL (US)

(\*\*) Term: **14 Years**

(21) Appl. No.: **29/346,358**

(22) Filed: **Oct. 30, 2009**

(51) **LOC (9) Cl.** ..... **08-05**

(52) **U.S. Cl.** ..... **D8/67**

(58) **Field of Classification Search** ..... D8/67,  
D8/61, 64, 62; D10/102; D15/145; 100/2,  
100/29; 53/589; 451/335; 156/73.5; 228/112.1  
See application file for complete search history.

(56) **References Cited**

**U.S. PATENT DOCUMENTS**

D286,737	S	*	11/1986	House et al.	.....	D8/62
D315,281	S	*	3/1991	Bosten et al.	.....	D8/64
D323,099	S	*	1/1992	Sakamoto et al.	.....	D8/62
D338,214	S	*	8/1993	Crittenden et al.	.....	D15/145
D349,294	S	*	8/1994	Nix et al.	.....	D15/145
D365,006	S	*	12/1995	Cheung et al.	.....	D8/67
D400,771	S	*	11/1998	Smith et al.	.....	D8/64
D420,875	S	*	2/2000	Okitsu et al.	.....	D8/62
D431,438	S	*	10/2000	Flender et al.	.....	D8/64
D448,638	S	*	10/2001	Uhl et al.	.....	D8/67

7,235,005	B2	*	6/2007	Schnell et al.	.....	451/355
D629,321	S	*	12/2010	Neeser et al.	.....	D10/102
2010/0107573	A1	*	5/2010	Neeser et al.	.....	53/589
2011/0056392	A1	*	3/2011	Neeser et al.	.....	100/29
2011/0100233	A1	*	5/2011	Neeser et al.	.....	100/2

\* cited by examiner

*Primary Examiner* — Austin Murphy

(74) *Attorney, Agent, or Firm* — Levenfeld Pearlstein, LLC

(57) **CLAIM**

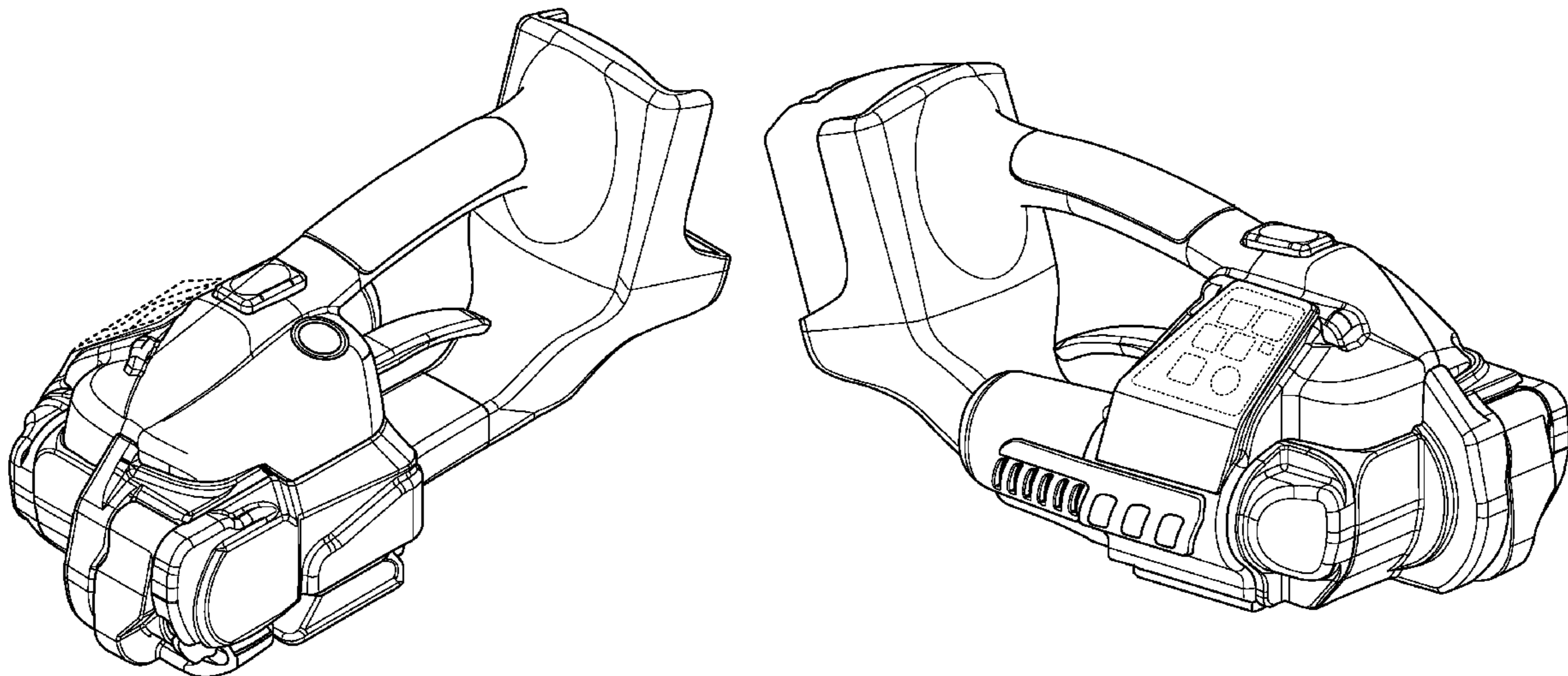
The ornamental design for a tool, as shown and described.

**DESCRIPTION**

FIG. 1 is a front, top, right hand side perspective view of a tool embodying the principles of my our design;  
 FIG. 2 is a front, left hand side perspective view thereof;  
 FIG. 3 is a side view thereof as seen from the left hand side of FIG. 1;  
 FIG. 4 is a side view thereof as seen from the right hand side of FIG. 1;  
 FIG. 5 is top view thereof;  
 FIG. 6 is a front view thereof;  
 FIG. 7 is a rear view thereof; and,  
 FIG. 8 is a bottom view thereof.

The tool being shown with a control panel in FIGS. 1, 2, 3 and 5 in phantom lines forming no part of the claimed design; and FIG. 1 showing the tool with the battery removed for clarity of illustration only.

**1 Claim, 8 Drawing Sheets**



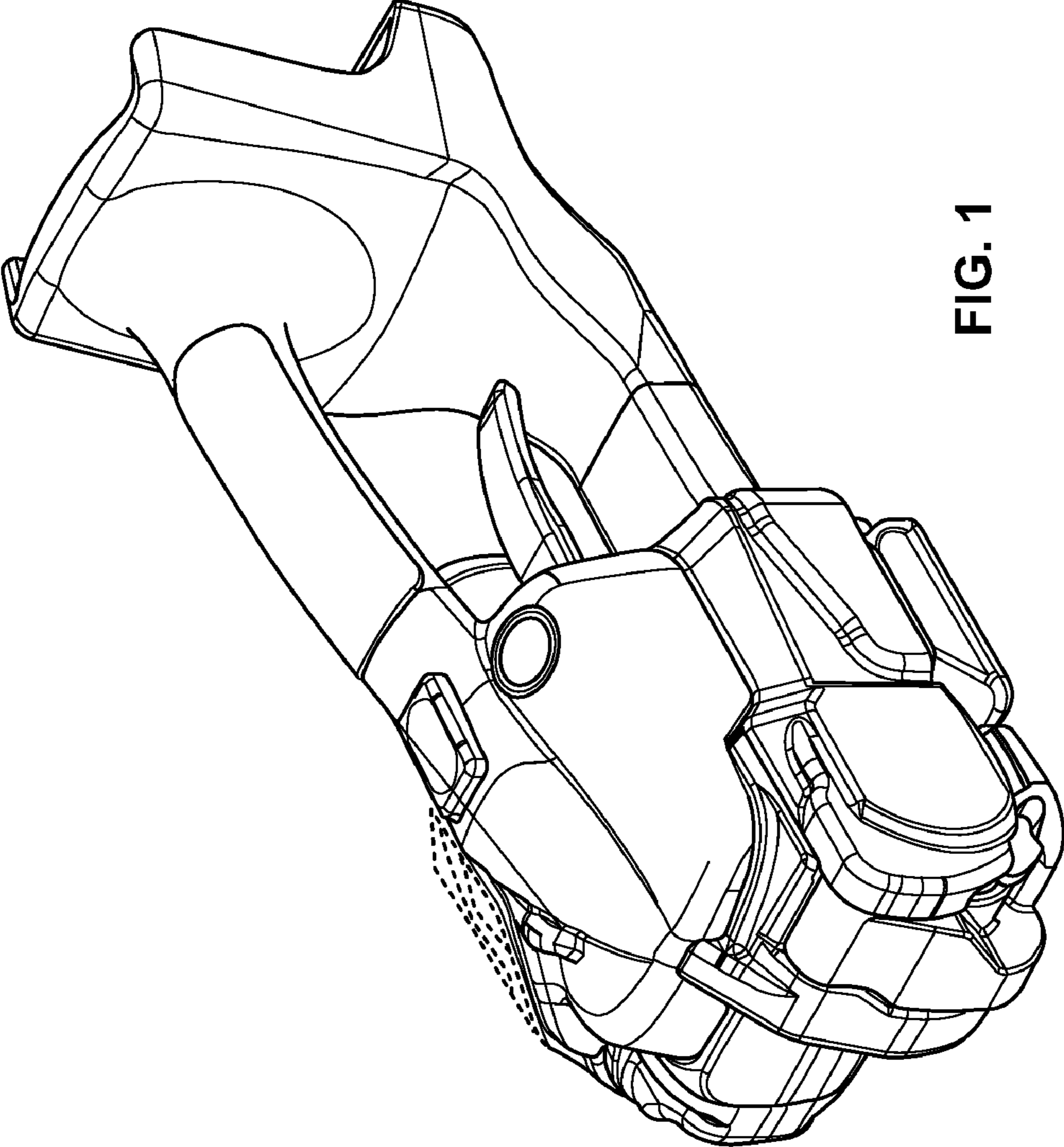


FIG. 1

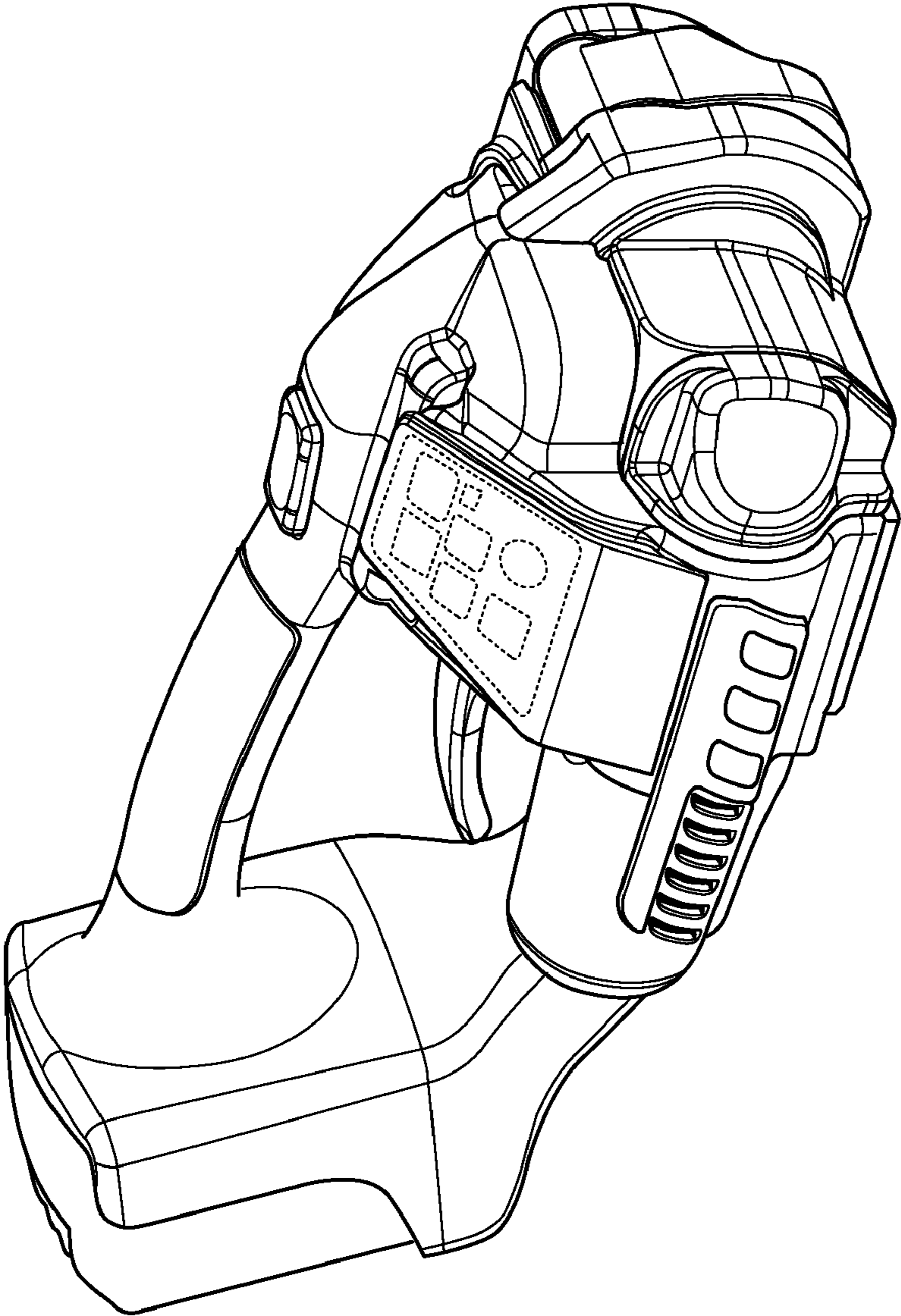


FIG. 2

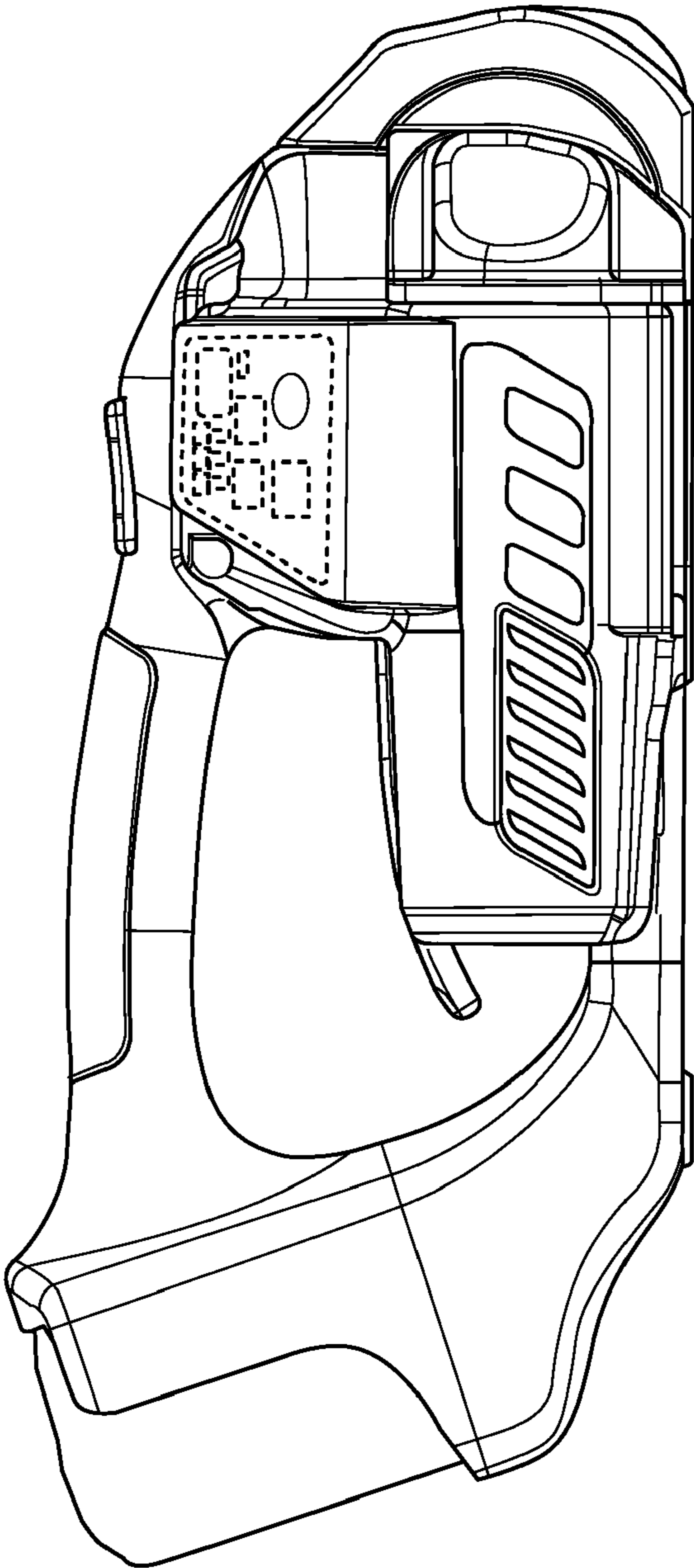


FIG. 3



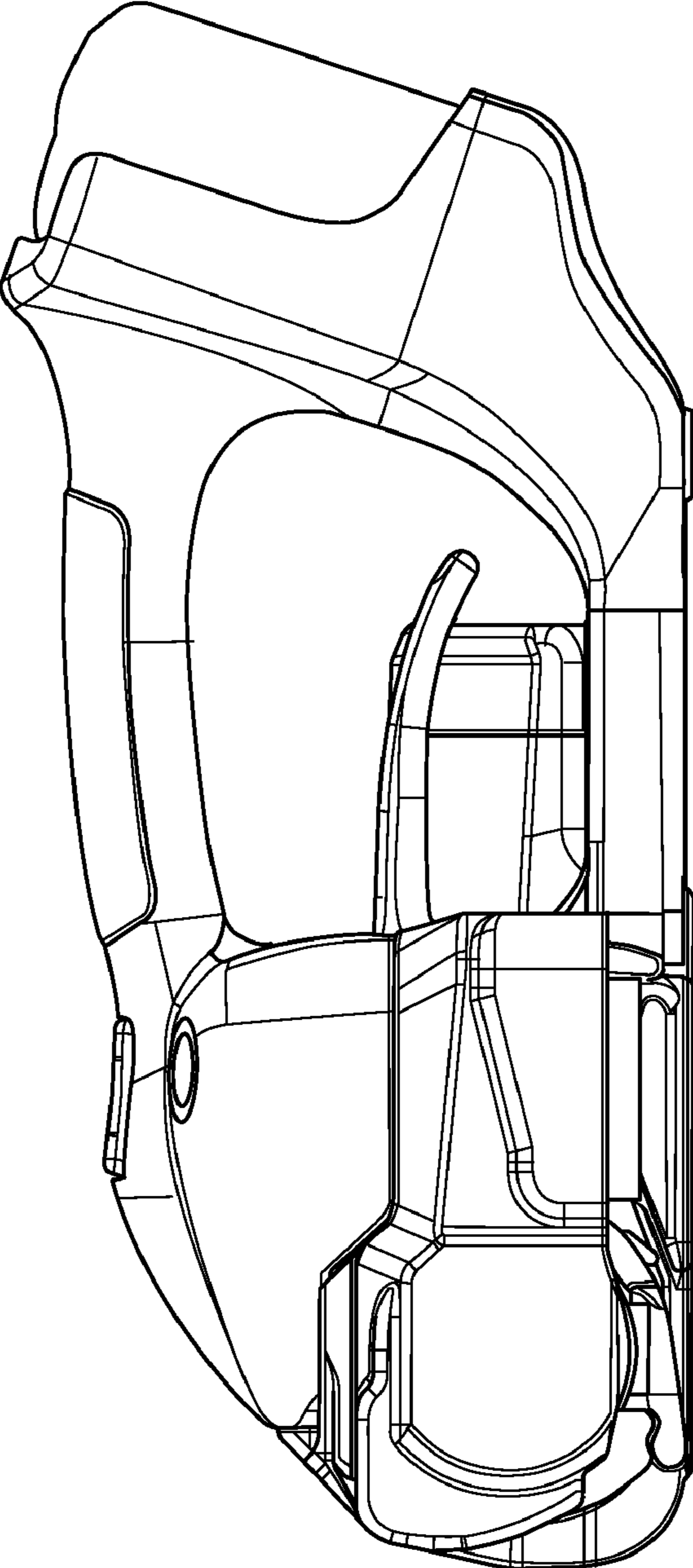


FIG. 4

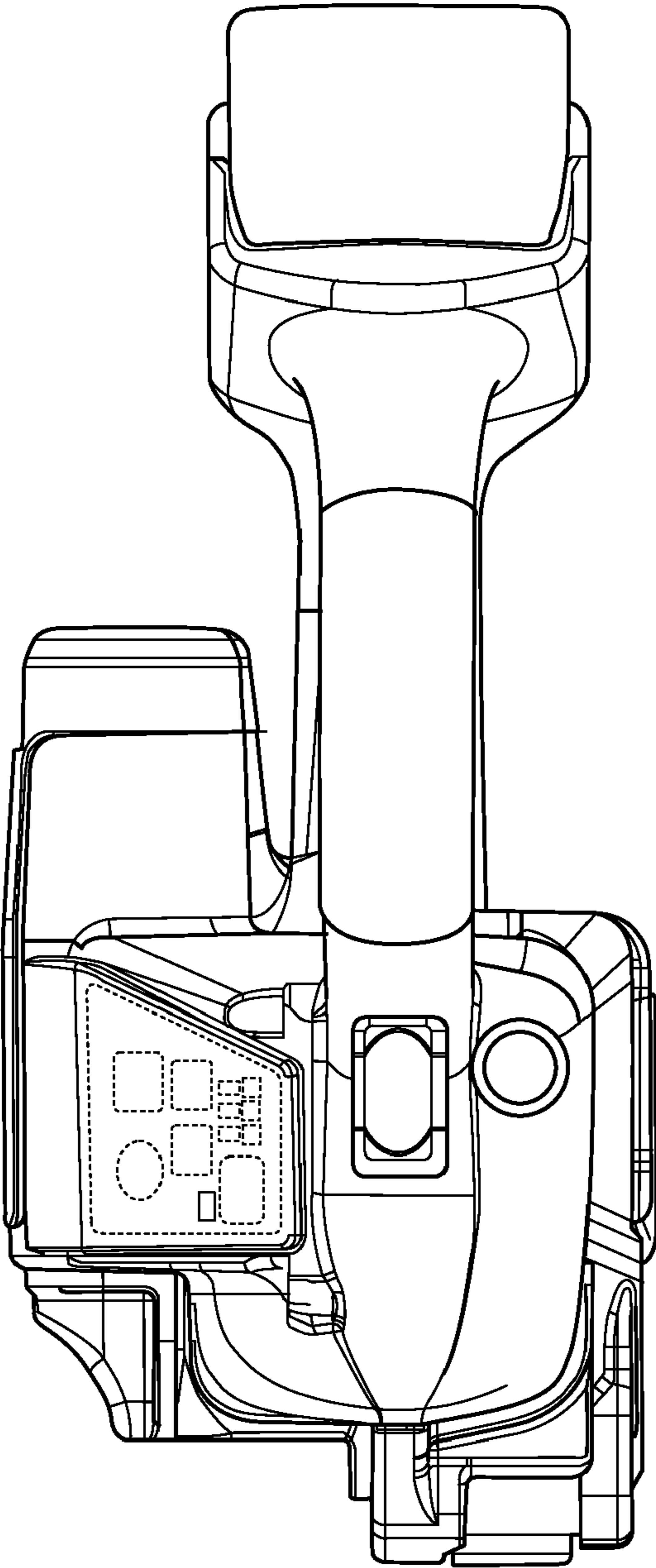


FIG. 5

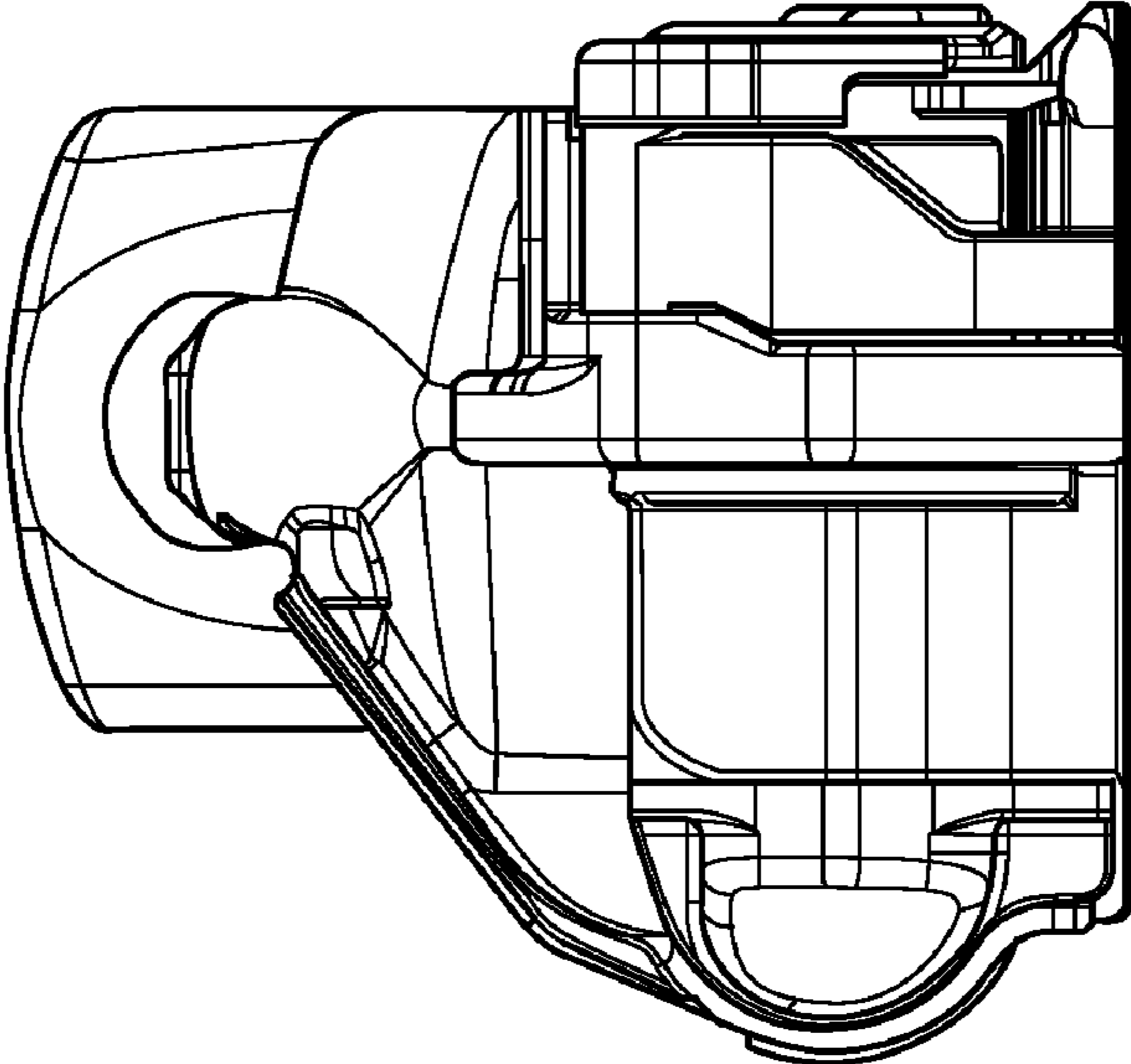


FIG. 6

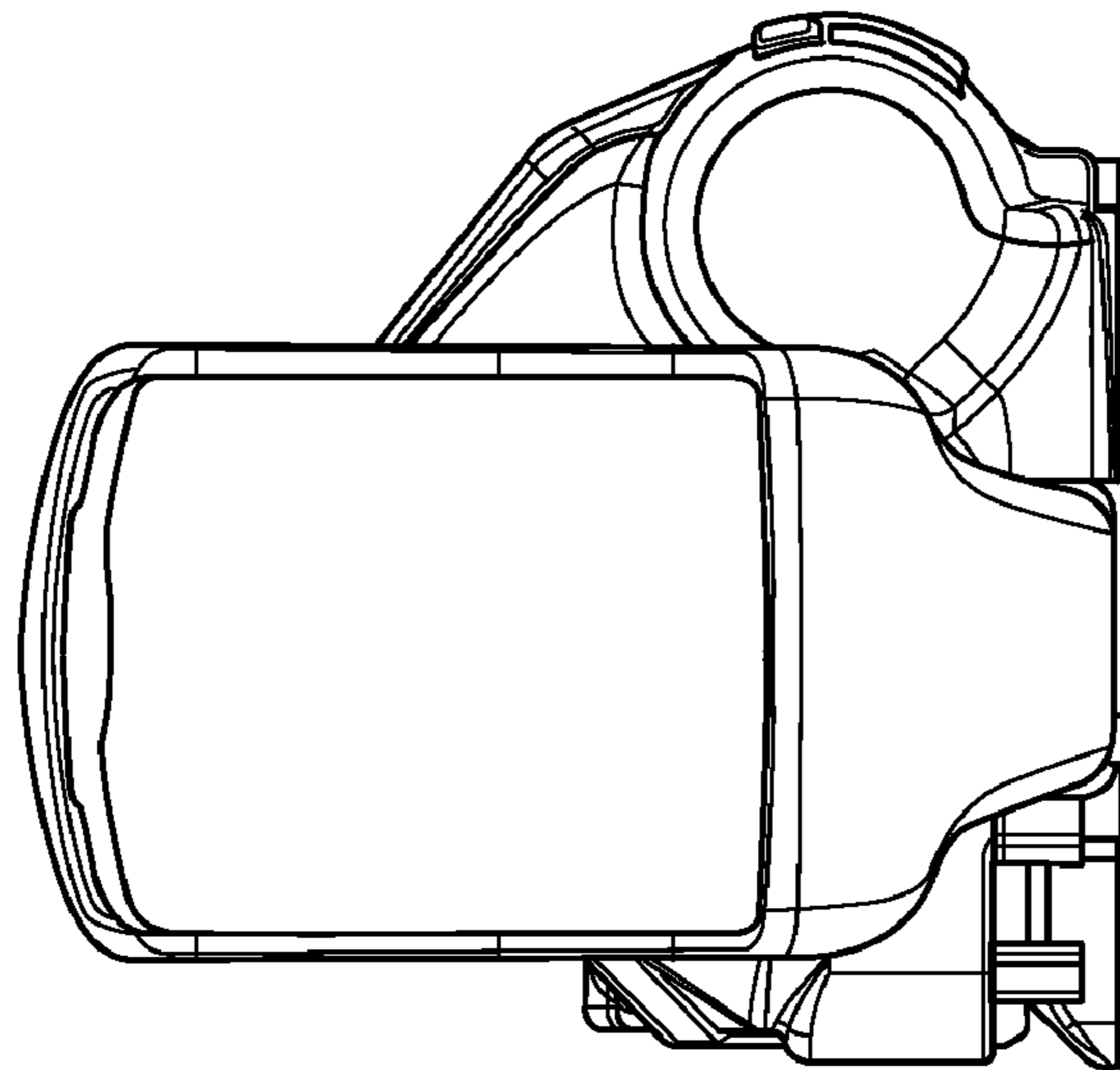


FIG.7



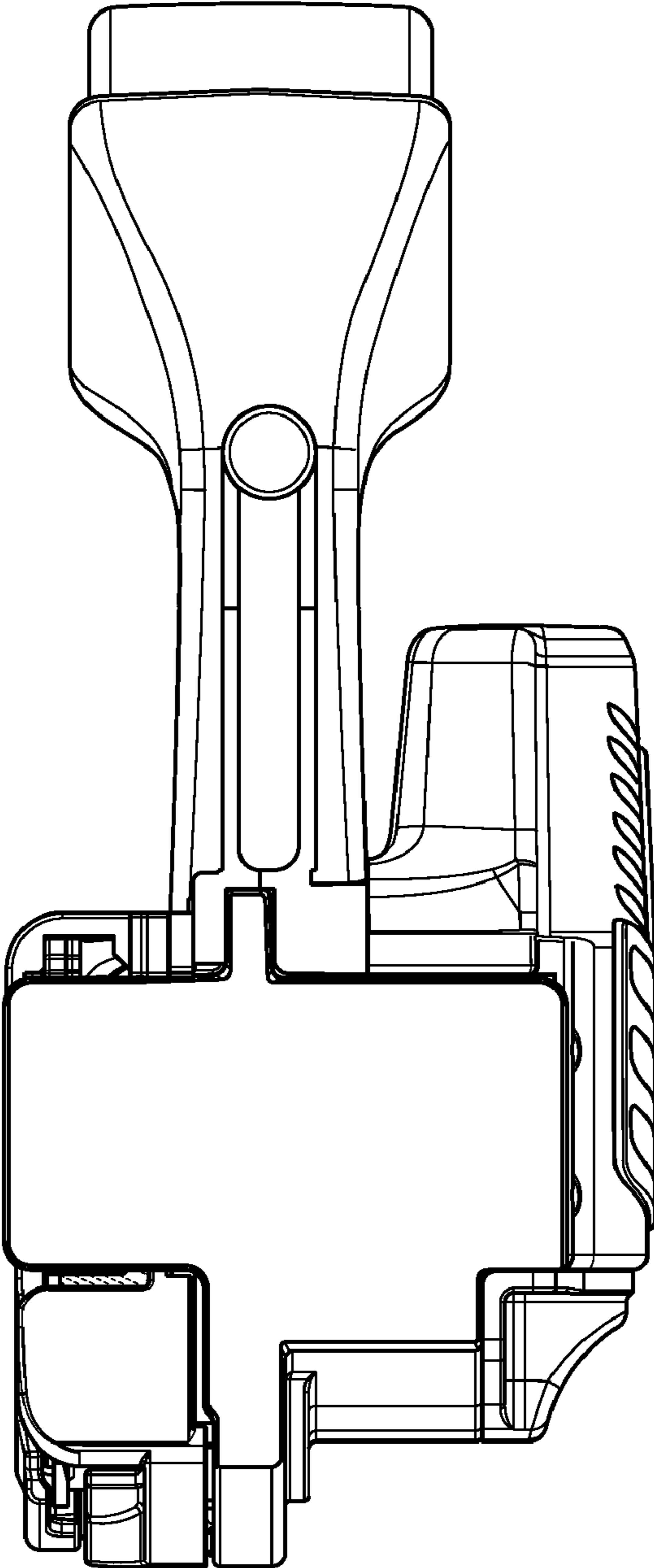


FIG. 8

UNITED STATES PATENT AND TRADEMARK OFFICE  
**CERTIFICATE OF CORRECTION**

PATENT NO. : D653,923 S  
APPLICATION NO. : 29/346358  
DATED : February 14, 2012  
INVENTOR(S) : Mirco Neeser, Flavio Finzo and Roland Widmer

Page 1 of 1

It is certified that error appears in the above-identified patent and that said Letters Patent is hereby corrected as shown below:

Title page under item (57), line 2, labeled "Description", in the description for Figure 1, the phrase "of my our design" should read "of my design".

Signed and Sealed this  
Twenty-ninth Day of May, 2012

A handwritten signature in black ink that reads "David J. Kappos". The signature is written in a cursive style with a large initial 'D' and 'K'.

David J. Kappos  
*Director of the United States Patent and Trademark Office*