

US00D653920S

(12) **United States Design Patent**
Cigarini

(10) **Patent No.:** **US D653,920 S**

(45) **Date of Patent:** **** Feb. 14, 2012**

(54) **STRING TRIMMER**

(75) Inventor: **Enrico Cigarini**, Reggio Emilia (IT)

(73) Assignee: **Tecomec S.R.L.**, Reggio Emilia (IT)

(**) Term: **14 Years**

(21) Appl. No.: **29/390,625**

(22) Filed: **Apr. 27, 2011**

(30) **Foreign Application Priority Data**

Oct. 29, 2010 (EM) 001775289

(51) **LOC (9) Cl.** **08-01**

(52) **U.S. Cl.** **D8/8**

(58) **Field of Classification Search** D8/7, 8,
D8/9; 30/216, 208, 276, 228, 382, 383; 56/12.7,
56/233-237, 295

See application file for complete search history.

(56) **References Cited**

U.S. PATENT DOCUMENTS

D479,961 S * 9/2003 Iacona D8/8
D482,581 S * 11/2003 Nystrom D8/8
D482,941 S * 12/2003 Nystrom D8/8
D502,368 S * 3/2005 Nystrom et al. D8/8

D532,263 S * 11/2006 Iacona D8/8
D560,107 S * 1/2008 Grey D8/8
D597,804 S * 8/2009 Alliss D8/8
D598,254 S * 8/2009 Alliss D8/8
D598,255 S * 8/2009 Alliss D8/8
D630,068 S * 1/2011 Proulx D8/8
D638,678 S * 5/2011 Proulx D8/8
D638,679 S * 5/2011 Proulx D8/8

* cited by examiner

Primary Examiner — Cynthia M Chin

Assistant Examiner — Sheryl Lane

(74) *Attorney, Agent, or Firm* — Pearne & Gordon LLP

(57) **CLAIM**

The ornamental design for a string trimmer, as shown and described.

DESCRIPTION

FIG. 1 is a bottom plan view of a string trimmer, showing my new design;

FIG. 2 is a front elevational view thereof;

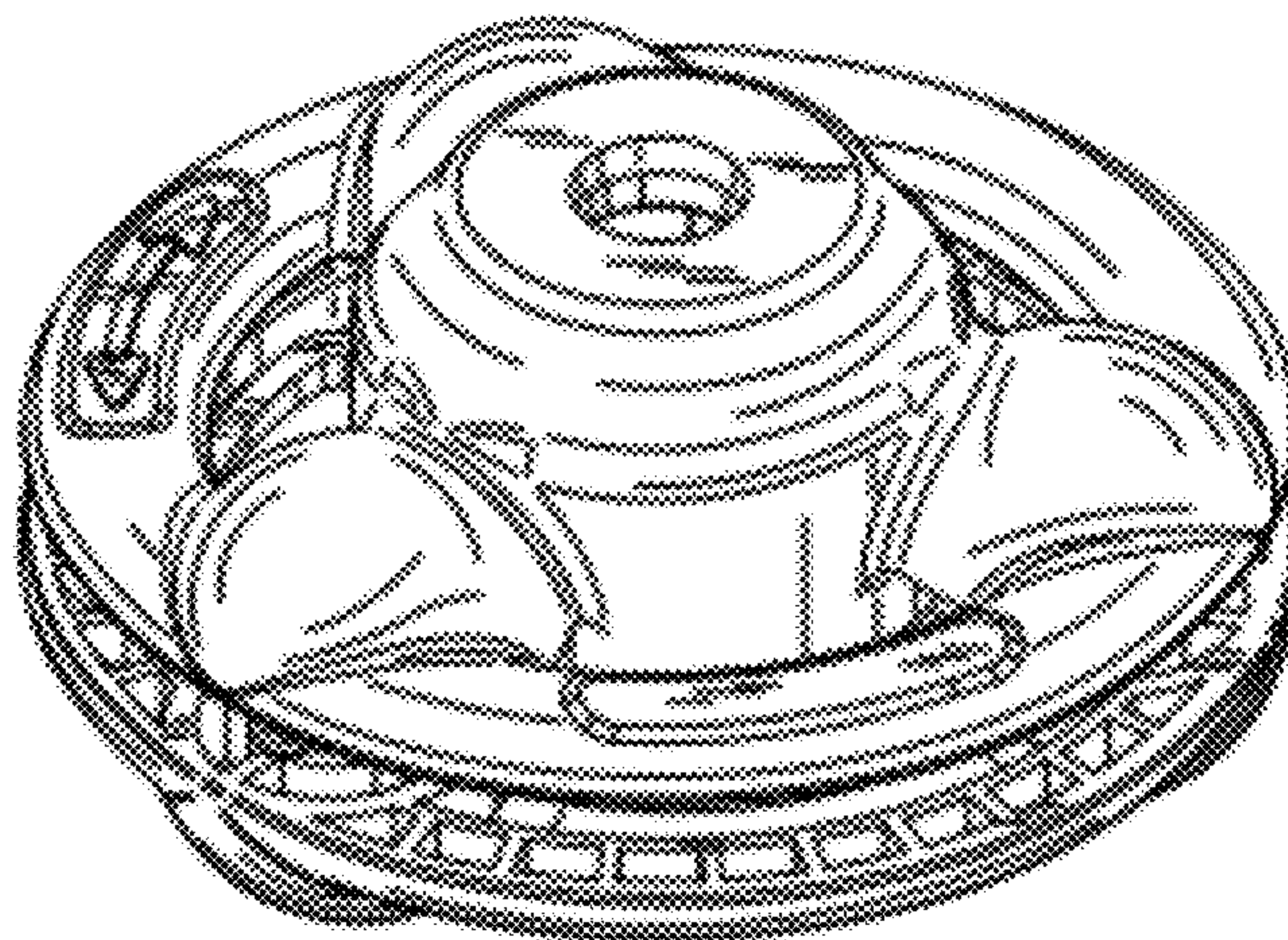
FIG. 3 is a top plan view thereof;

FIG. 4 is a bottom perspective view thereof;

FIG. 5 is a right-side elevational view thereof, the left-side elevational view being a mirror image thereof; and,

FIG. 6 is a top perspective view thereof.

1 Claim, 1 Drawing Sheet



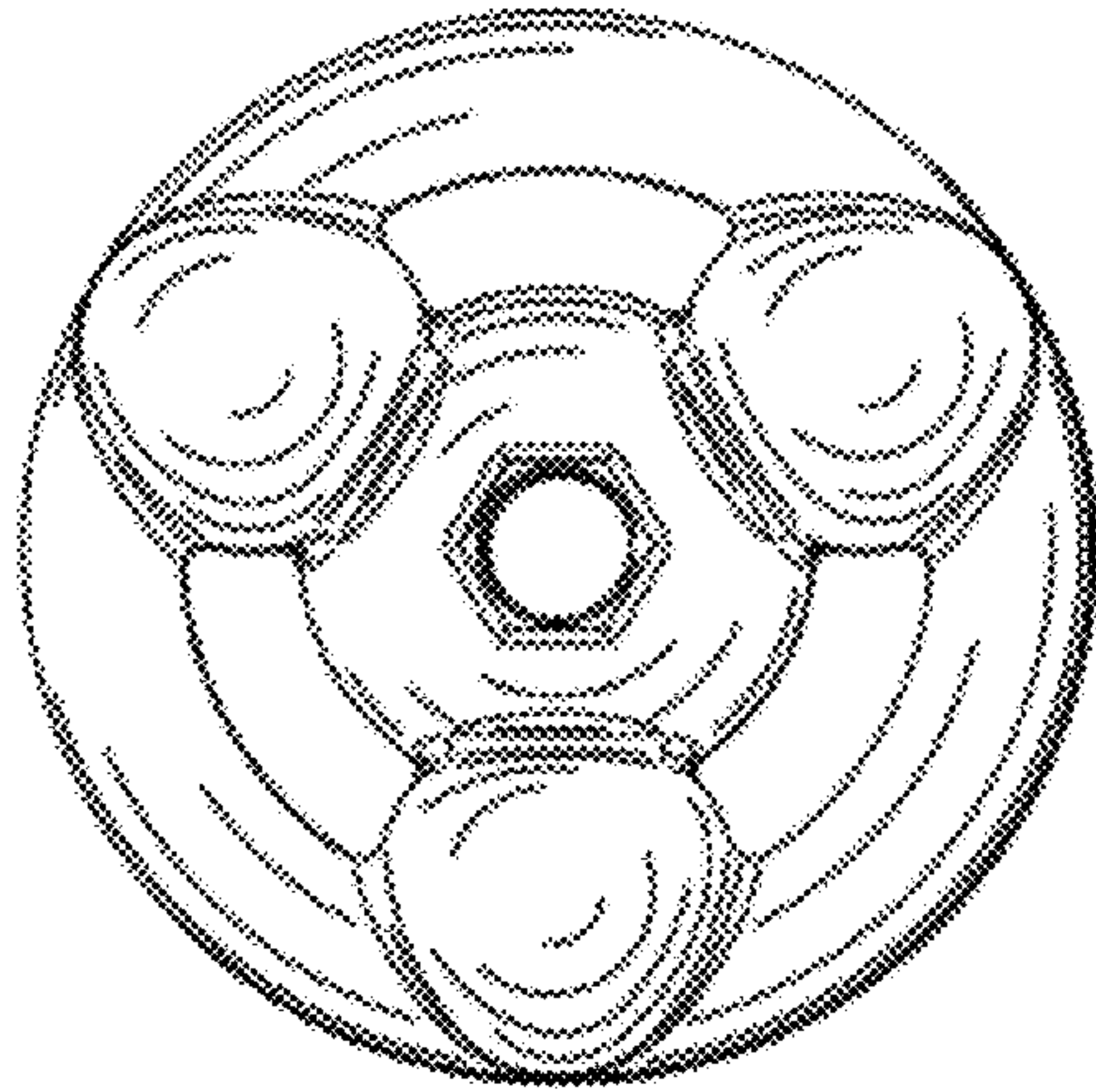


FIG. 1

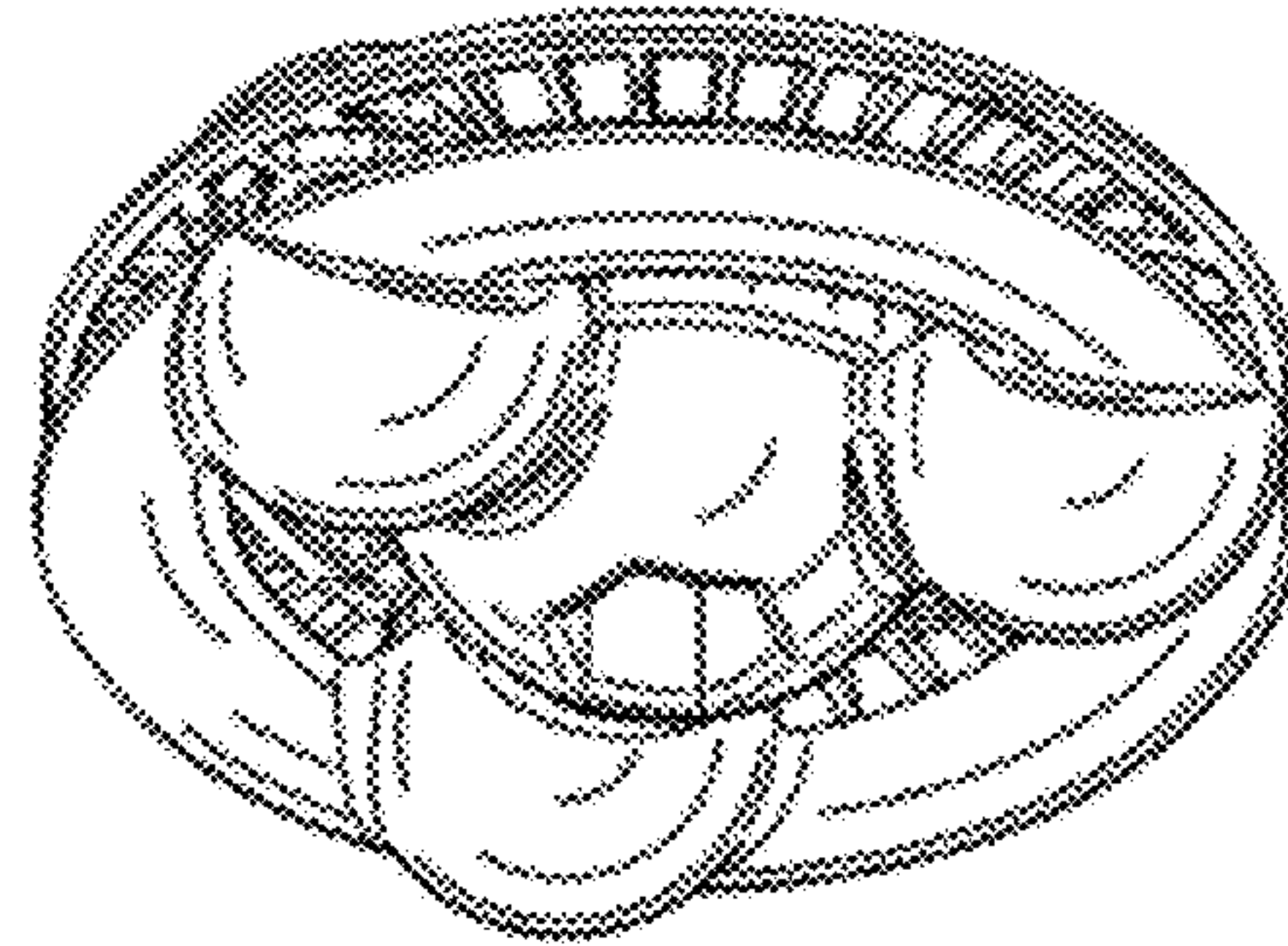


FIG. 4

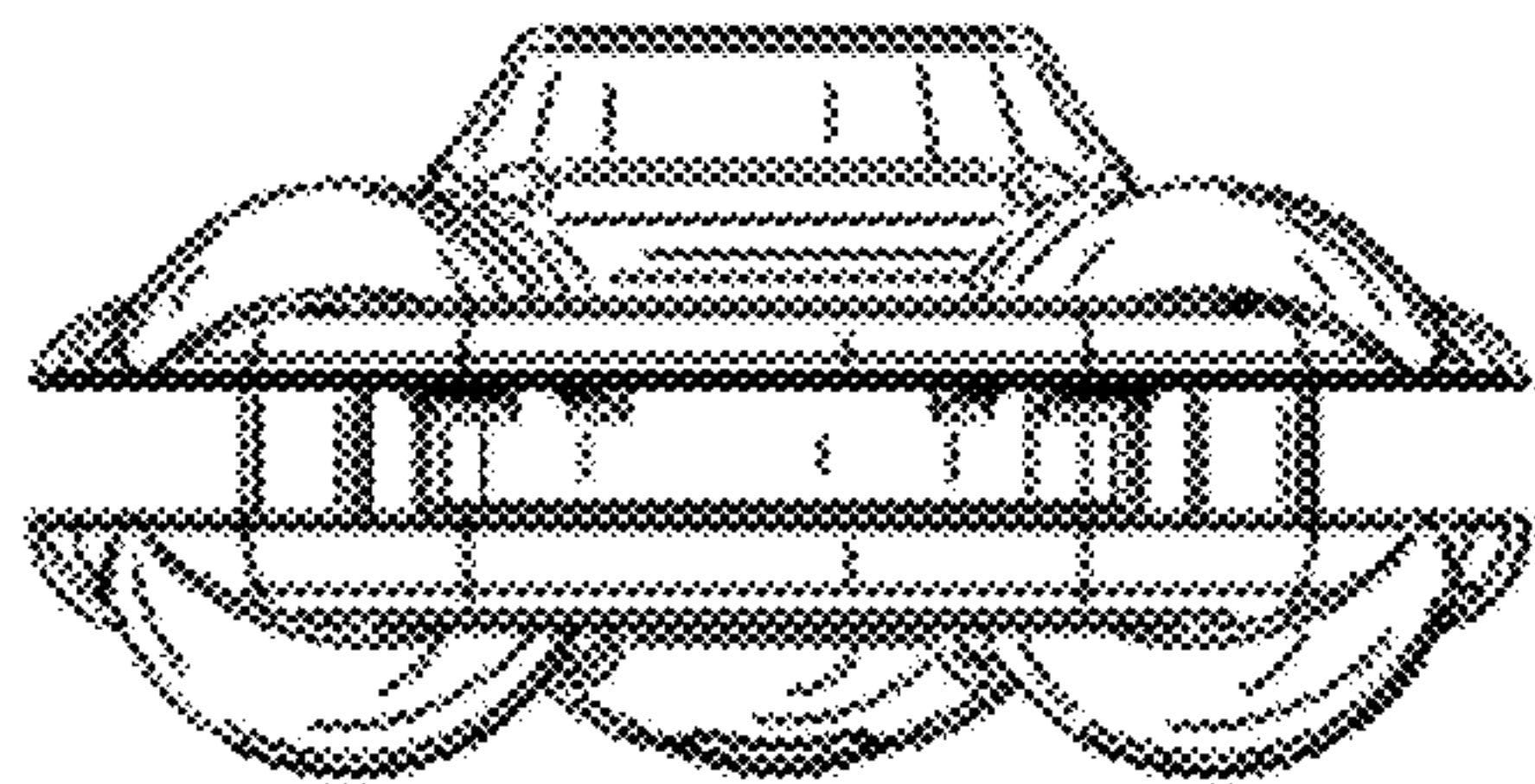


FIG. 2

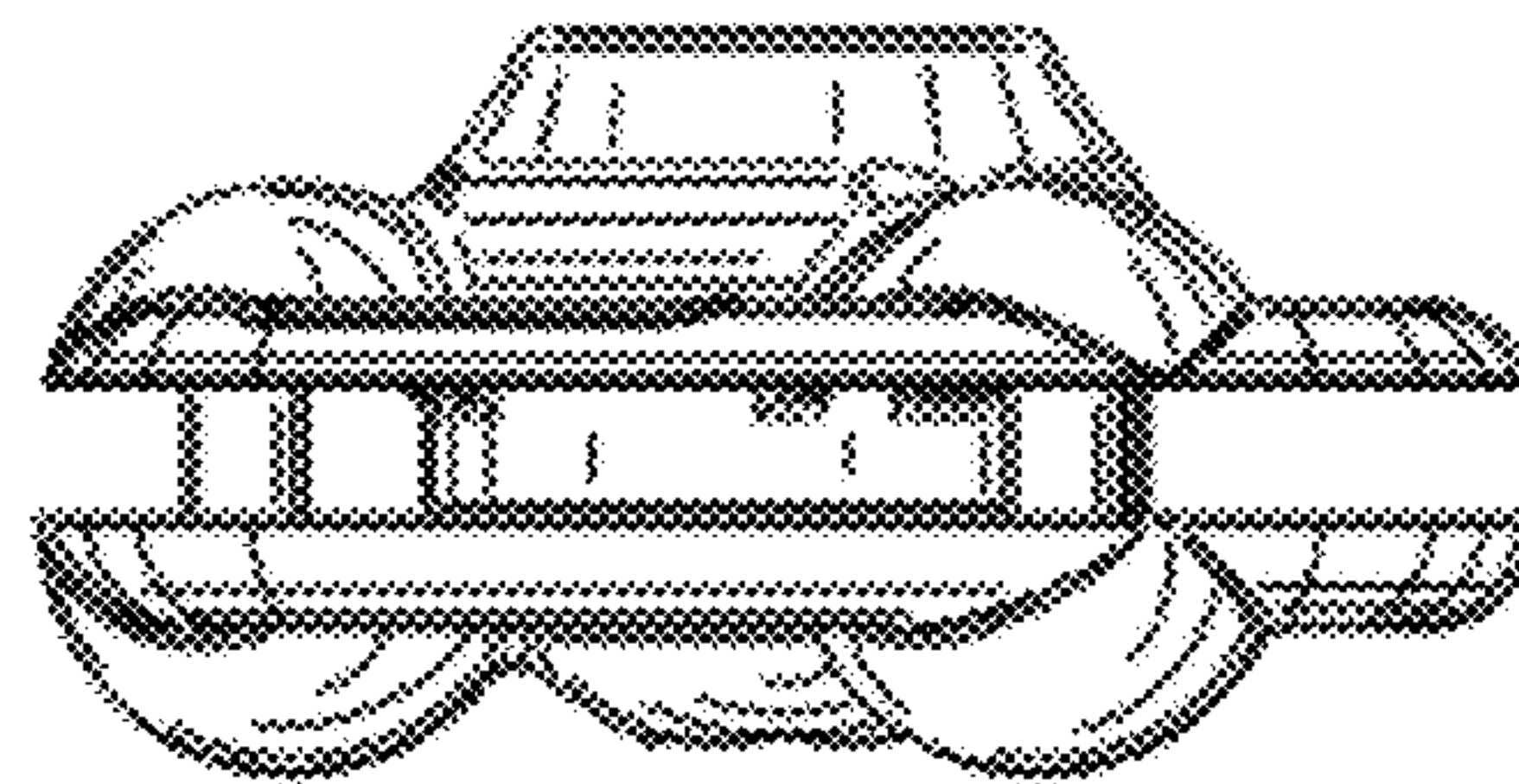


FIG. 5

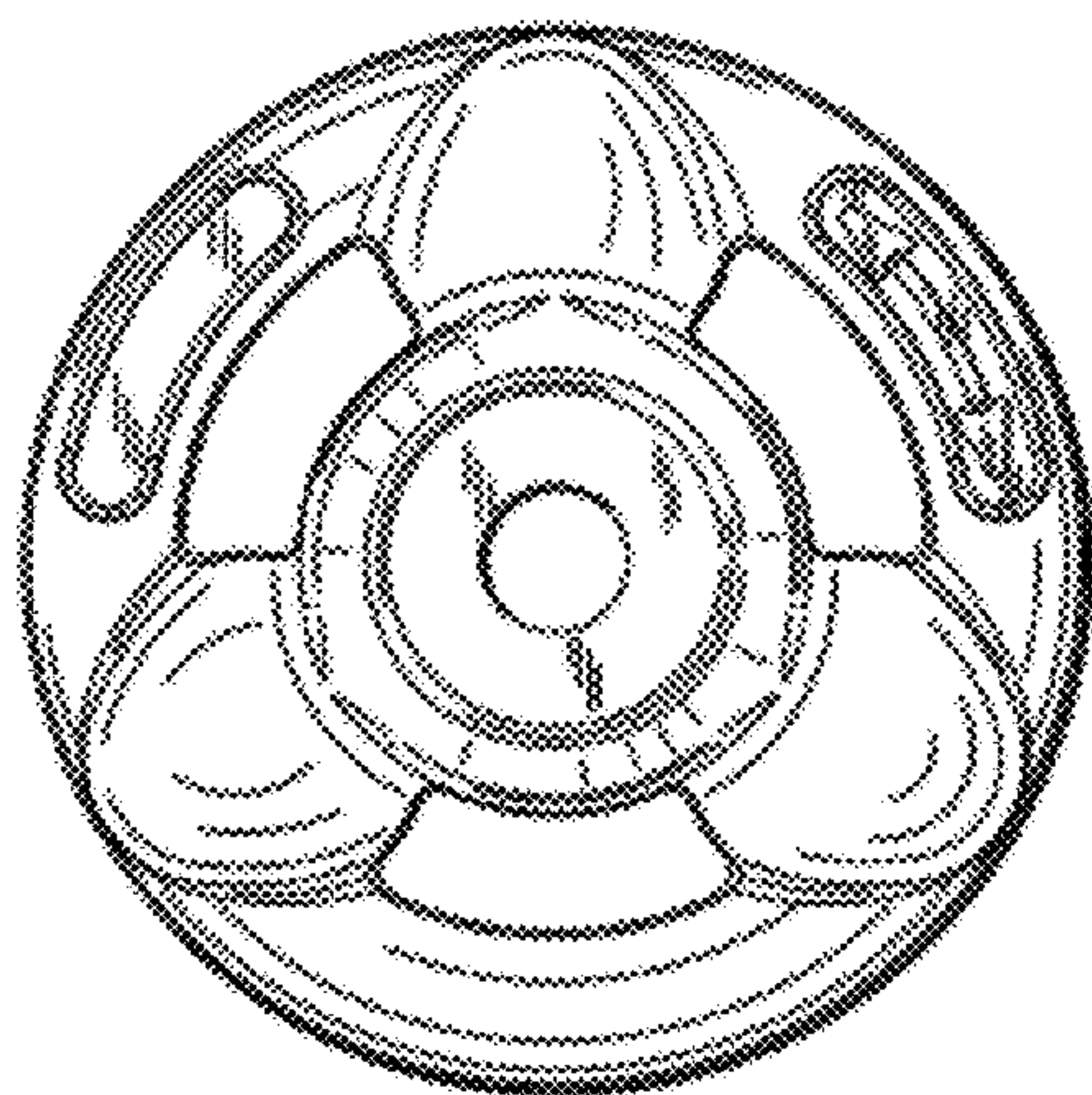


FIG. 3

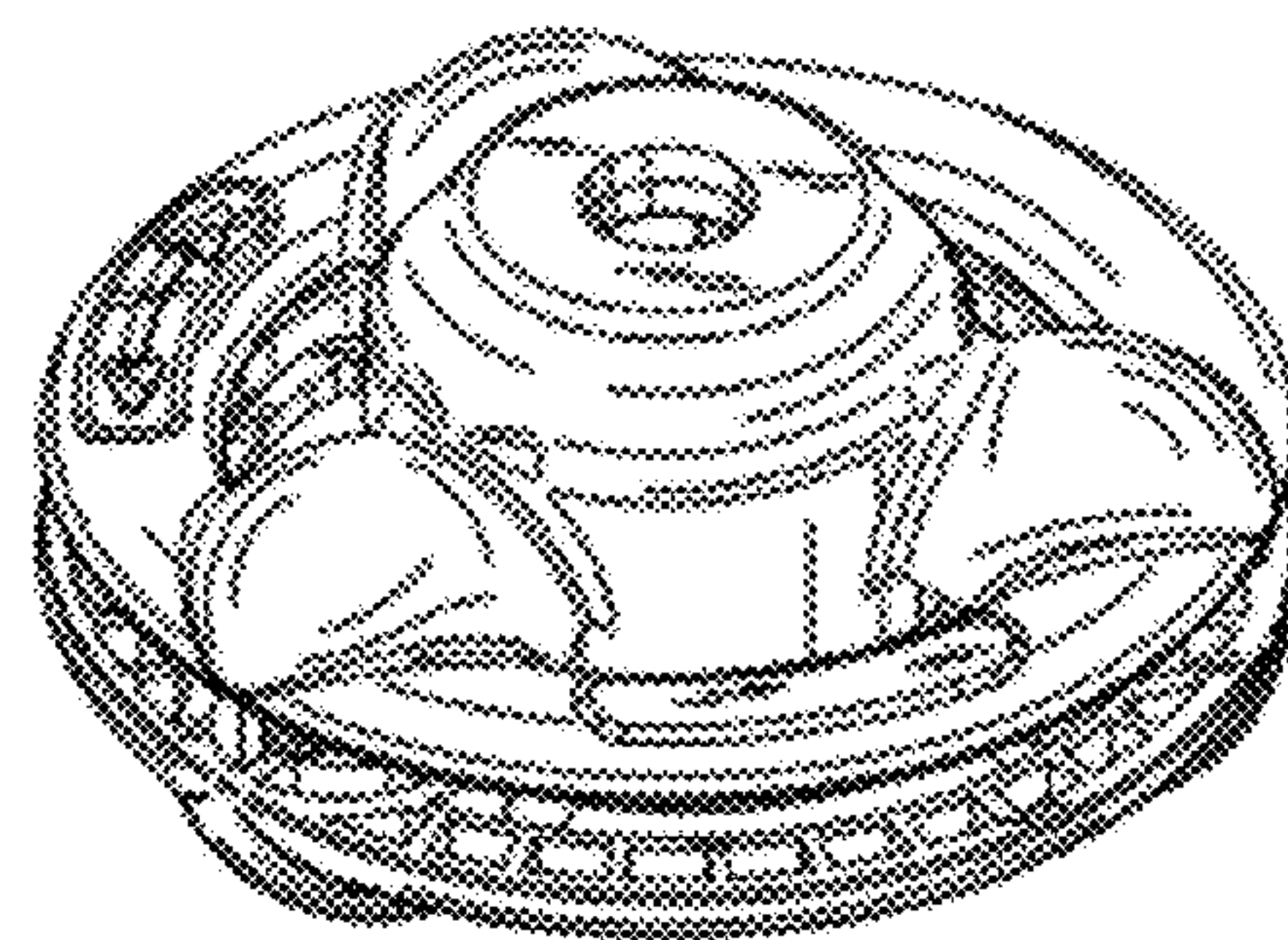


FIG. 6