



US00D653918S

(12) **United States Design Patent**  
**Bagley**

(10) **Patent No.:** **US D653,918 S**

(45) **Date of Patent:** **\*\* Feb. 14, 2012**

(54) **ROTARY GRATER**

(75) Inventor: **Justin Bagley**, Seattle, WA (US)

(73) Assignee: **Progressive International Corporation**,  
Kent, WA (US)

(\*\*) Term: **14 Years**

(21) Appl. No.: **29/385,042**

(22) Filed: **Feb. 8, 2011**

(51) **LOC (9) Cl.** ..... **07-04**

(52) **U.S. Cl.** ..... **D7/678**

(58) **Field of Classification Search** ..... D7/672-678,  
D7/693, 381, 368, 669; 241/92-95, 100,  
241/168, 169, 169.1, 273.1-273.4; 30/114,  
30/278, 279.6, 280, 283, 286, 287, 389-391;  
99/495-510

See application file for complete search history.

(56) **References Cited**

**U.S. PATENT DOCUMENTS**

389,019 A	9/1888	Smeaton	
2,271,175 A *	1/1942	Mantelet	241/280
D149,259 S	4/1948	Daniels	
2,482,180 A	9/1949	Heard	
2,505,114 A	4/1950	Hayman et al.	
2,615,486 A	10/1952	Marcus	
2,720,234 A	10/1955	Fett	
3,583,455 A	6/1971	Ostrowsky	
3,589,421 A	6/1971	Locker	
D227,534 S	7/1973	Hutzler	
D233,204 S	10/1974	Fisher	
3,912,176 A *	10/1975	Mantelet	241/93
D242,892 S	1/1977	Brown et al.	

D245,750 S	9/1977	Maclean
4,212,431 A	7/1980	Doyel
D259,759 S	7/1981	Williams
4,281,460 A	8/1981	Harris
4,790,488 A	12/1988	Borner
5,100,506 A	3/1992	Sturtevant et al.
D331,687 S	12/1992	Pujol Gilbert
D333,762 S	3/1993	Herren
D333,950 S	3/1993	So

(Continued)

**FOREIGN PATENT DOCUMENTS**

CH 178171 7/1935

(Continued)

**OTHER PUBLICATIONS**

NORPRO Delux Cheese Grater, NORPORO, Everett Wash. 98203  
(exact date of manufacture not available).

*Primary Examiner* — Terry Wallace

(74) *Attorney, Agent, or Firm* — Lowe Graham Jones PLLC

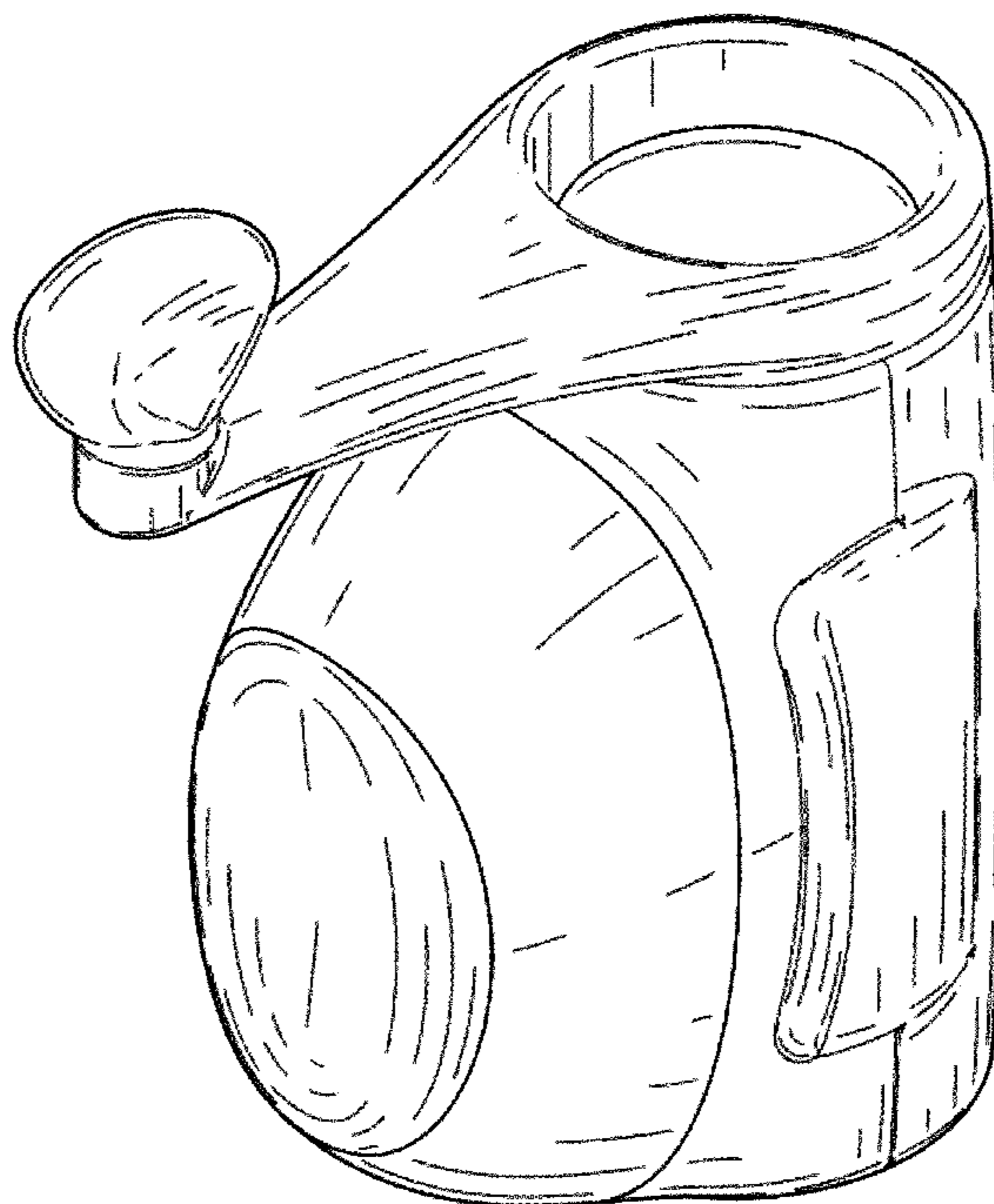
(57) **CLAIM**

I claim the ornamental design for the rotary grater, as shown.

**DESCRIPTION**

FIG. 1 is a perspective view of the rotary grater, showing my new design;  
FIG. 2 is a front view of the rotary grater;  
FIG. 3 is a back view of the rotary grater;  
FIG. 4 is a left side view of the rotary grater;  
FIG. 5 is a right side view of the rotary grater;  
FIG. 6 is a top view of the rotary grater; and,  
FIG. 7 is a bottom view of the rotary grater.

**1 Claim, 6 Drawing Sheets**



# US D653,918 S

Page 2

## U.S. PATENT DOCUMENTS

D337,489 S 7/1993 So  
D337,491 S 7/1993 So  
D347,149 S 5/1994 Feer et al.  
5,312,054 A 5/1994 Feer et al.  
D349,432 S 8/1994 Kibbe  
D352,422 S 11/1994 Bigelow  
D352,640 S 11/1994 Kibbe  
D354,886 S 1/1995 Diefenbach  
D389,019 S 1/1998 Molo  
5,803,378 A \* 9/1998 Wolters ..... 241/93  
D399,432 S 10/1998 Mouawad  
6,082,645 A 7/2000 Mimmighofen et al.  
6,135,375 A 10/2000 Kaposi et al.  
D438,433 S 3/2001 Kaposi et al.  
D448,256 S 9/2001 Ancona et al.

6,315,224 B1 11/2001 Holcomb et al.  
6,464,156 B1 \* 10/2002 Wexell ..... 241/93  
D493,074 S \* 7/2004 Brousseau et al. .... D7/678  
6,766,972 B1 \* 7/2004 Prommel et al. .... 241/93  
D517,871 S \* 3/2006 Takayama et al. .... D7/678  
D517,873 S \* 3/2006 So ..... D7/678  
7,137,581 B2 \* 11/2006 Takayama et al. .... 241/169.1  
D578,839 S \* 10/2008 McGuyer et al. .... D7/678  
7,637,445 B2 \* 12/2009 So et al. .... 241/93

## FOREIGN PATENT DOCUMENTS

GB 2335841 A 10/1999  
GB 2048023 1/2000  
GR 871808 7/1987

\* cited by examiner

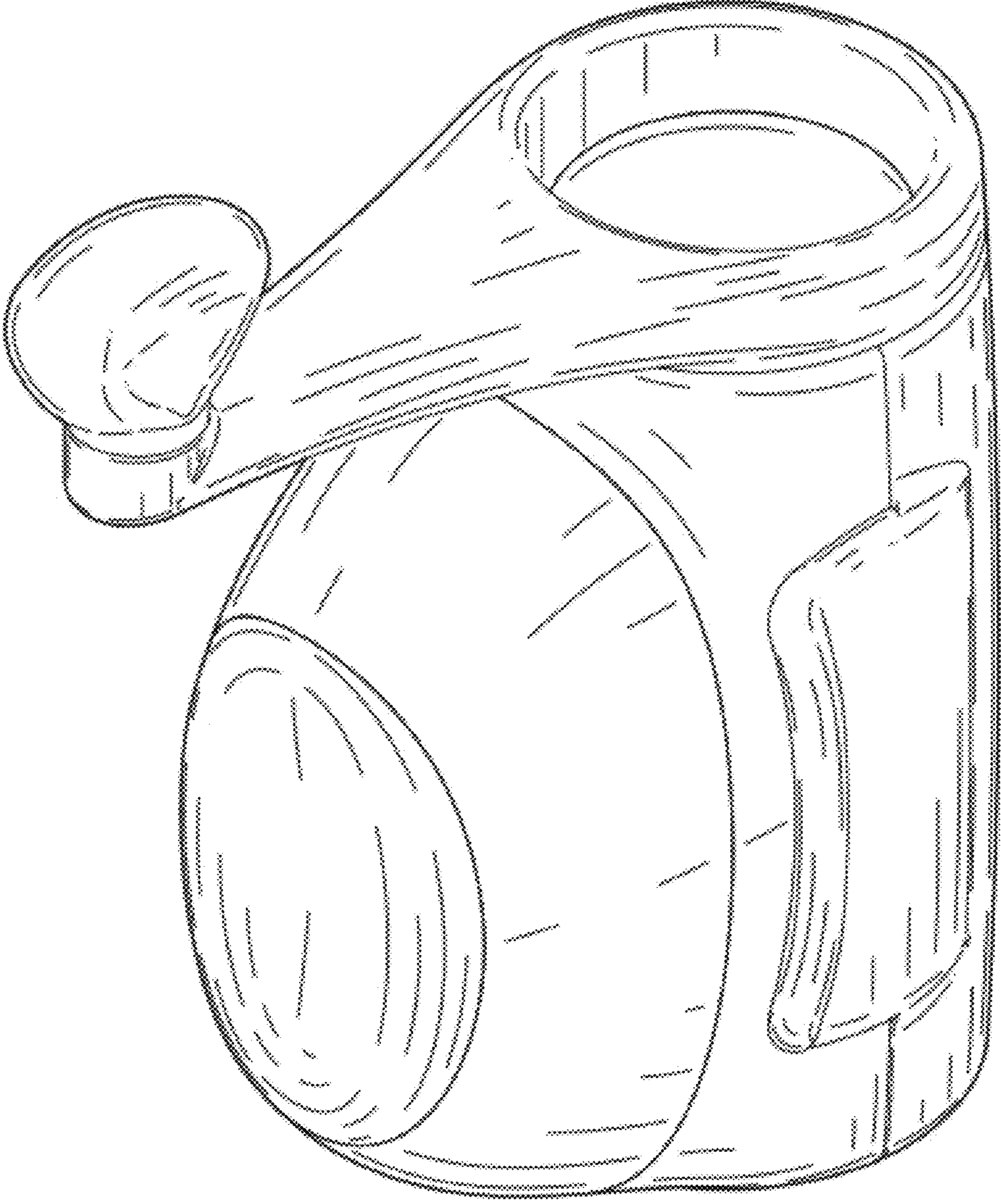


FIG.1

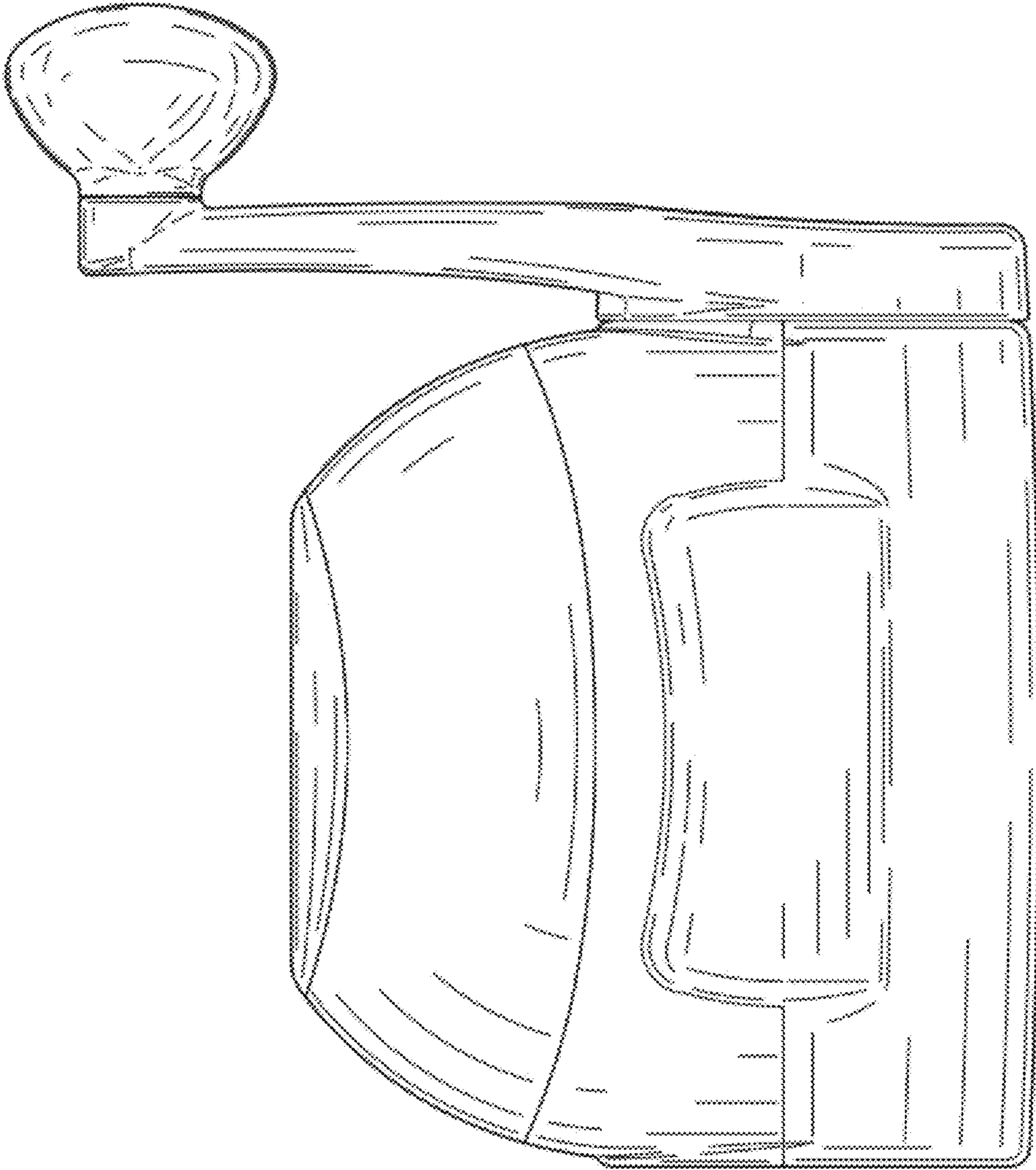


FIG.2

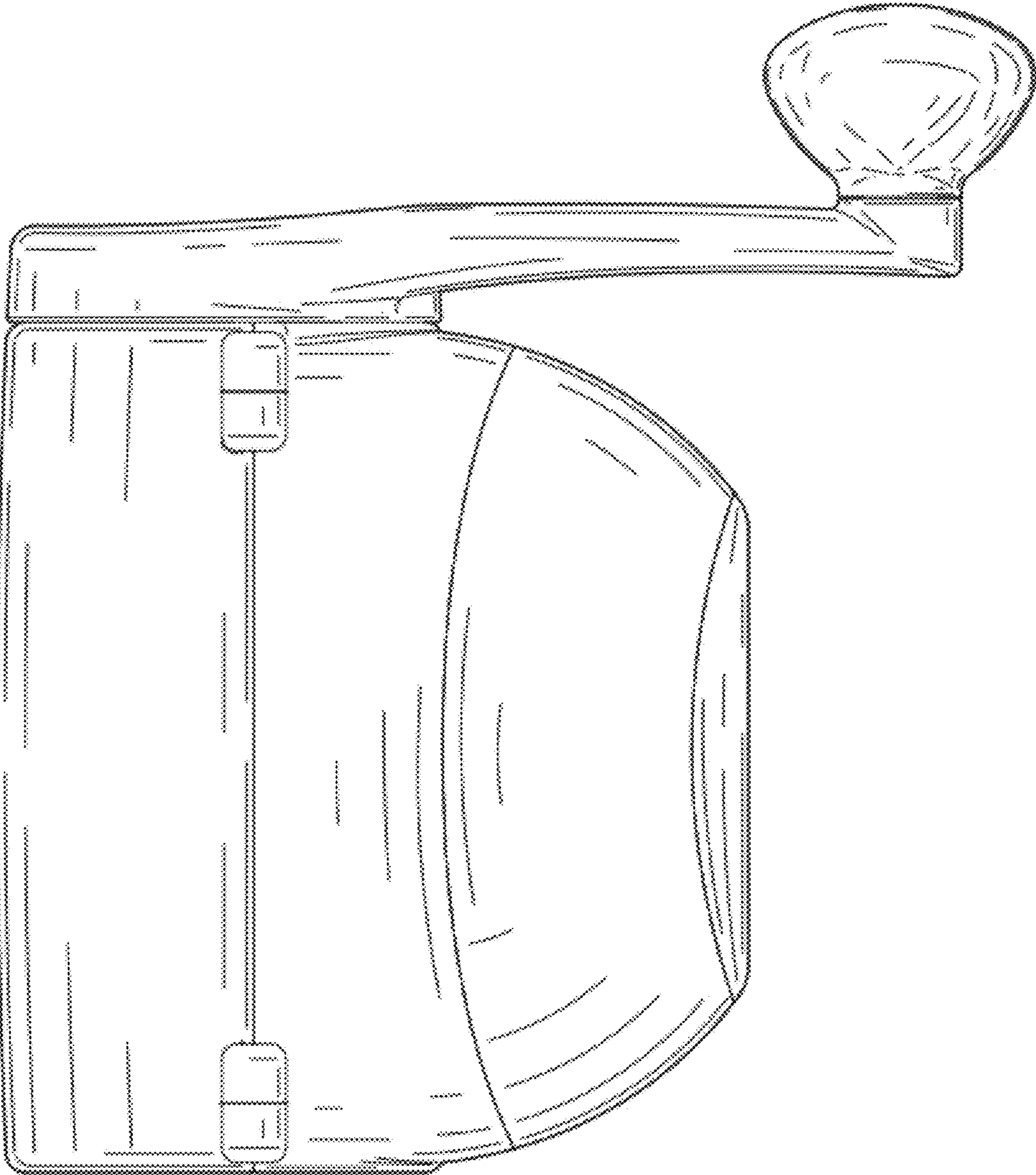


FIG. 3

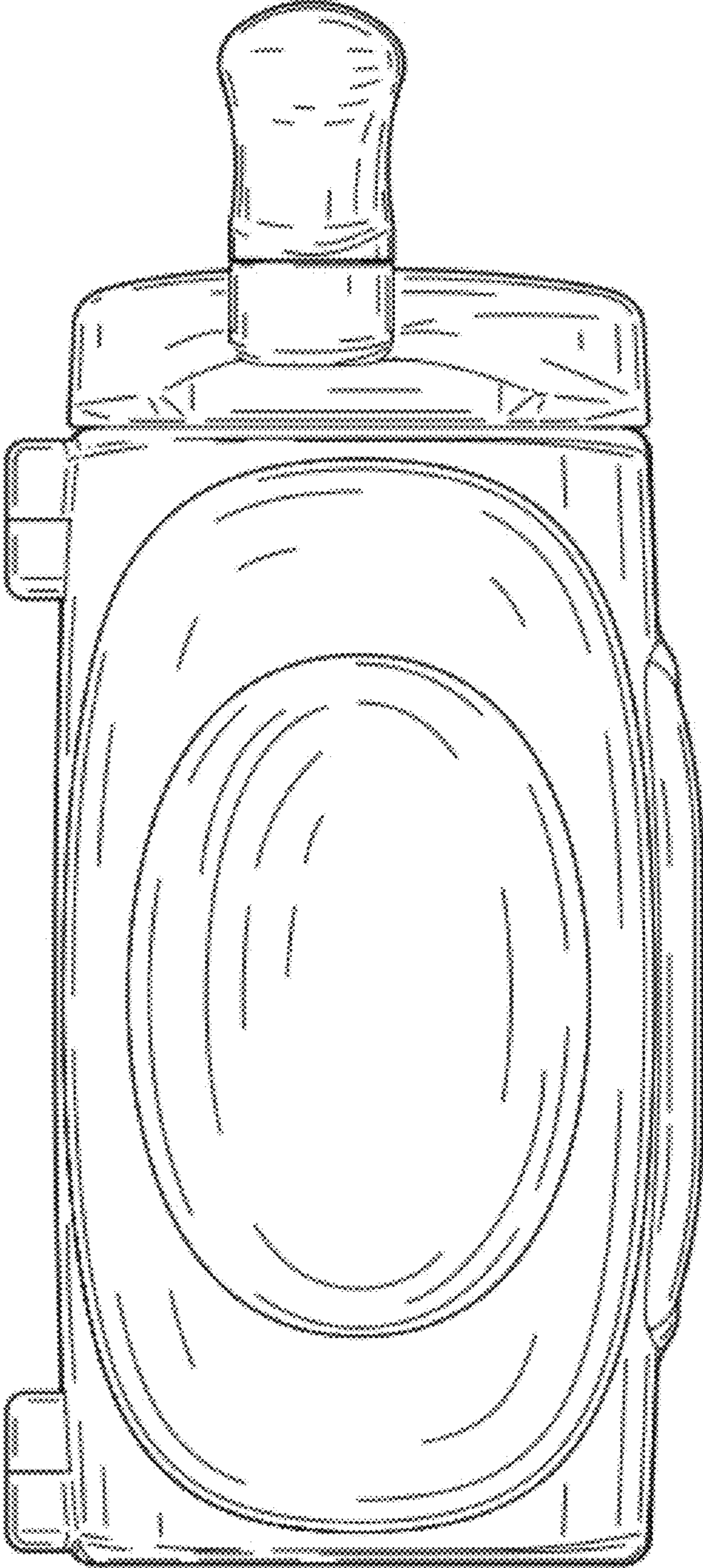


FIG. 4

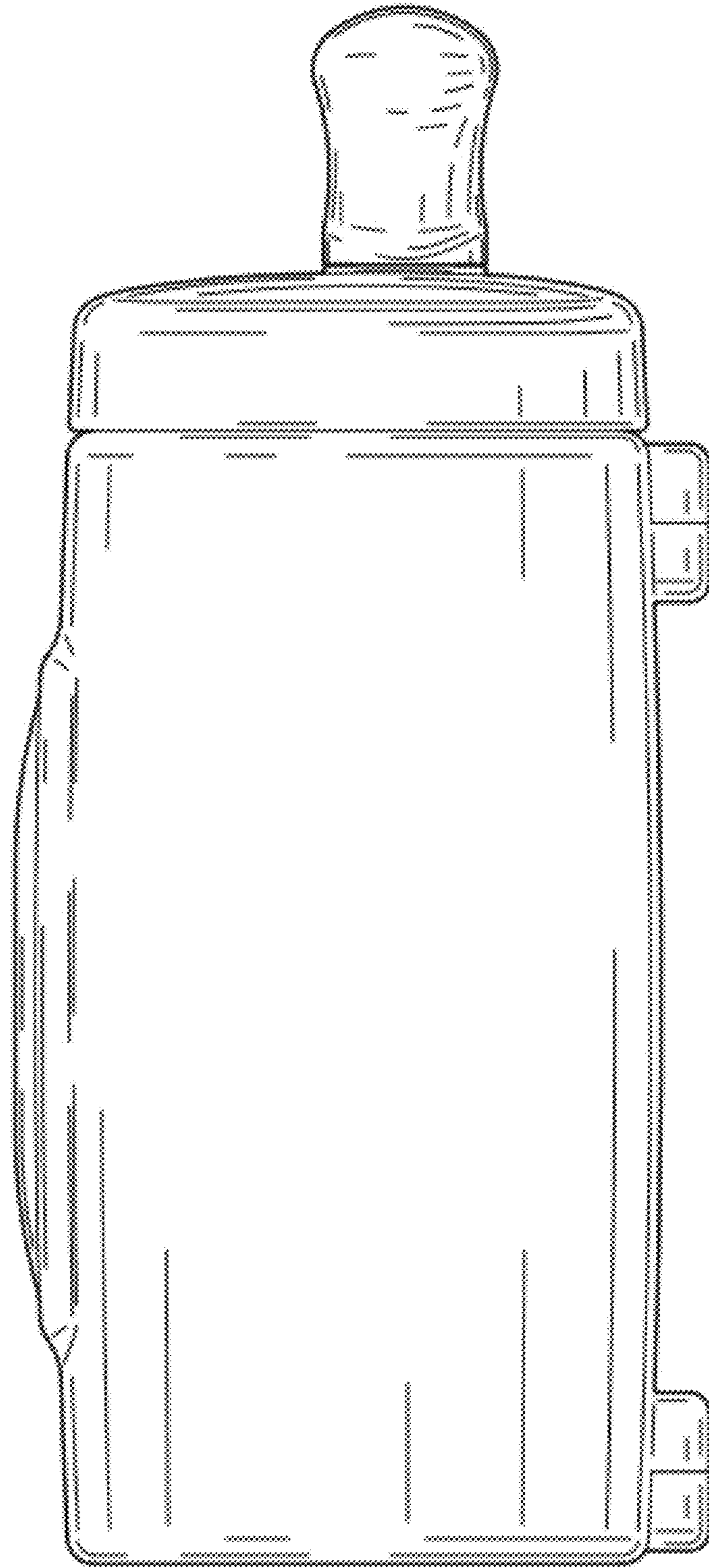


FIG. 5

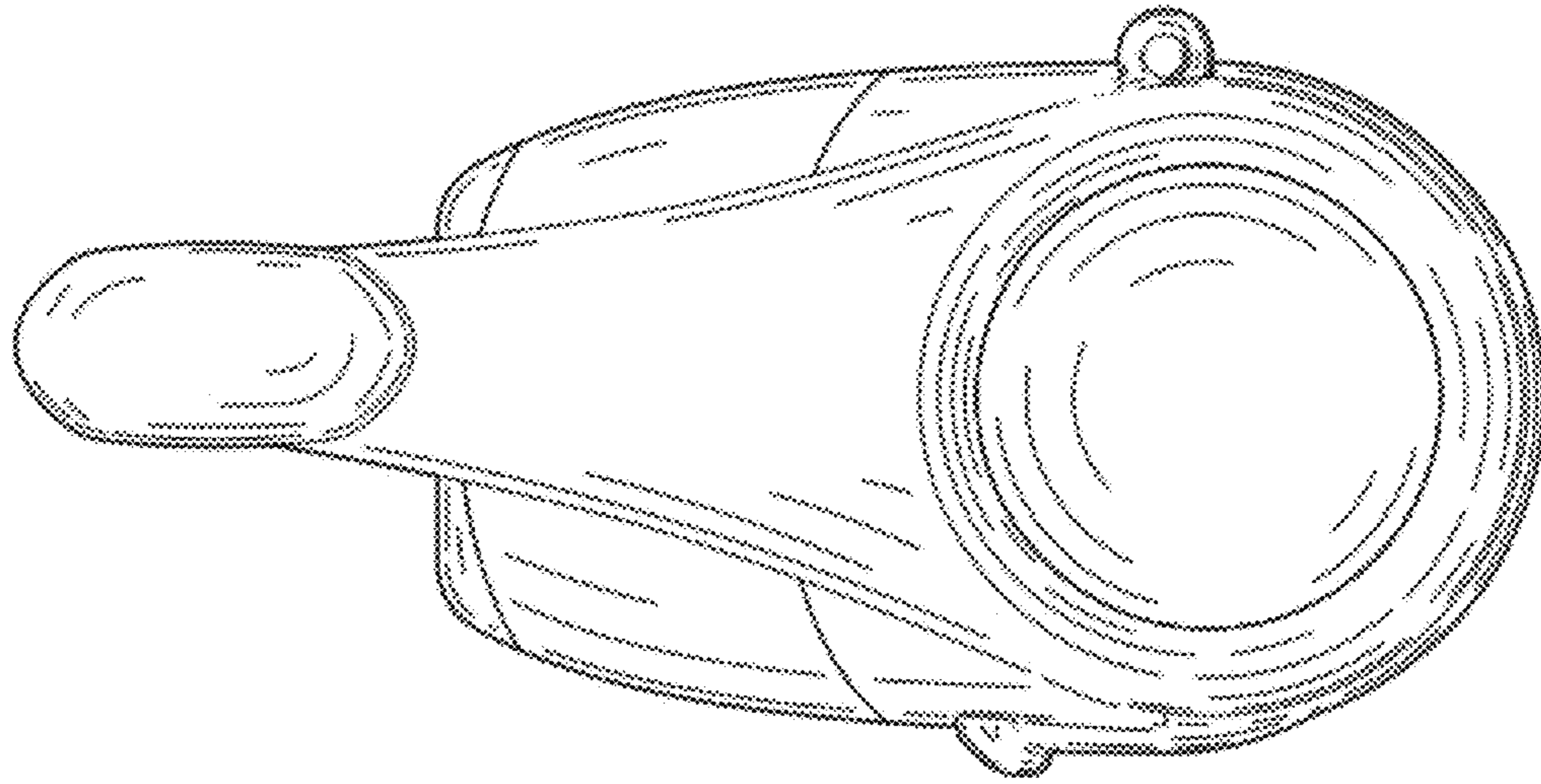


FIG. 6

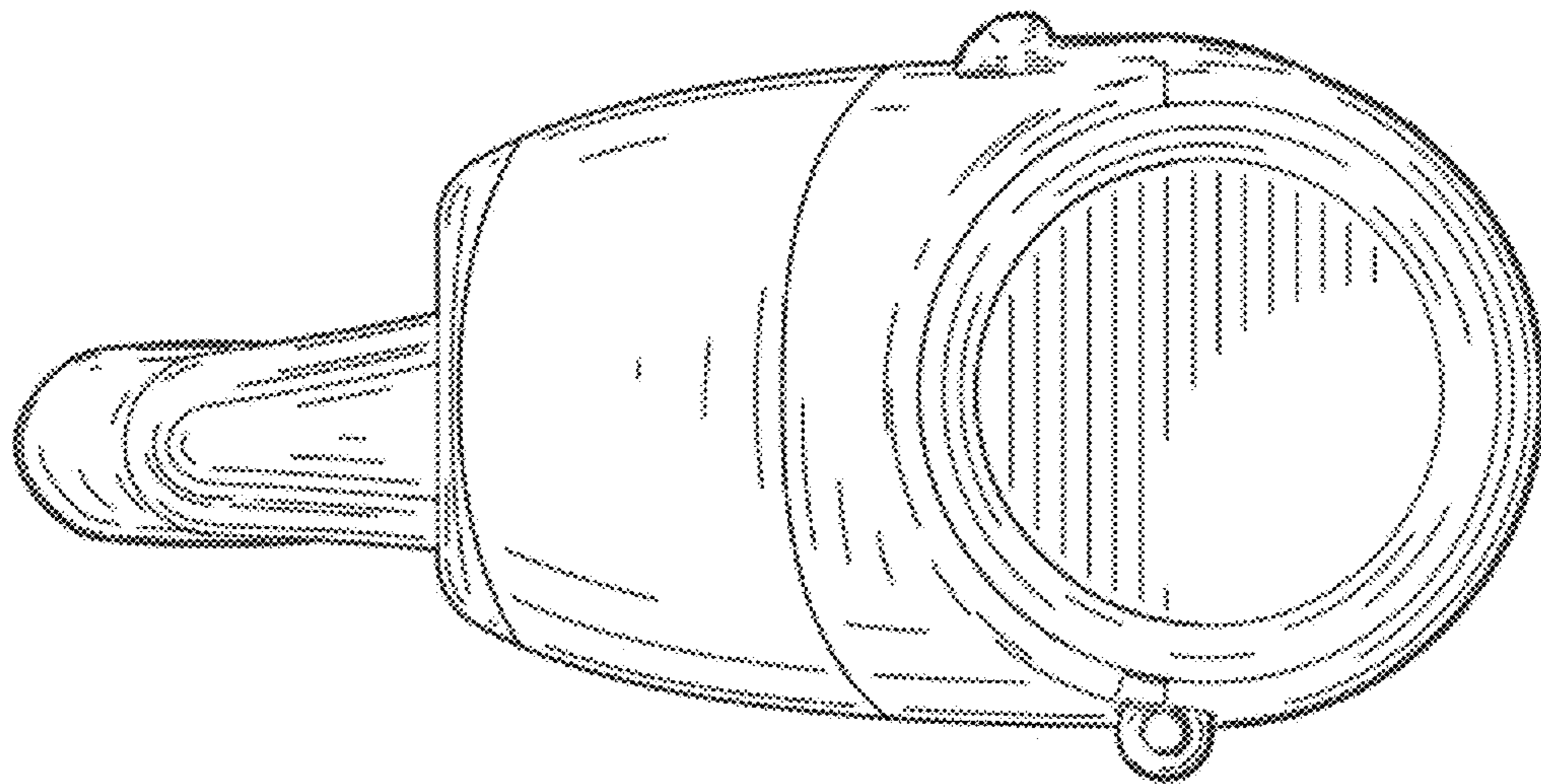


FIG. 7