



US00D653912S

(12) **United States Design Patent**  
**Tang**

(10) **Patent No.:** **US D653,912 S**

(45) **Date of Patent:** **\*\* Feb. 14, 2012**

(54) **SPRAY CONTAINER**

(75) Inventor: **Lee Shek Tang**, Kwai Chung (HK)

(73) Assignee: **Best Luck Technology Development Limited**, New Territories (HK)

(\*\*) Term: **14 Years**

(21) Appl. No.: **29/377,207**

(22) Filed: **Oct. 19, 2010**

(30) **Foreign Application Priority Data**

Jul. 5, 2010 (HK) ..... 1001214

(51) **LOC (9) Cl.** ..... **07-06**

(52) **U.S. Cl.** ..... **D7/590**

(58) **Field of Classification Search** ..... D7/590,  
D7/598, 401.1; D9/688, 434, 682, 685, 690,  
D9/549, 448; 222/182, 183, 394, 402.13,  
222/321.1, 325, 340, 380; D28/85-87, 91.1

See application file for complete search history.

(56) **References Cited**

U.S. PATENT DOCUMENTS

D388,319 S \* 12/1997 Lamb ..... D9/688  
D490,699 S \* 6/2004 Nelson et al. .... D9/689  
D560,976 S \* 2/2008 Ben Shlomo et al. .... D7/590

\* cited by examiner

*Primary Examiner* — Terry Wallace

(74) *Attorney, Agent, or Firm* — Joseph G. Swan, P.C.

(57) **CLAIM**

The ornamental design for a spray container, as shown and described.

**DESCRIPTION**

FIG. 1 is a perspective view of a spray container according to the present invention.

FIG. 2 is a right side elevational view of the spray container.

FIG. 3 is a left side elevational view of the spray container.

FIG. 4 is a front elevational view of the spray container.

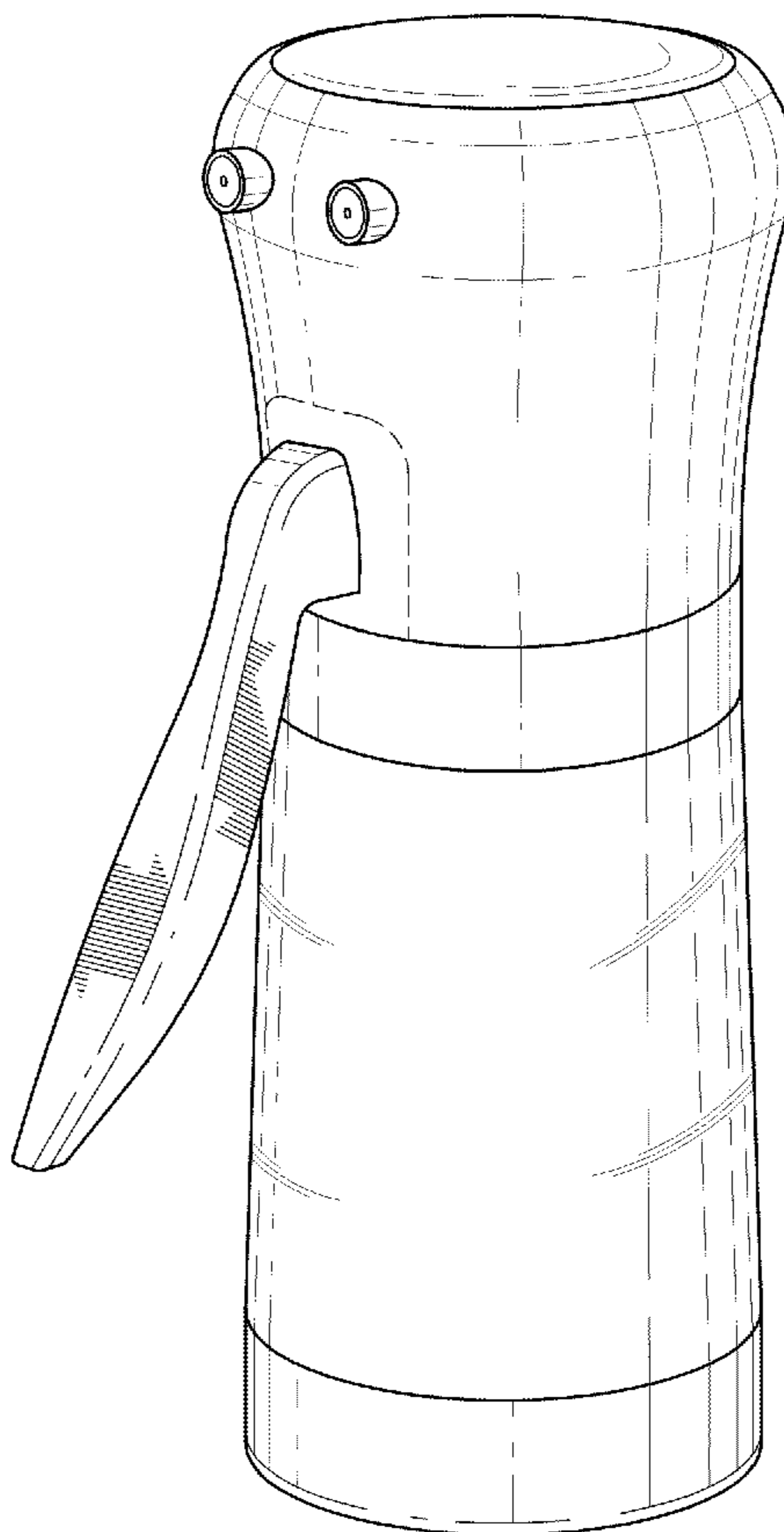
FIG. 5 is a rear elevational view of the spray container.

FIG. 6 is a top plan view of the spray container; and,

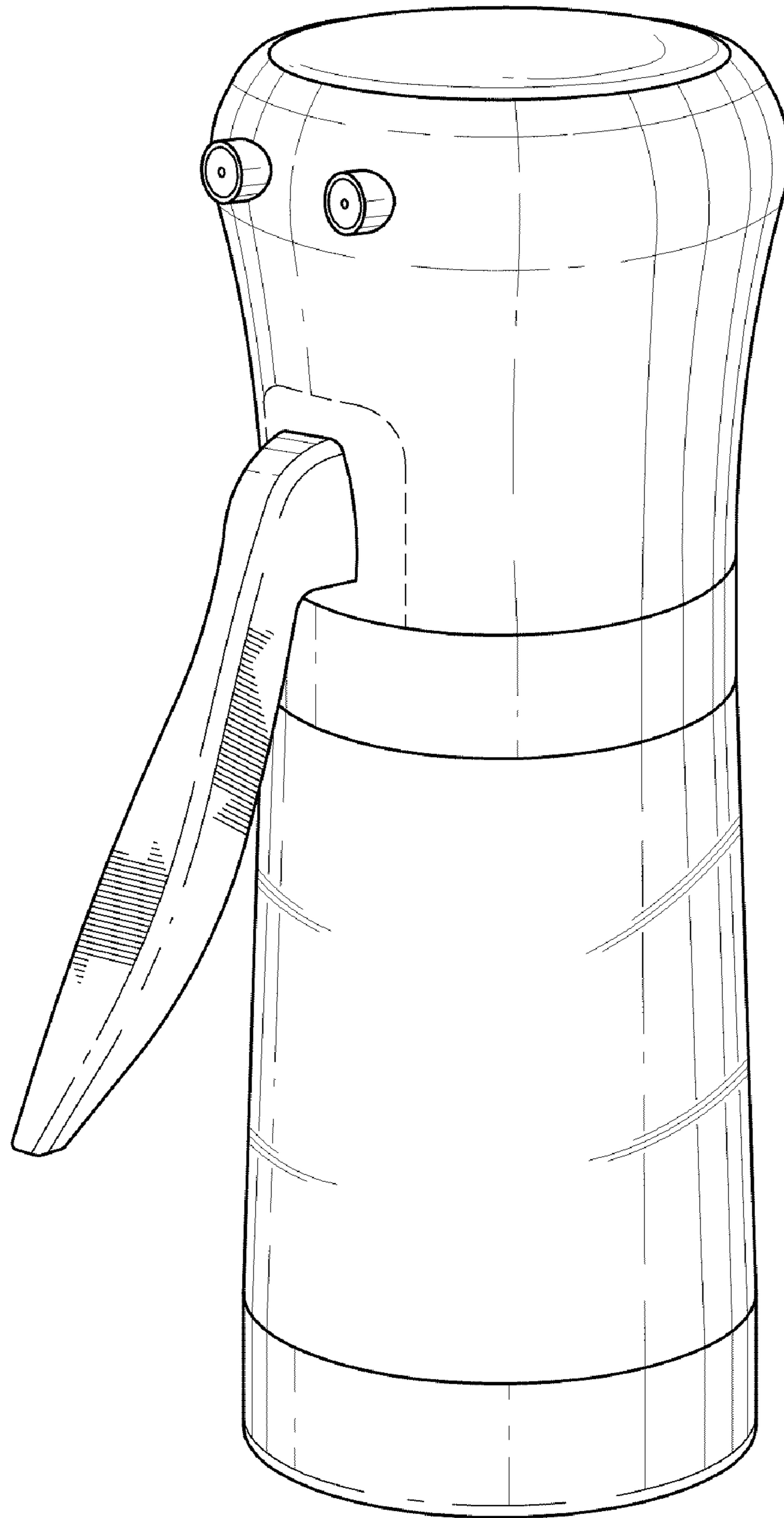
FIG. 7 is a bottom plan view of the spray container.

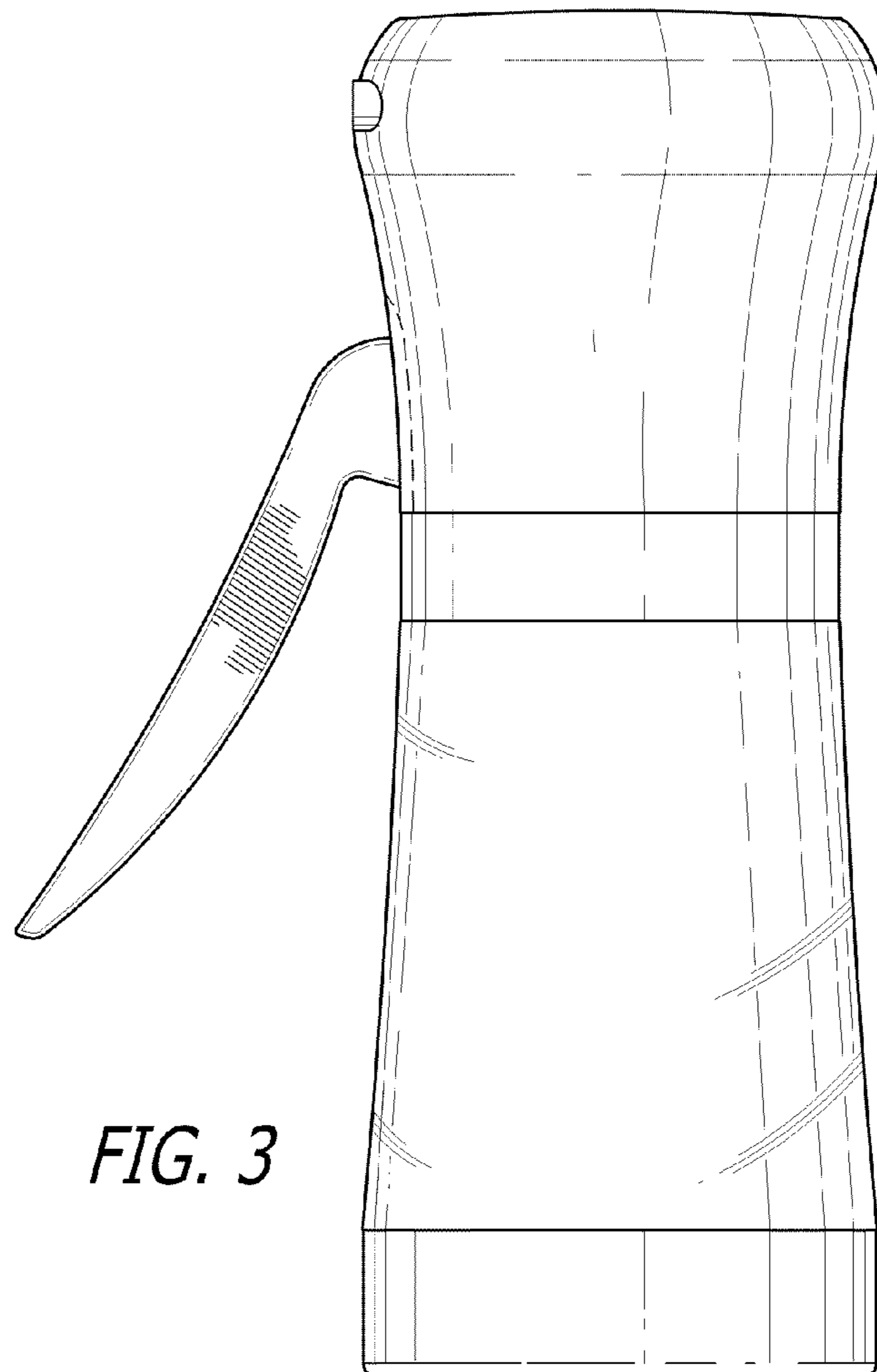
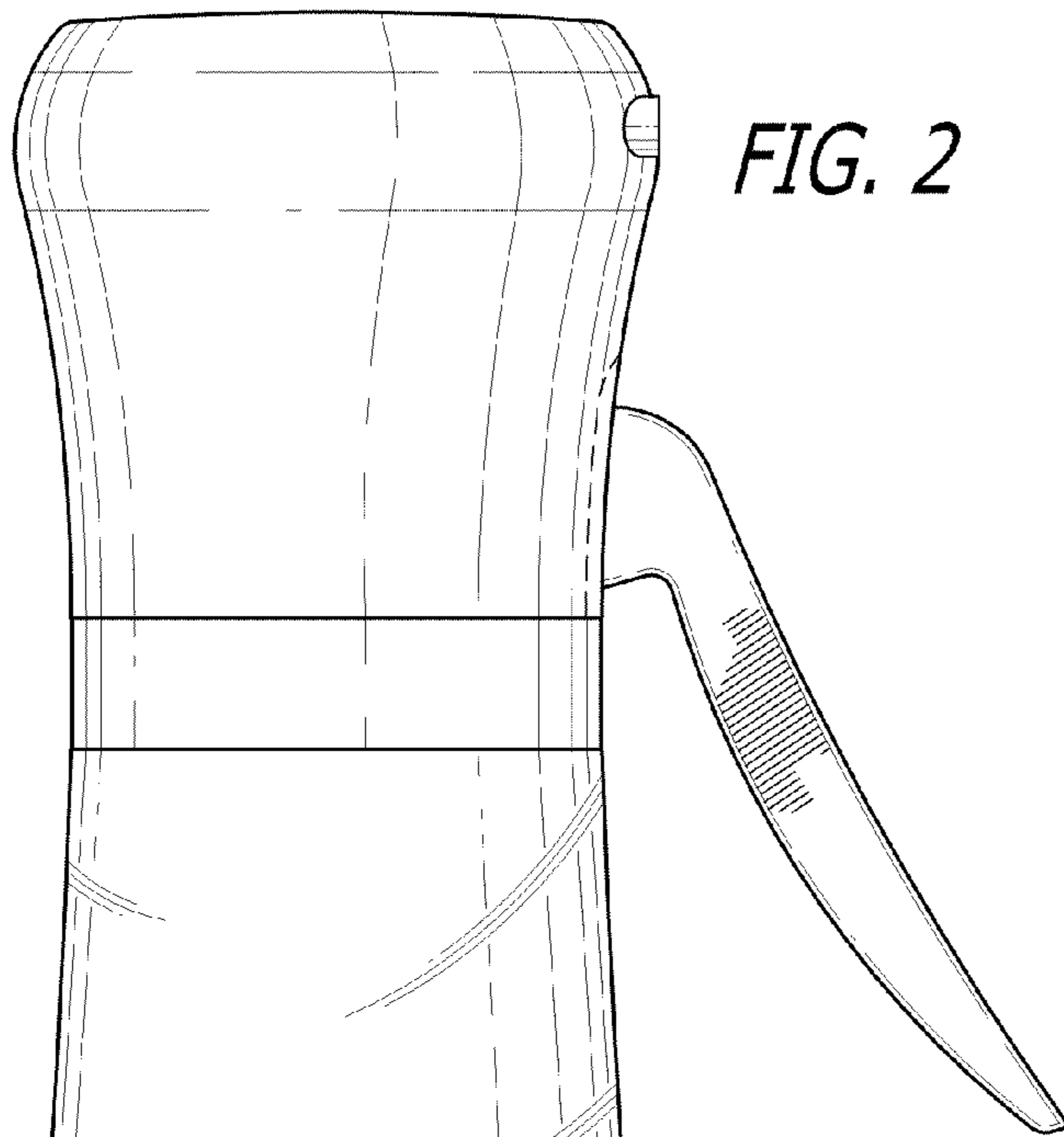
The portions shown in broken lines are solely for the purpose of illustrating context and form no part of the claimed design.

**1 Claim, 4 Drawing Sheets**



*FIG. 1*





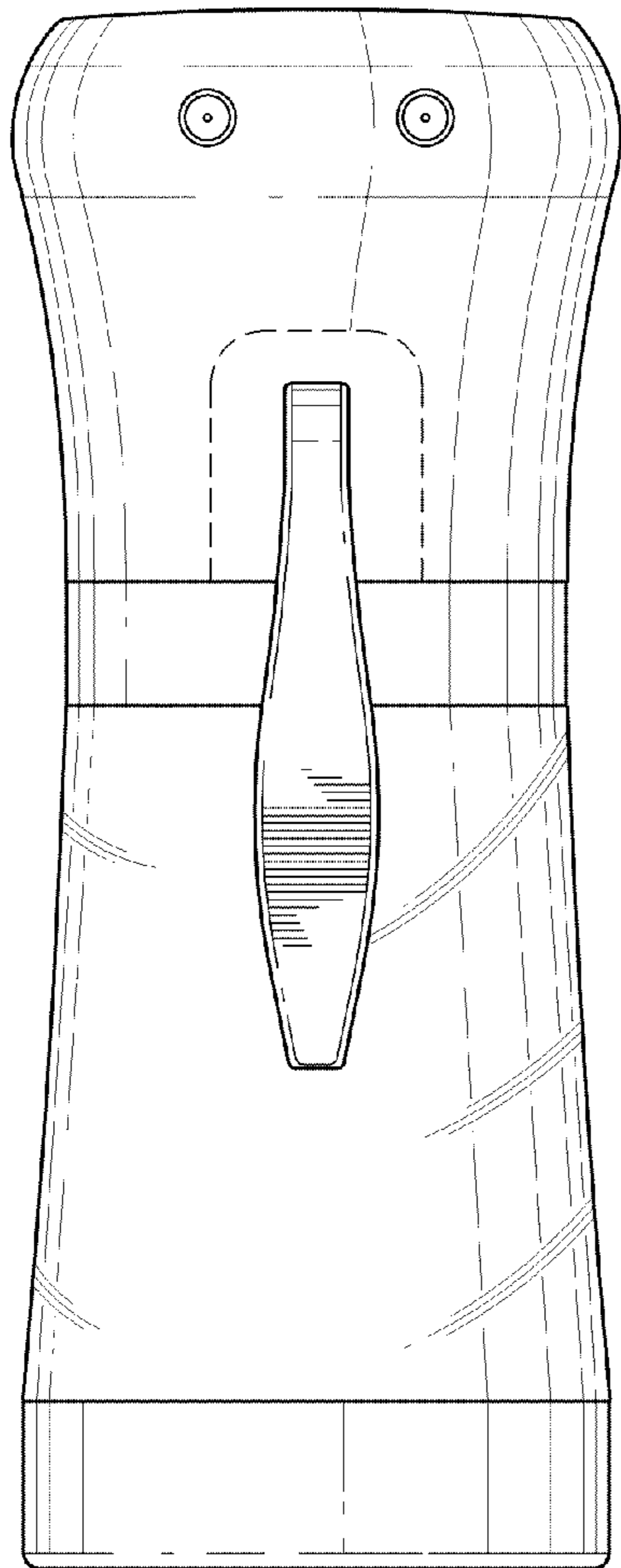


FIG. 4

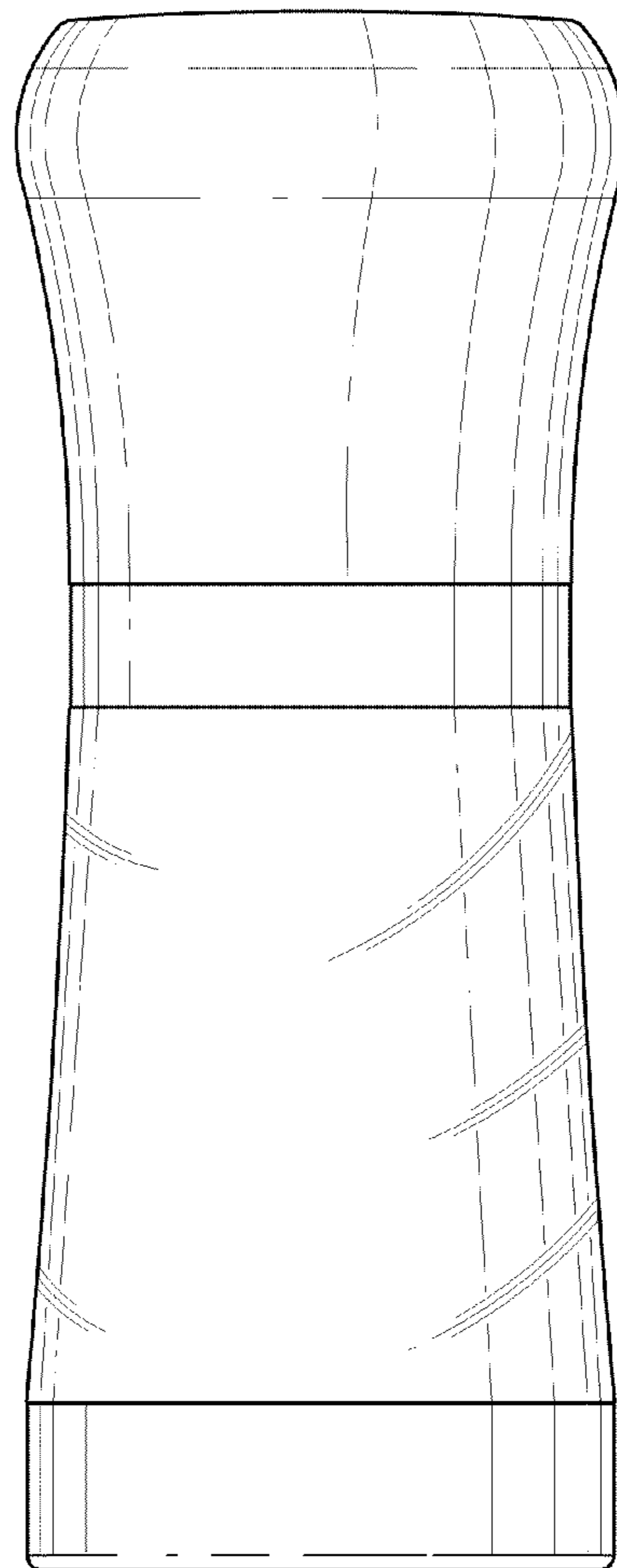
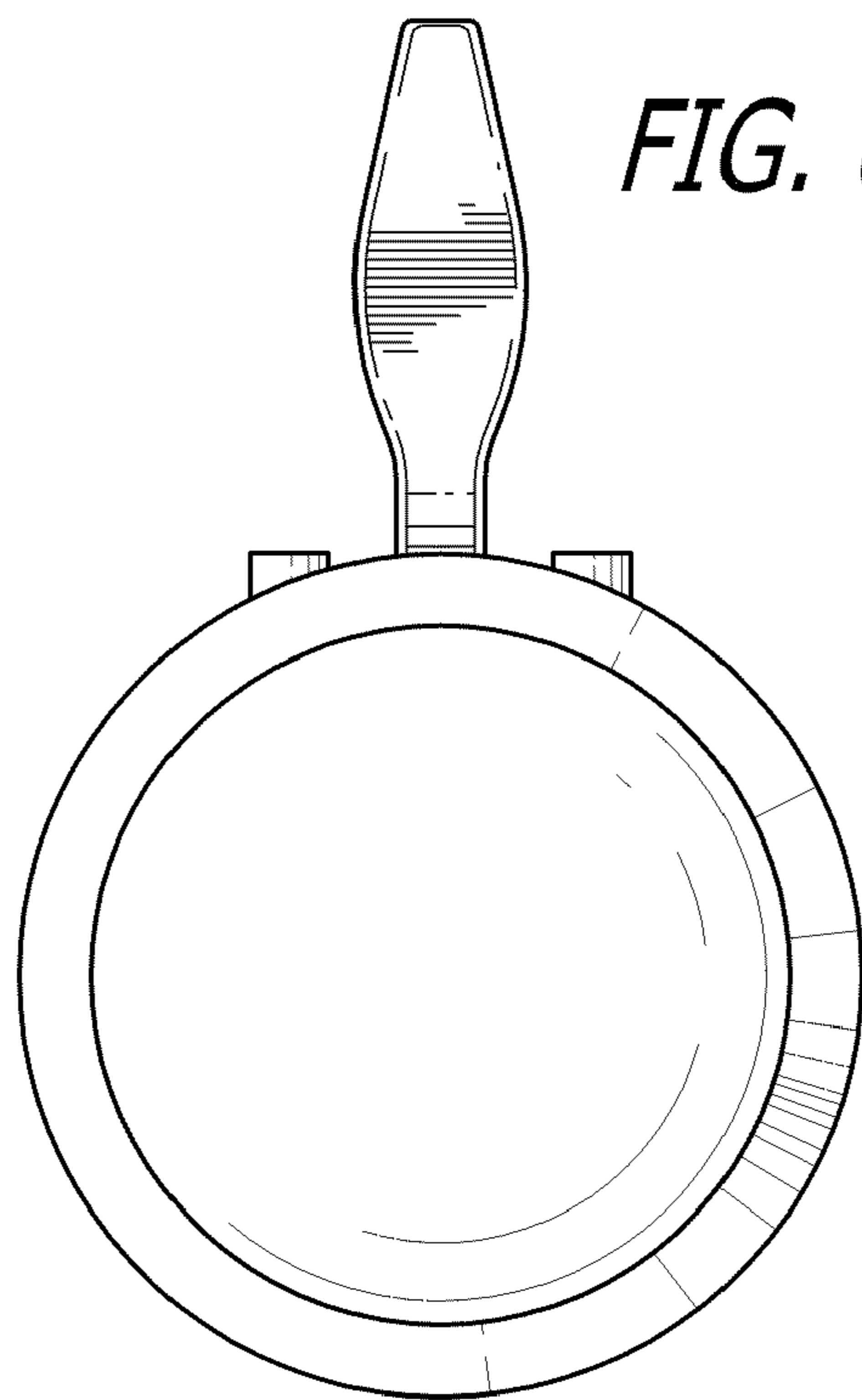
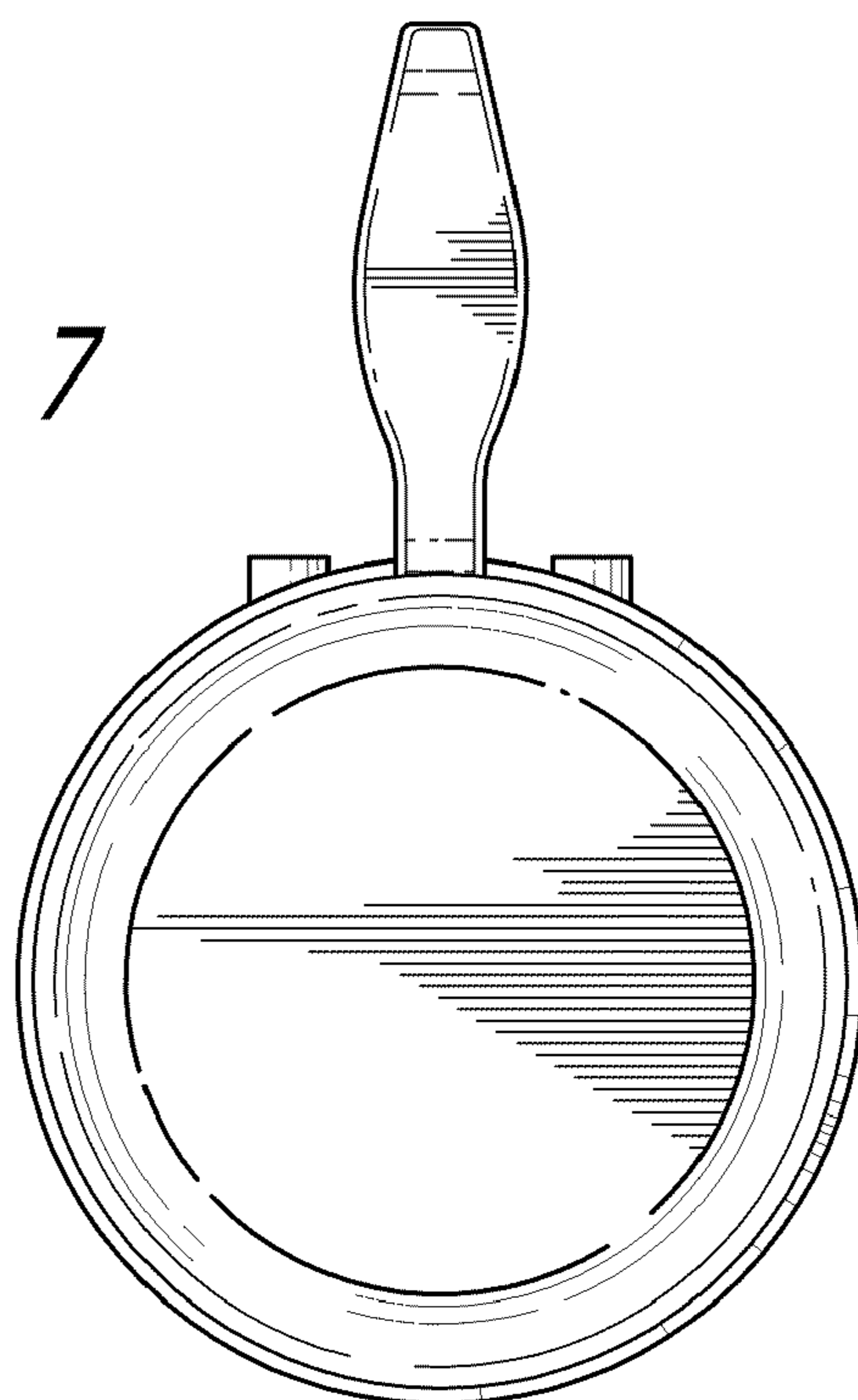


FIG. 5



*FIG. 6*



*FIG. 7*