



US00D653906S

(12) **United States Design Patent**  
**Bull et al.**

(10) **Patent No.:** **US D653,906 S**  
(45) **Date of Patent:** **\*\* Feb. 14, 2012**

(54) **COVER FOR A PIE PAN**

(75) Inventors: **Jeff Bull**, Woodridge, IL (US); **David Purcell**, Woodridge, IL (US)

(73) Assignee: **Wilton Industries, Inc.**, Woodridge, IL (US)

(\*\*) Term: **14 Years**

(21) Appl. No.: **29/357,497**

(22) Filed: **Mar. 12, 2010**

(51) **LOC (9) Cl.** ..... **07-02**

(52) **U.S. Cl.** ..... **D7/391**

(58) **Field of Classification Search** ..... D7/601,  
D7/602, 610, 629, 354, 356, 387, 390, 391,  
D7/392.1, 538, 540; D9/416, 425, 429, 435,  
D9/443, 452, 453, 454; 220/293, 212.5,  
220/780, 781, 784, 793, 309.1, 315, 316;  
215/254; 206/508, 509

See application file for complete search history.

(56) **References Cited**

**U.S. PATENT DOCUMENTS**

3,737,068	A *	6/1973	Bird	.....	220/780
3,770,115	A *	11/1973	Cannell	.....	206/508
3,955,710	A *	5/1976	Commisso	.....	220/784
D251,827	S *	5/1979	Commisso	.....	D9/435
4,375,862	A *	3/1983	Kurinsky et al.	.....	220/293
D275,636	S *	9/1984	Picozza	.....	D7/392.1
D287,207	S *	12/1986	Daenen et al.	.....	D7/392.1
D287,208	S *	12/1986	Daenen et al.	.....	D7/392.1
D302,367	S *	7/1989	Woodrow	.....	D7/392.1
D320,743	S *	10/1991	Alexander et al.	.....	D9/425

D321,324	S *	11/1991	Budzbanowski	.....	D9/425
D364,533	S *	11/1995	Brophy	.....	D7/387
D391,850	S *	3/1998	Krupa et al.	.....	D9/429
D425,751	S *	5/2000	Yu et al.	.....	D7/391
D441,290	S *	5/2001	West	.....	D9/443
D484,005	S *	12/2003	Levien	.....	D7/610
D514,372	S *	2/2006	Kaposi et al.	.....	D7/354
D558,513	S *	1/2008	Scholze et al.	.....	D7/392.1
D587,521	S *	3/2009	Thurlow et al.	.....	D7/391
D588,866	S *	3/2009	Ho	.....	D7/391
D634,618	S *	3/2011	Colacitti	.....	D9/425

**OTHER PUBLICATIONS**

Nordicware Aluminum Covered Pie Plate, 1 page, Dec. 22, 2009.

\* cited by examiner

*Primary Examiner* — Cynthia M Chin

(74) *Attorney, Agent, or Firm* — Foley & Lardner LLP

(57) **CLAIM**

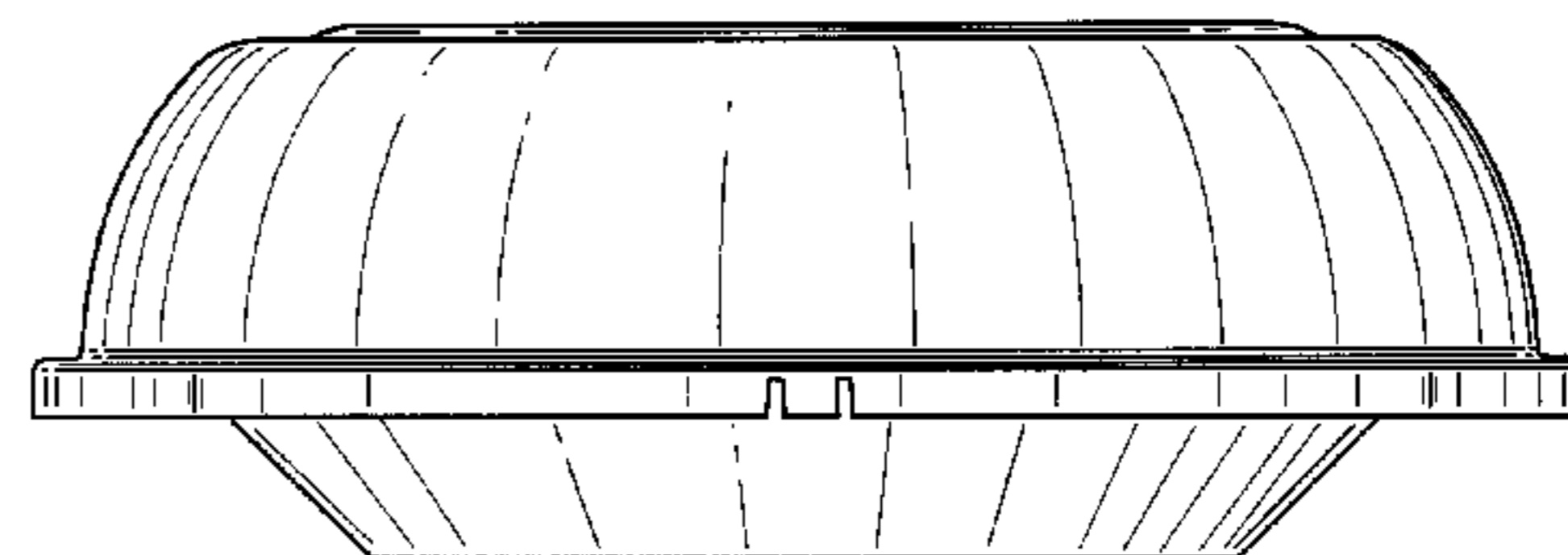
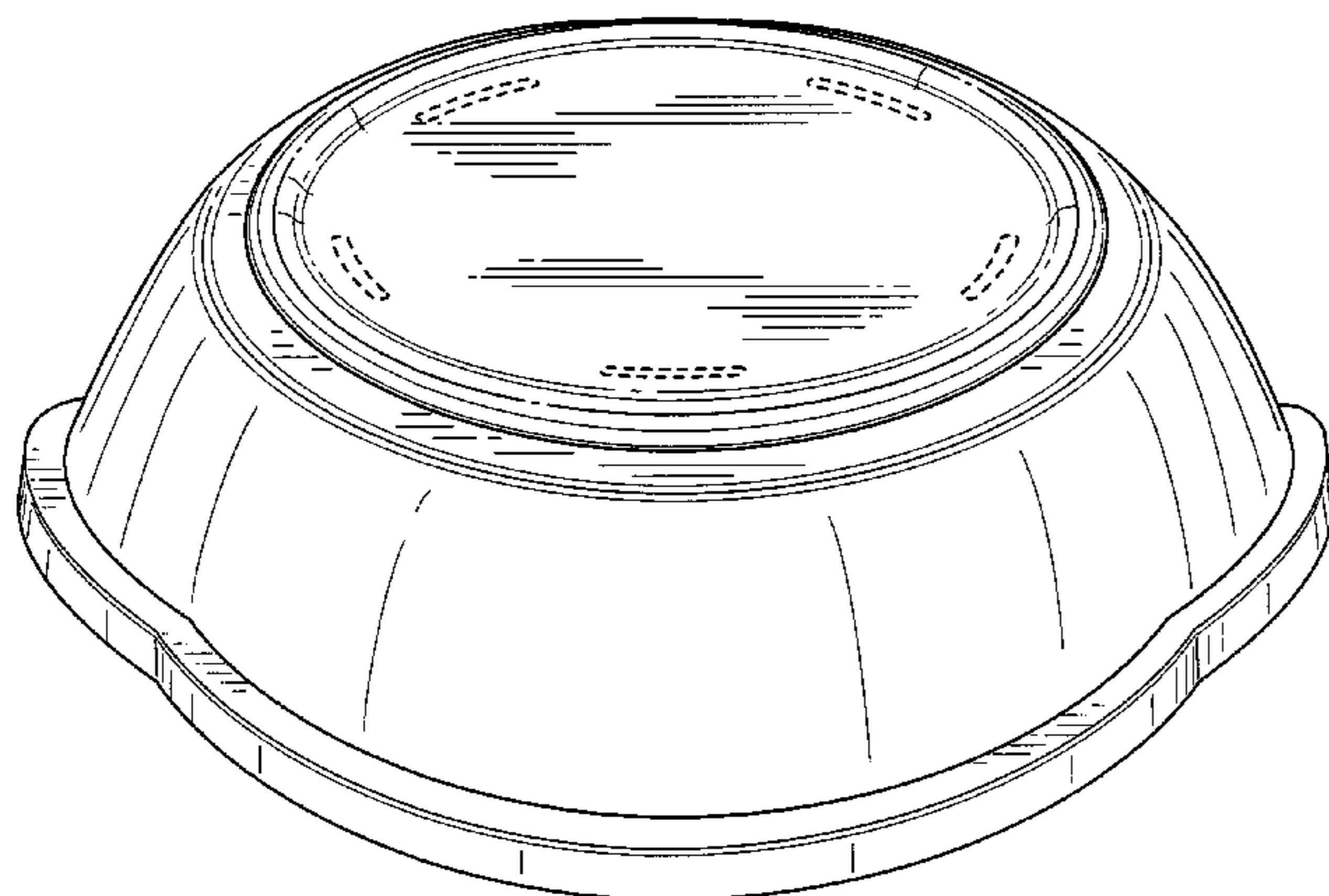
We claim the ornamental design for a cover for a pie pan, as shown and described.

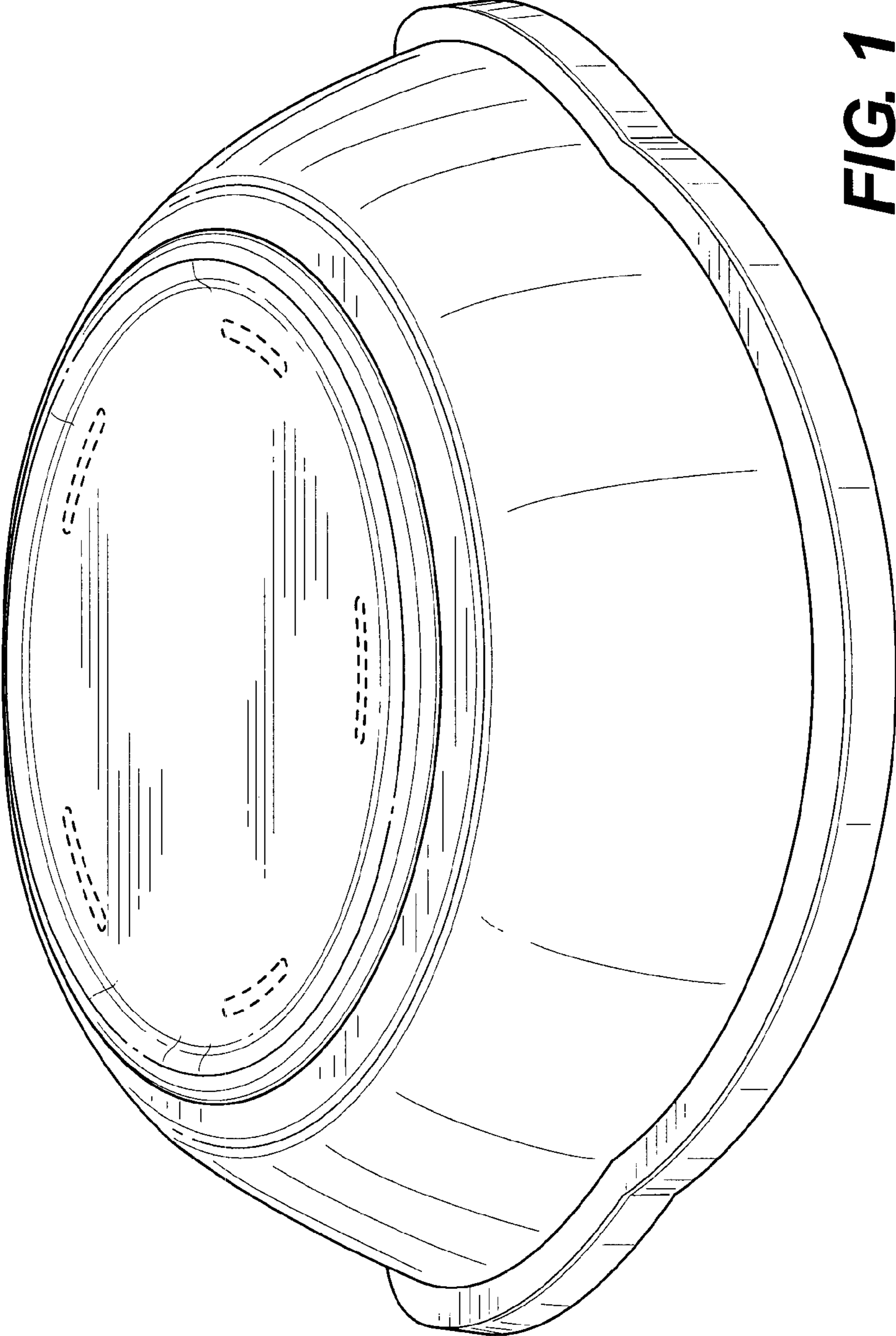
**DESCRIPTION**

FIG. 1 is a top front side perspective view of the cover for a pie pan;  
FIG. 2 is a side view of the design shown in FIG. 1;  
FIG. 3 is a front side view of the design shown in FIG. 1;  
FIG. 4 is a bottom view of the design shown in FIG. 1; and,  
FIG. 5 is a top view of the design shown in FIG. 1.

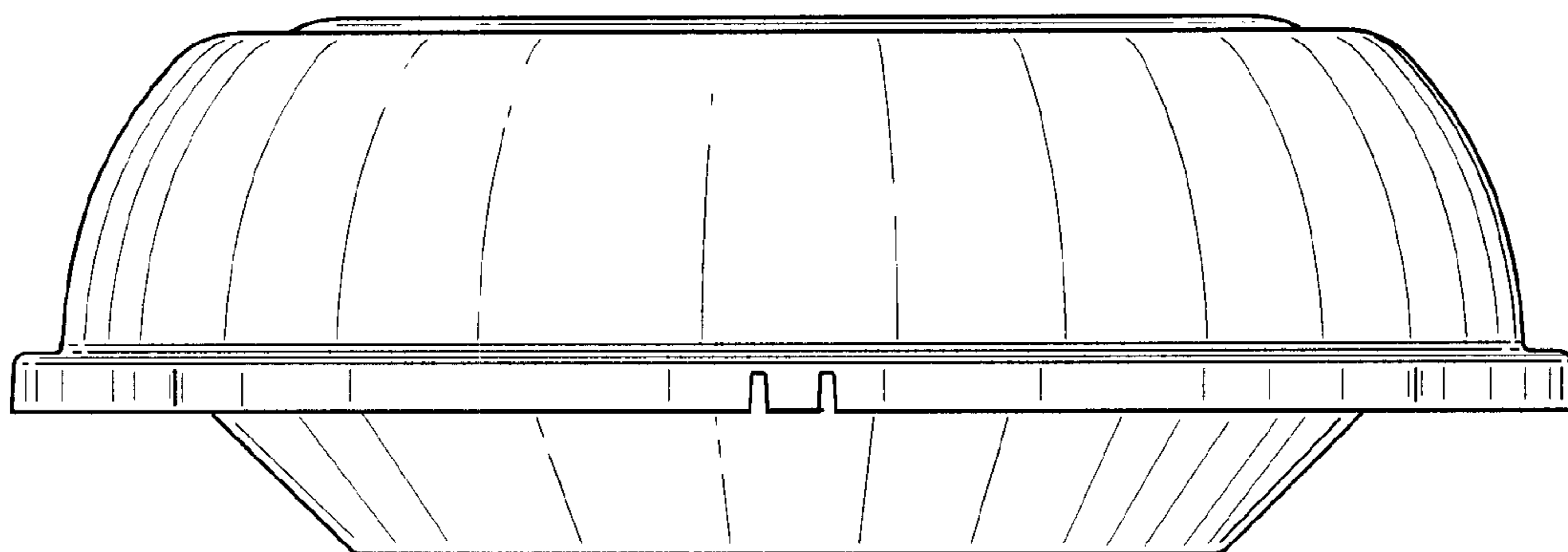
The subject matter shown in dashed lines, and any surfaces of the design not shown, including interior surfaces, form no part of the claimed invention.

**1 Claim, 4 Drawing Sheets**

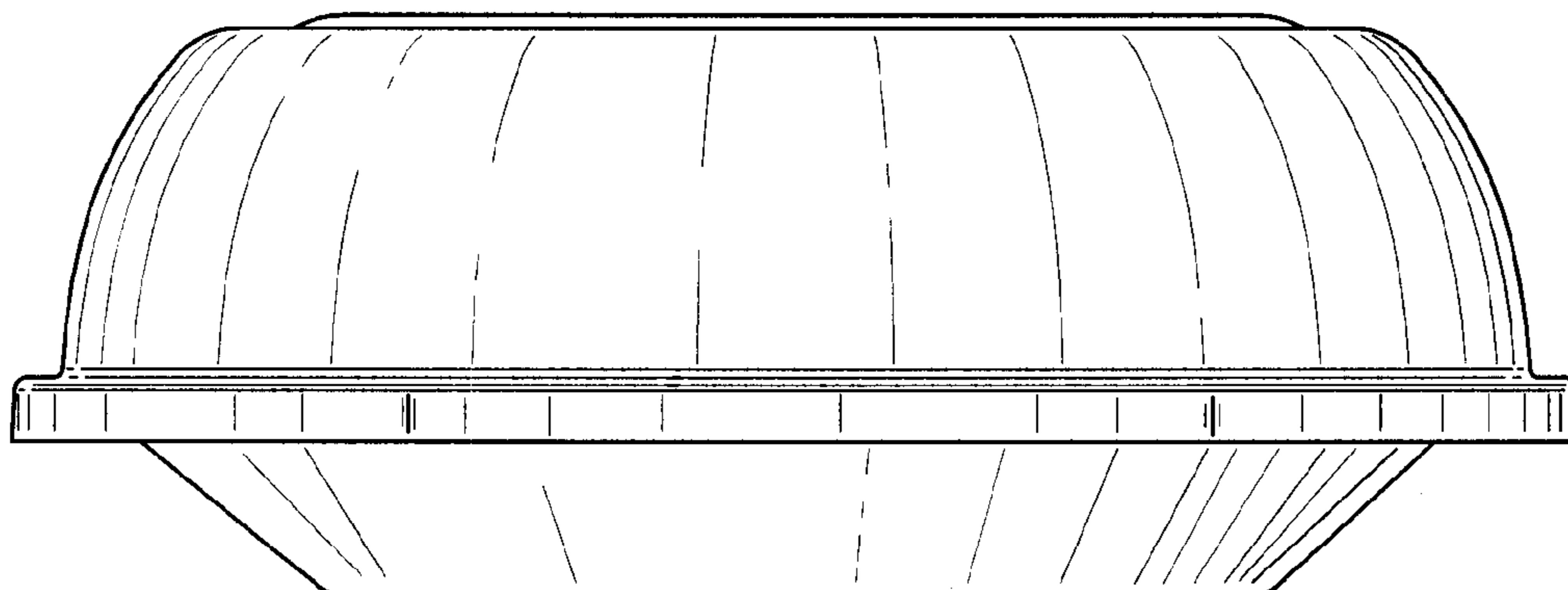




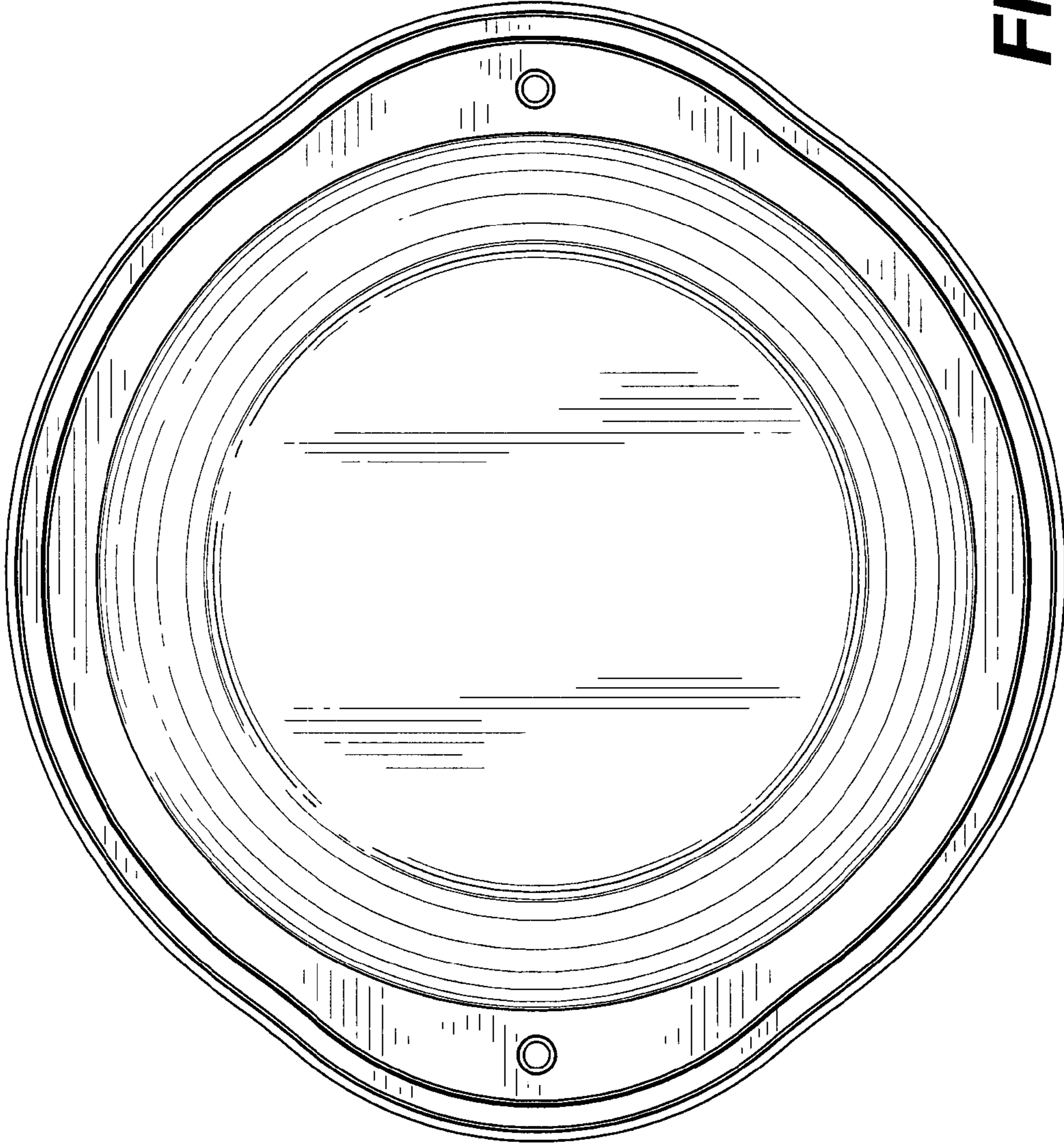
**FIG. 1**



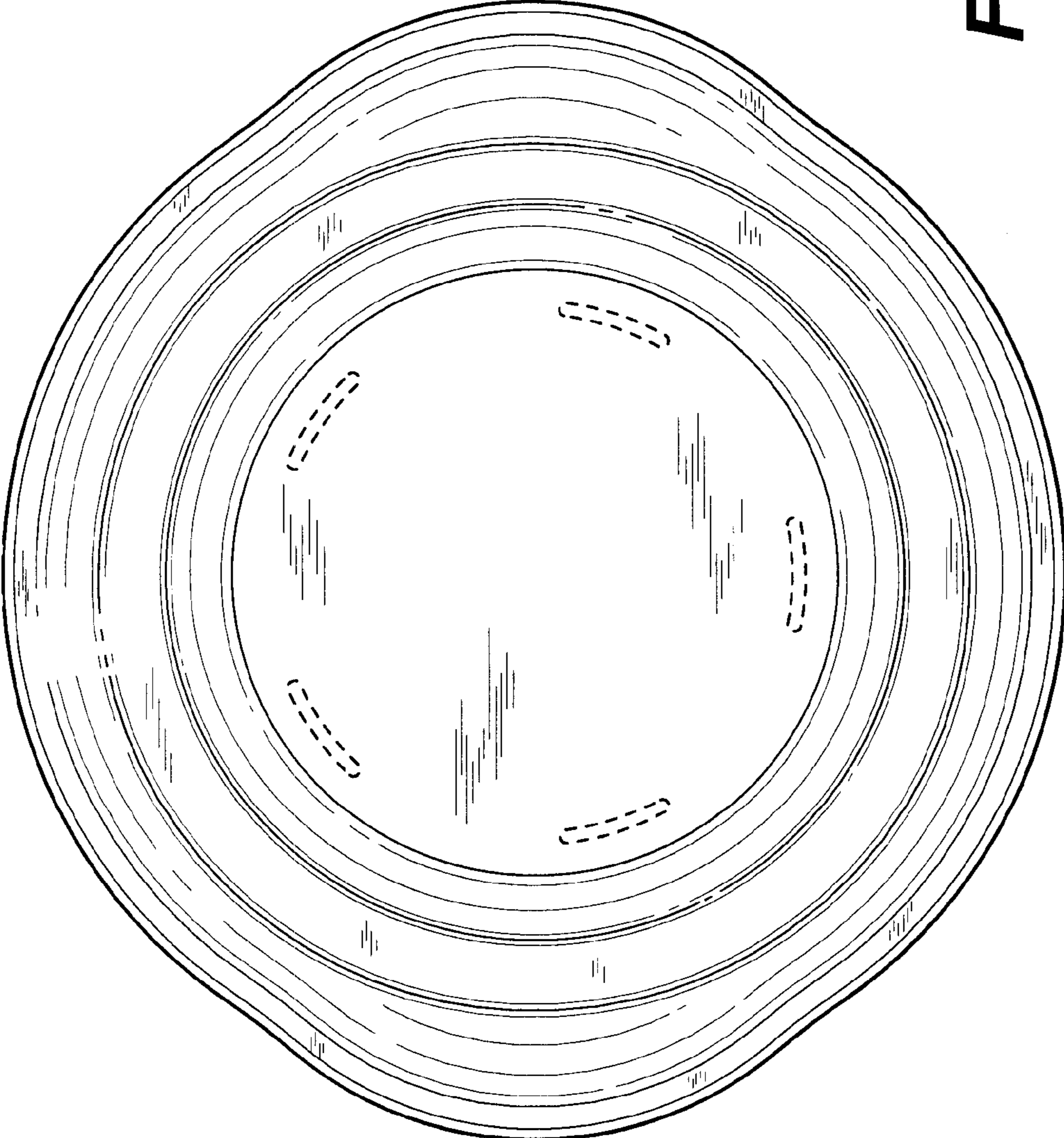
**FIG. 2**



**FIG. 3**



**FIG. 4**



**FIG. 5**