



US00D653905S

(12) **United States Design Patent**
Bodum

(10) **Patent No.:** **US D653,905 S**

(45) **Date of Patent:** **** Feb. 14, 2012**

(54) **COFFEE GRINDER**

(75) Inventor: **Jorgen Bodum**, Meggen (CH)

(73) Assignee: **PI-Design AG**, Triengen (CH)

(**) Term: **14 Years**

(21) Appl. No.: **29/354,787**

(22) Filed: **Jan. 28, 2010**

(30) **Foreign Application Priority Data**

Aug. 12, 2009 (WO) DM/072 231

(51) **LOC (9) Cl.** **31-00**

(52) **U.S. Cl.** **D7/373; D7/376; D7/412**

(58) **Field of Classification Search** D7/305-311,
D7/317-318, 368, 372-386, 391, 412-415,
D7/607, 665; D15/82; 99/326, 348, 508-511;
241/30-37.5, 101.01-101.2, 166-169.1,
241/282.2, 285.1-285.3, 291, 292.1; 366/64-67,
366/98, 142, 197-211, 241-254, 279-292,
366/341-347; 416/75-76, 70 R, 163

See application file for complete search history.

(56) **References Cited**

U.S. PATENT DOCUMENTS

D353,075 S * 12/1994 Littmann et al. D7/373
D361,919 S * 9/1995 Fouquet D7/373

D363,411 S * 10/1995 Mock et al. D7/372
D389,010 S * 1/1998 Joergensen D7/373
D420,248 S * 2/2000 Uemura et al. D7/373
D437,523 S * 2/2001 Glucksman et al. D7/373
6,572,036 B2 6/2003 Glucksman et al.
D500,427 S * 1/2005 Fung D7/373
2004/0025703 A1 2/2004 Ming
2008/0098901 A1 5/2008 Lee

* cited by examiner

Primary Examiner — Ricky Pham

(74) *Attorney, Agent, or Firm* — Sughrue Mion, PLLC

(57) **CLAIM**

The ornamental design for a coffee grinder, as shown and described.

DESCRIPTION

FIG. 1 is a perspective view of a coffee grinder showing my new design;
FIG. 2 is a left side elevation view thereof
FIG. 3 is a right side elevation view thereof;
FIG. 4 is a front elevation view thereof;
FIG. 5 is a rear elevation view thereof;
FIG. 6 is a top view thereof;
FIG. 7 is a bottom view thereof;
FIG. 8 is an exploded perspective view thereof; and,
FIG. 9 is an exploded left side elevation view thereof.
The broken lines depict environmental subject matter only and form no part of the claimed design.

1 Claim, 9 Drawing Sheets

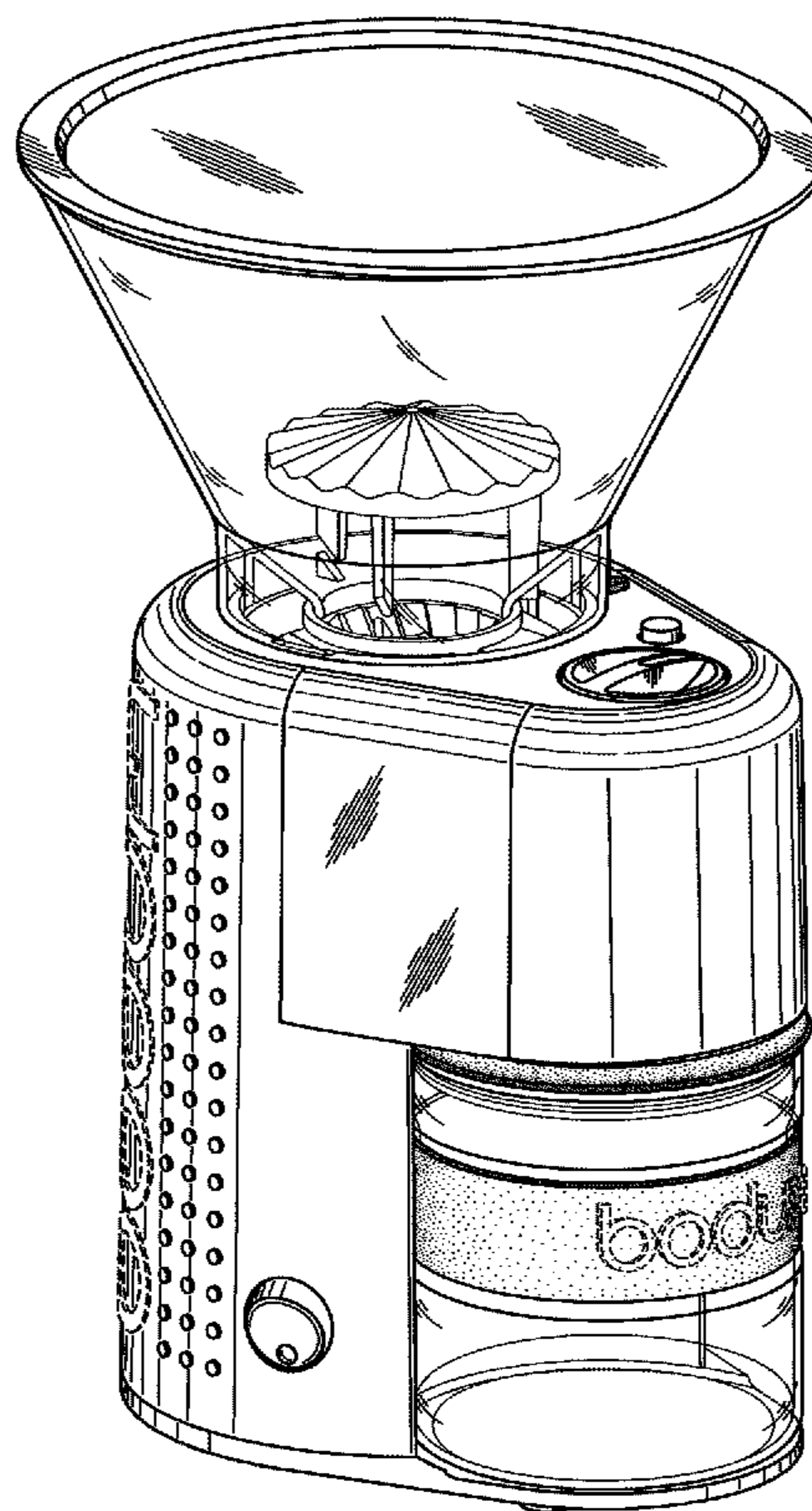


FIG. 1

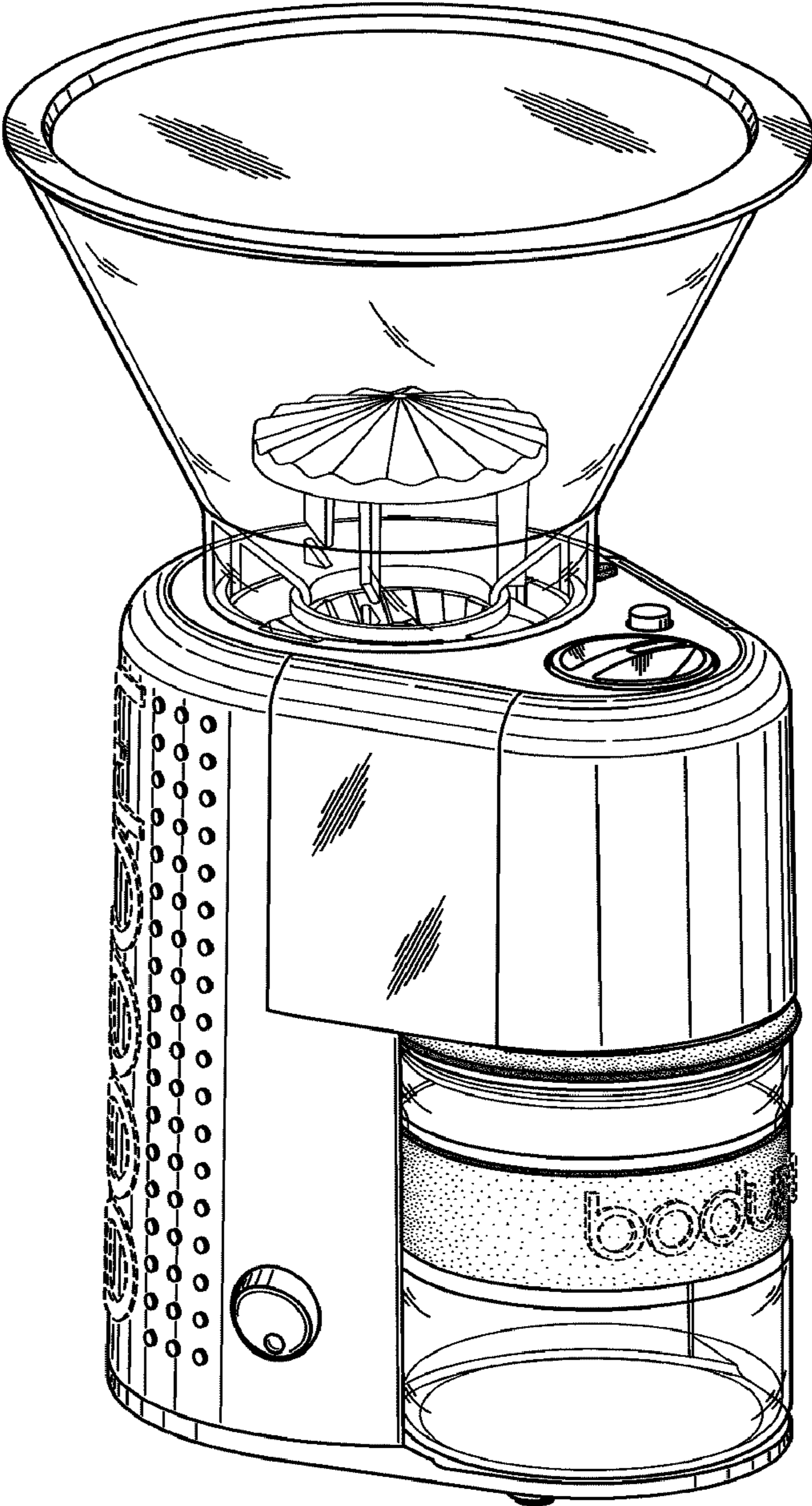


FIG. 2

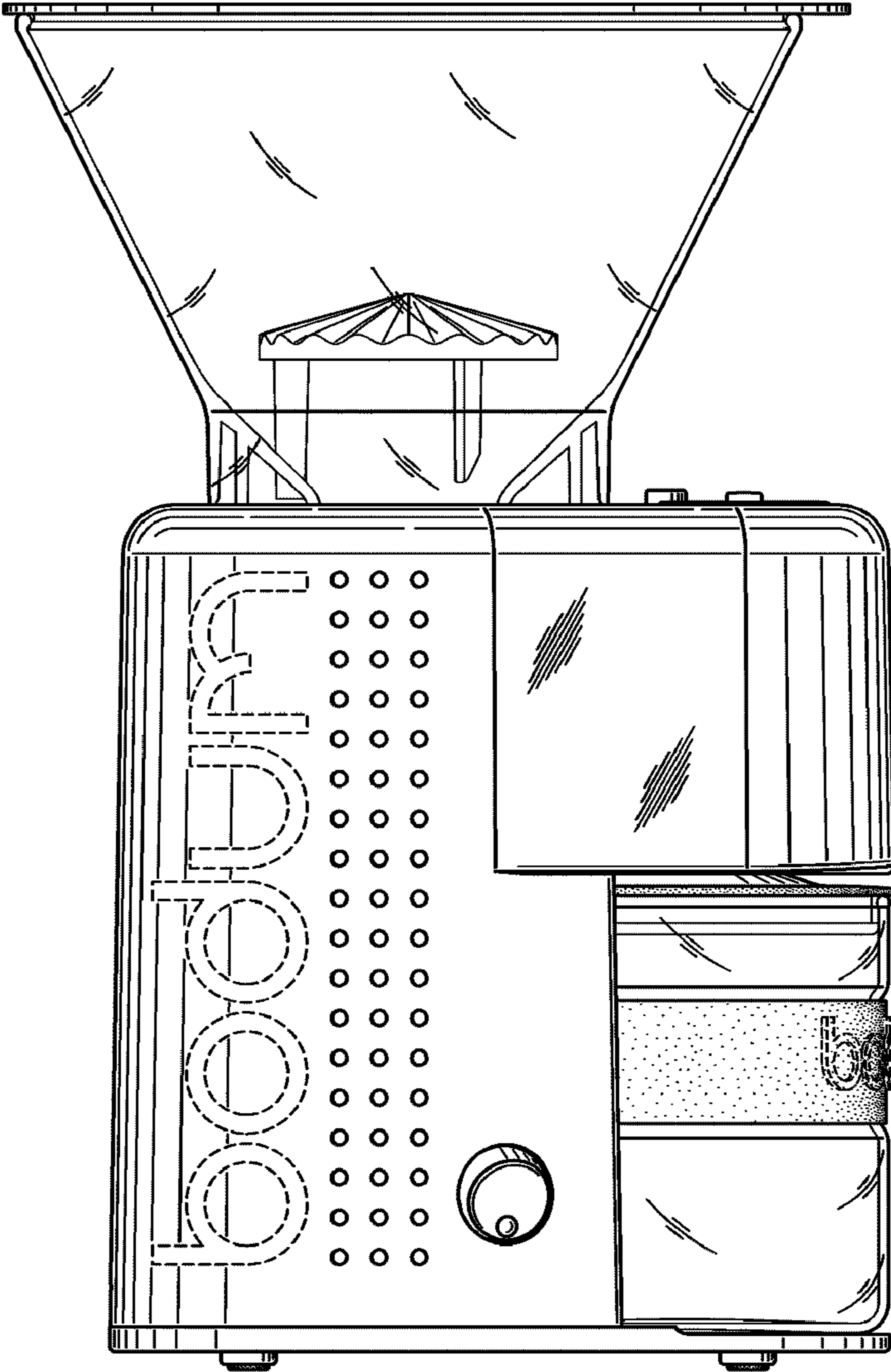


FIG. 3

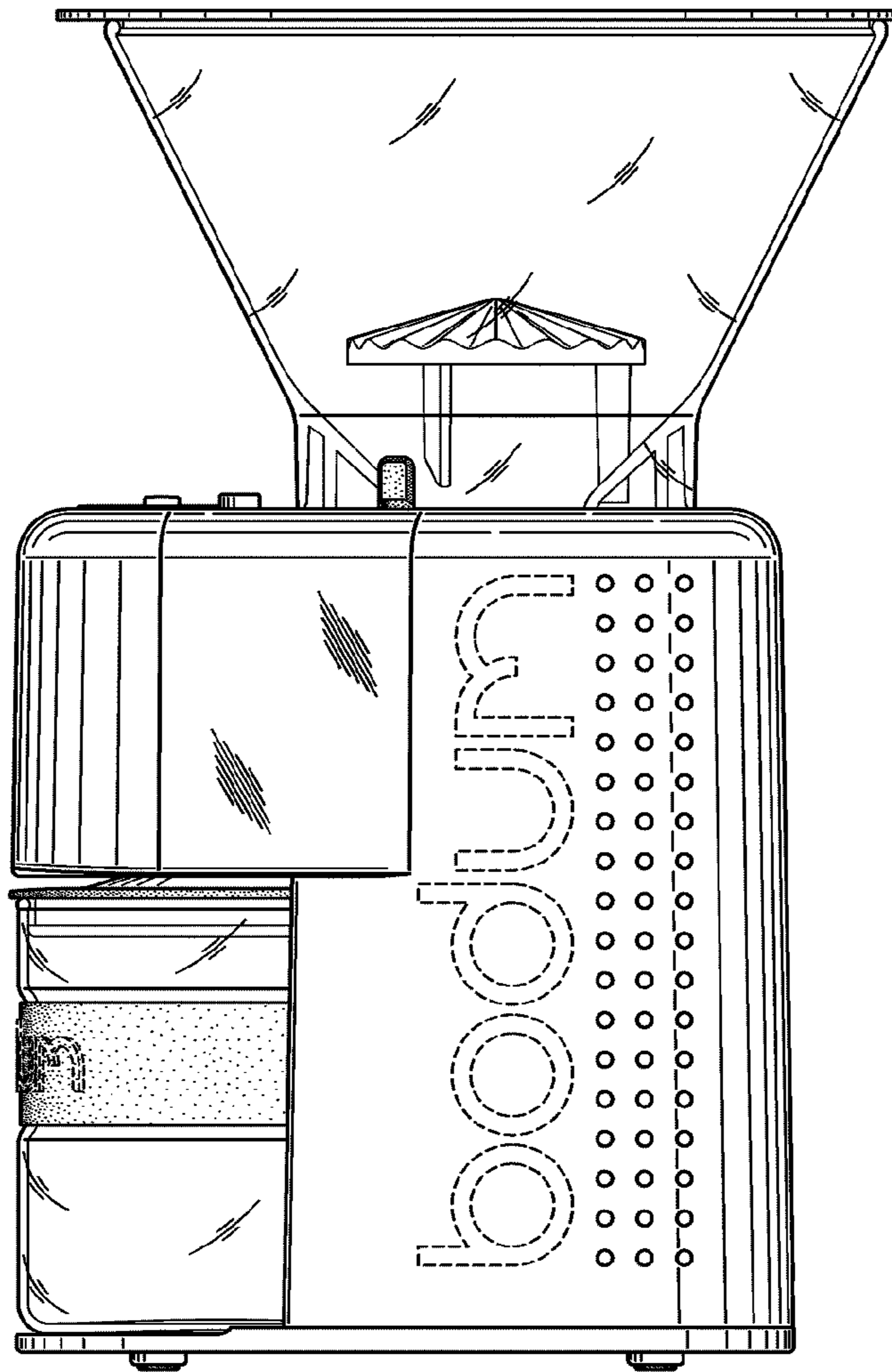


FIG. 4

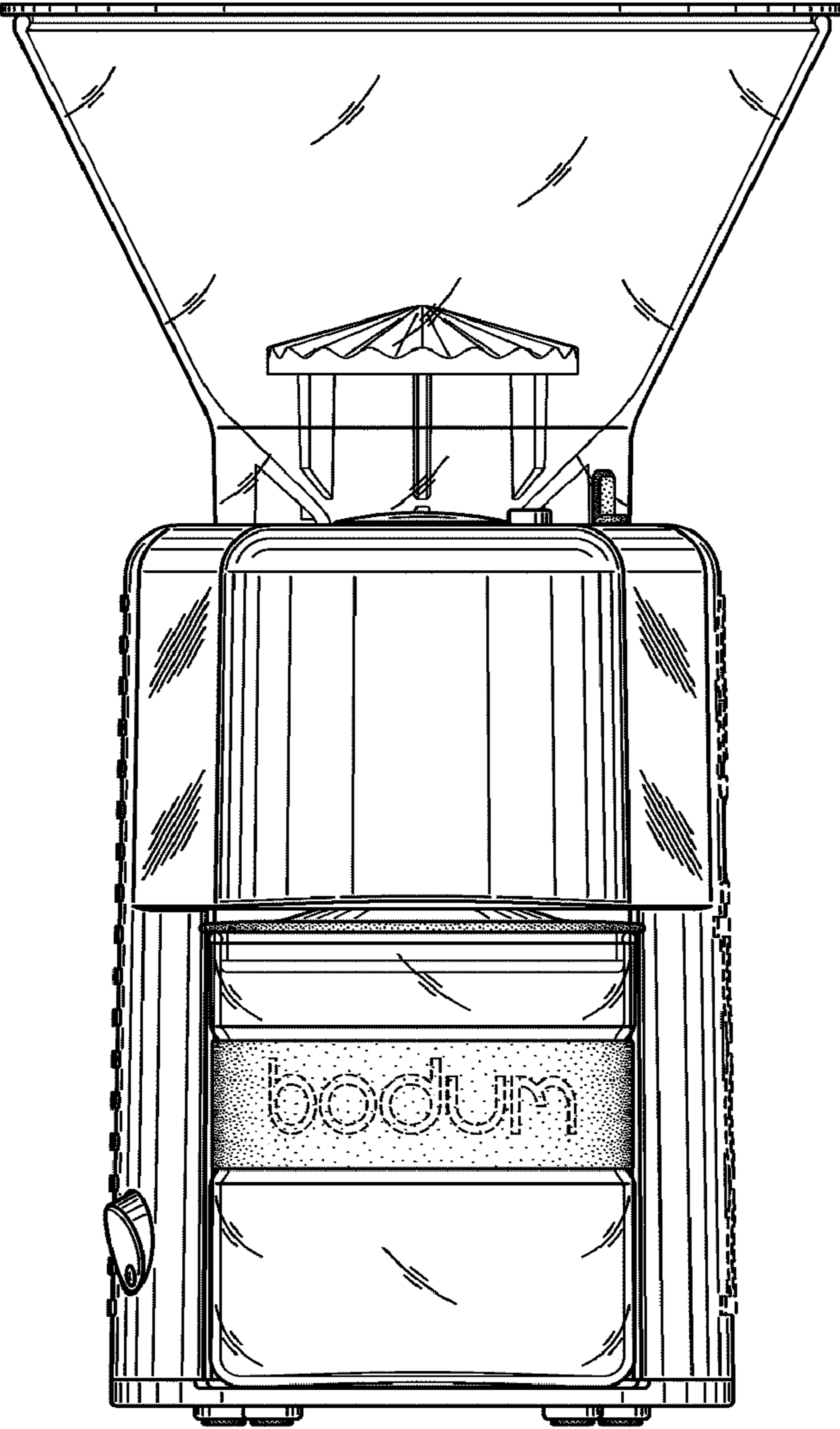


FIG. 5

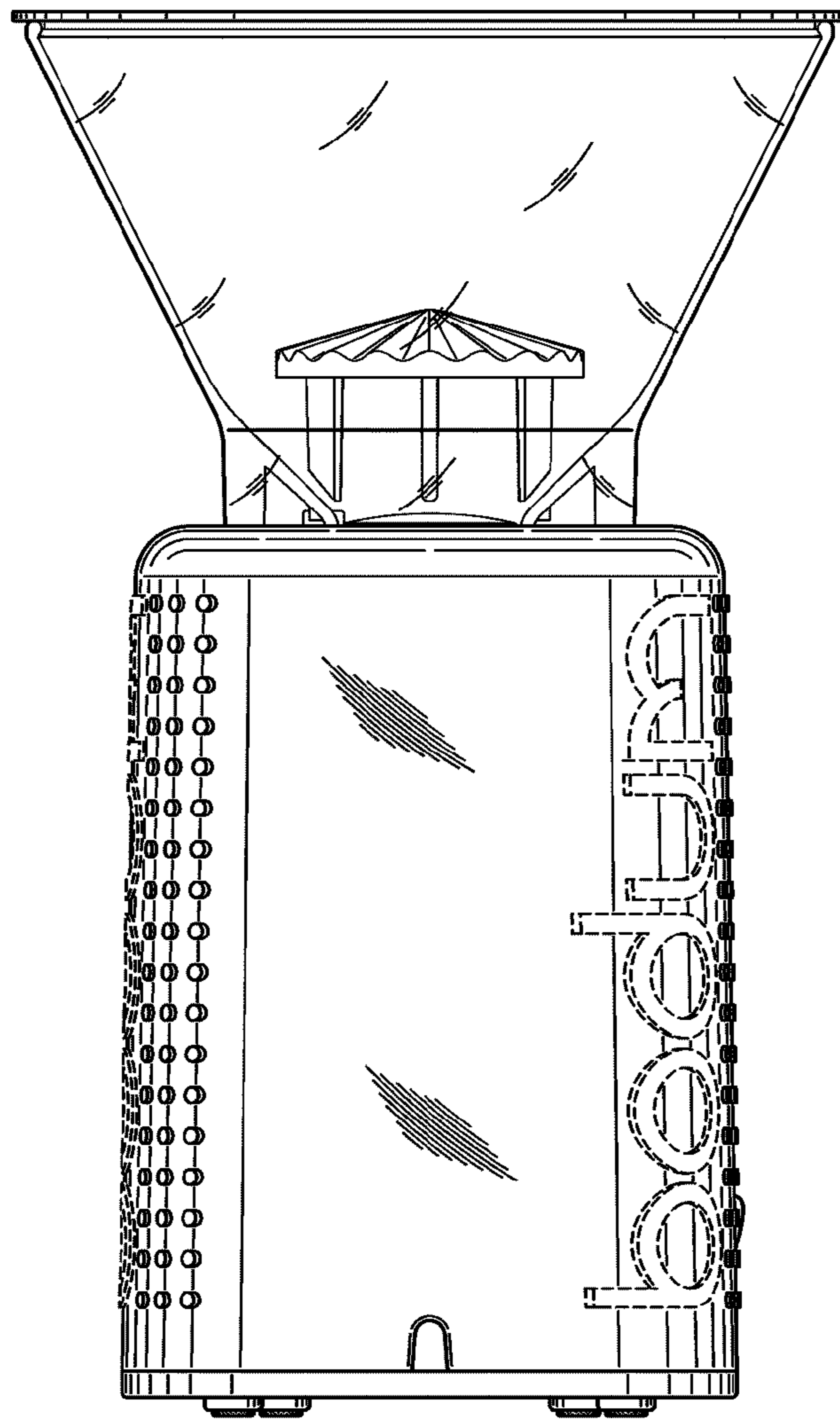


FIG. 6

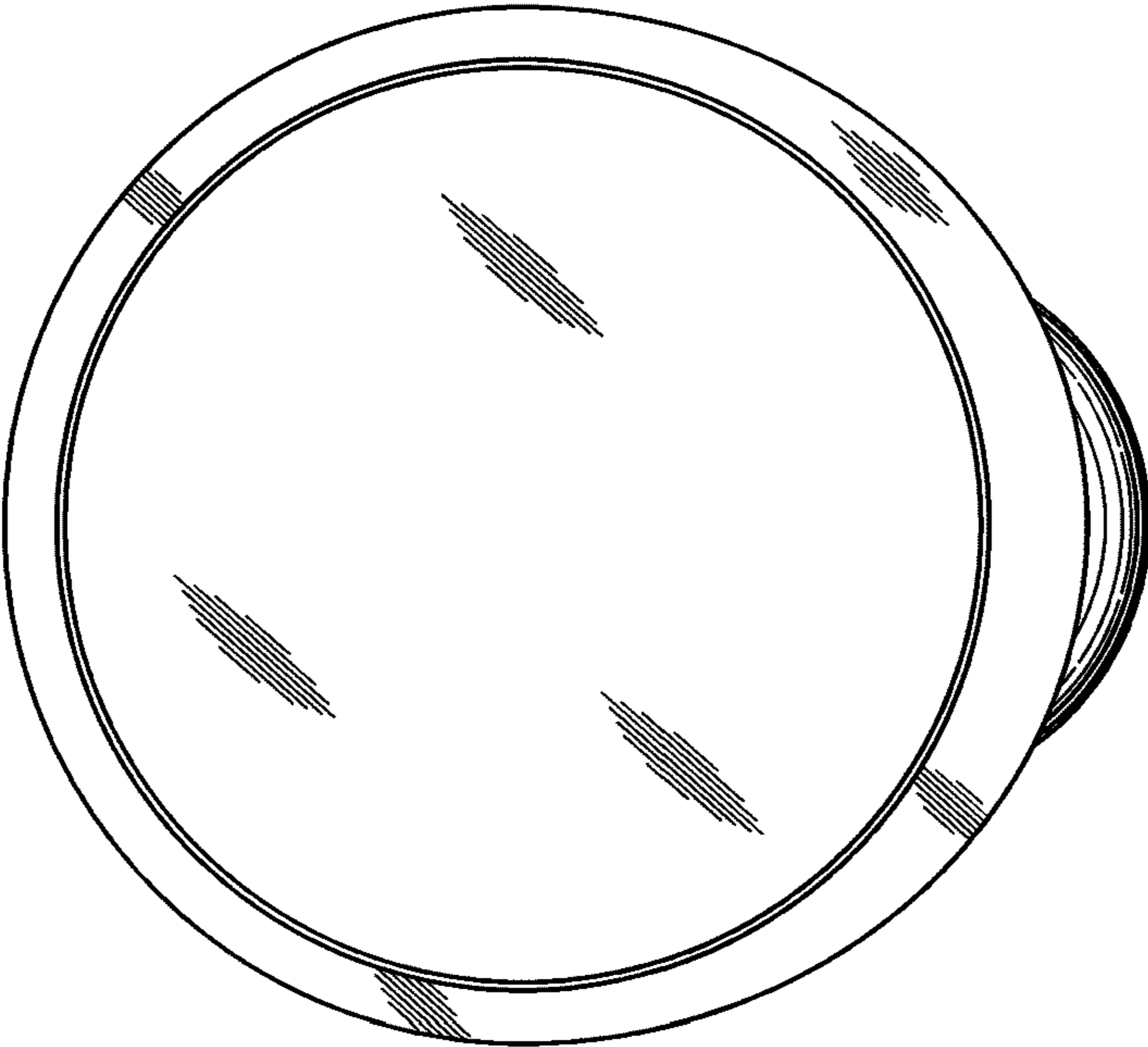


FIG. 7

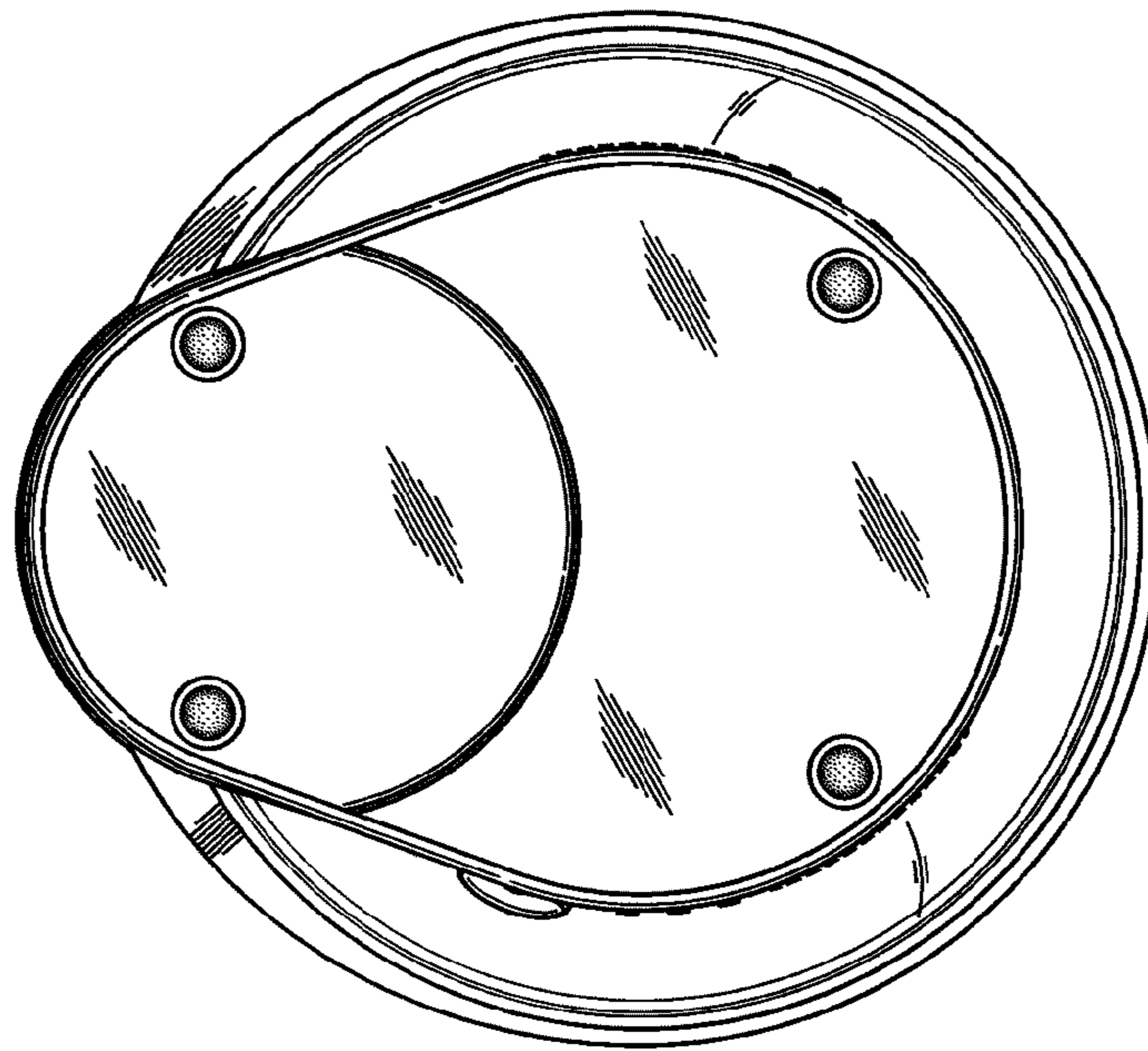


FIG. 8

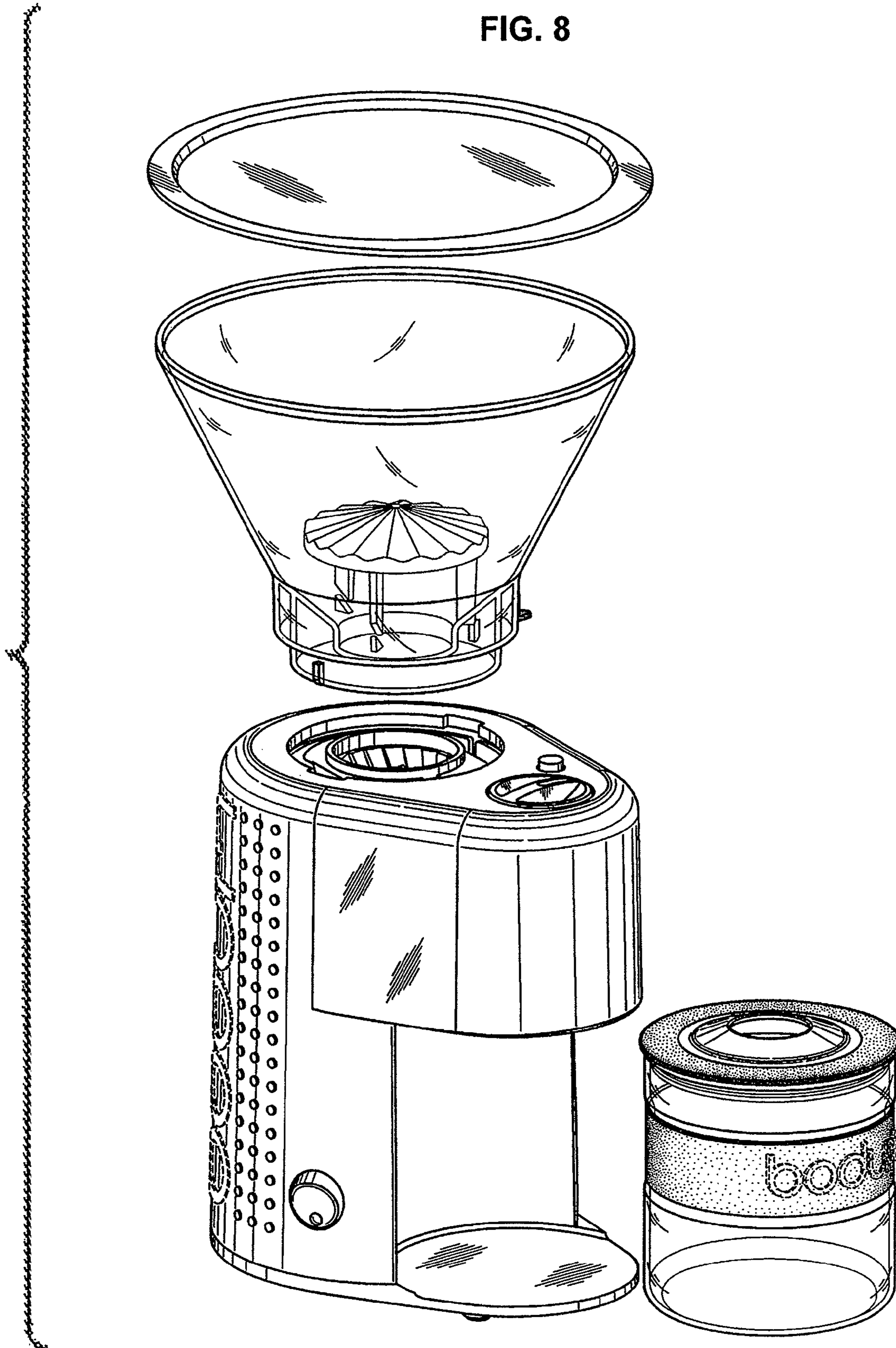


FIG. 9

