



US00D653903S

(12) **United States Design Patent**  
**Cloutier et al.**

(10) **Patent No.:** **US D653,903 S**  
(45) **Date of Patent:** **\*\* Feb. 14, 2012**

(54) **PERFORATED STIR-FRY PAN WITH LID**

(75) Inventors: **Andre Dean Cloutier**, Blaine, WA (US);  
**Adriana Phillips**, Bellingham, WA  
(US); **Debra Lynne Sasken-Duff**,  
Blaine, WA (US)

(73) Assignee: **Magellan Group Ltd.**, Blaine, WA (US)

(\*\*) Term: **14 Years**

(21) Appl. No.: **29/396,687**

(22) Filed: **Jul. 5, 2011**

(51) **LOC (9) Cl.** ..... **07-02**

(52) **U.S. Cl.** ..... **D7/361; D7/354**

(58) **Field of Classification Search** ..... D7/323,  
D7/329-332, 337, 339, 346-347, 350.1-350.4,  
D7/354-363, 391, 393, 395, 402, 408-409,  
D7/505, 538, 542, 549, 587, 667; 99/324-325,  
99/331-332, 337-340, 396, 400-418, 425,  
99/444-446, 450; 119/161, 166; 126/9 R,  
126/25 A, 25 R, 41 R, 166, 275 R, 332, 380.1,  
126/390.1; 206/501-505, 507-508; 219/400,  
219/405, 435-442, 620-624, 725, 730-735;  
220/485, 491, 573.1-573.5, 759, 912; 426/438,  
426/441, 523

See application file for complete search history.

(56) **References Cited**

**U.S. PATENT DOCUMENTS**

201,959 A \* 4/1878 Stockwell et al. .... 220/485  
D96,141 S \* 7/1935 Smith ..... D7/542

2,534,407 A \* 12/1950 Bramberry, Jr. .... 126/390.1  
D249,924 S \* 10/1978 Fischer ..... D7/409  
D359,887 S \* 7/1995 Hasuike ..... D7/667  
D372,395 S \* 8/1996 Candianides ..... D7/361  
D374,149 S \* 10/1996 Candianides ..... D7/359  
D431,151 S \* 9/2000 Brunianyn ..... D7/359  
D434,269 S \* 11/2000 Jo ..... D7/360  
6,523,460 B1 \* 2/2003 Lange ..... 99/340  
D500,630 S \* 1/2005 Brasset ..... D7/360  
D639,604 S \* 6/2011 Degnan ..... D7/361  
D639,605 S \* 6/2011 Degnan ..... D7/361

\* cited by examiner

*Primary Examiner* — Ricky Pham

(74) *Attorney, Agent, or Firm* — Dwayne E. Rogge; Hughes  
Law Firm, PLLC

(57) **CLAIM**

The ornamental design for a perforated stir-fry pan with lid, as  
shown and described.

**DESCRIPTION**

FIG. 1 is an isometric view of a perforated stir-fry pan with lid  
showing our new design.

FIG. 2 is a front view thereof.

FIG. 3 is a top view thereof.

FIG. 4 is a rear view thereof.

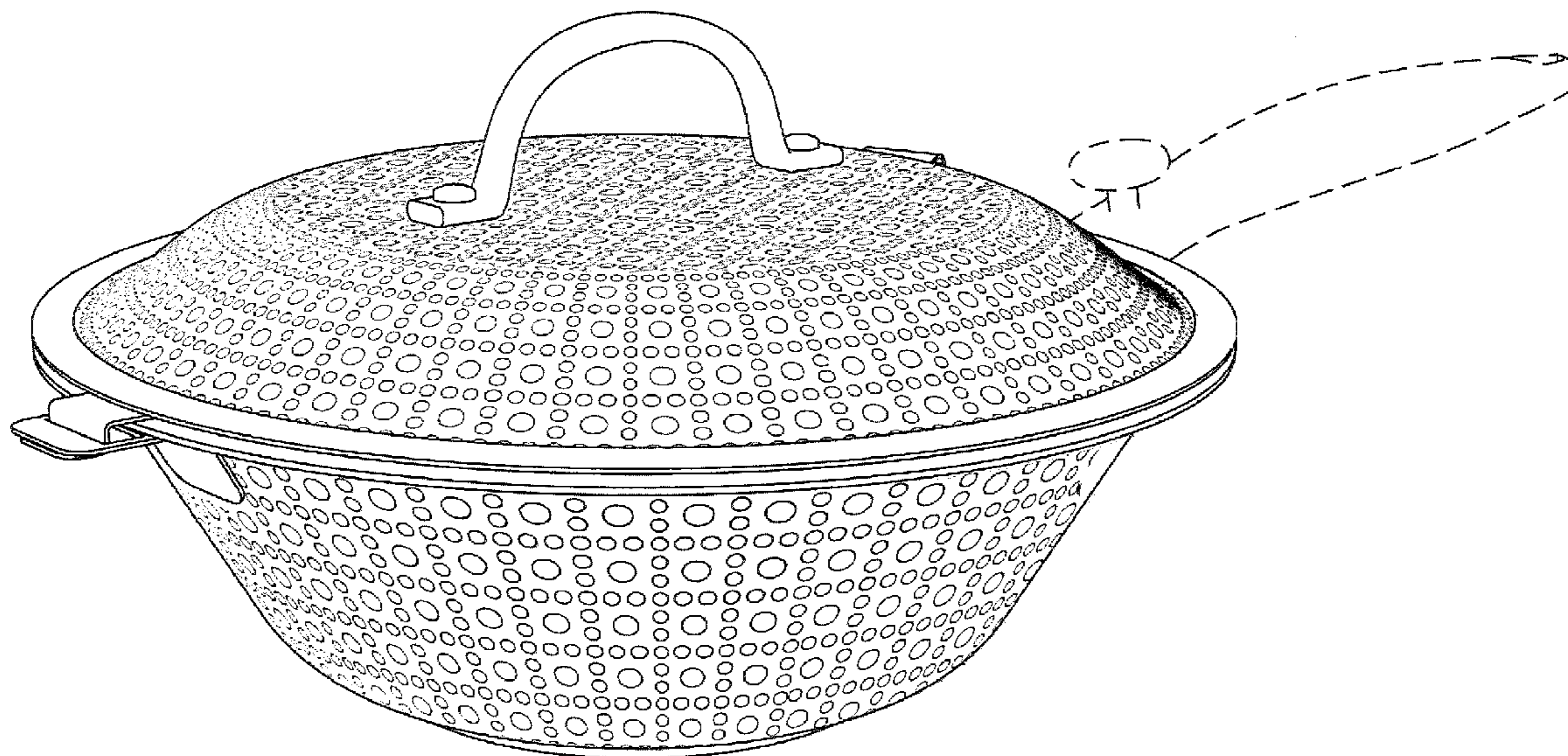
FIG. 5 is a left side view thereof.

FIG. 6 is a right side view thereof; and,

FIG. 7 is a front view thereof.

The broken lines shown in the drawings are for illustrative  
purposes only and form no part of the claimed design.

**1 Claim, 7 Drawing Sheets**



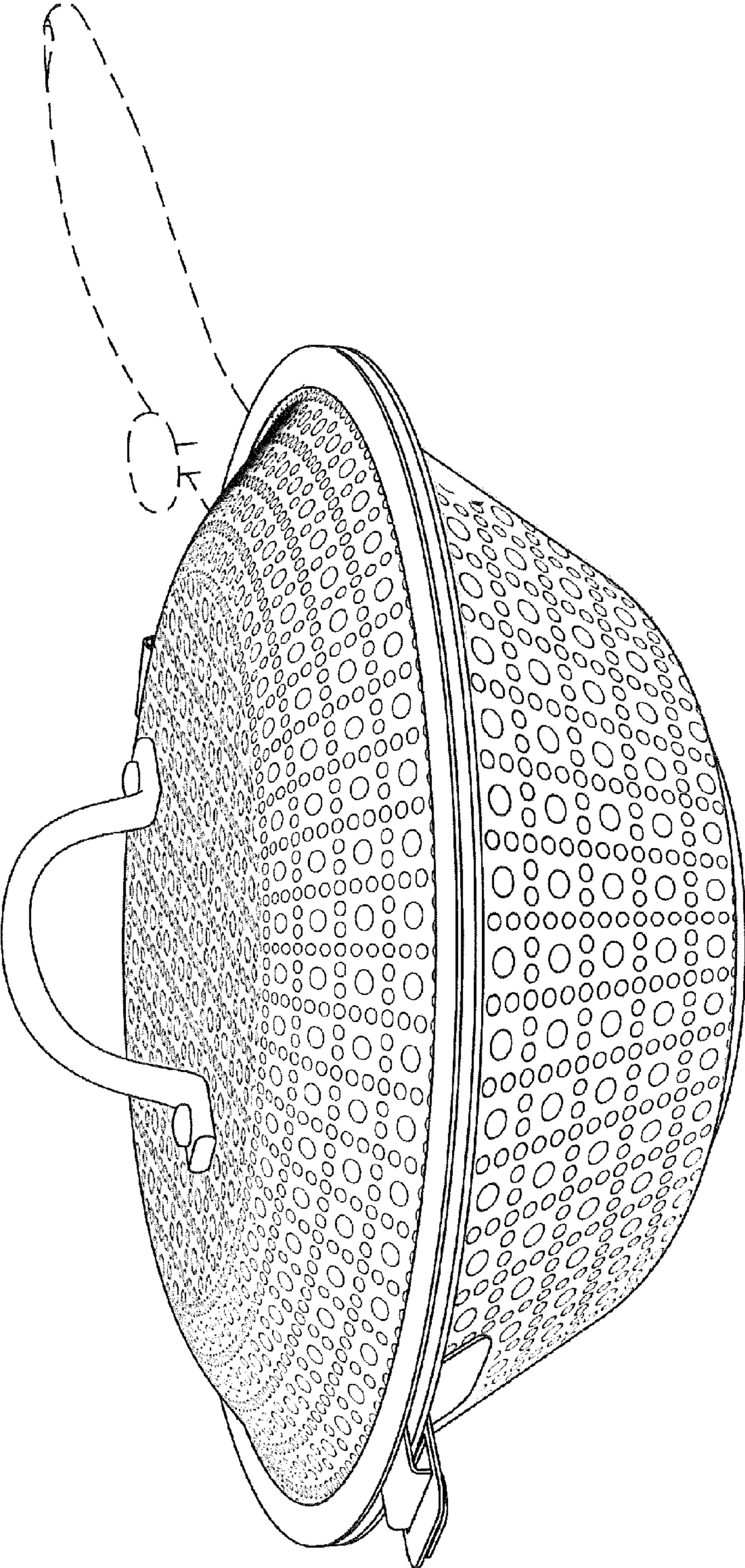


FIG. 1



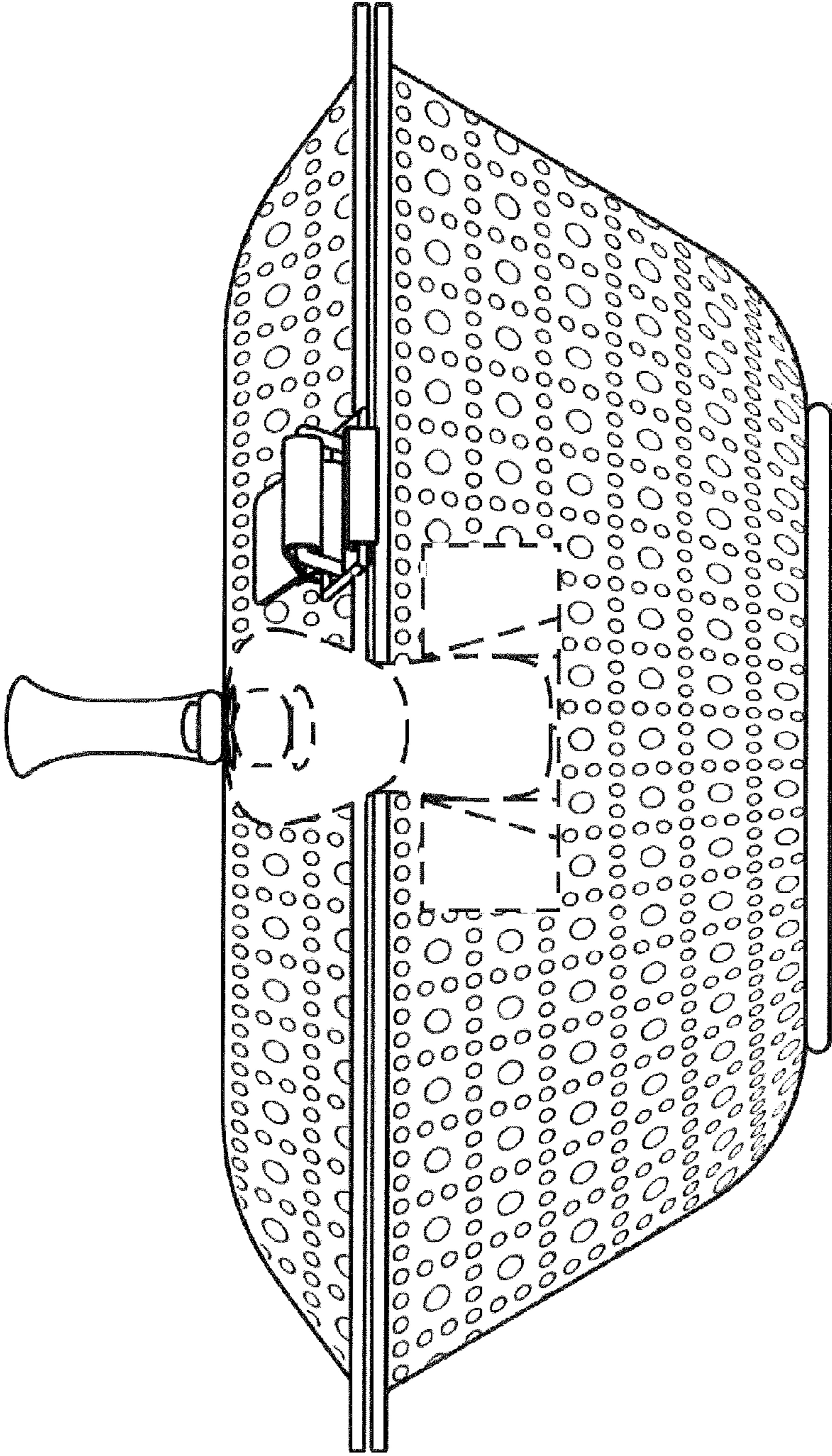


FIG. 2

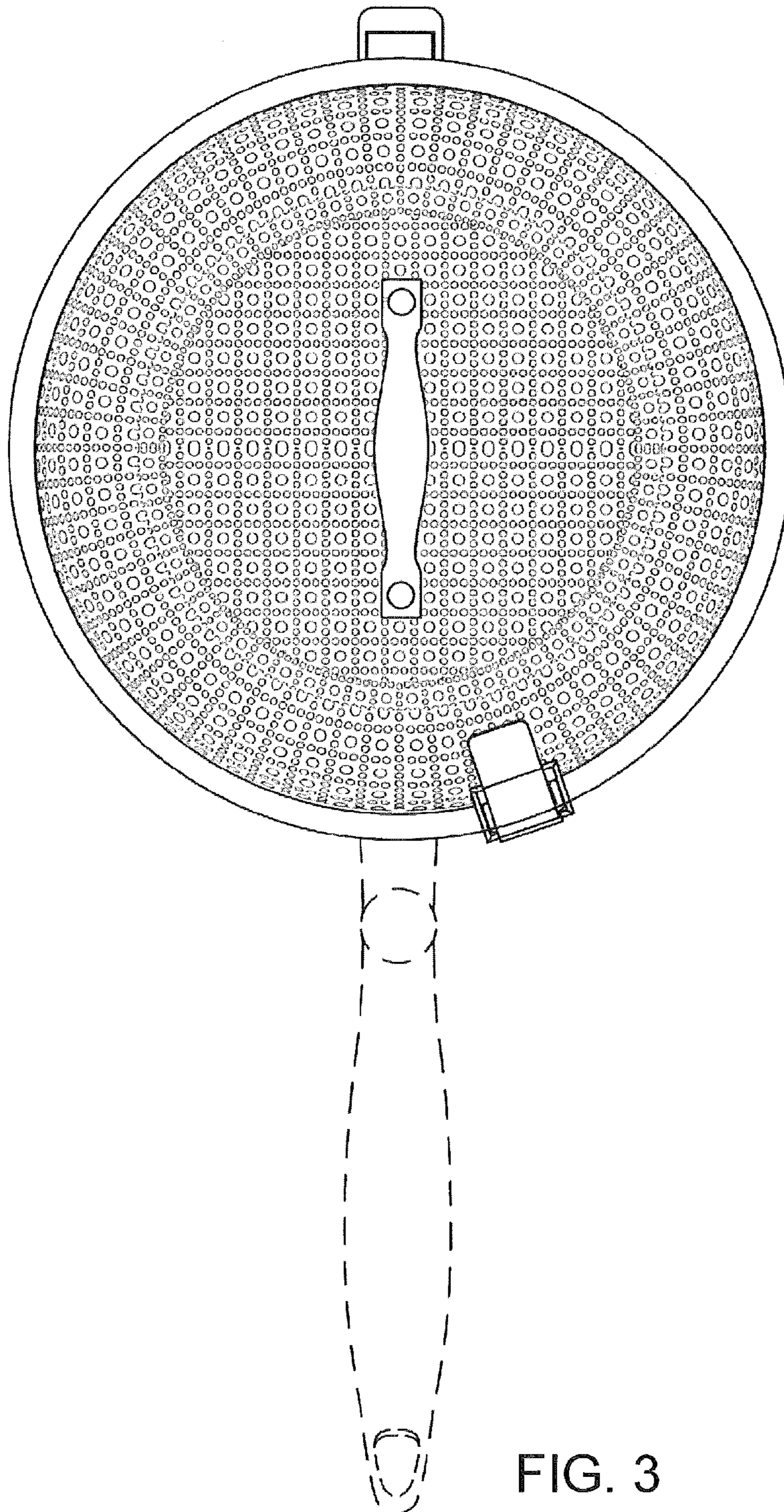


FIG. 3



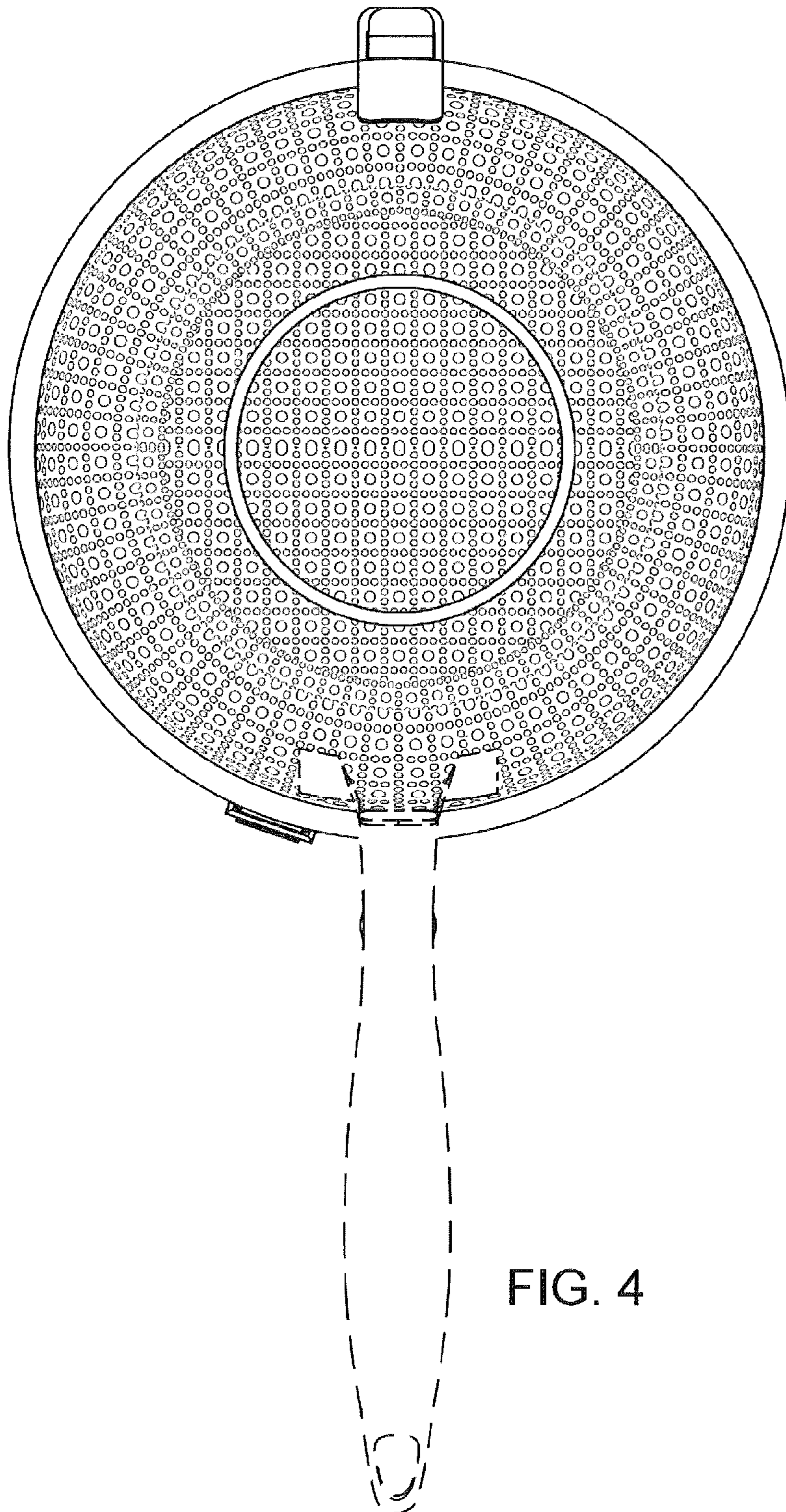


FIG. 4

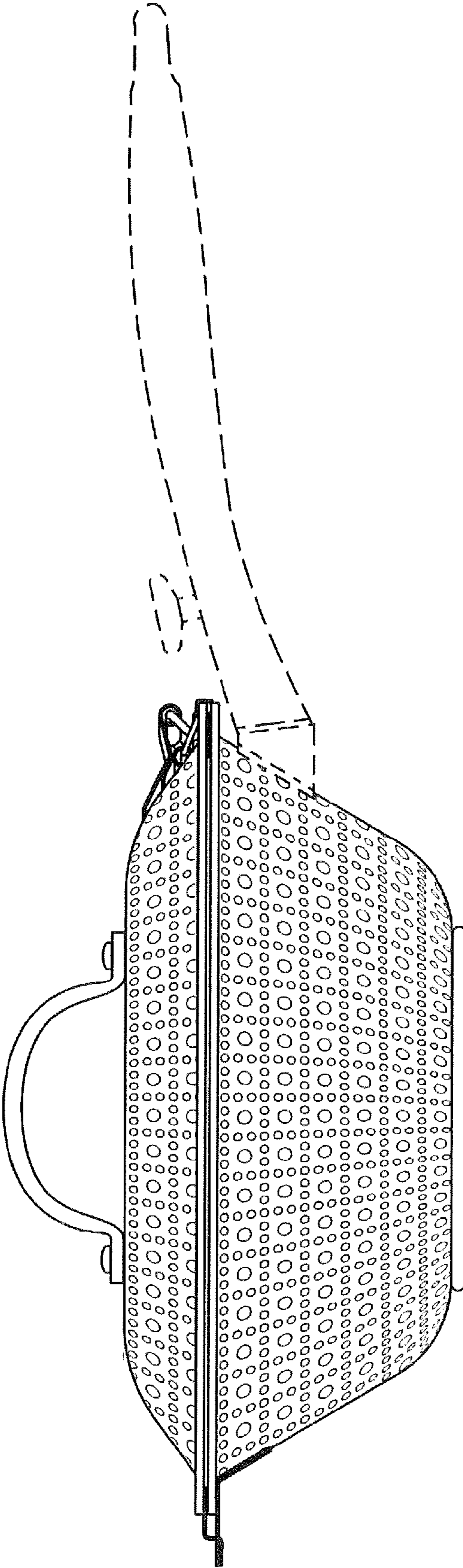


FIG. 5

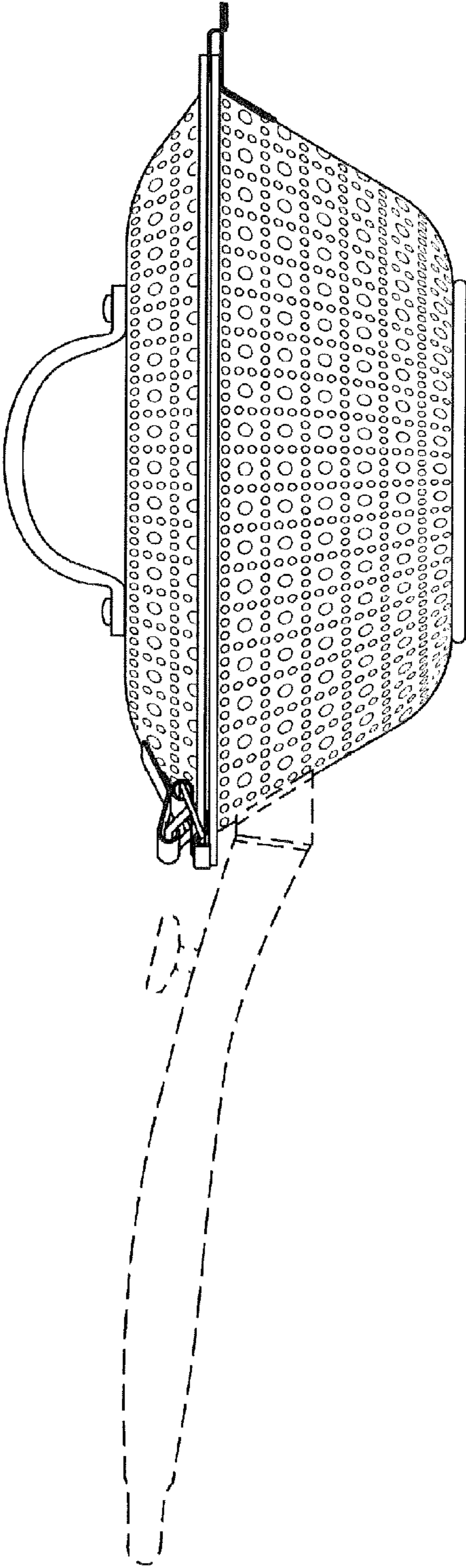


FIG. 6



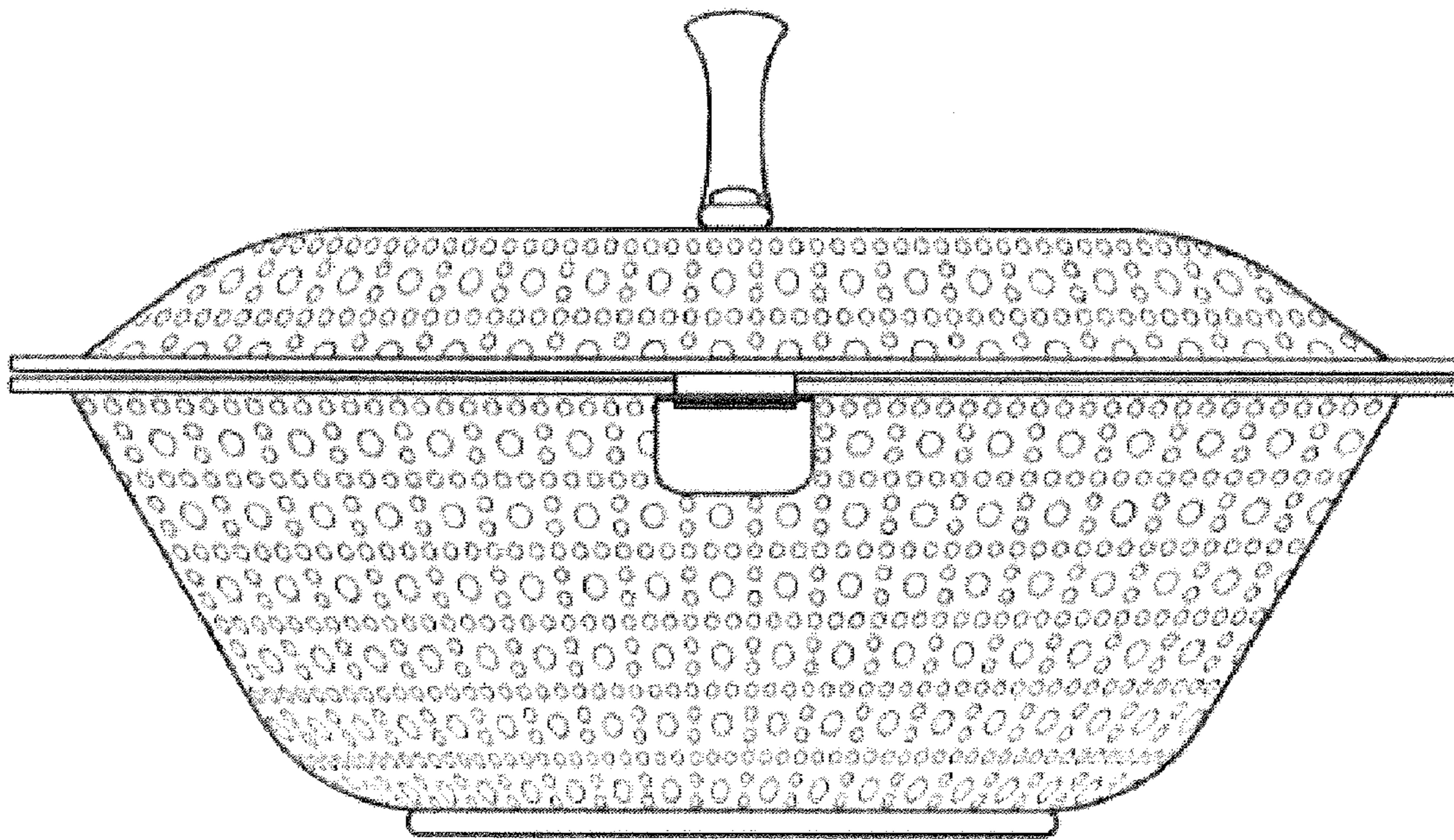


Fig. 7