



US00D653902S

(12) **United States Design Patent**  
**Chen**

(10) **Patent No.:** **US D653,902 S**

(45) **Date of Patent:** **\*\* Feb. 14, 2012**

(54) **MICROWAVE RICE COOKER**

(75) Inventor: **Rui Yuan Chen**, Orlando, FL (US)

(73) Assignee: **Dart Industries Inc.**, Orlando, FL (US)

(\*\*) Term: **14 Years**

(21) Appl. No.: **29/373,278**

(22) Filed: **Mar. 24, 2011**

(51) **LOC (9) Cl.** ..... **07-02**

(52) **U.S. Cl.** ..... **D7/361; D7/354**

(58) **Field of Classification Search** ..... D7/317,  
D7/319, 323, 329-331, 339, 346-347, 350.1-350.4,  
D7/353-367, 391, 393, 395, 402, 406, 412,  
D7/538, 542; 99/324-325, 331-332, 337-340,  
99/369, 400-418, 422, 425, 444, 483; 126/37 R,  
126/261, 374.1, 378.1; 206/501-505, 507-508;  
219/400, 405, 429-442, 620-624, 725, 730-735;  
220/203.05, 203.07, 203.09, 298, 315-316,  
220/573.1-573.5, 912; 426/438, 441

See application file for complete search history.

(56) **References Cited**

**U.S. PATENT DOCUMENTS**

D252,604 S *	8/1979	Harris	.....	D7/317
D283,193 S *	4/1986	Daenen	.....	D7/317
D313,531 S *	1/1991	Barrault	.....	D7/360
D395,784 S *	7/1998	Michaeli	.....	D7/319
D446,081 S *	8/2001	Schulein	.....	D7/543
D454,025 S *	3/2002	Kopczewski et al.	.....	D7/319
D458,507 S *	6/2002	Meelen	.....	D7/354
D480,593 S *	10/2003	Nybakke	.....	D7/319
D498,389 S *	11/2004	Tollman	.....	D7/538
D525,478 S *	7/2006	Averty	.....	D7/354
D532,248 S *	11/2006	Allende Fritsch	.....	D7/354
D533,393 S *	12/2006	Sidet et al.	.....	D7/354

D552,921 S *	10/2007	Garman et al.	.....	D7/354
D555,427 S *	11/2007	Picozza et al.	.....	D7/412
D557,552 S *	12/2007	Matras	.....	D7/354
D592,008 S *	5/2009	Reiner	.....	D7/354
D594,687 S *	6/2009	Bodum	.....	D7/300
D600,066 S *	9/2009	Seymour	.....	D7/354
D600,971 S *	9/2009	Garpelin	.....	D7/354
D611,757 S *	3/2010	Reiner	.....	D7/354
D611,758 S *	3/2010	Seymour	.....	D7/354
D625,947 S *	10/2010	Olson et al.	.....	D7/319
D636,626 S *	4/2011	Bandixen et al.	.....	D7/318

**OTHER PUBLICATIONS**

Tupperware® Microwave Rice Cooker; ©2009; Copy of product insert and three color photographs.

Pampered Chef® Microwave Rice Cooker; ©2007; copy of box and two color Photographs.

Konstar® Microwave Rice Cooker; 2009; two color photographs.

\* cited by examiner

*Primary Examiner* — Ricky Pham

(74) *Attorney, Agent, or Firm* — John A. Doninger

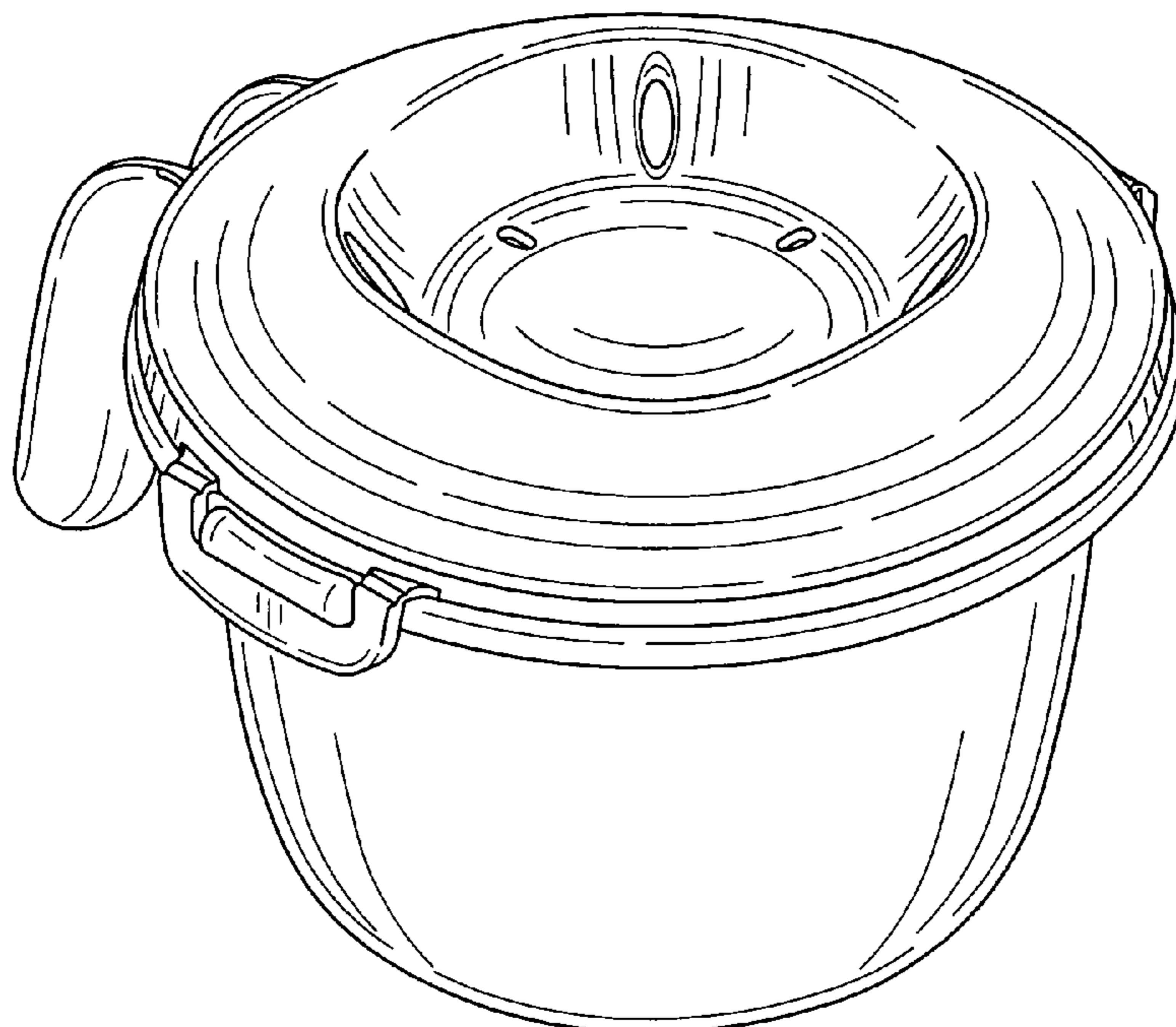
(57) **CLAIM**

The ornamental design for a microwave rice cooker, as shown and described.

**DESCRIPTION**

FIG. 1 is a top side and front perspective view of a microwave rice cooker showing my new design;  
FIG. 2 is a front elevation view, the rear elevation being a mirror image thereof;  
FIG. 3 is a right side elevation view thereof;  
FIG. 4 is a left side elevation view thereof;  
FIG. 5 is a top plan view thereof; and,  
FIG. 6 is a bottom plan view thereof.

**1 Claim, 3 Drawing Sheets**



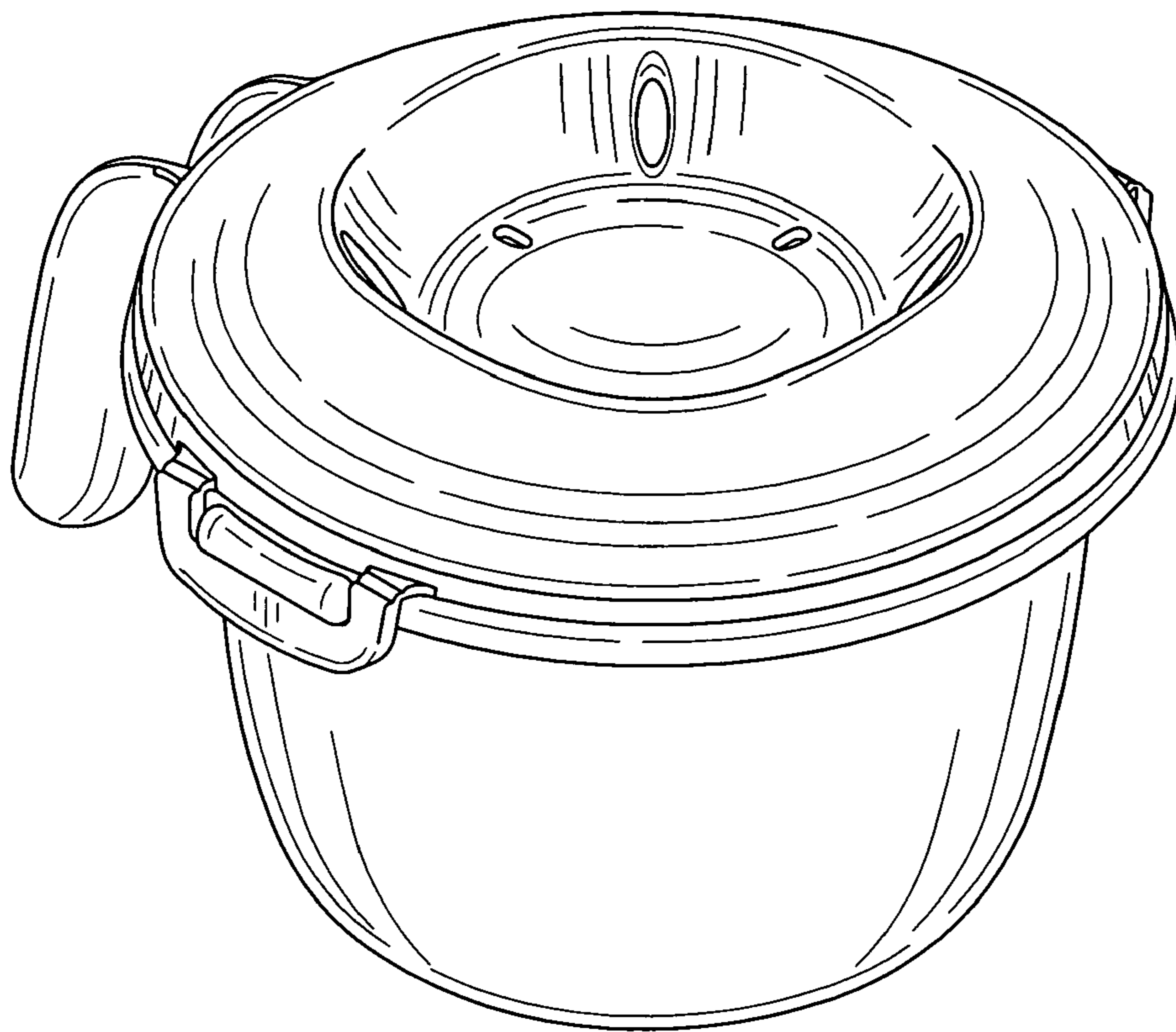


FIG. 1

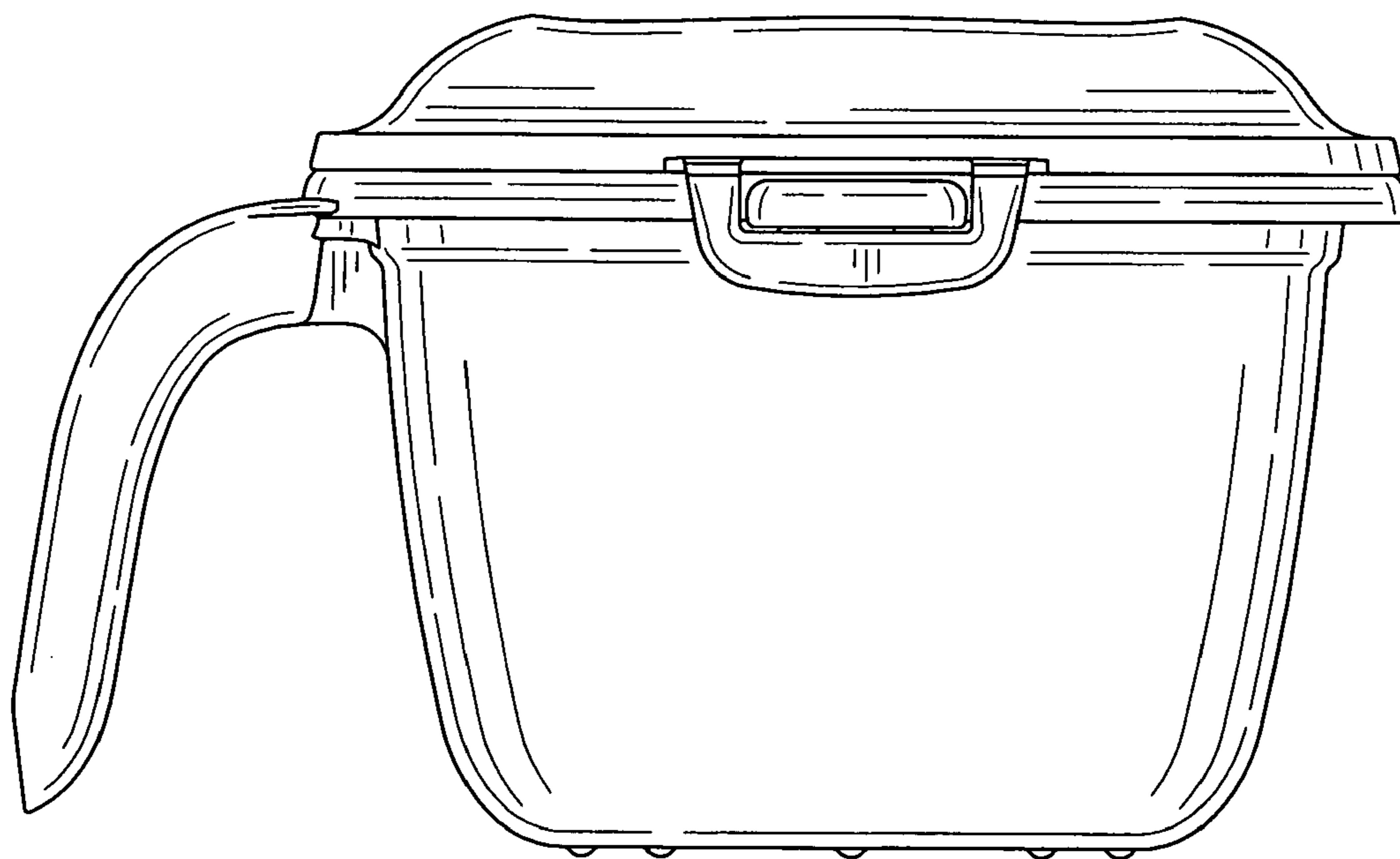


FIG. 2

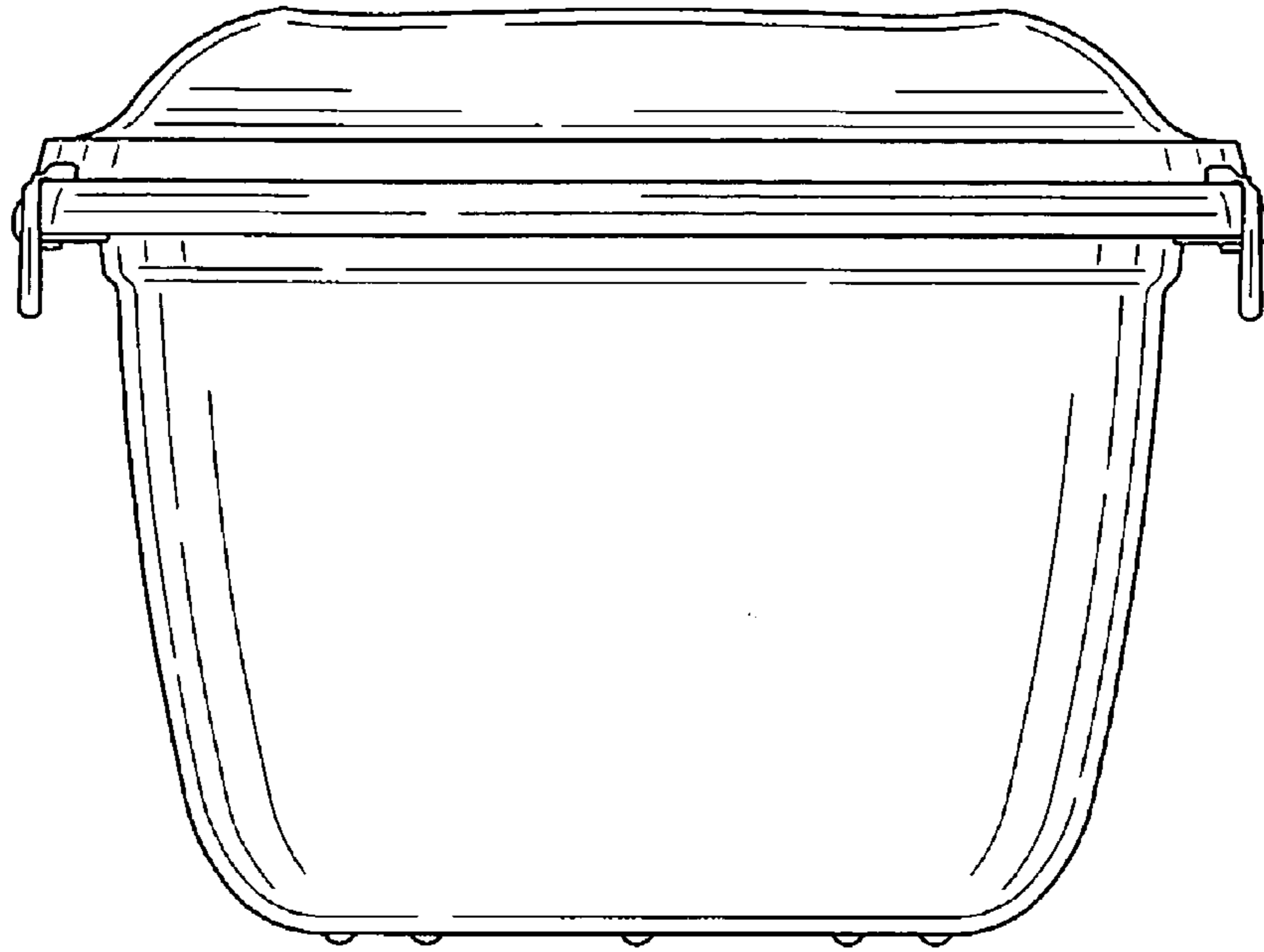


FIG. 3

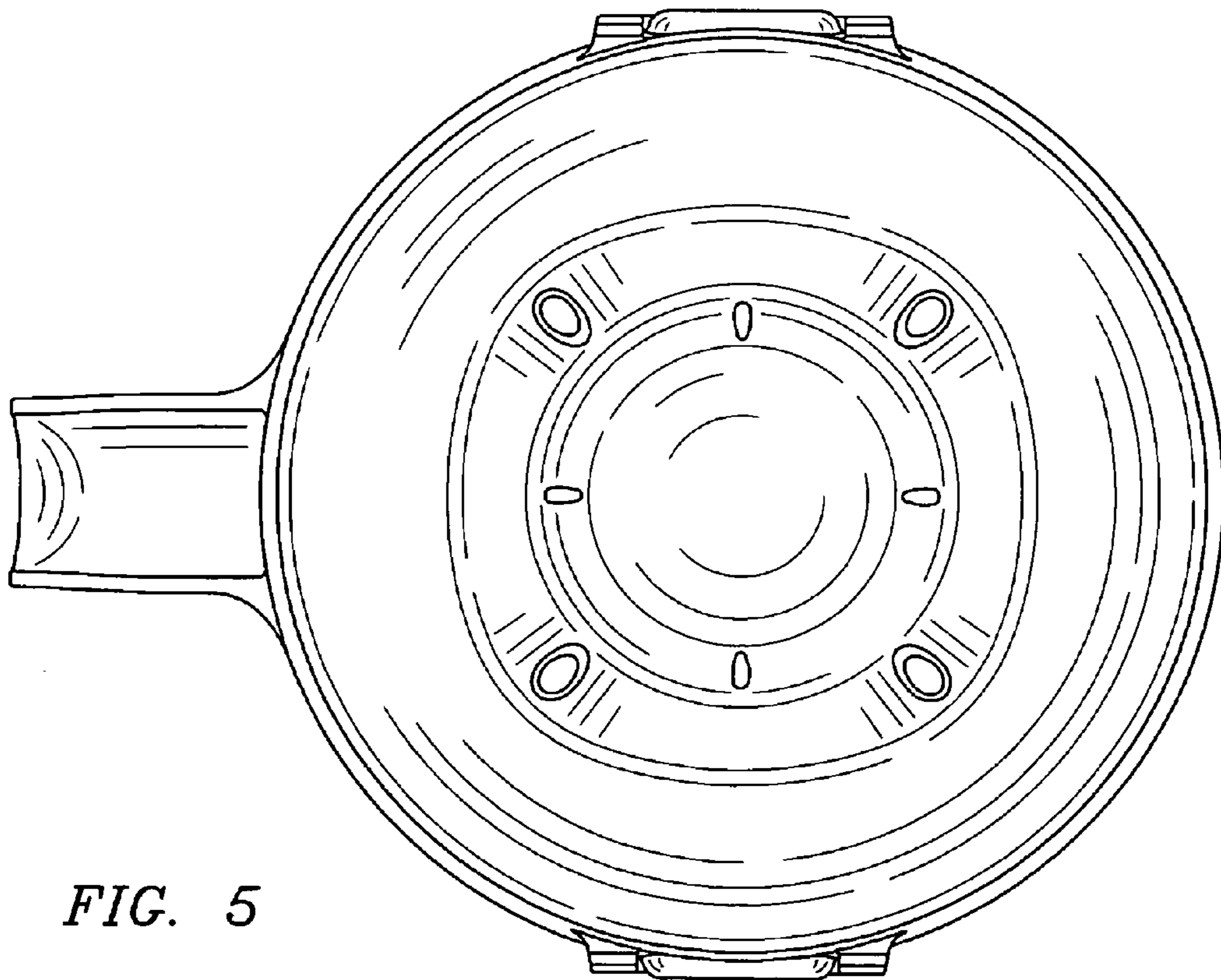


FIG. 5

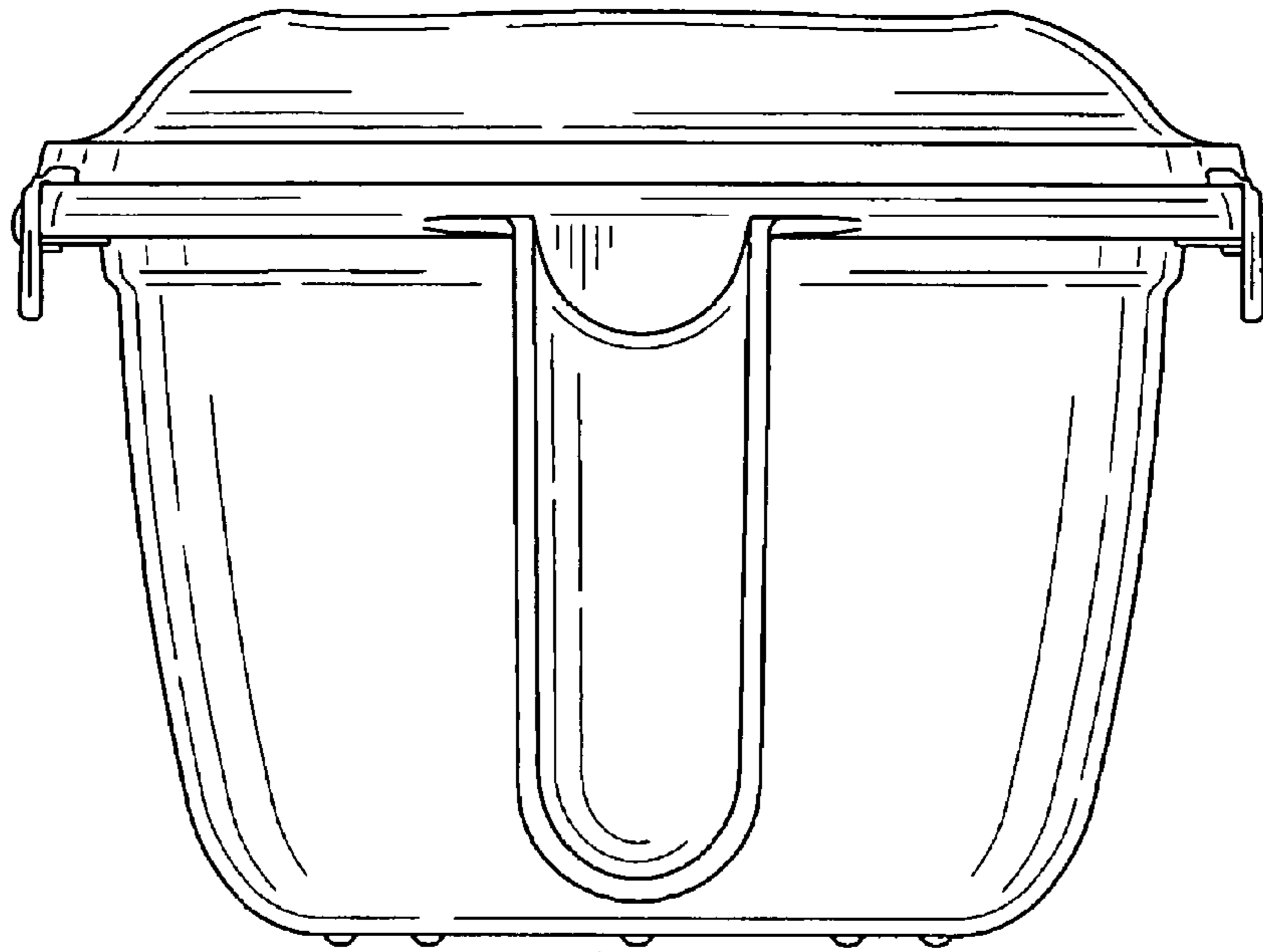


FIG. 4

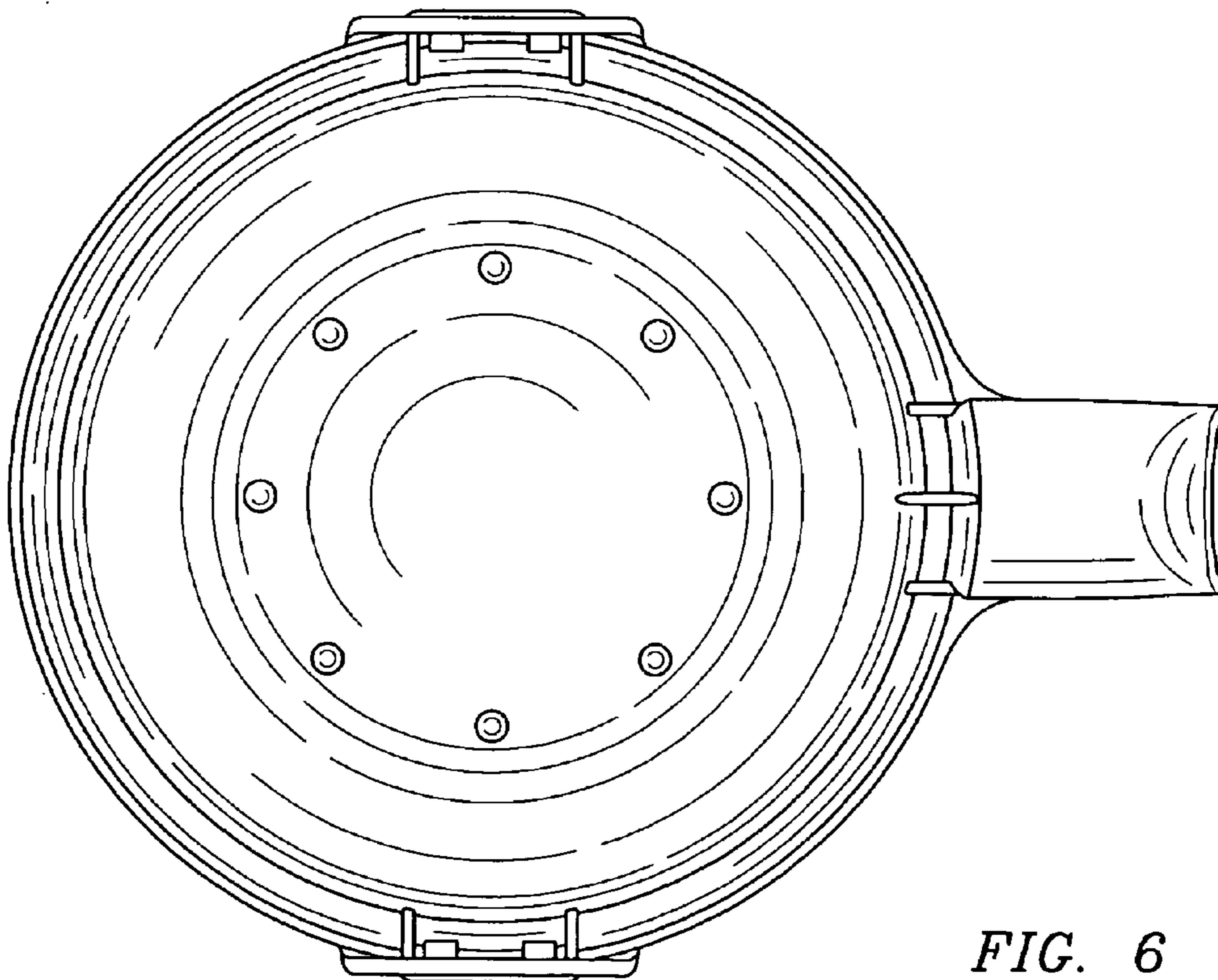


FIG. 6