



US00D653901S

(12) **United States Design Patent**
Sarnoff et al.

(10) **Patent No.:** **US D653,901 S**

(45) **Date of Patent:** **** Feb. 14, 2012**

(54) **PAN**

(75) Inventors: **Norton Sarnoff**, Northbrook, IL (US);
Raj Patel, Zurich, IL (US)

(73) Assignee: **Handi-Foil Corporation**, Wheeling, IL (US)

(**) Term: **14 Years**

(21) Appl. No.: **29/377,952**

(22) Filed: **Oct. 28, 2010**

(51) **LOC (9) Cl.** **07-02**

(52) **U.S. Cl.** **D7/354**

(58) **Field of Classification Search** D7/323,
D7/329-332, 337, 339, 346-347, 350.1-350.4,
D7/354-363, 391, 393, 395, 402, 409, 538,
D7/542-545, 554.2, 552.2, 566, 570, 584-587,
D7/601-602, 610, 667; 99/279, 324-325,
99/330-332, 337-340, 369, 403-425, 444,
99/450; 126/25 A, 41 R, 275 R, 380.1, 390.1;
206/501-505, 507-508; 219/400, 405, 435-442,
219/620-624, 725, 730-735, 754-755; 220/4.26,
220/485, 491, 573.1-573.5, 574, 607, 658,
220/676, 759, 771, 912; 229/110, 406; 249/61,
249/127, 163; 426/438, 441, 523

See application file for complete search history.

(56) **References Cited**

U.S. PATENT DOCUMENTS

D212,821 S * 11/1968 Benes D7/545
D417,367 S * 12/1999 Laib D7/602

D418,017 S * 12/1999 Henry D7/545
D483,618 S * 12/2003 Watson D7/545
D489,567 S * 5/2004 Groll D7/354
D551,492 S * 9/2007 Schuler D7/354
D581,203 S * 11/2008 Simon et al. D7/354

(Continued)

Primary Examiner — Ricky Pham

(74) *Attorney, Agent, or Firm* — Adam K. Scharoff

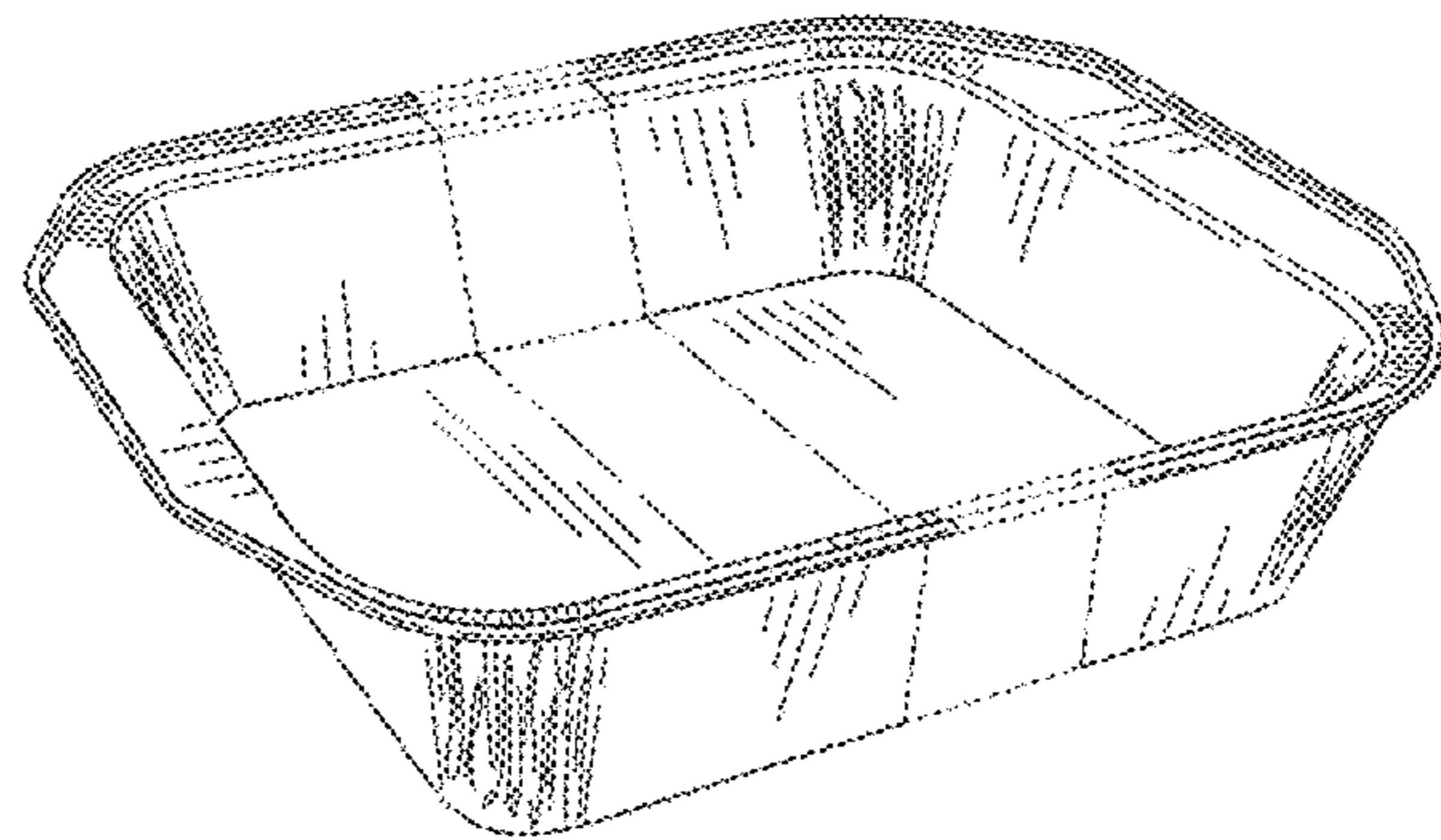
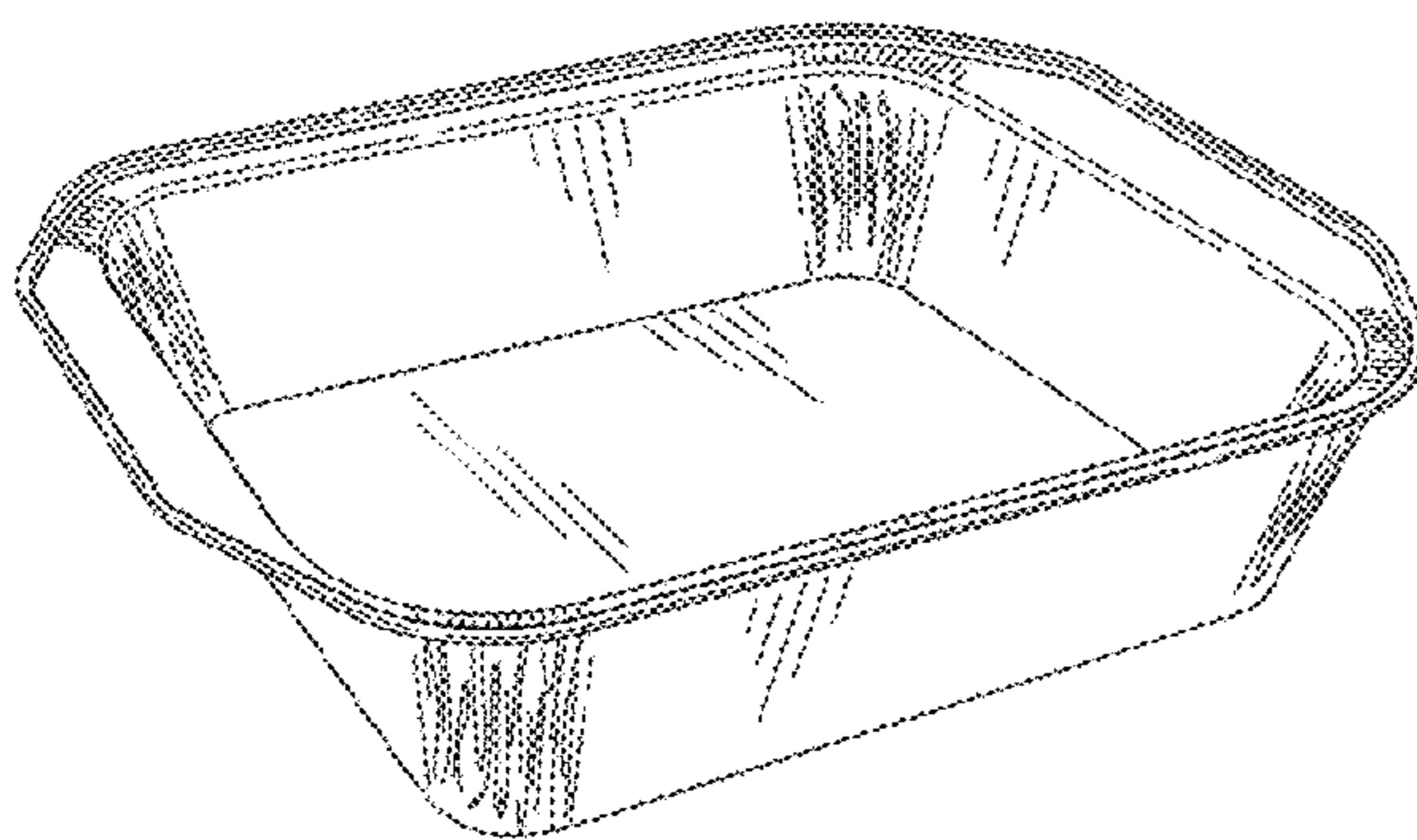
(57) **CLAIM**

The ornamental design for a pan, as shown and described.

DESCRIPTION

FIG. 1 is a top side perspective view of a pan in accordance with one embodiment of the invention shown; FIG. 2 is a left side view of the pan from FIG. 1; FIG. 3 is a right side view of the pan from FIG. 1; FIG. 4 is a front side view of the pan from FIG. 1; FIG. 5 is a back side view of the pan from FIG. 1; FIG. 6 is a top side view of the pan from FIG. 1; FIG. 7 is a bottom side view of the pan from FIG. 1; FIG. 8 is a top side perspective view of a pan in accordance with a second embodiment of the invention shown; FIG. 9 is a left side view of the pan from FIG. 8; FIG. 10 is a right side view of the pan from FIG. 8; FIG. 11 is a front side view of the pan from FIG. 8; FIG. 12 is a back side view of the pan from FIG. 8; FIG. 13 is a top side view of the pan from FIG. 8; and, FIG. 14 is a bottom side view of the pan from FIG. 8. The broken lines showing are for the purpose of illustrating portions of the environmental structure and forms no part of the claimed design.

1 Claim, 10 Drawing Sheets



US D653,901 S

Page 2

U.S. PATENT DOCUMENTS

D581,204 S	*	11/2008	Simon et al.	D7/354	D599,610 S	*	9/2009	Logan	D7/354
D583,615 S	*	12/2008	Simon et al.	D7/354	D599,623 S	*	9/2009	de Groote	D7/545
D588,859 S	*	3/2009	Simon et al.	D7/354	D631,300 S	*	1/2011	Samartgis	D7/602

* cited by examiner

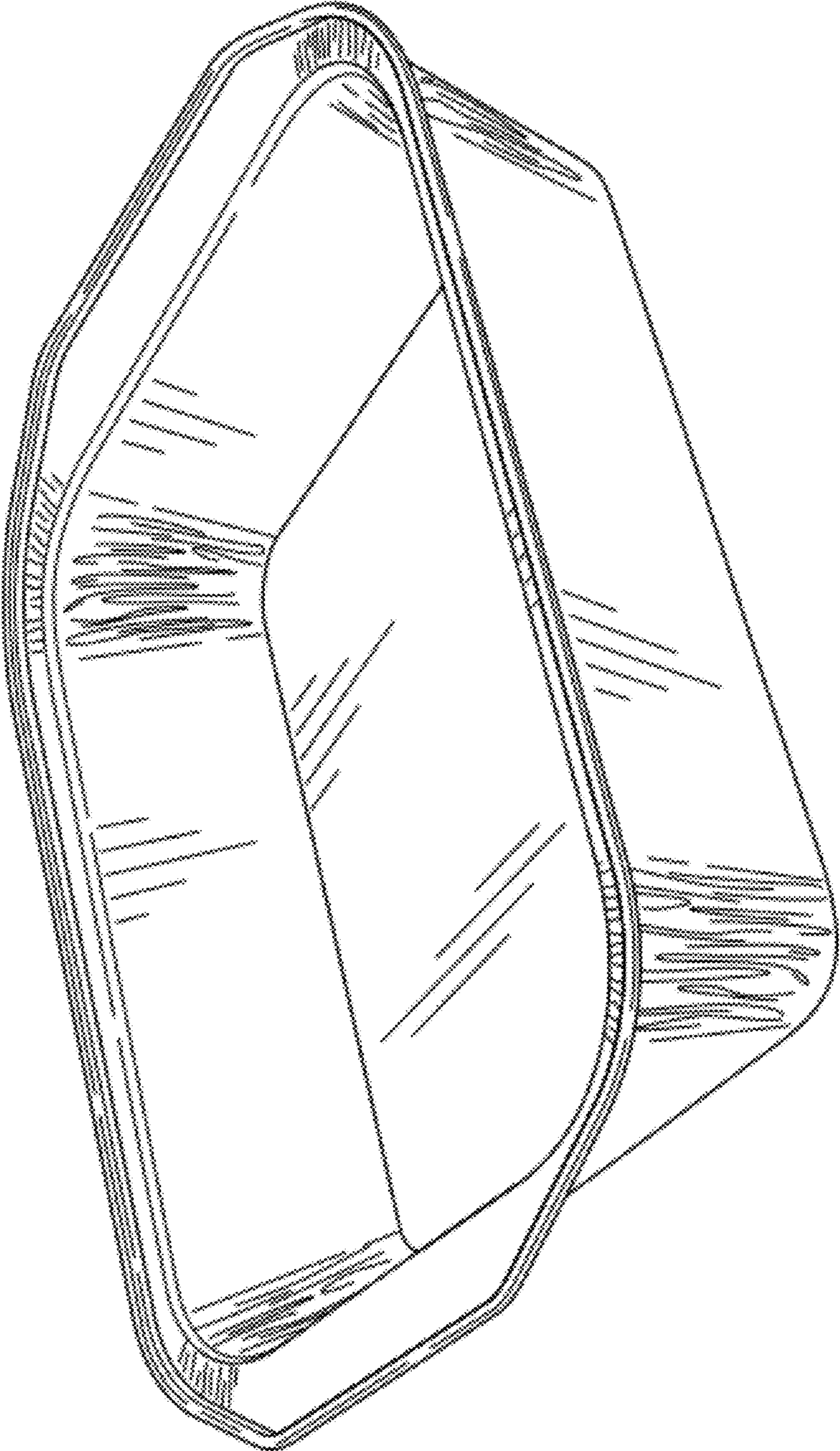


FIG. 1

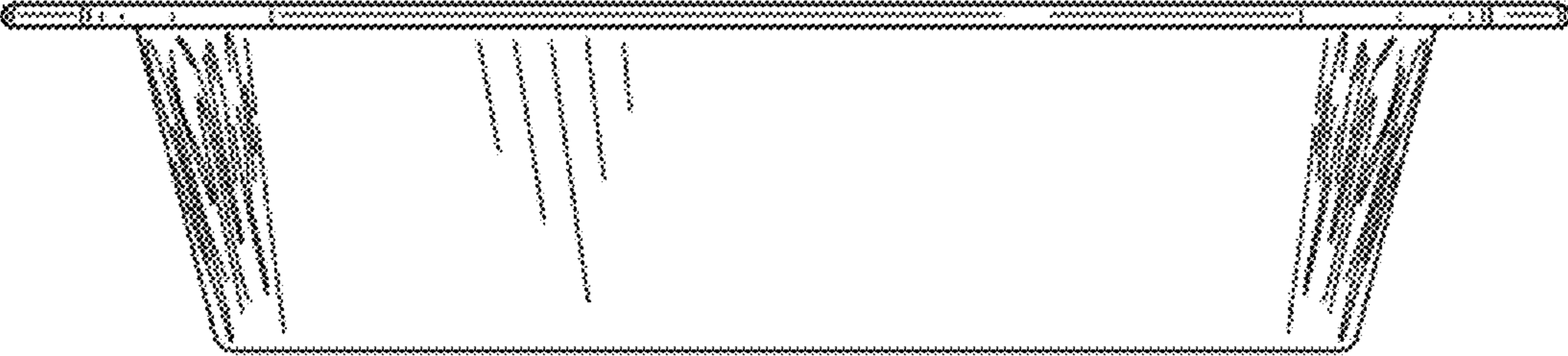


FIG. 2



FIG. 3



FIG. 4



FIG. 5

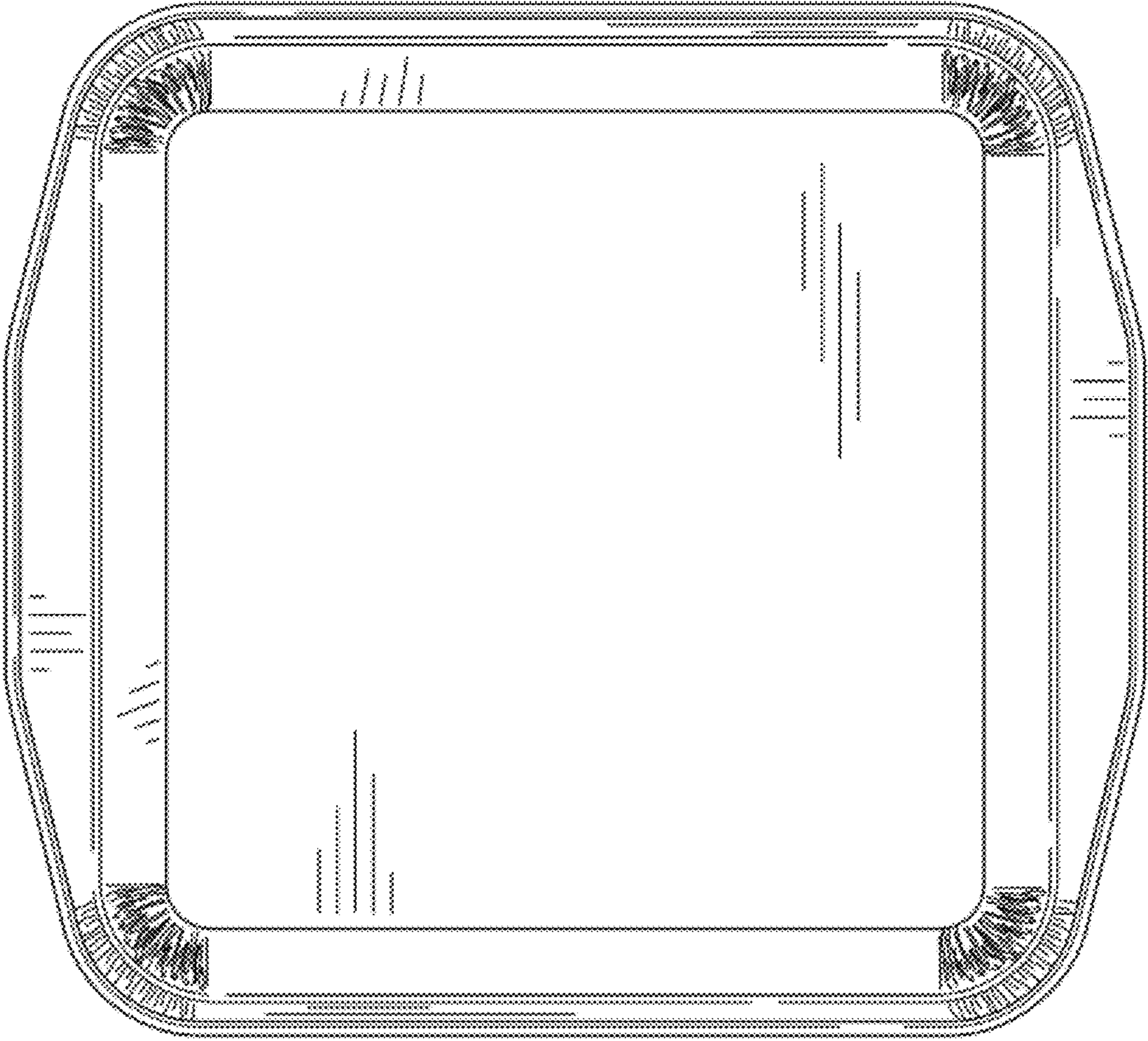


FIG. 6

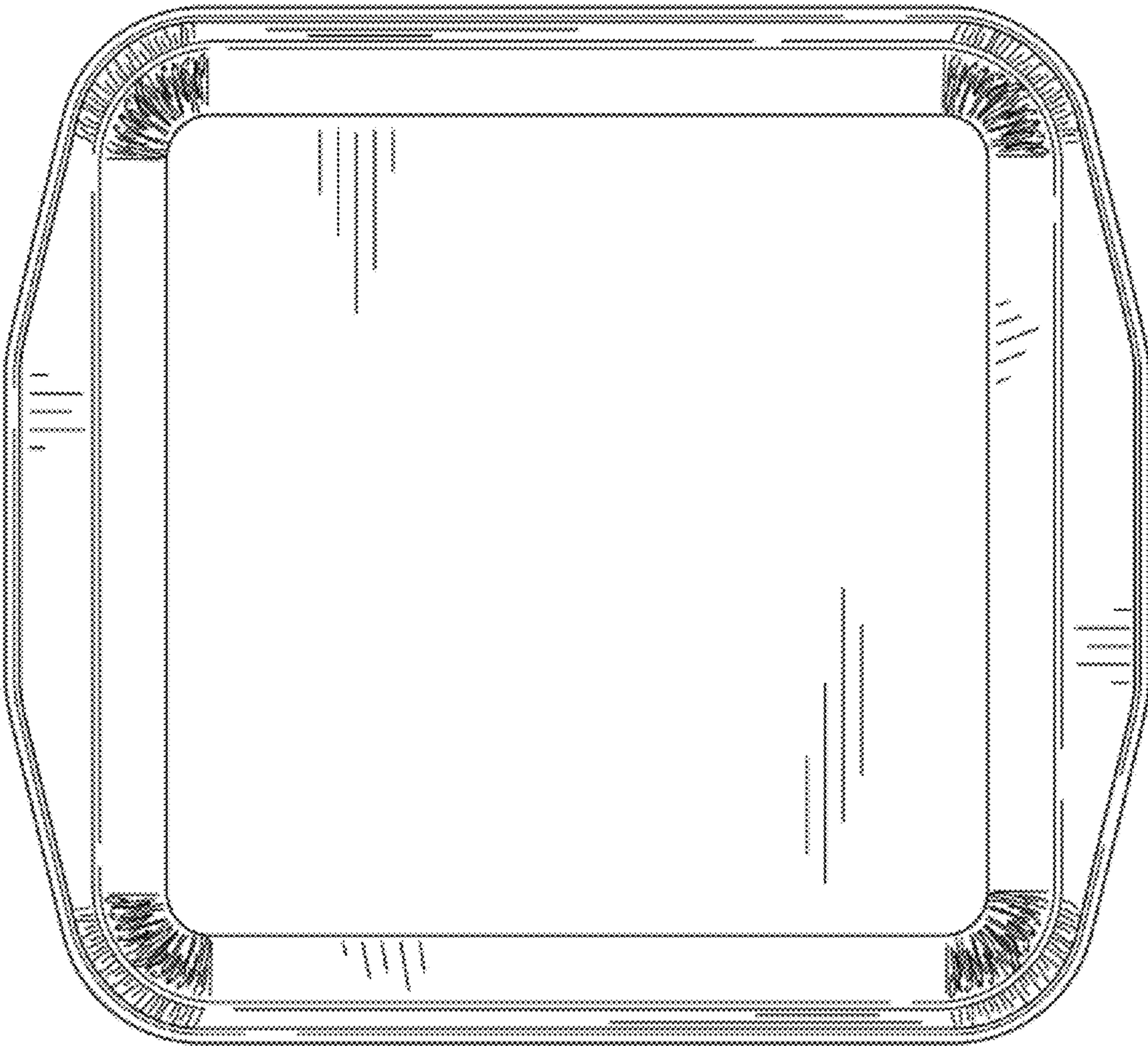


FIG. 7

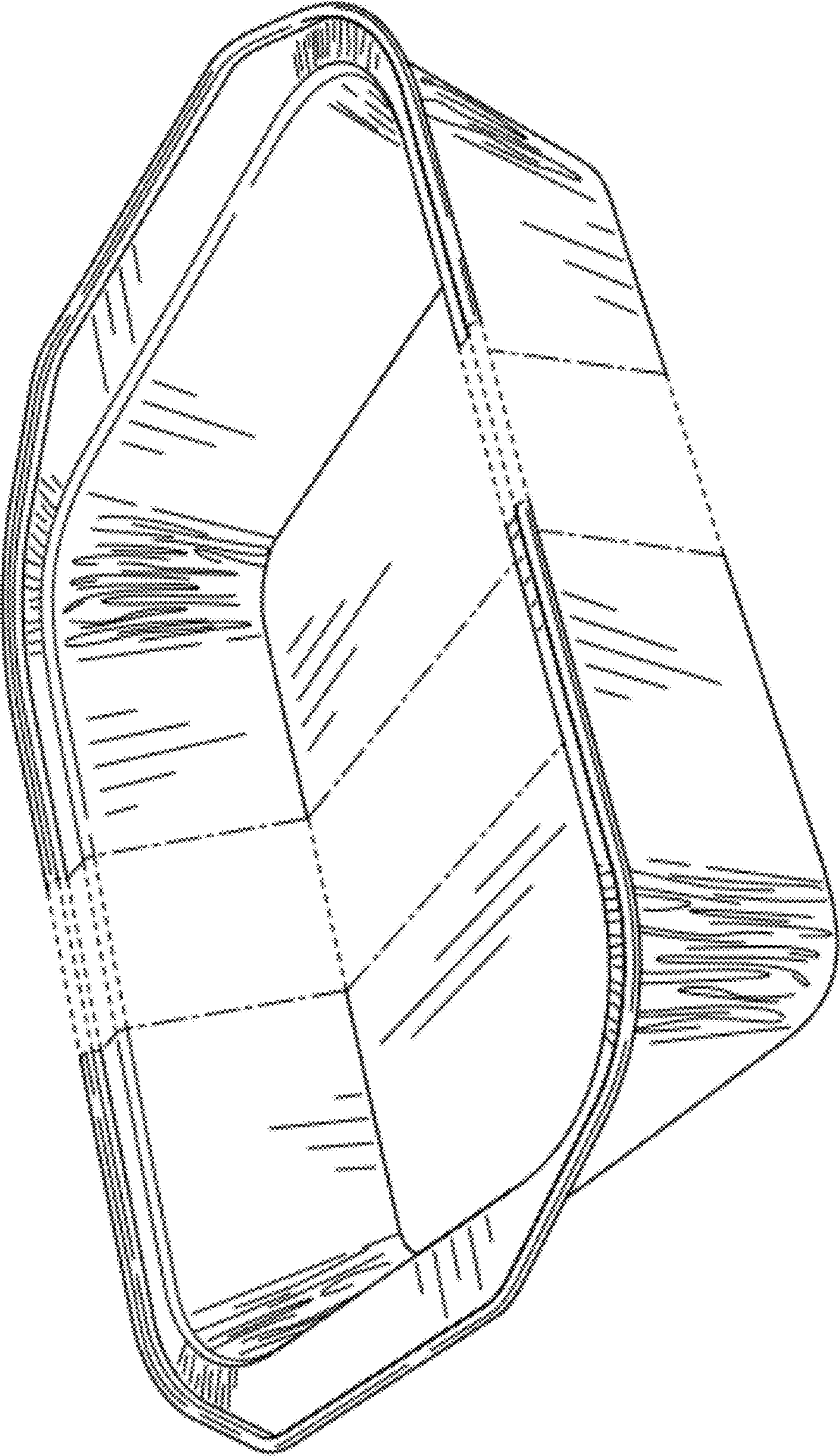


FIG. 8

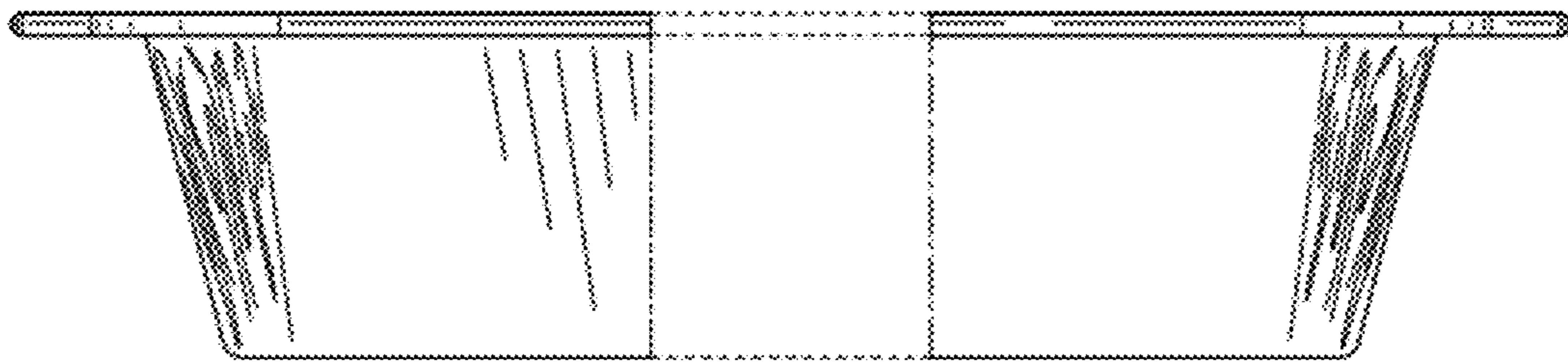


FIG. 9

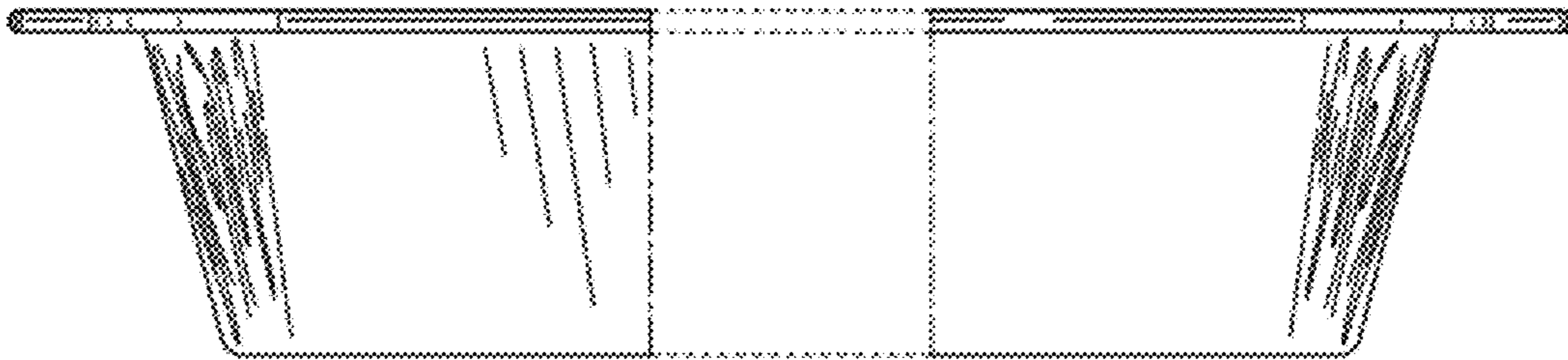


FIG. 10



FIG. 11



FIG. 12

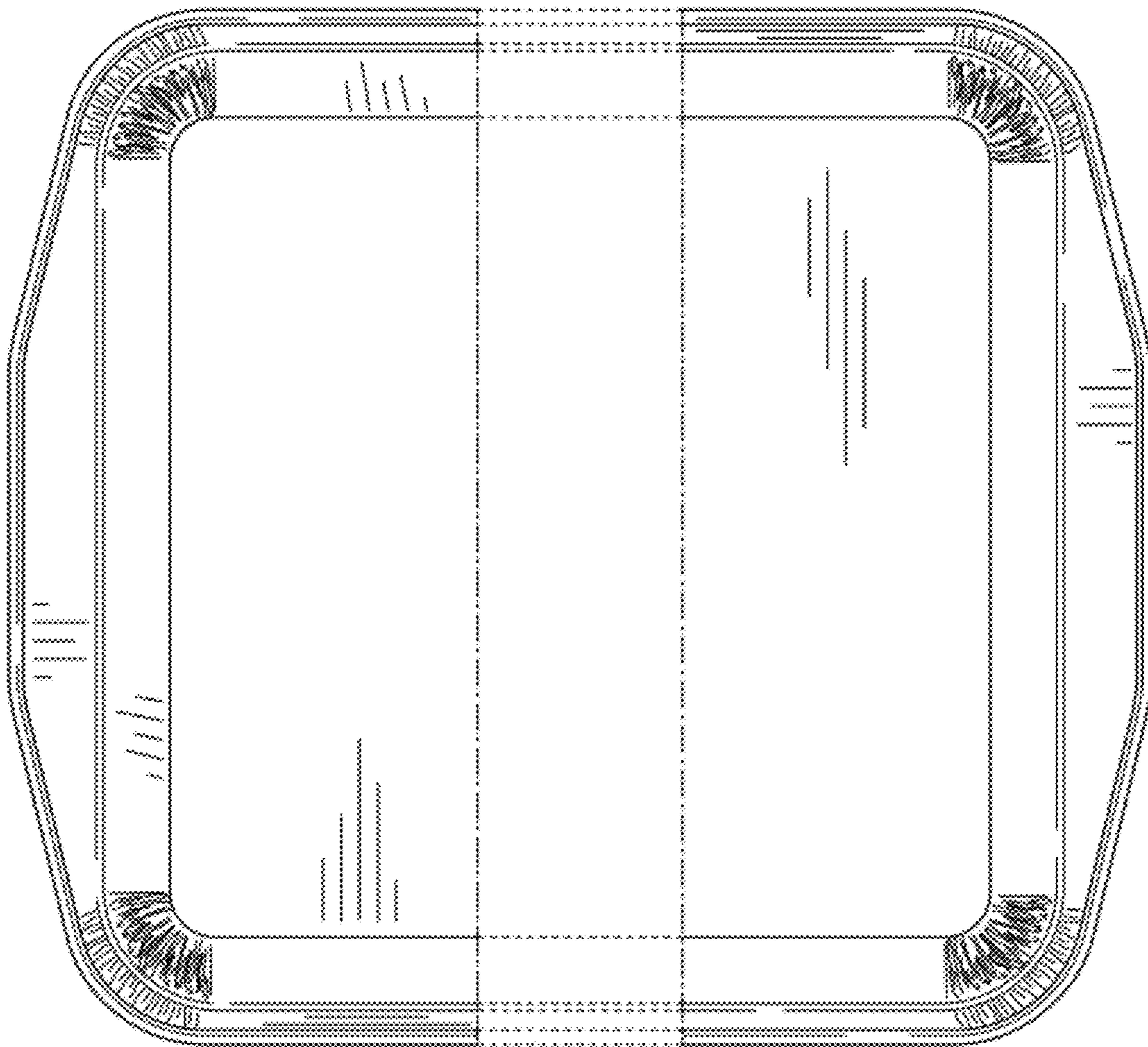


FIG. 13

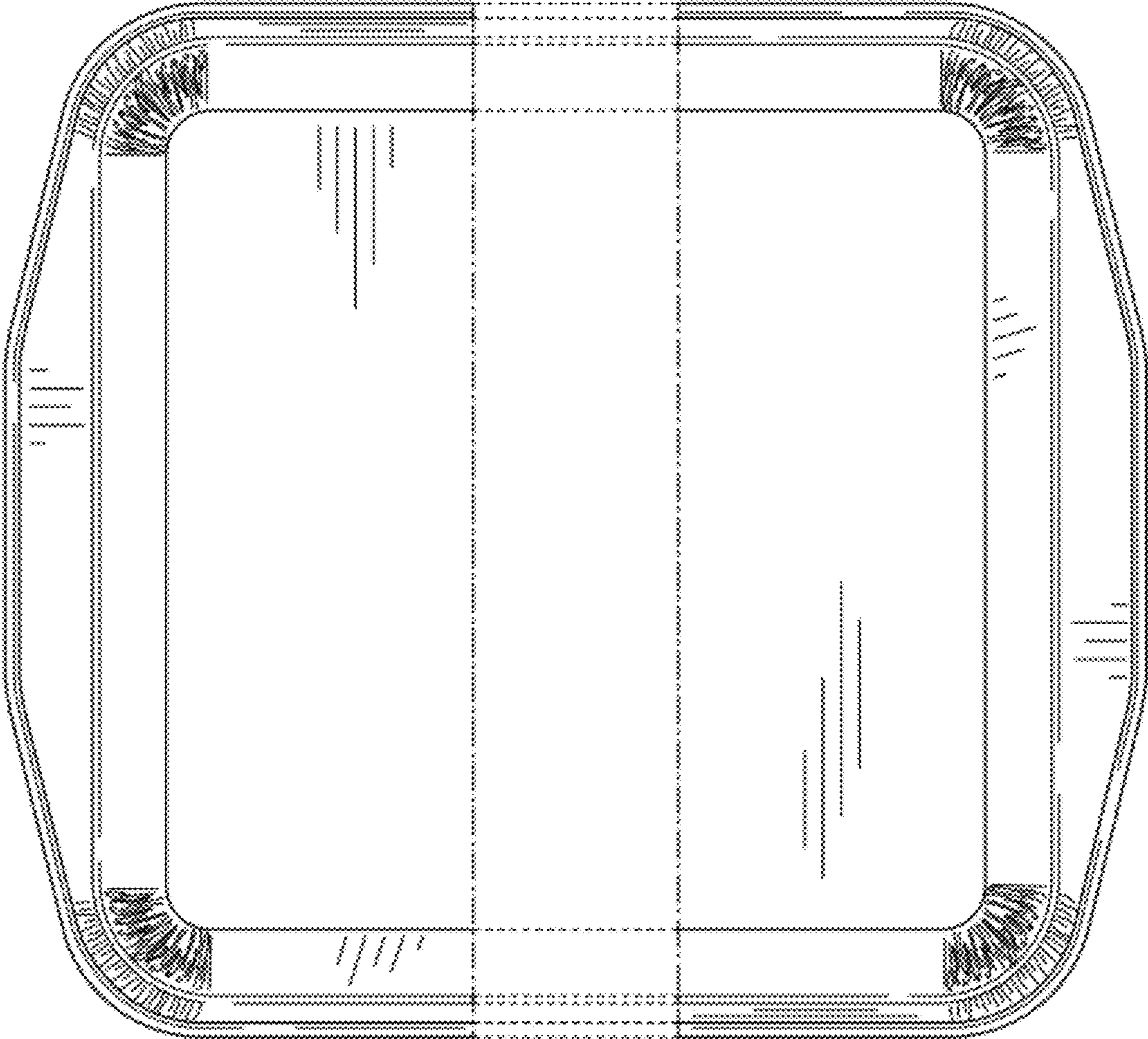


FIG. 14