



US00D653900S

(12) **United States Design Patent**
Kim et al.

(10) **Patent No.:** **US D653,900 S**

(45) **Date of Patent:** **** Feb. 14, 2012**

(54) **GAS OVEN RANGE**

(75) Inventors: **Soo Yeon Kim**, Seoul (KR); **Kyoung Ha Lee**, Busan (KR); **Na Jung Cho**, Seoul (KR); **Han Jin Jung**, Seoul (KR)

(73) Assignee: **LG Electronics Inc.**, Seoul (KR)

(**) Term: **14 Years**

(21) Appl. No.: **29/393,618**

(22) Filed: **Jun. 7, 2011**

(30) **Foreign Application Priority Data**

Dec. 29, 2010 (KR) 30-2010-0056562

(51) **LOC (9) Cl.** **07-02**

(52) **U.S. Cl.** **D7/340**

(58) **Field of Classification Search** D7/323,
D7/339-348, 402-408; 219/391-392, 395,
219/445-446, 446.1, 460.1, 560, 452.11;
126/198, 211, 39 B, 19 R, 39 C, 50, 39 R,
126/273 R, 214 R

See application file for complete search history.

(56) **References Cited**

U.S. PATENT DOCUMENTS

5,653,221	A *	8/1997	Luken et al.	126/299 C
6,712,066	B1 *	3/2004	Atkinson et al.	126/214 R
D510,227	S *	10/2005	Baldwin	D7/340
D530,972	S *	10/2006	Park	D7/340
D560,955	S *	2/2008	Shin et al.	D7/340
D578,823	S *	10/2008	Kim	D7/340
D623,889	S *	9/2010	Kim et al.	D7/340

* cited by examiner

Primary Examiner — Catheri Oliver

(74) *Attorney, Agent, or Firm* — Birch, Stewart, Kolasch & Birch, LLP

(57) **CLAIM**

We claim the ornamental design for a gas oven range, as shown and described.

DESCRIPTION

FIG. 1 is a perspective view of a gas oven range showing our new design:

FIG. 2 is a front elevation view thereof;

FIG. 3 is a rear elevation view thereof;

FIG. 4 is a left-side elevation view thereof;

FIG. 5 is a right-side elevation view thereof;

FIG. 6 is a top plan view thereof; and,

FIG. 7 is a bottom plan view thereof.

1 Claim, 6 Drawing Sheets

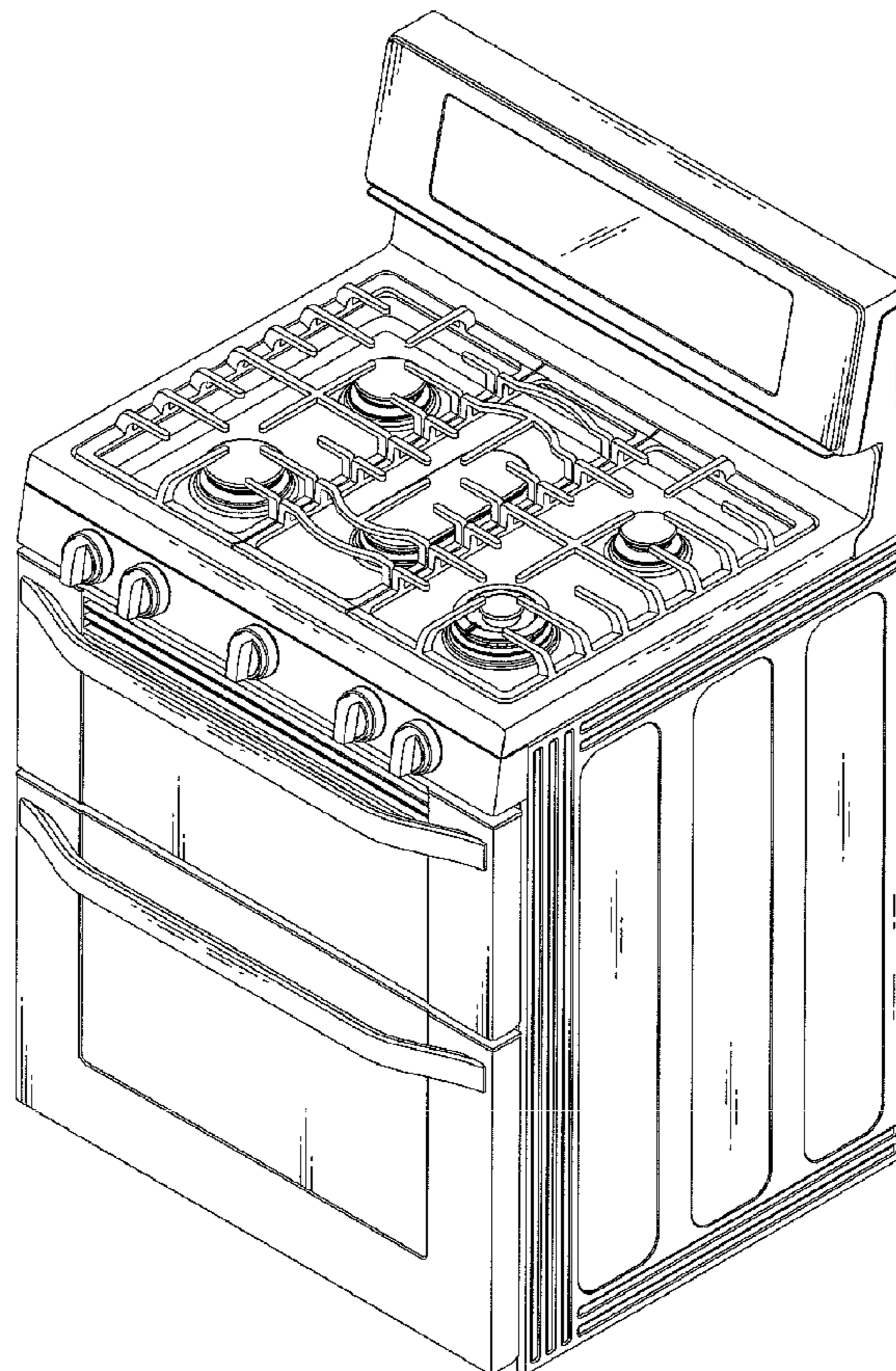


FIG. 1

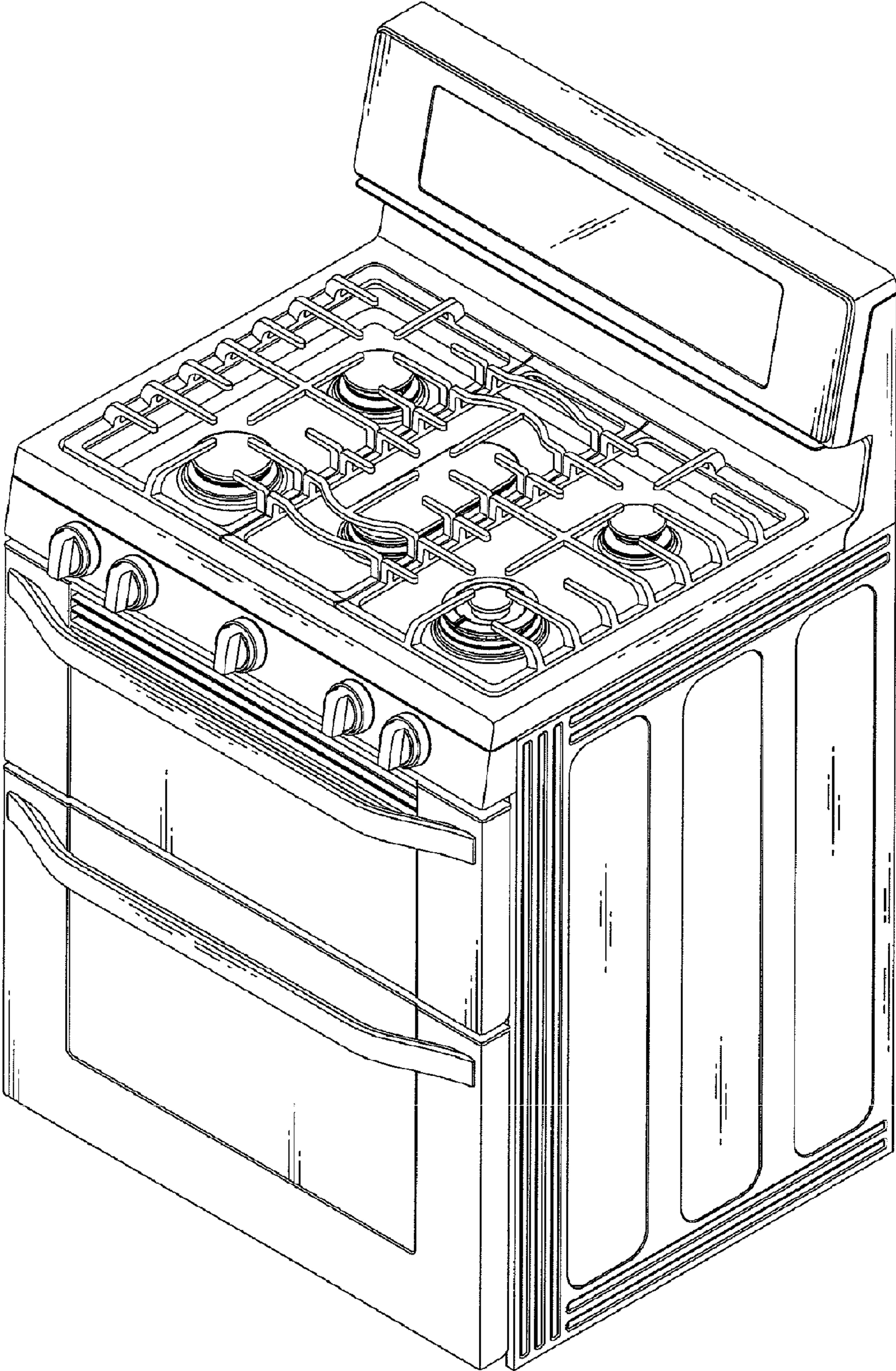


FIG. 2

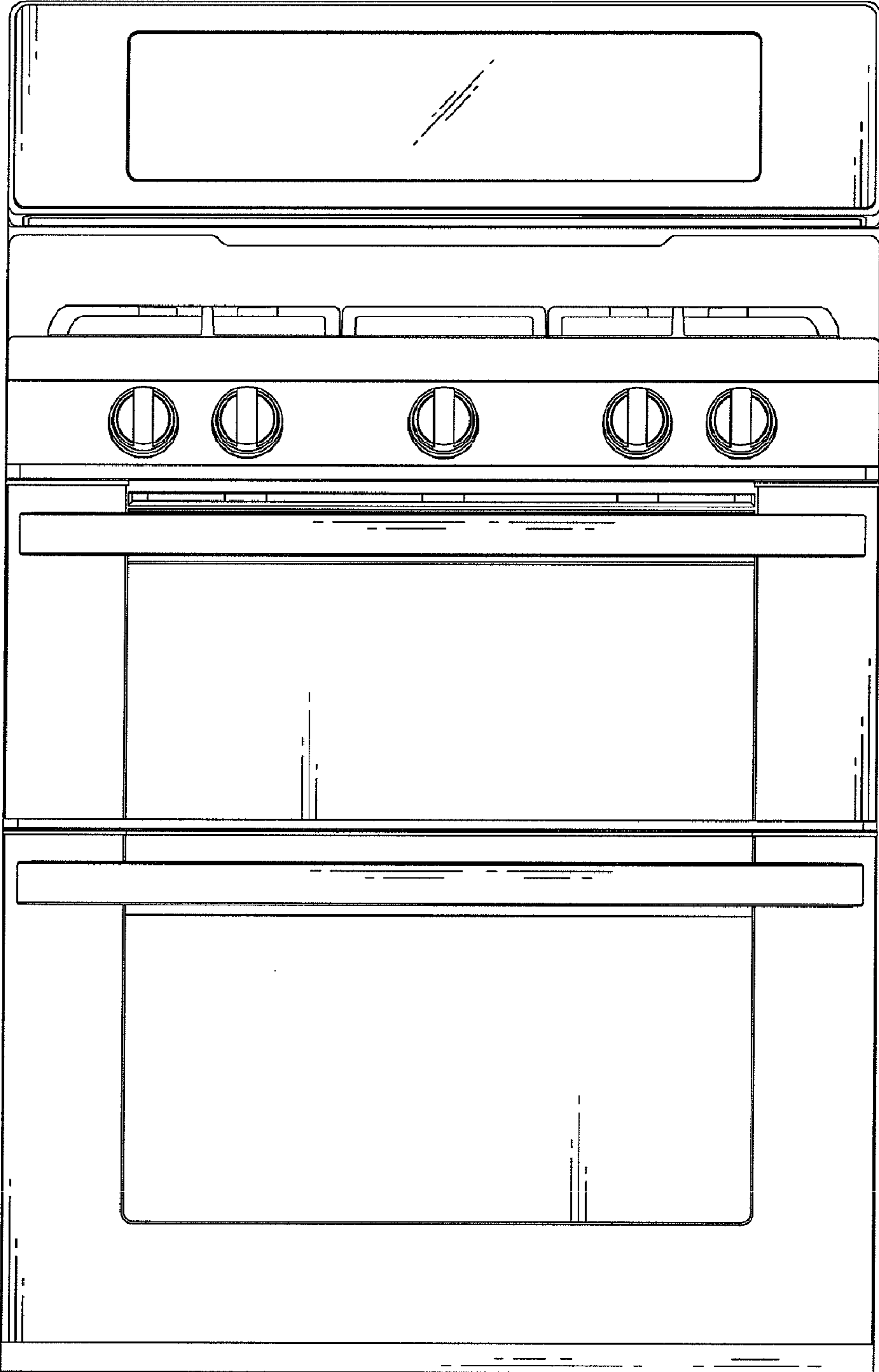


FIG. 3

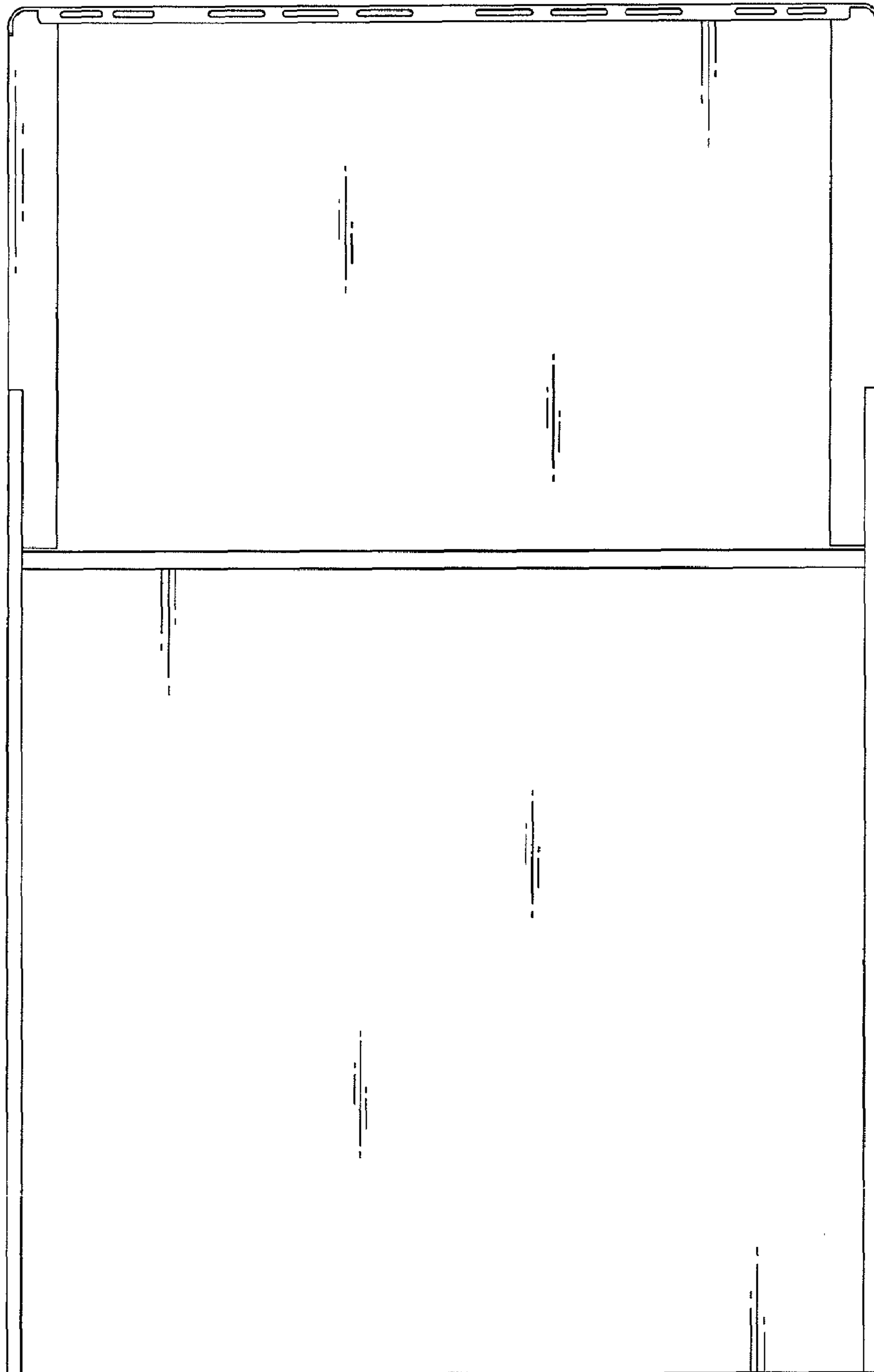


FIG. 4

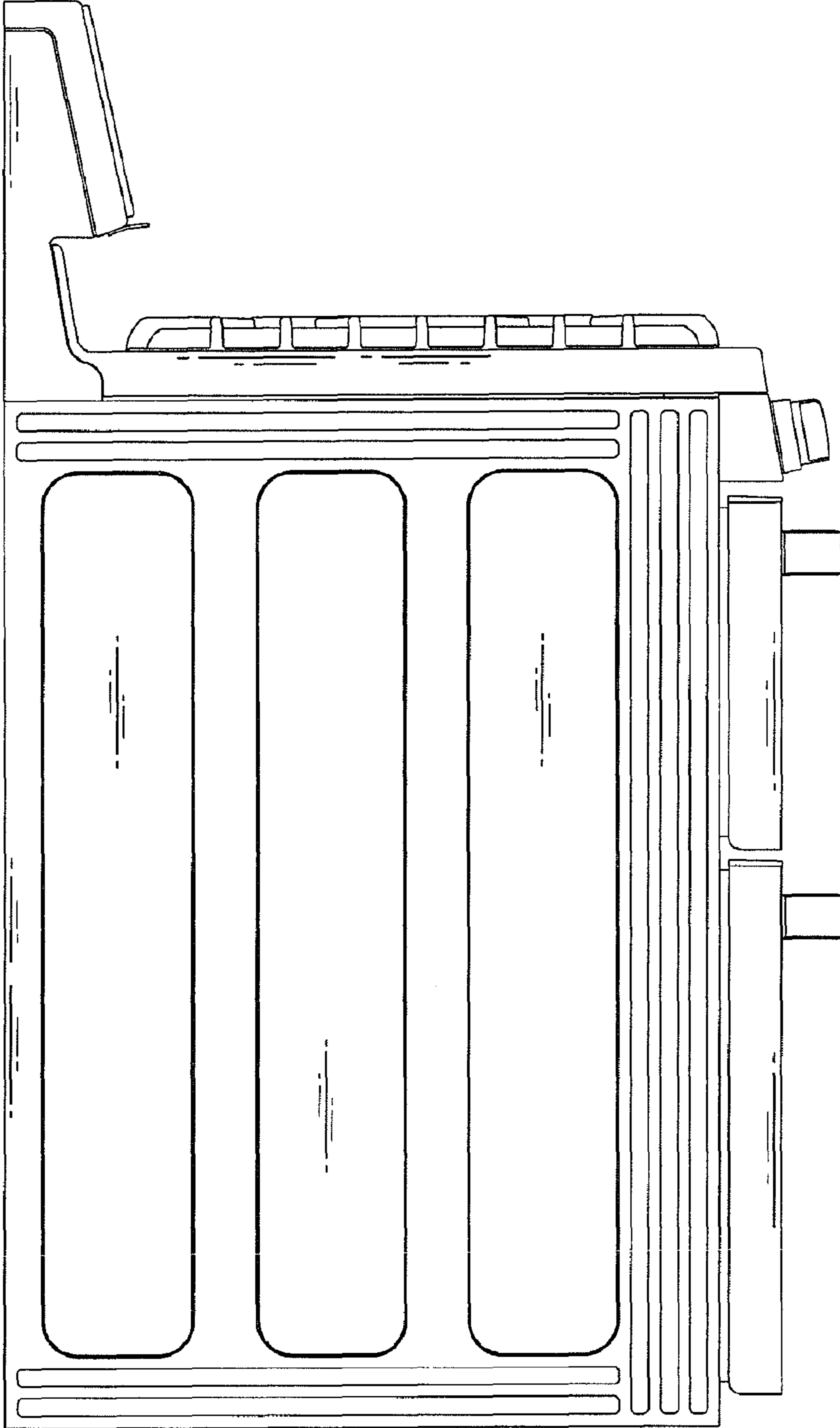


FIG. 5

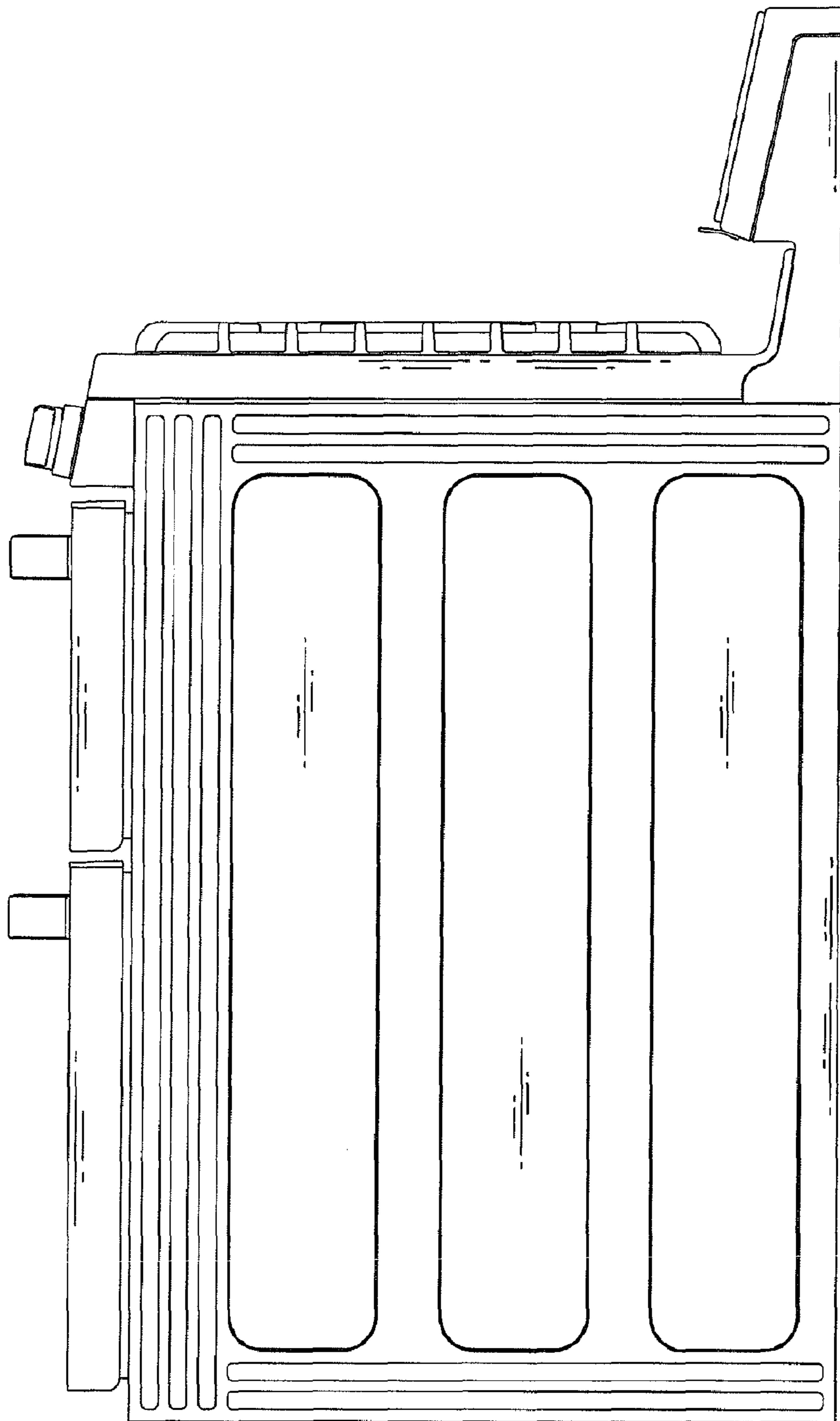


FIG. 6

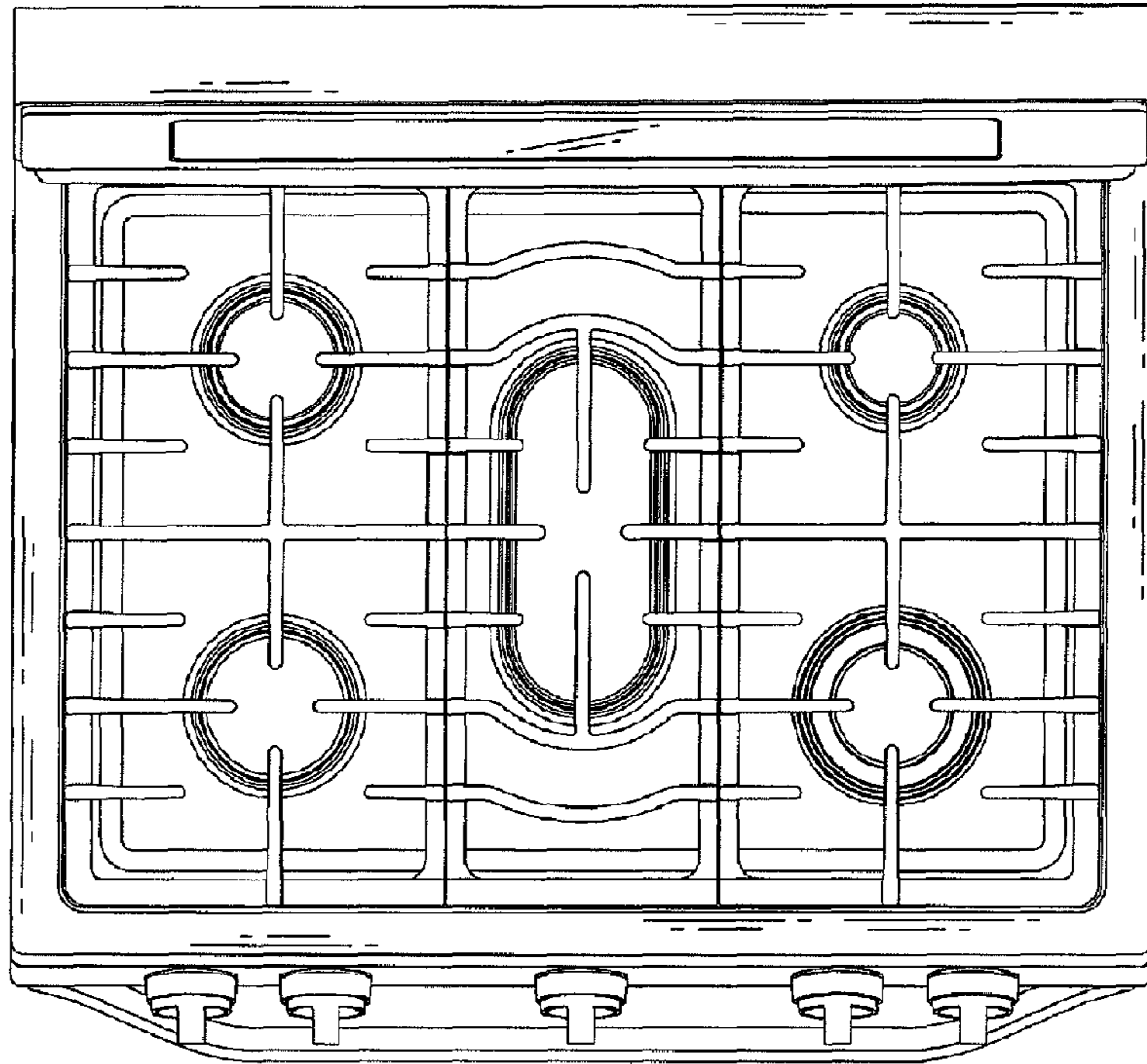


FIG. 7

