



US00D653889S

(12) **United States Design Patent**
Guindi

(10) **Patent No.:** **US D653,889 S**

(45) **Date of Patent:** **** Feb. 14, 2012**

(54) **PAPER TOWEL HOLDER**

(75) **Inventor:** **Henry V. Guindi**, North Brunswick, NJ
(US)

(73) **Assignee:** **HDS Trading Corp.**, North Brunswick,
NJ (US)

(**) **Term:** **14 Years**

(21) **Appl. No.:** **29/396,145**

(22) **Filed:** **Jun. 27, 2011**

(51) **LOC (9) Cl.** **20-02**

(52) **U.S. Cl.** **D6/521; D6/522**

(58) **Field of Classification Search** D6/518-523;
206/389, 391; 211/13.1, 59.1, 45, 890.1;
242/570, 590, 597.7; 248/309.1, 309.2

See application file for complete search history.

(56) **References Cited**

U.S. PATENT DOCUMENTS

D390,054 S 2/1998 Goodman
D405,304 S 2/1999 Goodman et al.
D412,803 S 8/1999 Goodman et al.

D474,635 S 5/2003 Ancona
D522,292 S * 6/2006 Goodman et al. D6/521
D555,954 S 11/2007 Yang et al.
D582,709 S * 12/2008 Goodman et al. D6/521
D628,836 S * 12/2010 Guindi D6/521
D628,838 S * 12/2010 Goodman et al. D6/521

* cited by examiner

Primary Examiner — Brian N Vinson

(74) *Attorney, Agent, or Firm* — Rankin, Hill & Clark LLP

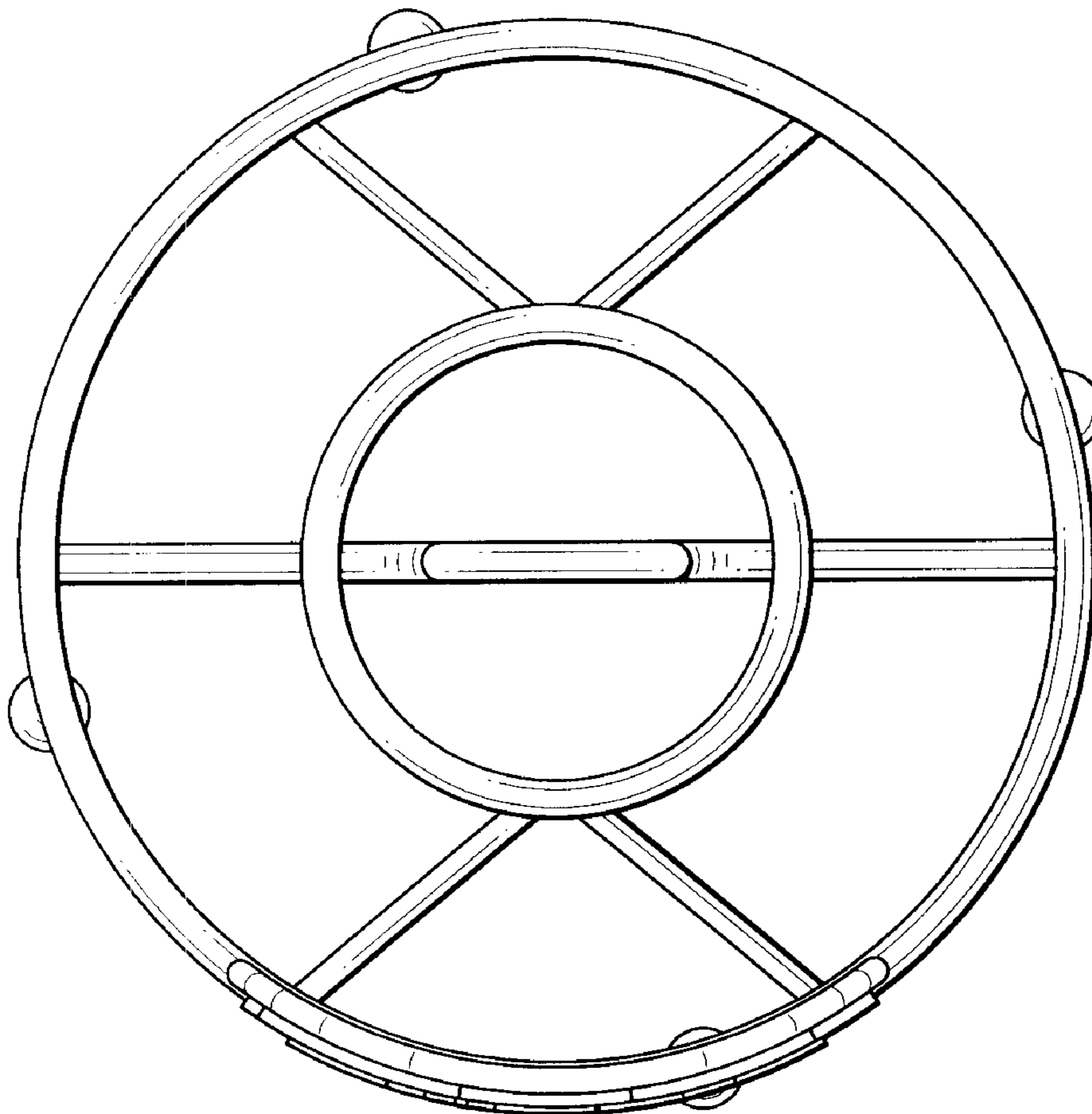
(57) **CLAIM**

The ornamental design for an paper towel holder, as shown and described.

DESCRIPTION

FIG. 1 is a top, front, and right perspective view of a toilet tissue holder showing my new design;
FIG. 2 is a front elevational view thereof;
FIG. 3 is a right elevational view thereof;
FIG. 4 is a rear elevational view thereof;
FIG. 5 is a left side elevational view thereof;
FIG. 6 is a top plan view thereof; and,
FIG. 7 is a bottom plan view thereof.

1 Claim, 6 Drawing Sheets



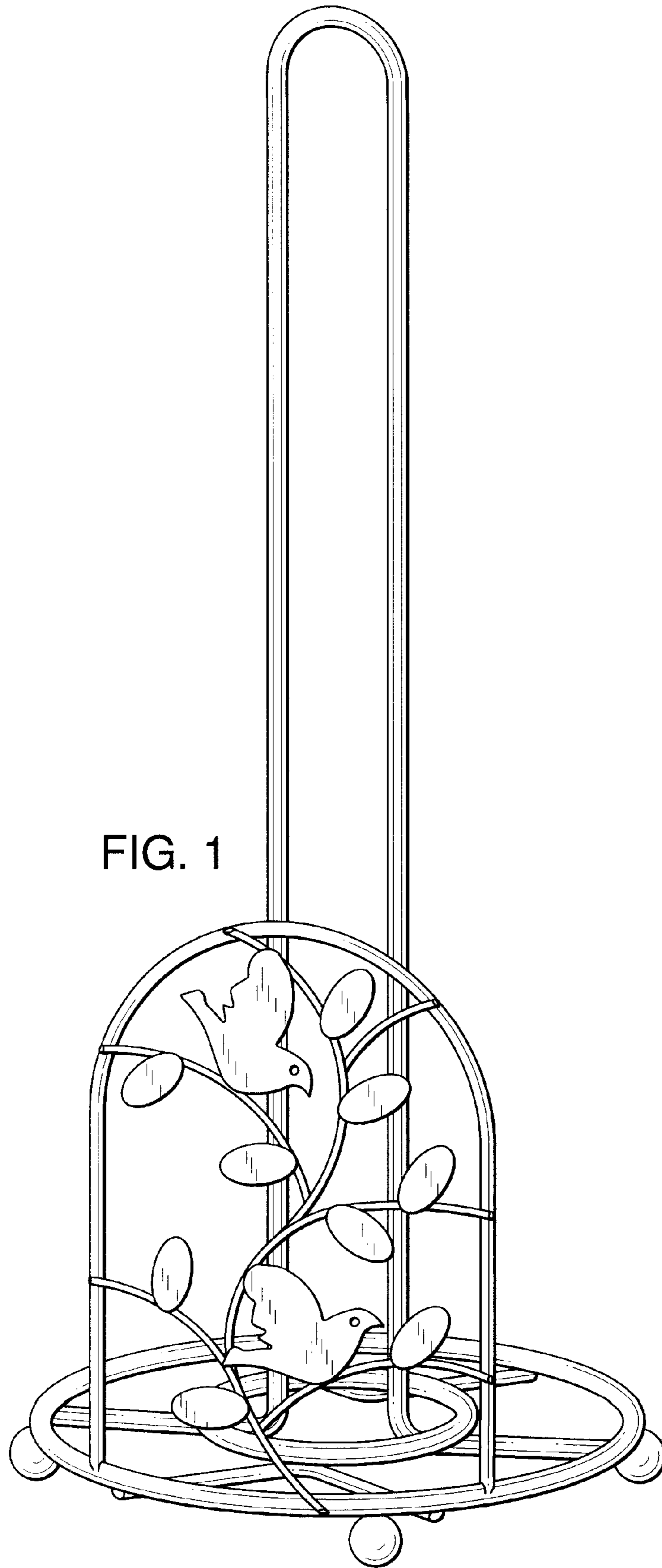


FIG. 1

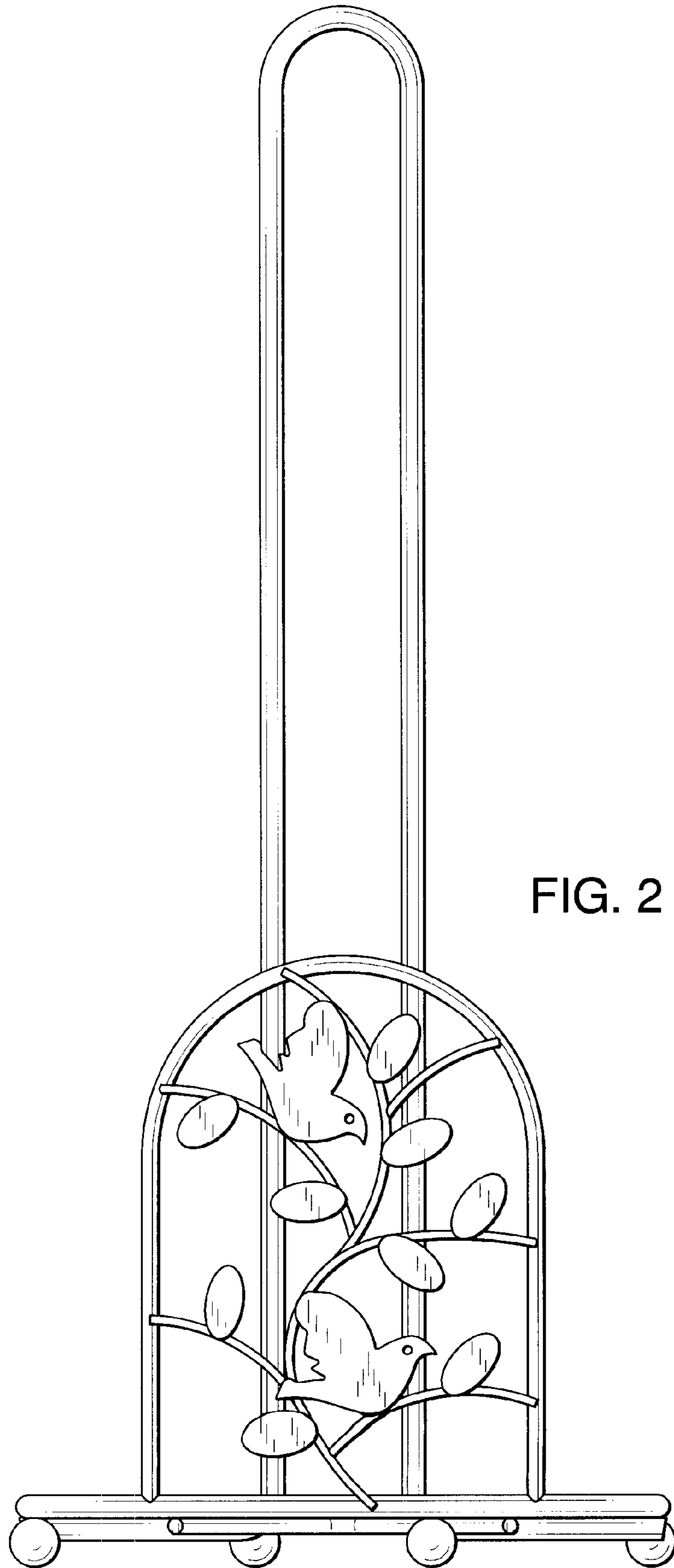


FIG. 2

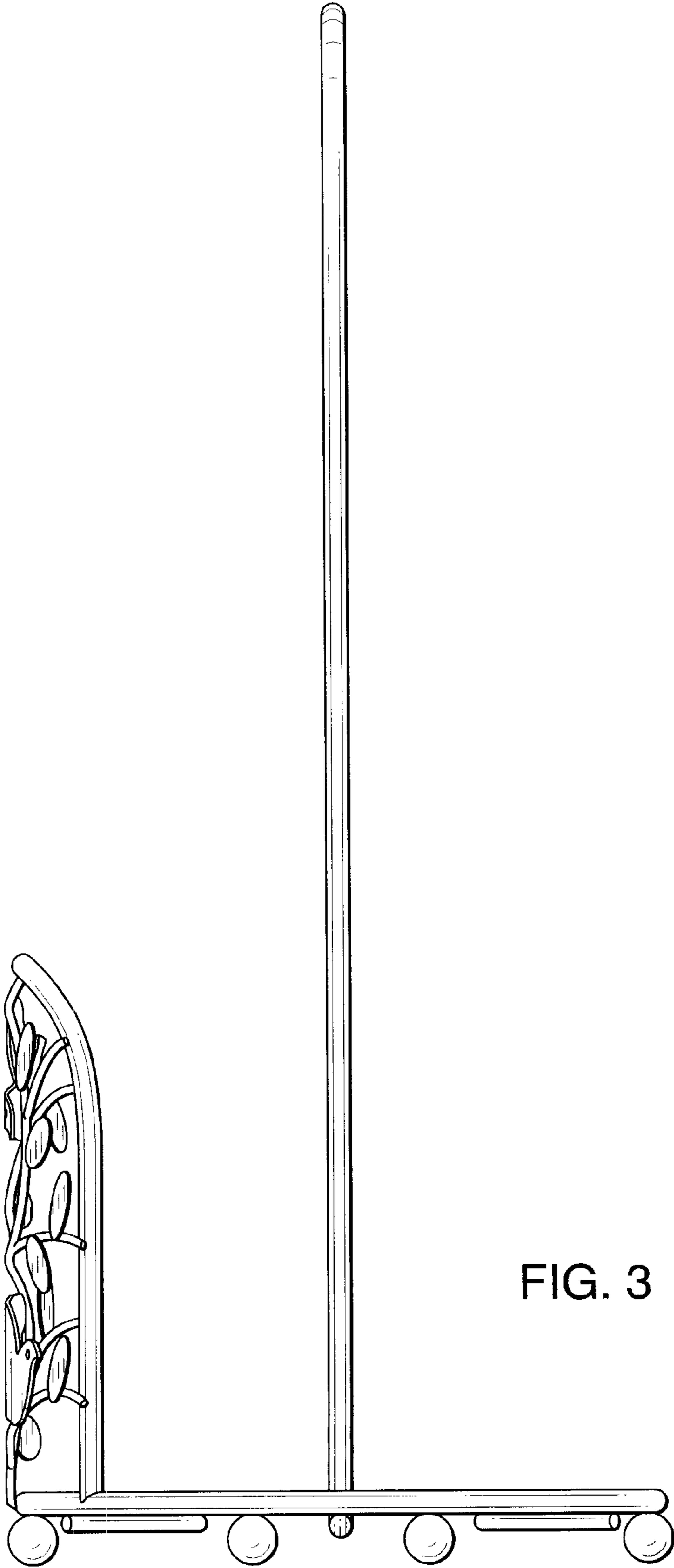


FIG. 3

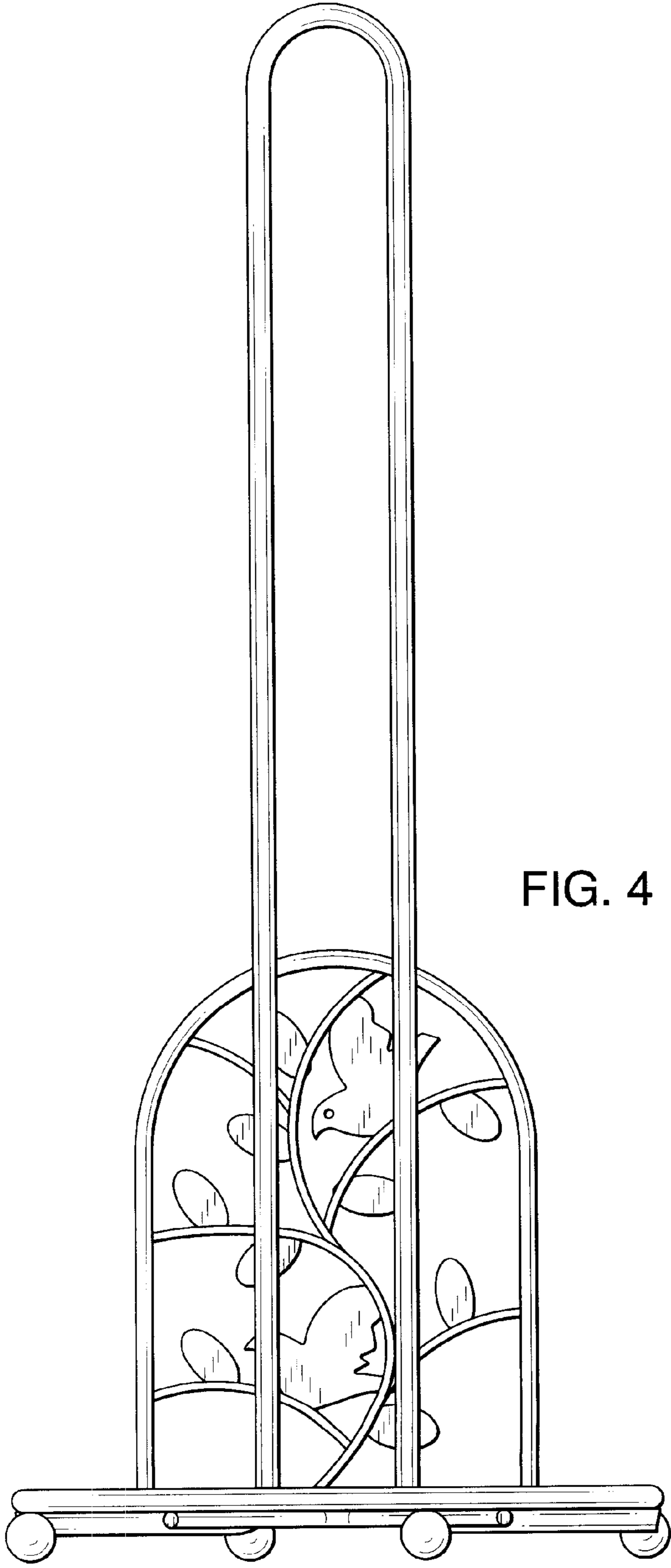


FIG. 4

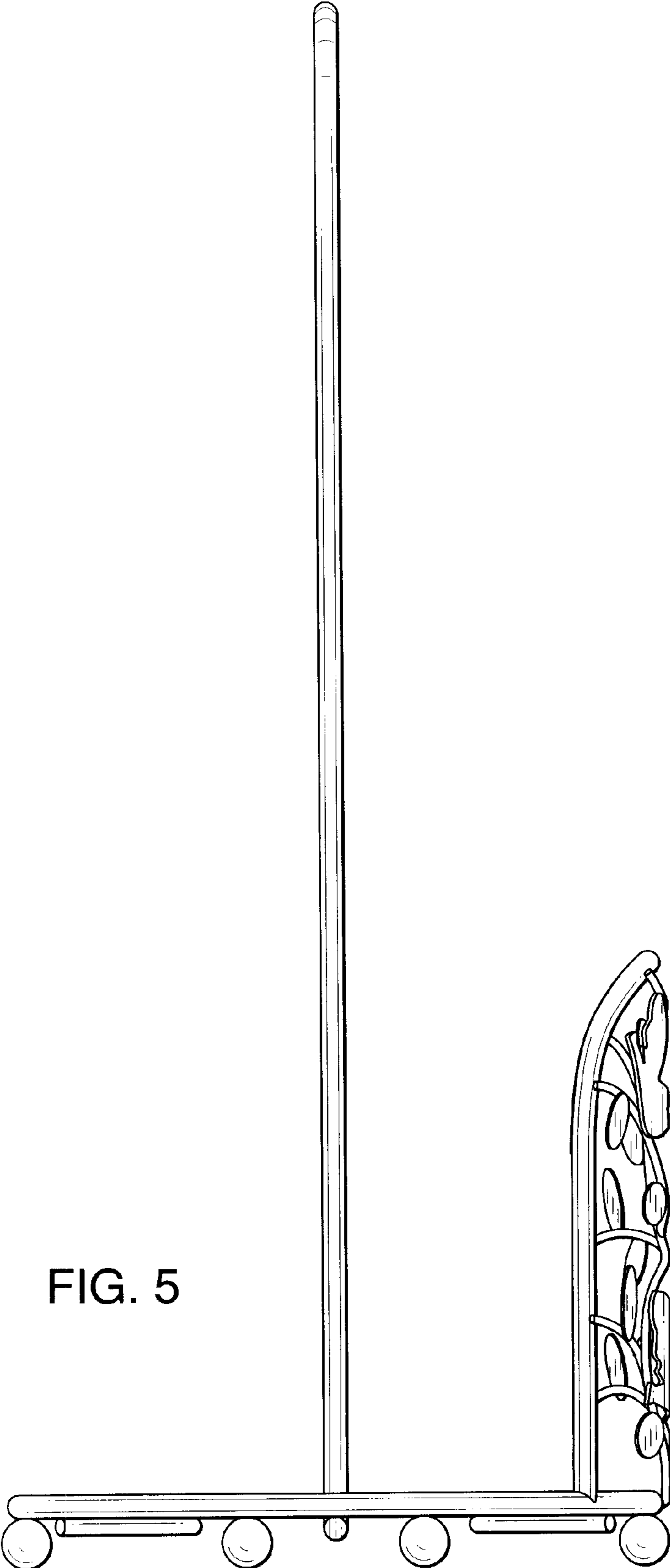


FIG. 5

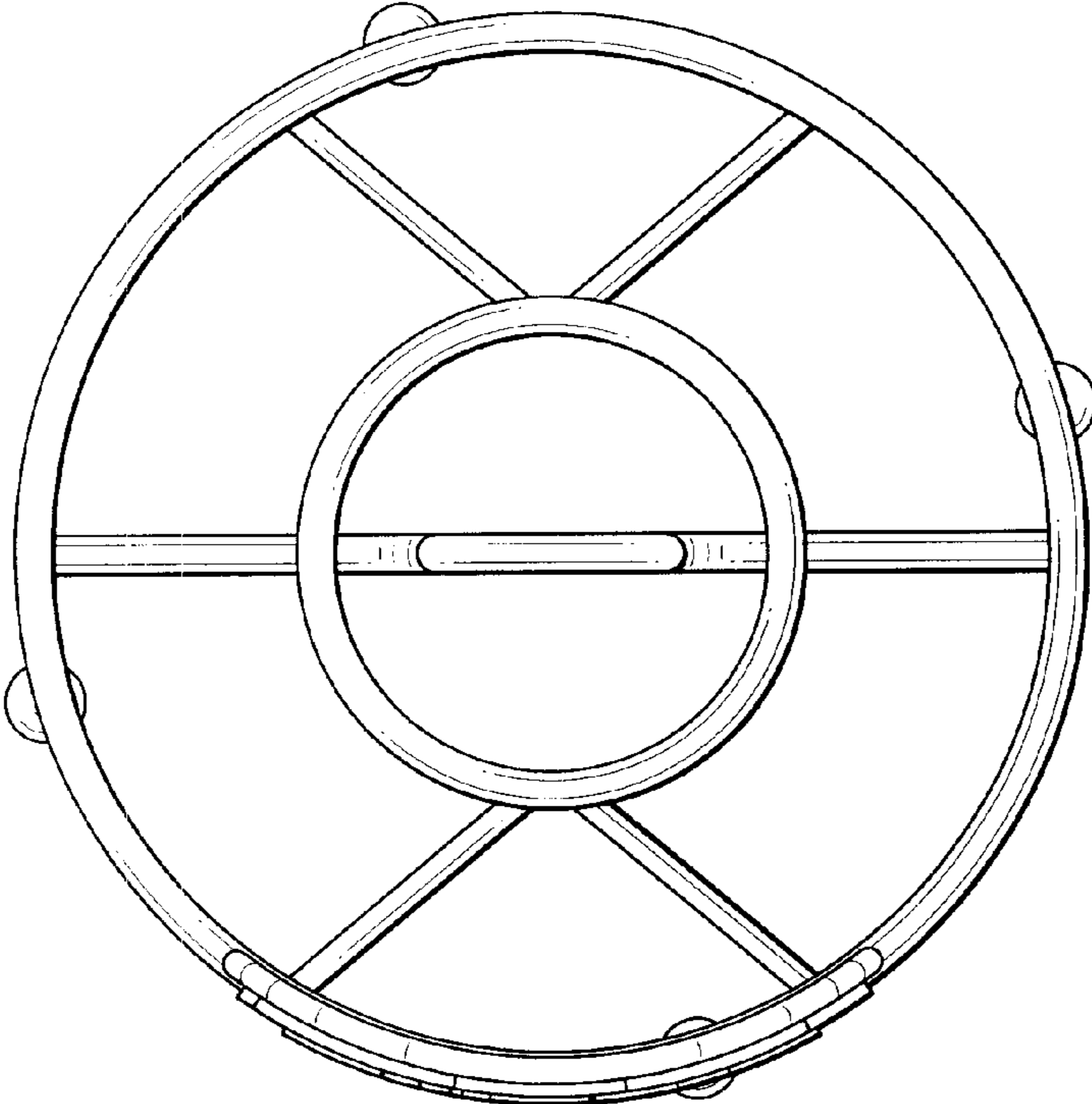


FIG. 6

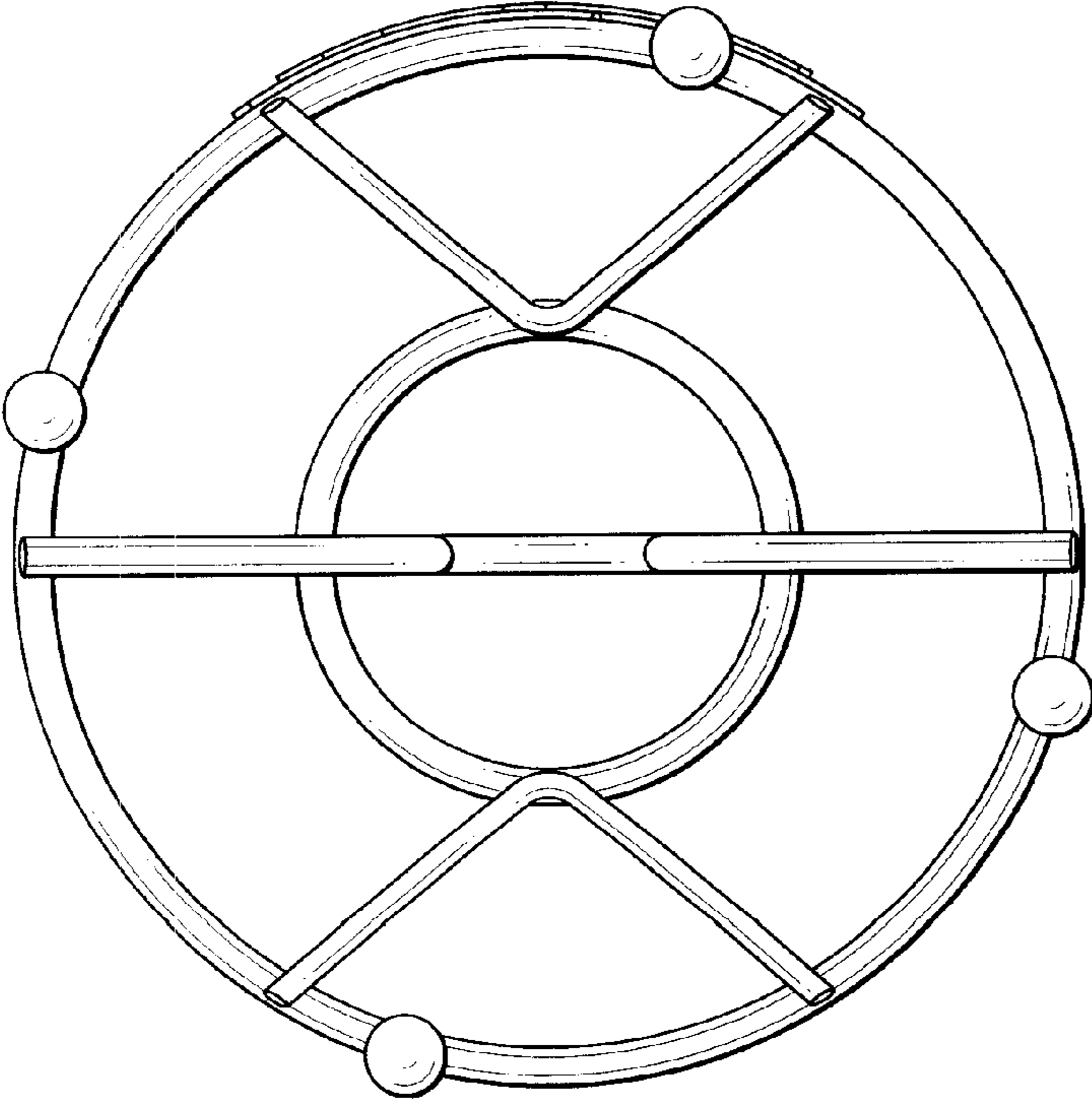


FIG. 7