



US00D653887S

(12) **United States Design Patent**
Guerin

(10) **Patent No.:** **US D653,887 S**

(45) **Date of Patent:** **** Feb. 14, 2012**

(54) **COIL DISPENSER**

(76) Inventor: **Phillip M. Guerin**, Lawrence, MA (US)

(**) Term: **14 Years**

(21) Appl. No.: **29/394,414**

(22) Filed: **Jun. 16, 2011**

(51) **LOC (9) Cl.** **20-02**

(52) **U.S. Cl.** **D6/518**

(58) **Field of Classification Search** D6/515-523;
206/225, 233, 389, 391; 211/13.1; 222/173,
222/180; 221/26, 33, 282-283; 242/270,
242/590; 248/309.1, 309.2, 905

See application file for complete search history.

(56) **References Cited**

U.S. PATENT DOCUMENTS

D316,789 S * 5/1991 McLaughlin D6/518

D383,934 S * 9/1997 McNaughton D6/518

D394,572 S * 5/1998 Devaney D6/518

* cited by examiner

Primary Examiner — Brian N Vinson

(74) *Attorney, Agent, or Firm* — David M. Driscoll, Esq.

(57) **CLAIM**

The ornamental design for a coil dispenser, as shown and described.

DESCRIPTION

FIG. 1 is a perspective view of a coil dispenser showing my new design;

FIG. 2 is a perspective view thereof;

FIG. 3 is a top plan view thereof;

FIG. 4 is a bottom plan view thereof;

FIG. 5 is a front elevational view thereof;

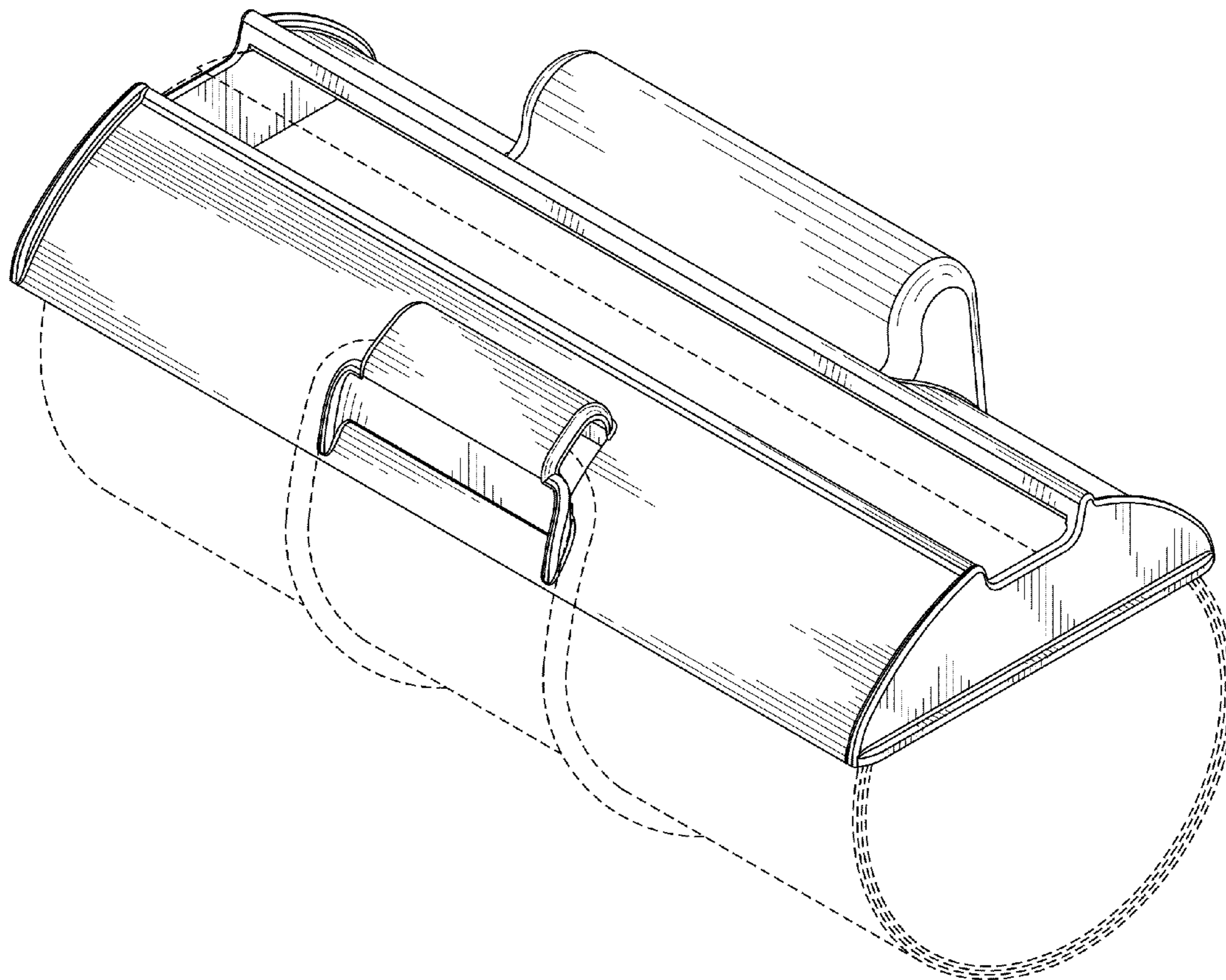
FIG. 6 is a rear elevational view thereof;

FIG. 7 is a right side elevational view thereof; and,

FIG. 8 is a left side elevational view thereof.

The portions shown in broken lines are included for illustrative purposes only and form no part of the claimed design.

1 Claim, 6 Drawing Sheets



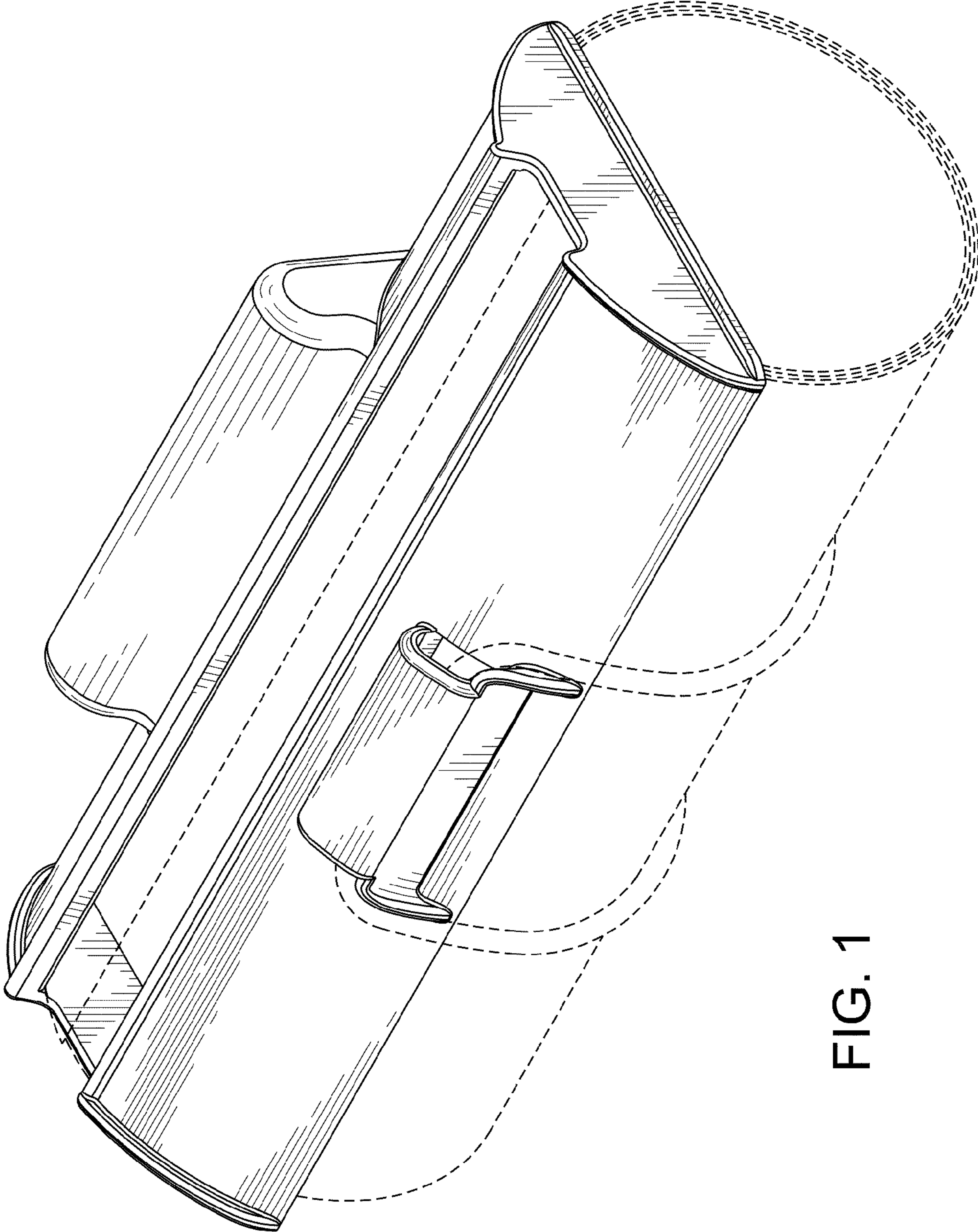


FIG. 1

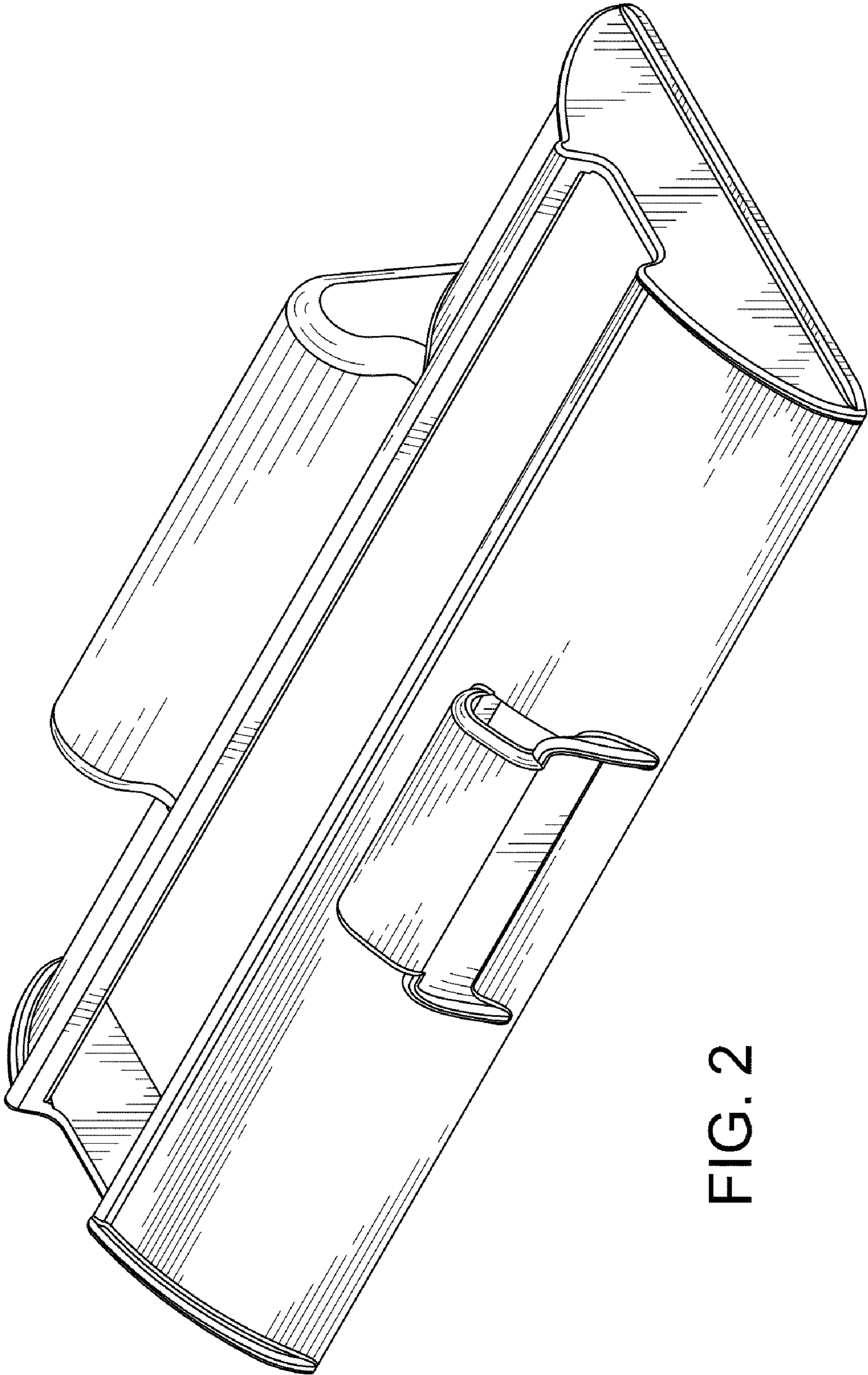


FIG. 2

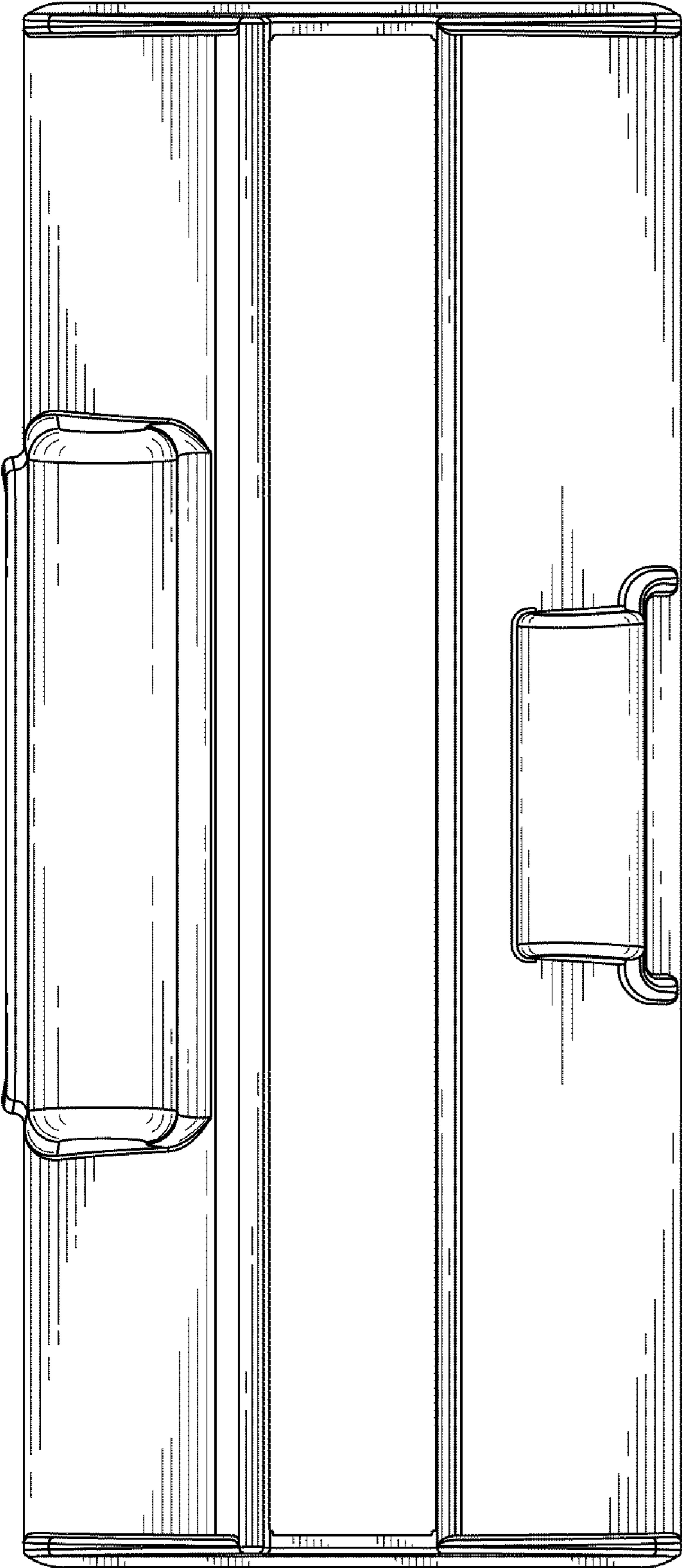


FIG. 3

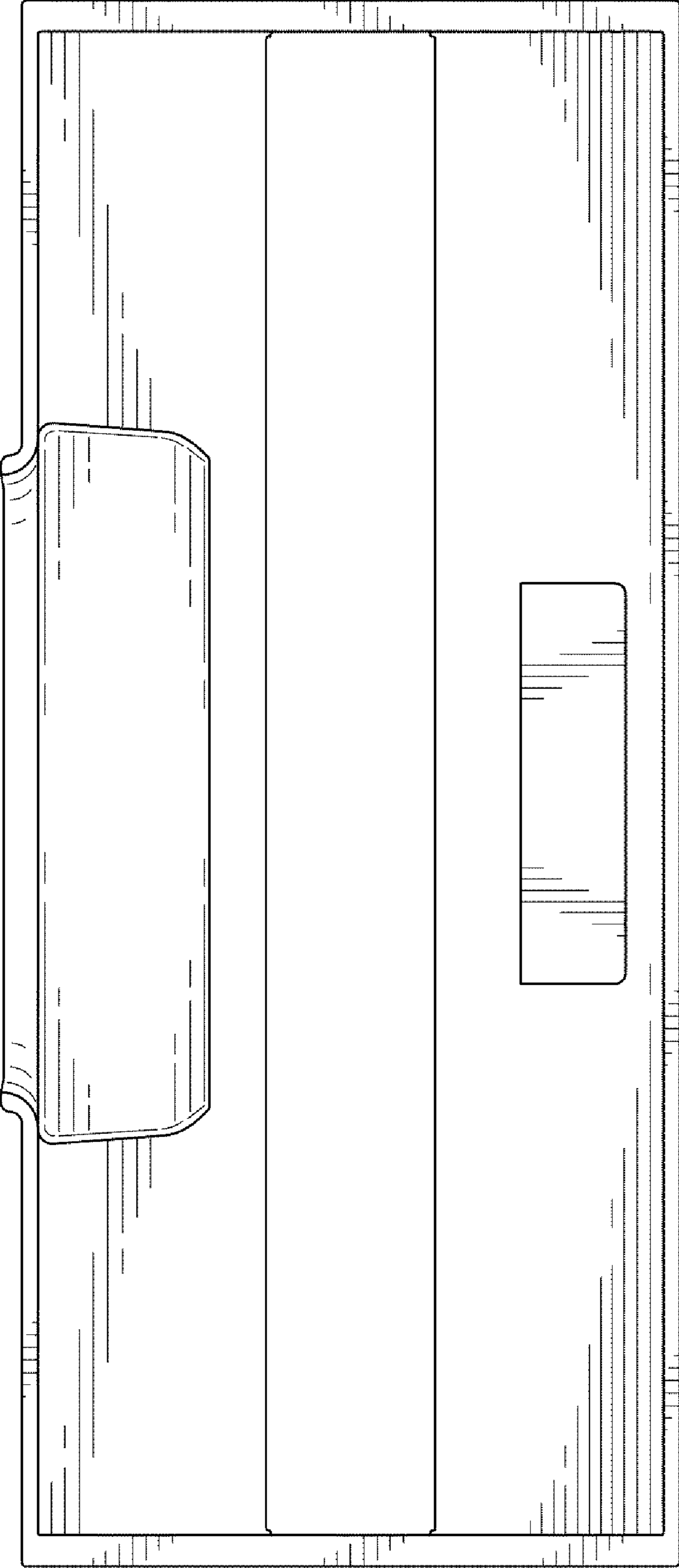


FIG. 4

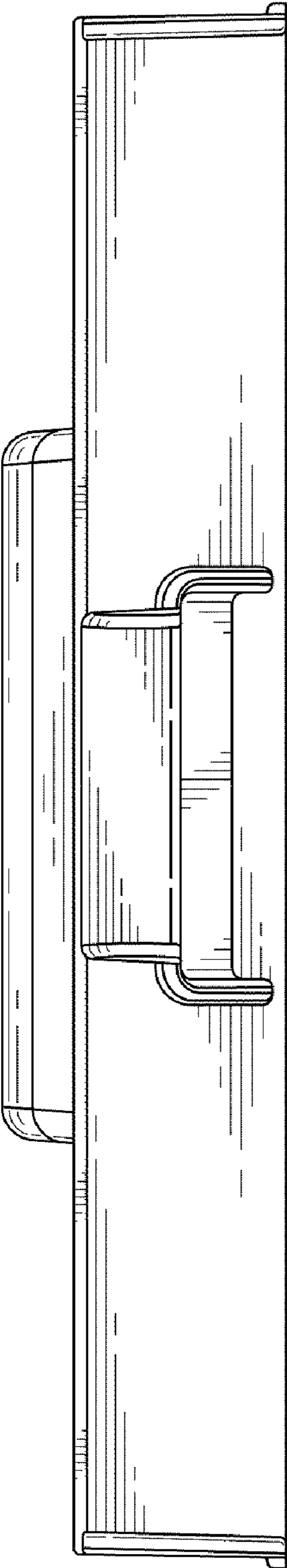


FIG. 5

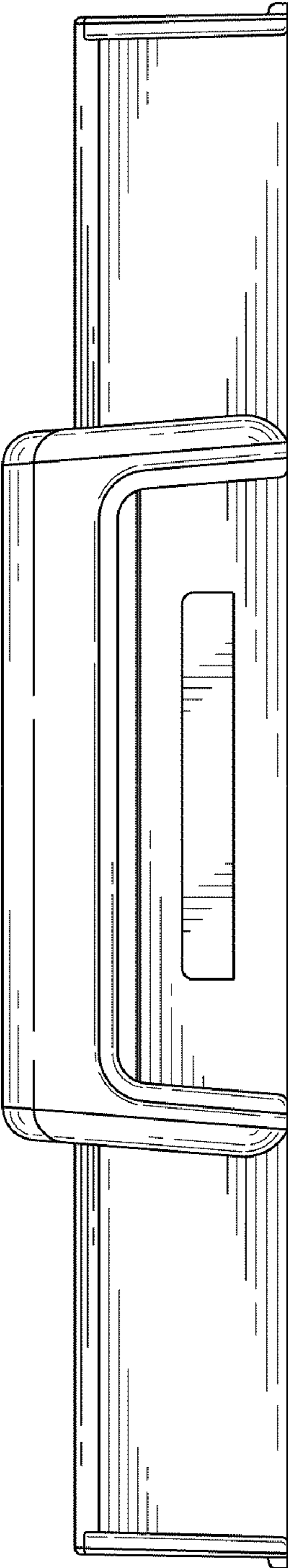


FIG. 6

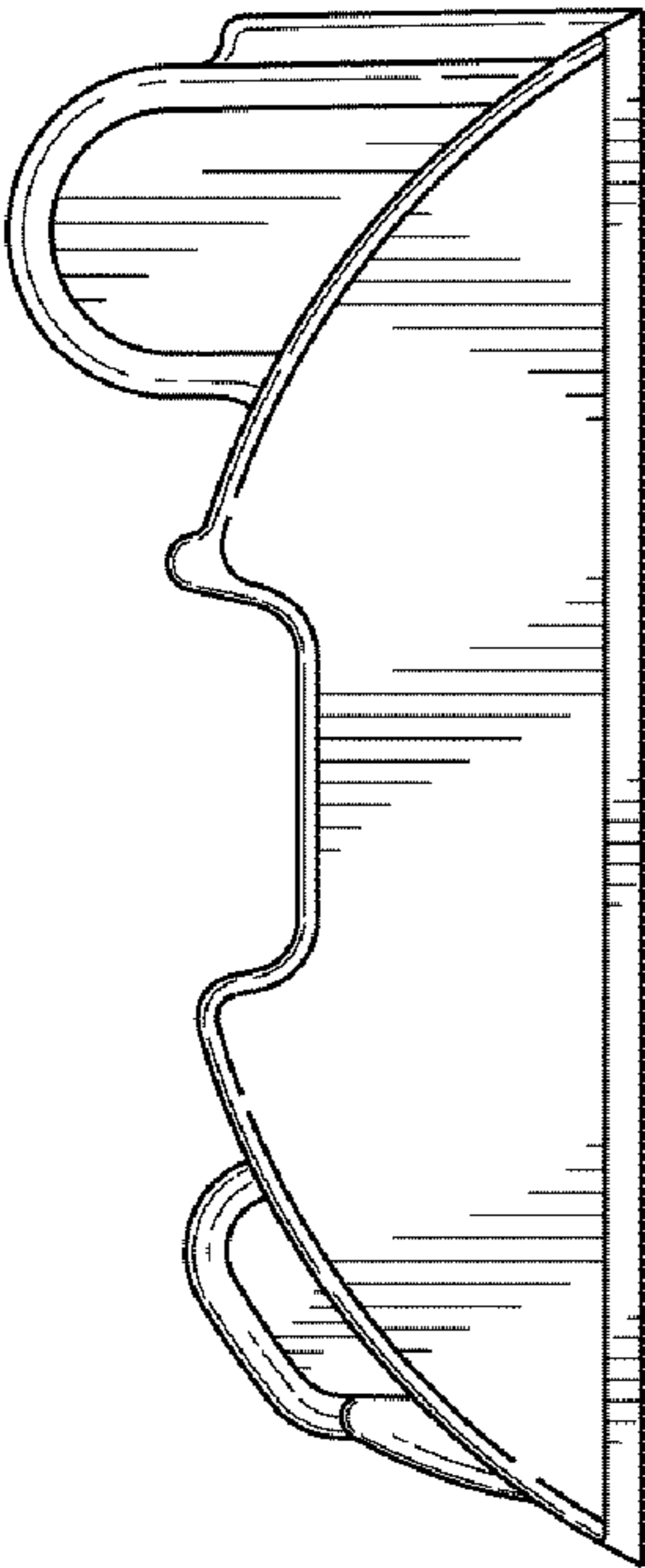


FIG. 7

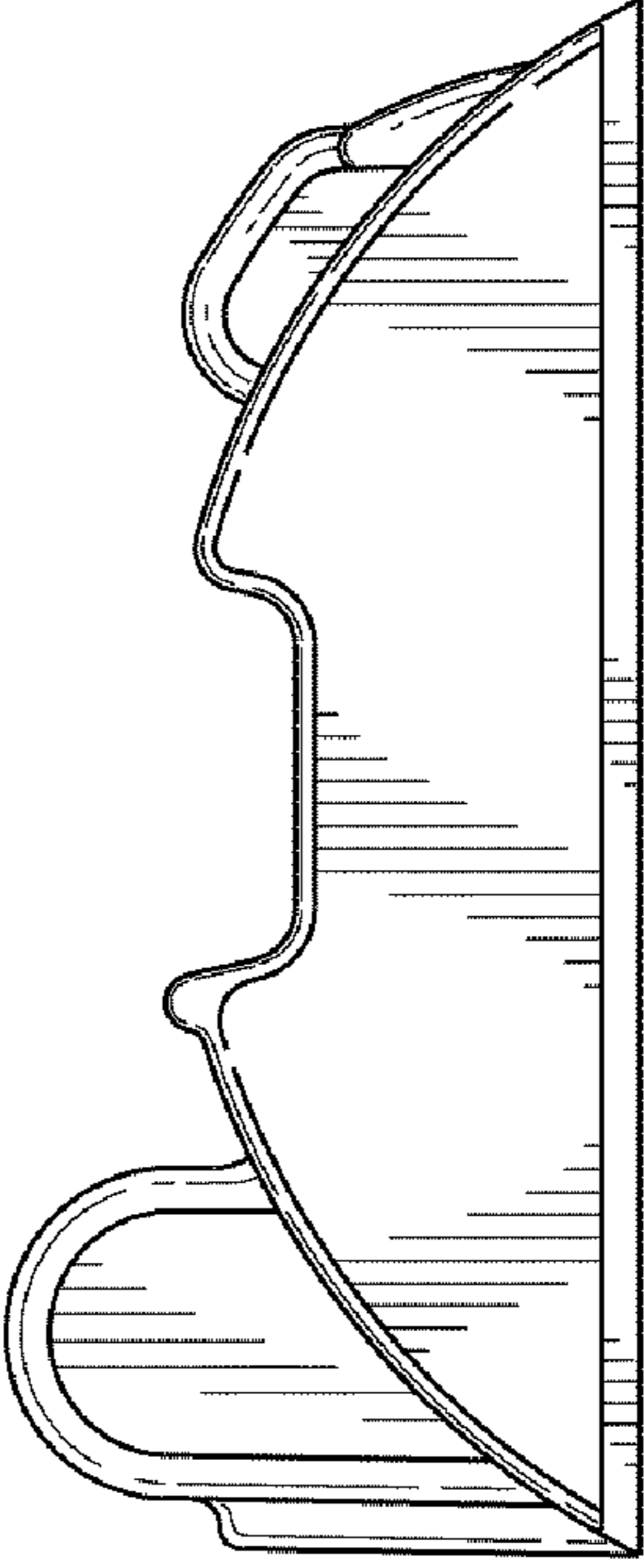


FIG. 8