



US00D653882S

(12) **United States Design Patent**  
**Ryan et al.**

(10) **Patent No.:** **US D653,882 S**  
(45) **Date of Patent:** **\*\* Feb. 14, 2012**

(54) **VEHICLE SEAT WITH BUMP**

(75) Inventors: **Howard Scott Ryan**, Skaneateles, NY (US); **Thomas W. Confer**, Greene, NY (US); **Gregory W. Smiley**, Greene, NY (US); **Douglas M. Russell**, Syracuse, NY (US); **David L. Fergot**, Syracuse, NY (US)

(73) Assignee: **The Raymond Corporation**, Greene, NY (US)

(\*\*) Term: **14 Years**

(21) Appl. No.: **29/327,815**

(22) Filed: **Nov. 13, 2008**

(51) **LOC (9) Cl.** ..... **06-01**

(52) **U.S. Cl.** ..... **D6/500; D6/356**

(58) **Field of Classification Search** ..... D6/334–336, D6/360–369, 374, 379–380, 498, 500–502, D6/595–598, 601; 264/46.7; 297/232, 353, 297/354.1, 391, 396, 284.4, 411.27, 452.13, 297/452.19, 452.21, 452.24, 452.26, 452.29, 297/452.32–452.33, 452.34, 452.35, 452.37, 297/452.48, 452.56, 452.64; D1/125–199; 5/630, 632, 633, 636, 637, 652

See application file for complete search history.

(56) **References Cited**

**U.S. PATENT DOCUMENTS**

D29,882	S	*	12/1898	Cross	.....	D1/129
3,449,012	A	*	6/1969	Georges	.....	297/403
4,535,495	A		8/1985	Oldfield		
4,572,578	A		2/1986	Perkins		
4,835,801	A		6/1989	Walpin et al.		
D308,613	S		6/1990	Clark et al.		
5,015,036	A	*	5/1991	Fergie	.....	297/397
D338,580	S	*	8/1993	Evans	.....	D6/502
5,237,713	A	*	8/1993	Prager	.....	5/722
5,295,728	A		3/1994	Schaevitz		
5,364,151	A		11/1994	Yurasits		

5,367,730	A	*	11/1994	Sher	.....	5/655
5,375,914	A		12/1994	Donnelly		
5,474,353	A		12/1995	Koester et al.		
D389,362	S	*	1/1998	Boulatian	.....	D6/608
5,788,015	A		8/1998	Seng et al.		
D406,486	S	*	3/1999	Ogilvie	.....	D6/596
D422,829	S	*	4/2000	Kritzinger	.....	D6/595
6,089,664	A		7/2000	Yoshida		
6,182,778	B1		2/2001	Henshaw et al.		
6,189,964	B1		2/2001	Henshaw et al.		

(Continued)

*Primary Examiner* — Zenia Bennett

(74) *Attorney, Agent, or Firm* — Quarles & Brady LLP

(57) **CLAIM**

The ornamental design for a vehicle seat with bump, as shown and described.

**DESCRIPTION**

FIG. 1 is a top, side perspective view of a vehicle seat with bump showing our new design with a seat bottom in a flipped down position;

FIG. 2 is a front elevation view of the vehicle seat with bump of FIG. 1;

FIG. 3 is a left side elevation view of the vehicle seat with bump of FIG. 1;

FIG. 4 is a right side elevation view of the vehicle seat with bump of FIG. 1;

FIG. 5 is a rear elevation view of the vehicle seat with bump of FIG. 1;

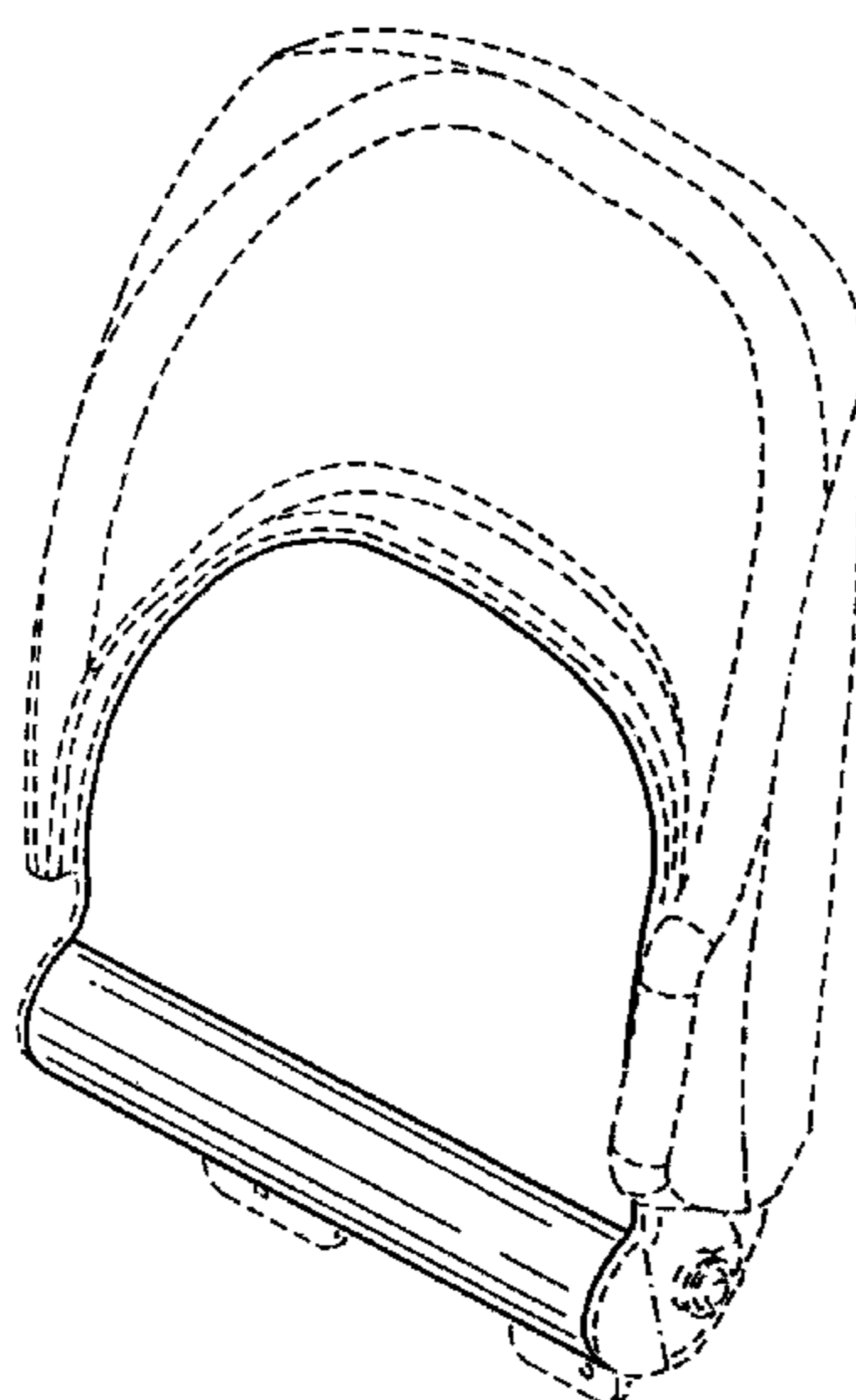
FIG. 6 is a bottom view of the vehicle seat with bump of FIG. 1.

FIG. 7 is a top view of the vehicle seat with bump of FIG. 1; and,

FIG. 8 is a top, side perspective view of a vehicle seat with bump showing the seat bottom in a flipped up position.

The broken line representations of items in FIGS. 1-8 are for purposes of illustration only, and form no part of the claimed design.

**1 Claim, 7 Drawing Sheets**



# US D653,882 S

Page 2

---

## U.S. PATENT DOCUMENTS

6,292,964	B1 *	9/2001	Rose et al. ....	5/630	7,100,991	B2	9/2006	Schroth	
6,324,710	B1 *	12/2001	Hernandez et al. ....	5/630	D543,125	S *	5/2007	Feibelman .....	D10/106.9
6,513,179	B1 *	2/2003	Pan .....	5/636	D547,077	S	7/2007	Cantrill et al.	
6,612,652	B1	9/2003	Tenenboym et al.		7,293,825	B2	11/2007	Vergara et al.	
6,694,550	B2 *	2/2004	Lee .....	5/632	D560,382	S *	1/2008	Brooks .....	D6/368
6,695,378	B2	2/2004	Hanagan		D631,226	S *	1/2011	Bearson et al. ....	D1/129
6,795,990	B1 *	9/2004	Hutchinson .....	5/632	2005/0093357	A1	5/2005	Takeda et al.	
6,877,176	B2 *	4/2005	Houghteling .....	5/655	2006/0232118	A1	10/2006	Cantrill	
6,969,114	B2	11/2005	Keilhauer		2007/0085393	A1	4/2007	Mochizuki et al.	
D514,274	S *	2/2006	Cumpton et al. ....	D1/121	2007/0096526	A1	5/2007	Hentges	

\* cited by examiner

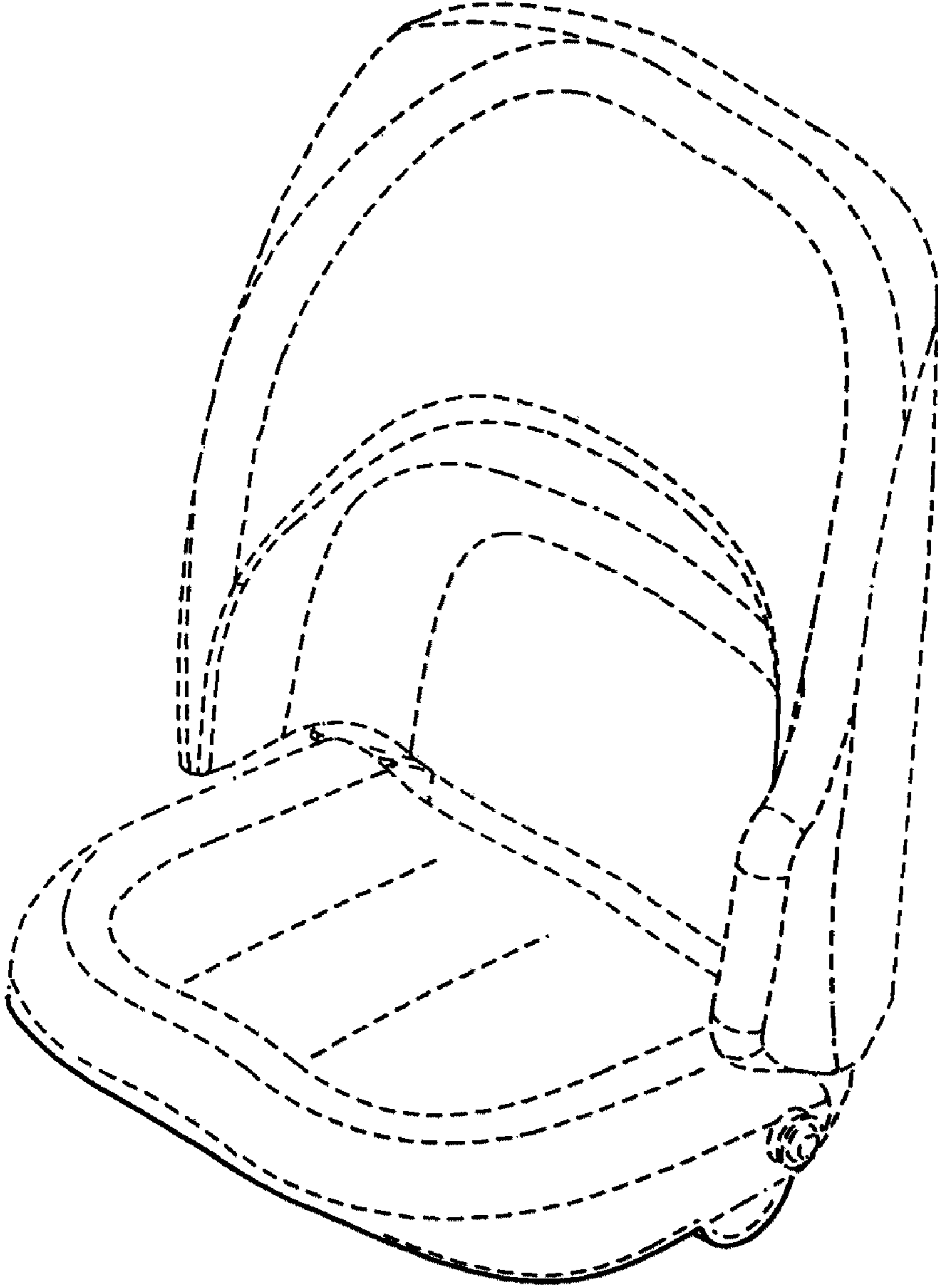


FIG. 1

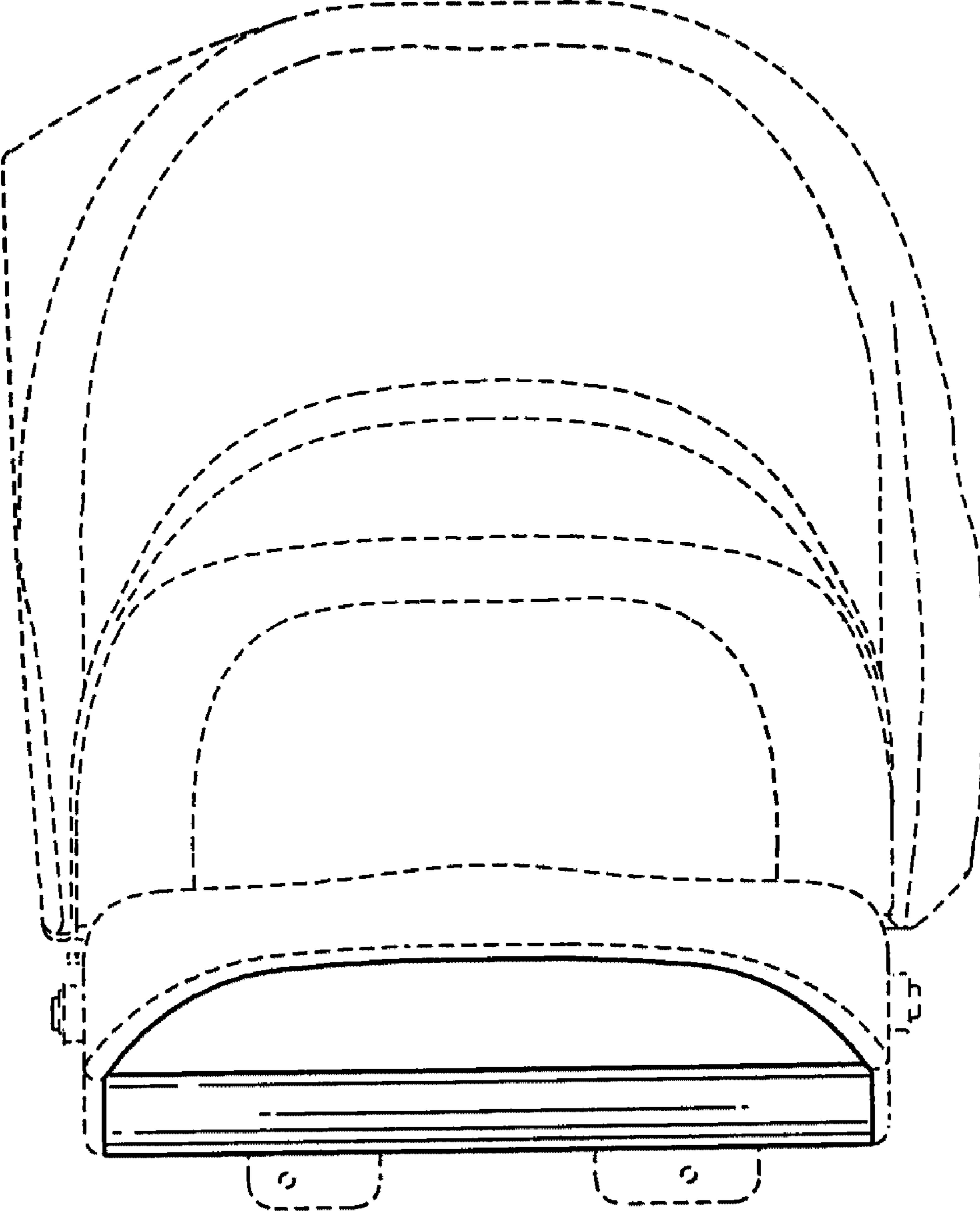


FIG. 2

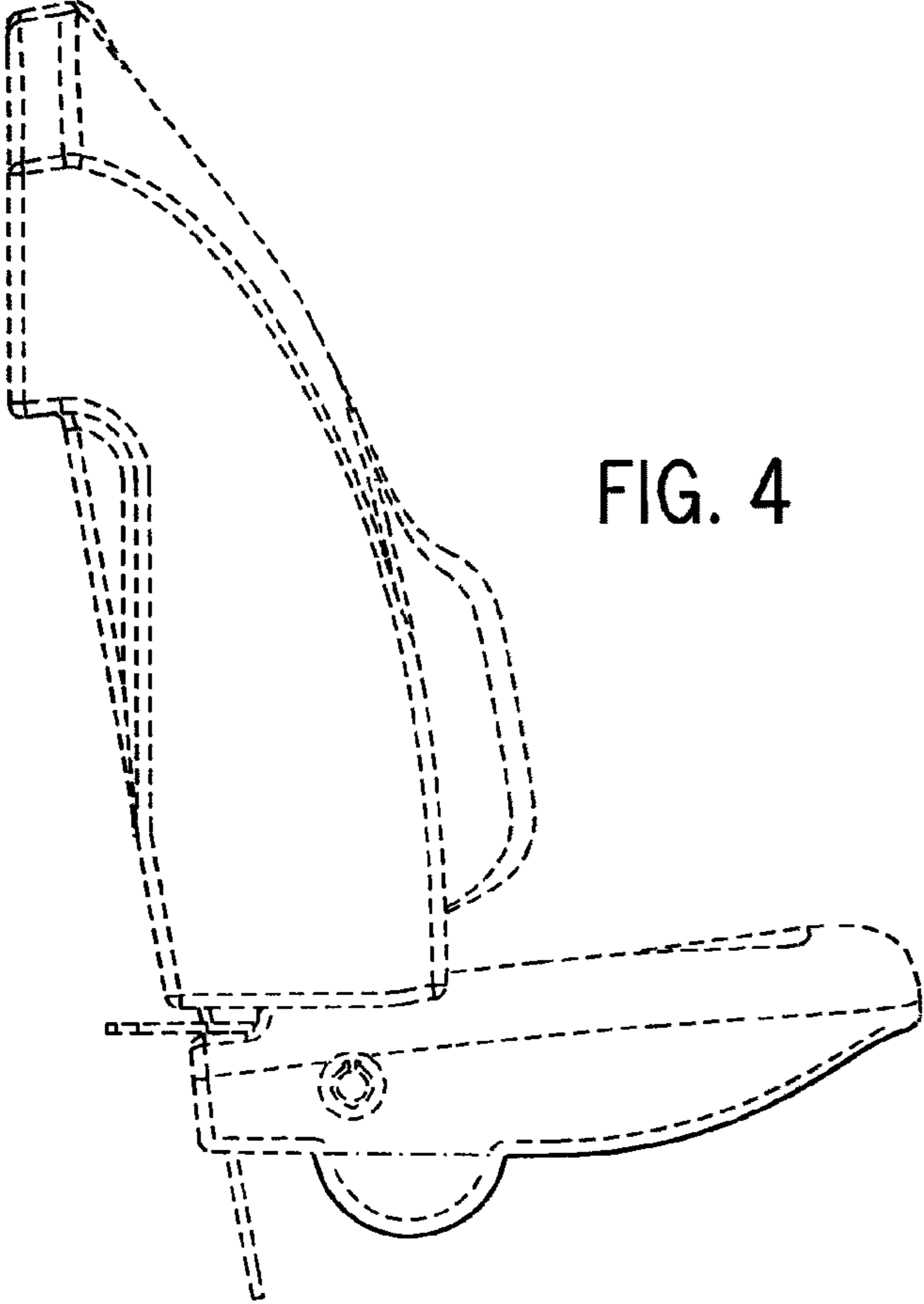
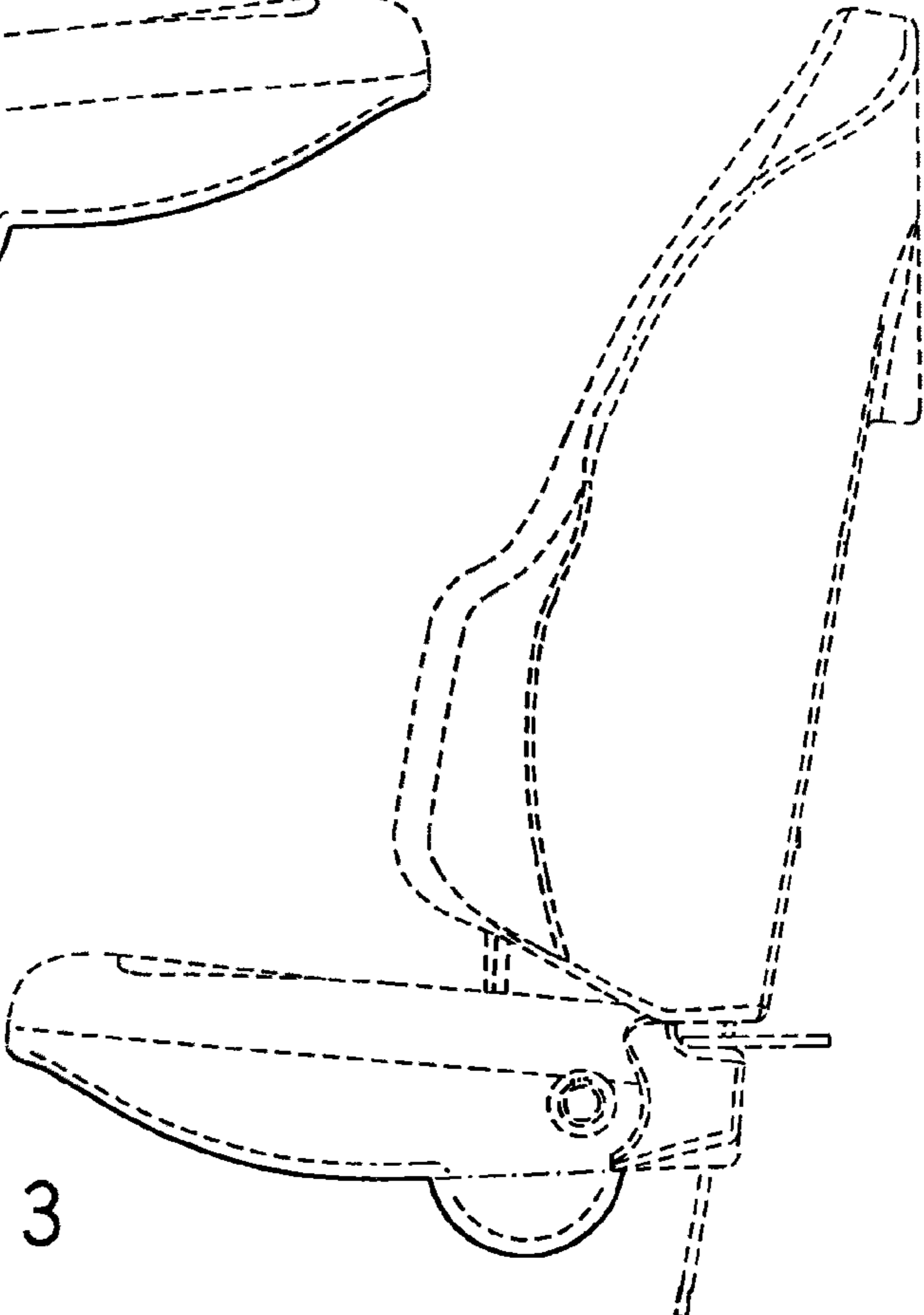


FIG. 4

FIG. 3



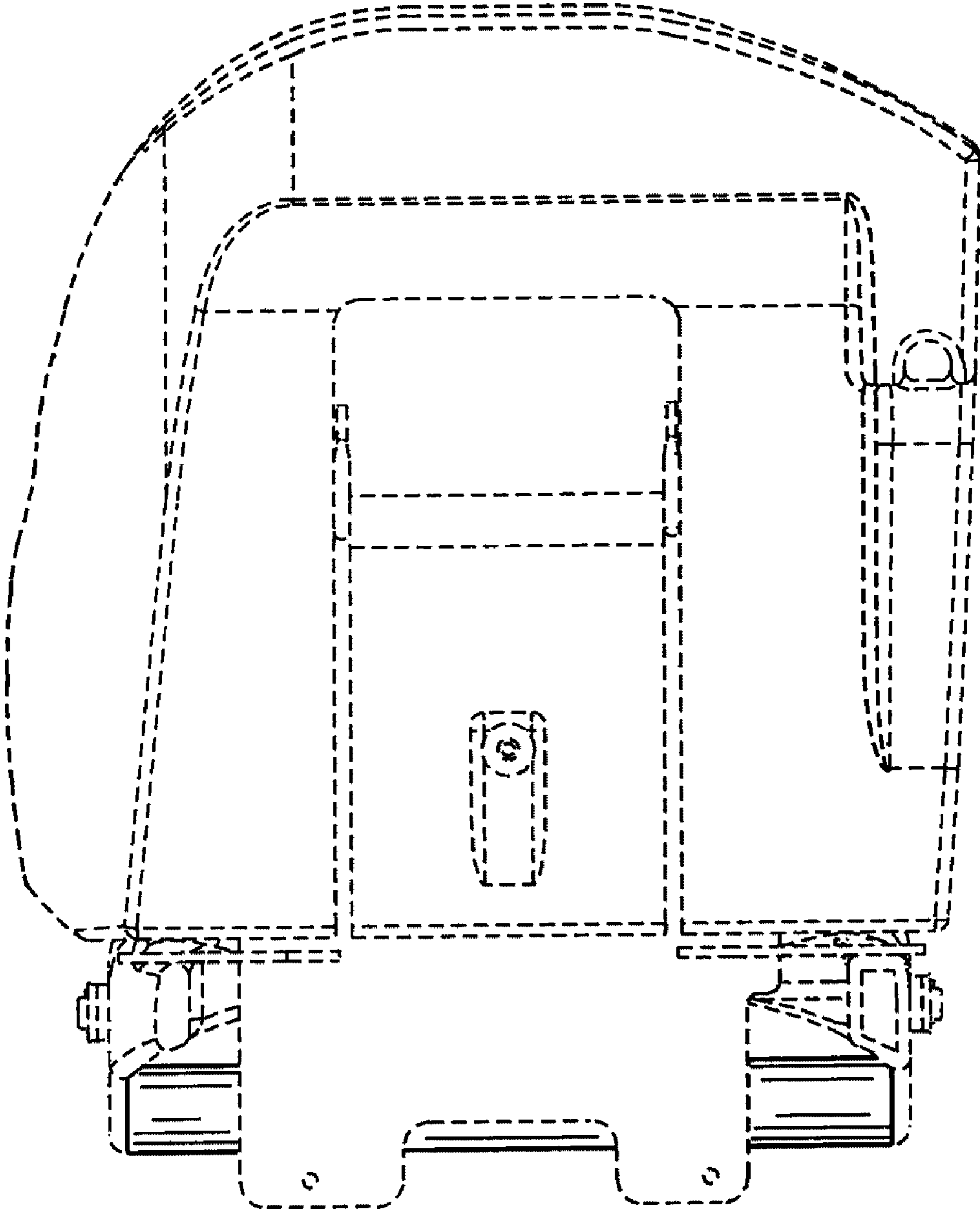


FIG. 5

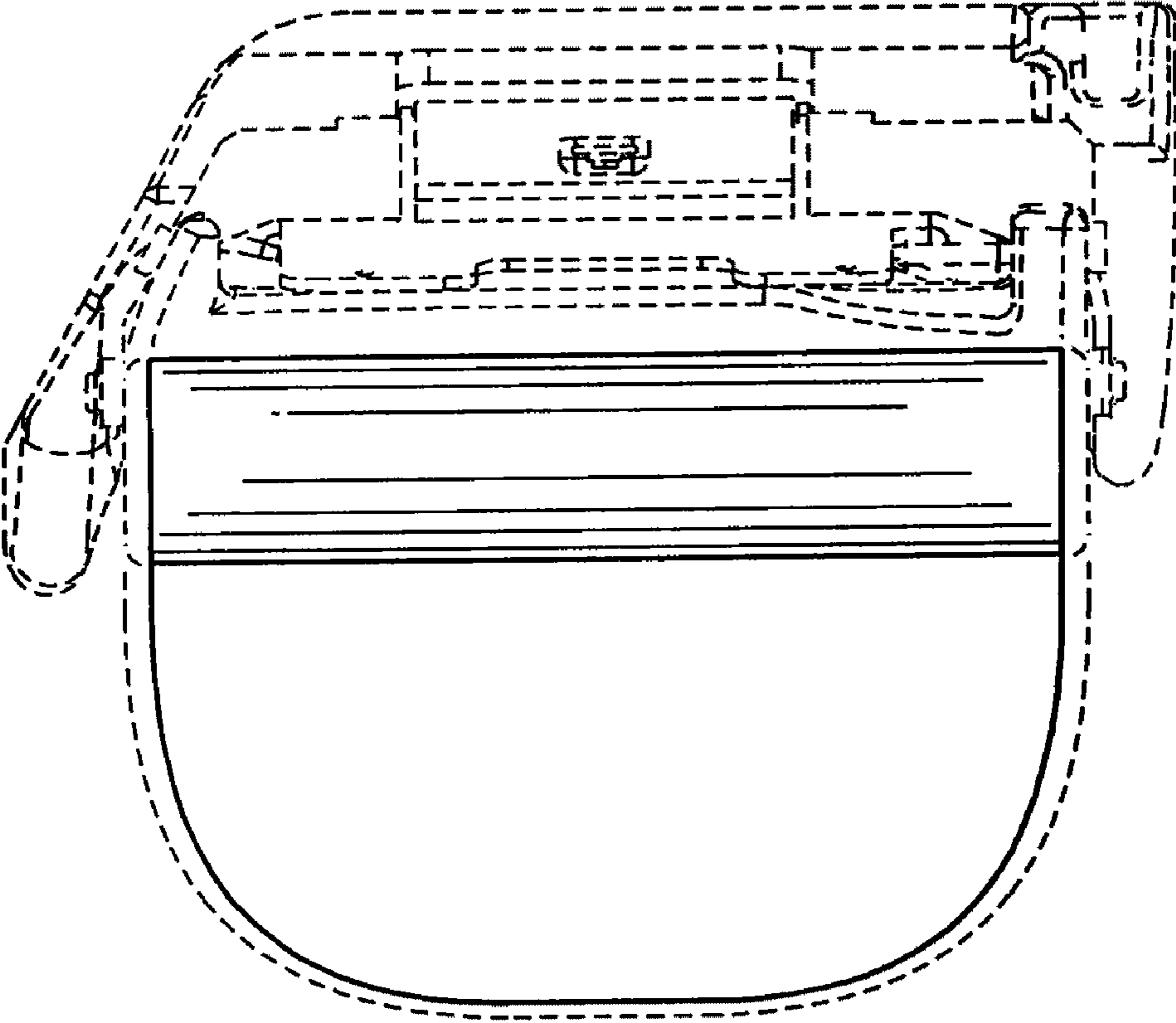


FIG. 6

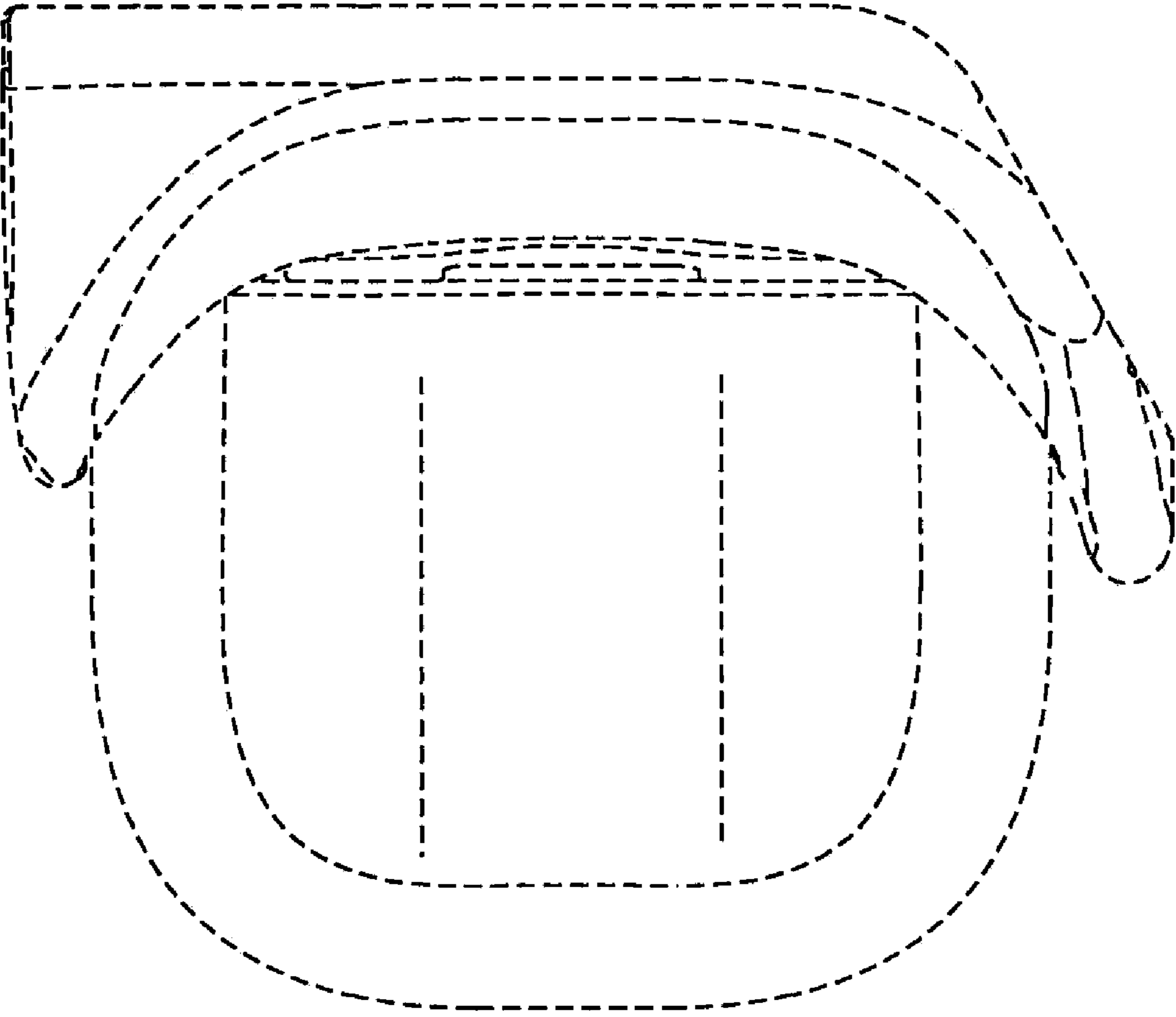


FIG. 7



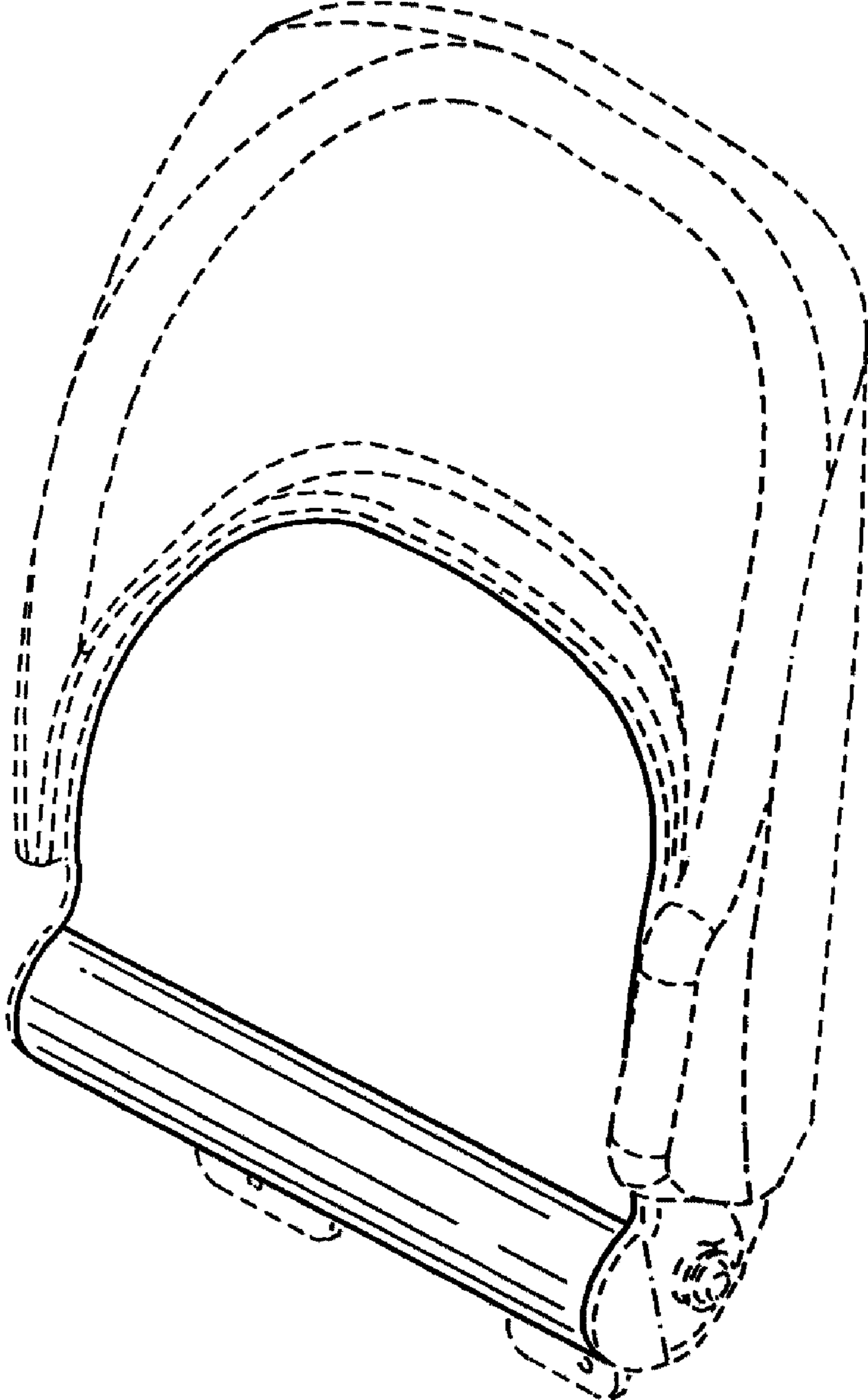


FIG. 8