



US00D653881S

(12) **United States Design Patent**  
**Korb**

(10) **Patent No.:** **US D653,881 S**

(45) **Date of Patent:** **\*\* Feb. 14, 2012**

(54) **SUPPORT LEG**

(75) Inventor: **Daniel Korb**, Baden (CH)

(73) Assignee: **DSA International, Inc.**, Zeeland, MI (US)

(\*\*) Term: **14 Years**

(21) Appl. No.: **29/380,450**

(22) Filed: **Dec. 6, 2010**

(51) **LOC (9) Cl.** ..... **06-06**

(52) **U.S. Cl.** ..... **D6/495**

(58) **Field of Classification Search** ..... D6/480-489,  
D6/495-499, 429-431, 374, 379; 108/150,  
108/153.1, 155, 156, 161; 248/188, 188.1,  
248/188.8

See application file for complete search history.

(56) **References Cited**

**U.S. PATENT DOCUMENTS**

56,986	A	8/1866	Oppenheimer	248/188
297,931	A	4/1884	Groebl	248/188
D48,739	S *	3/1916	Sommerville	D6/457
1,176,797	A	3/1916	Walker	126/40
1,520,518	A	12/1924	Thomason	108/64
1,645,421	A	10/1927	Edward	248/188
2,020,503	A	11/1935	Hanson	248/188.5
2,143,542	A	1/1939	Clarín	248/188
2,157,955	A	5/1939	Hallowell	248/188.1
2,403,338	A	7/1946	Guy	108/64
2,485,172	A	10/1949	Roy	403/219
D179,868	S	3/1957	Trautvetter	D06/495
2,819,937	A	1/1958	Bullock	108/64
2,848,289	A	8/1958	Page	52/584.1
2,873,035	A	2/1959	Unis	108/186
2,899,165	A	8/1959	James	248/188.8
2,913,207	A	11/1959	Eash	248/148
3,036,657	A	5/1962	Ladue	182/224
3,081,841	A	3/1963	Mauro	182/224
3,241,885	A	3/1966	Deaton	297/440.14
3,295,472	A	1/1967	Larson	108/147.18
3,299,840	A	1/1967	Richard	108/157.1
3,592,143	A *	7/1971	Krone	108/115
D224,873	S *	10/1972	Martini	D6/484
4,126,289	A	11/1978	Uhlig	248/188.1
4,313,586	A	2/1982	Grzesnikowski	248/188.4
4,334,623	A *	6/1982	Geary	211/85.29
4,409,906	A	10/1983	Alneng	514/356
4,860,667	A *	8/1989	Cardenas et al.	108/115

4,879,800	A	11/1989	Rumman	29/450
D305,842	S *	2/1990	Herr	D6/480
5,425,520	A	6/1995	Masumoto	248/247
D428,283	S	7/2000	Zaidman	D06/495
D472,408	S	4/2003	Carroll	D06/495
D476,175	S *	6/2003	Jackson	D6/484
2002/0166482	A1	11/2002	Goldberg	106/64
2004/0178306	A1	9/2004	Hallberg	248/188.5

**OTHER PUBLICATIONS**

Pfeiffer, Eric. Crate and Barrel "Fold Desk" Aug. 26, 2010.

\* cited by examiner

*Primary Examiner* — Janice Seeger

(74) *Attorney, Agent, or Firm* — Dowell Baker, P.C.

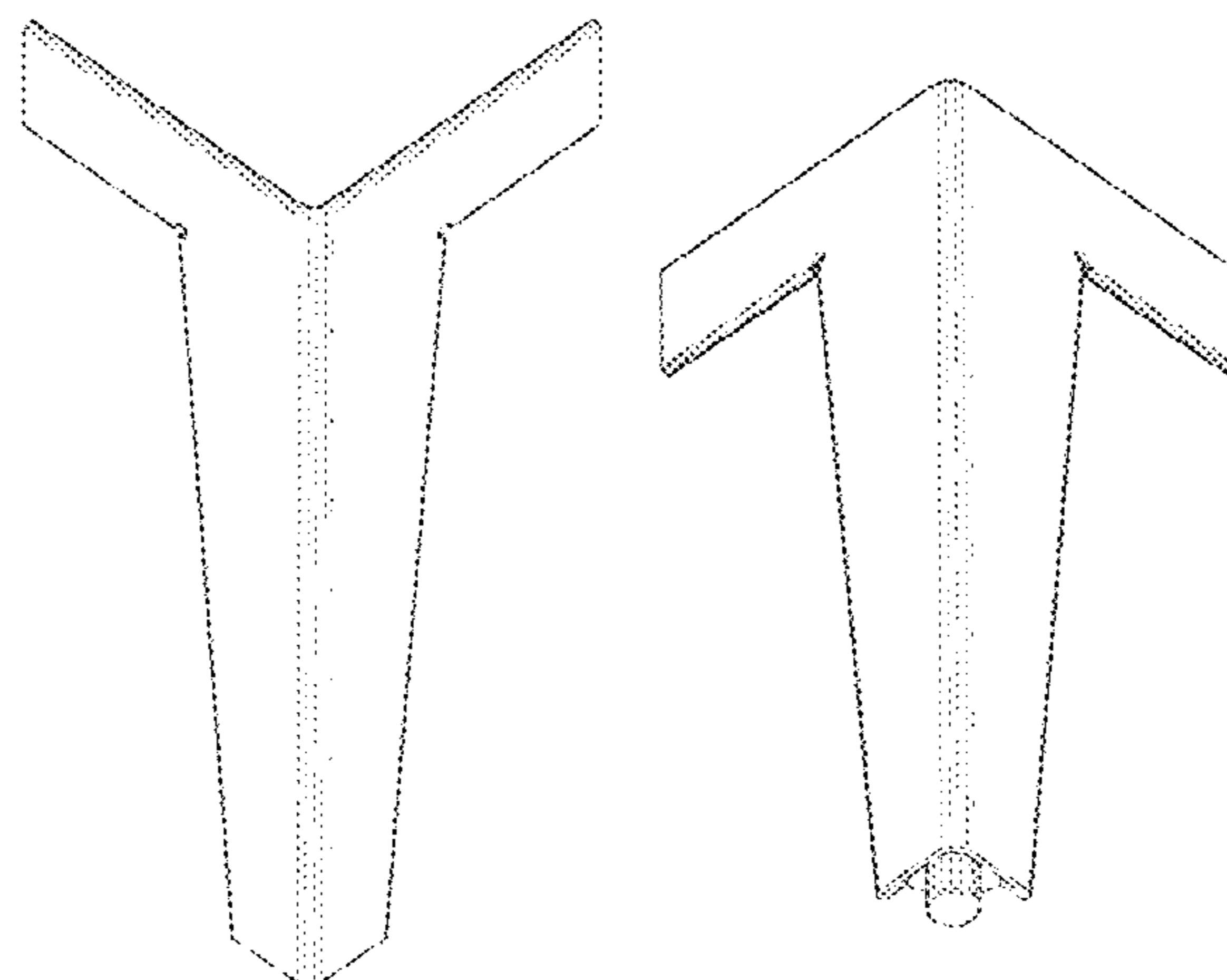
(57) **CLAIM**

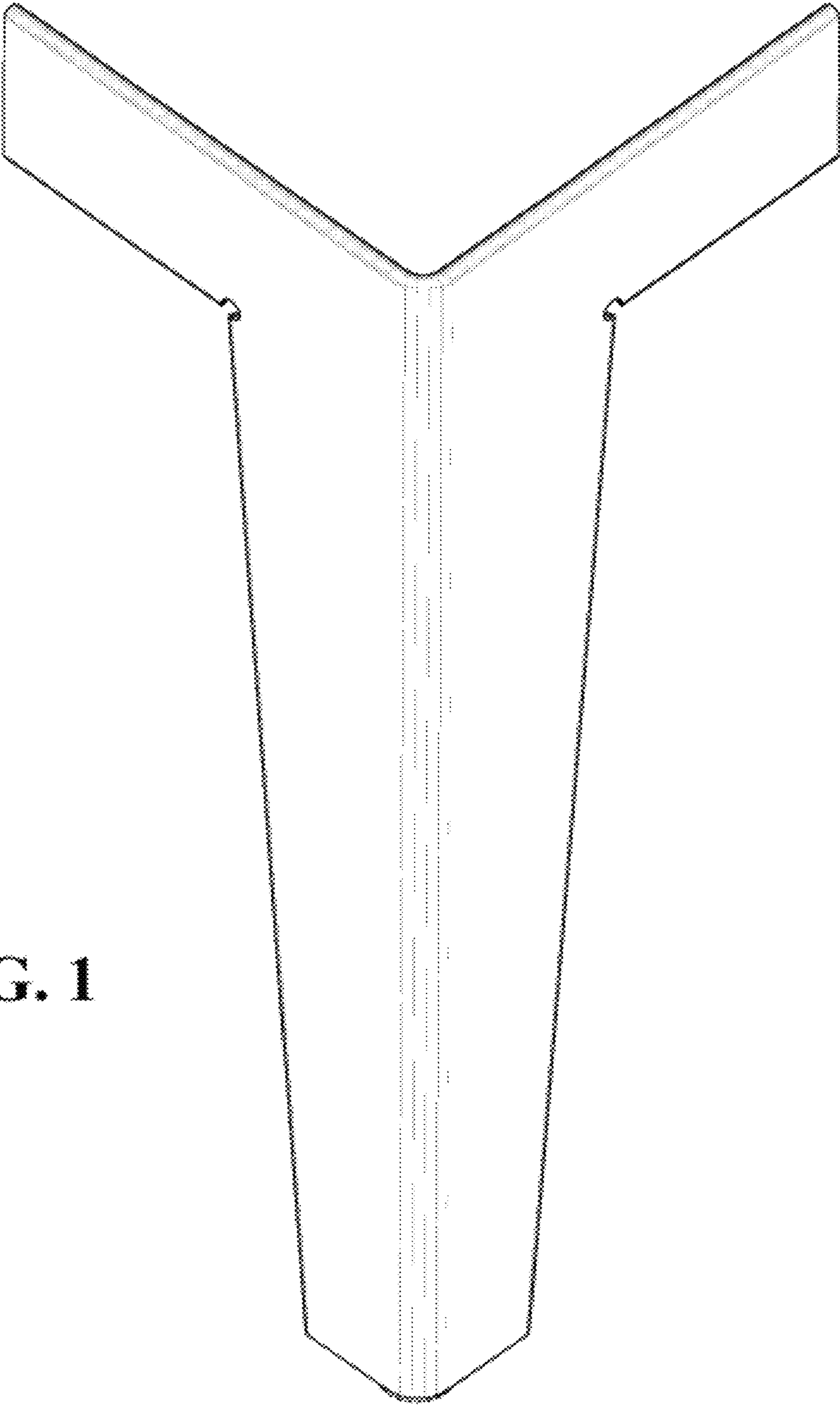
The ornamental design for a support leg, as shown and described.

**DESCRIPTION**

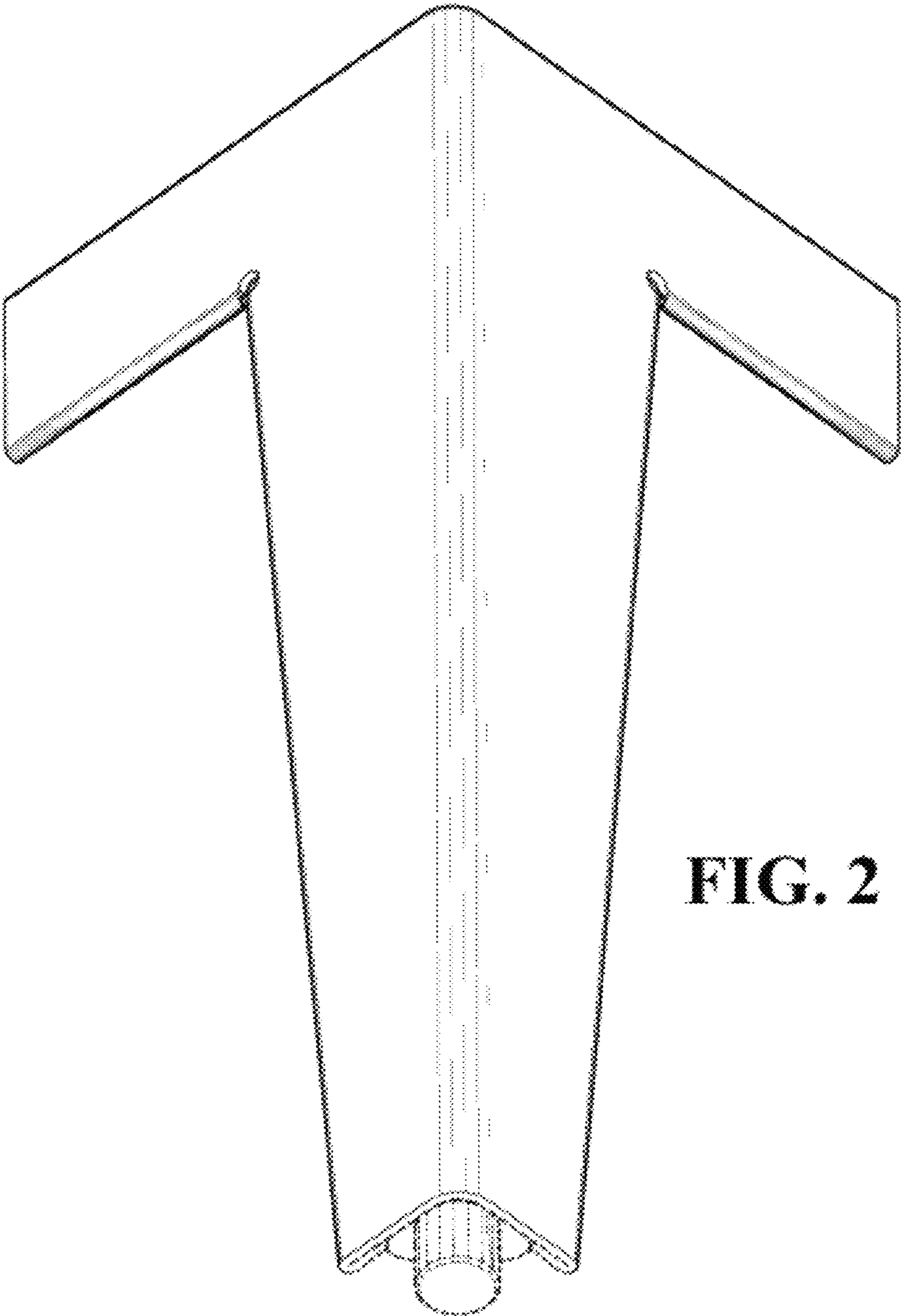
FIG. 1 is an upper perspective view of a support leg, showing my new design;  
 FIG. 2 is a lower perspective view thereof;  
 FIG. 3 is a lower side perspective view thereof;  
 FIG. 4 is an interior lower side perspective view thereof;  
 FIG. 5 is a partial side elevational view thereof;  
 FIG. 6 is a bottom plan view thereof;  
 FIG. 7 is a side perspective view thereof;  
 FIG. 8 is a side elevational view thereof;  
 FIG. 9 is an upper side perspective view thereof;  
 FIG. 10 is a second side elevational view thereof;  
 FIG. 11 is an upper side perspective view thereof;  
 FIG. 12 is an upper perspective view of a support leg, showing a second embodiment of my new design;  
 FIG. 13 is a lower perspective view thereof;  
 FIG. 14 is a lower side perspective view thereof;  
 FIG. 15 is an interior lower side perspective view thereof;  
 FIG. 16 is a partial side elevational view thereof;  
 FIG. 17 is a bottom plan view thereof;  
 FIG. 18 is a side perspective view thereof;  
 FIG. 19 is a side elevational view thereof;  
 FIG. 20 is an upper side perspective view thereof;  
 FIG. 21 is a second side elevational view thereof; and,  
 FIG. 22 is an upper side perspective view thereof.  
 The broken lines shown in the figures are for illustrative purposes only and form no part of the claimed design.

**1 Claim, 20 Drawing Sheets**

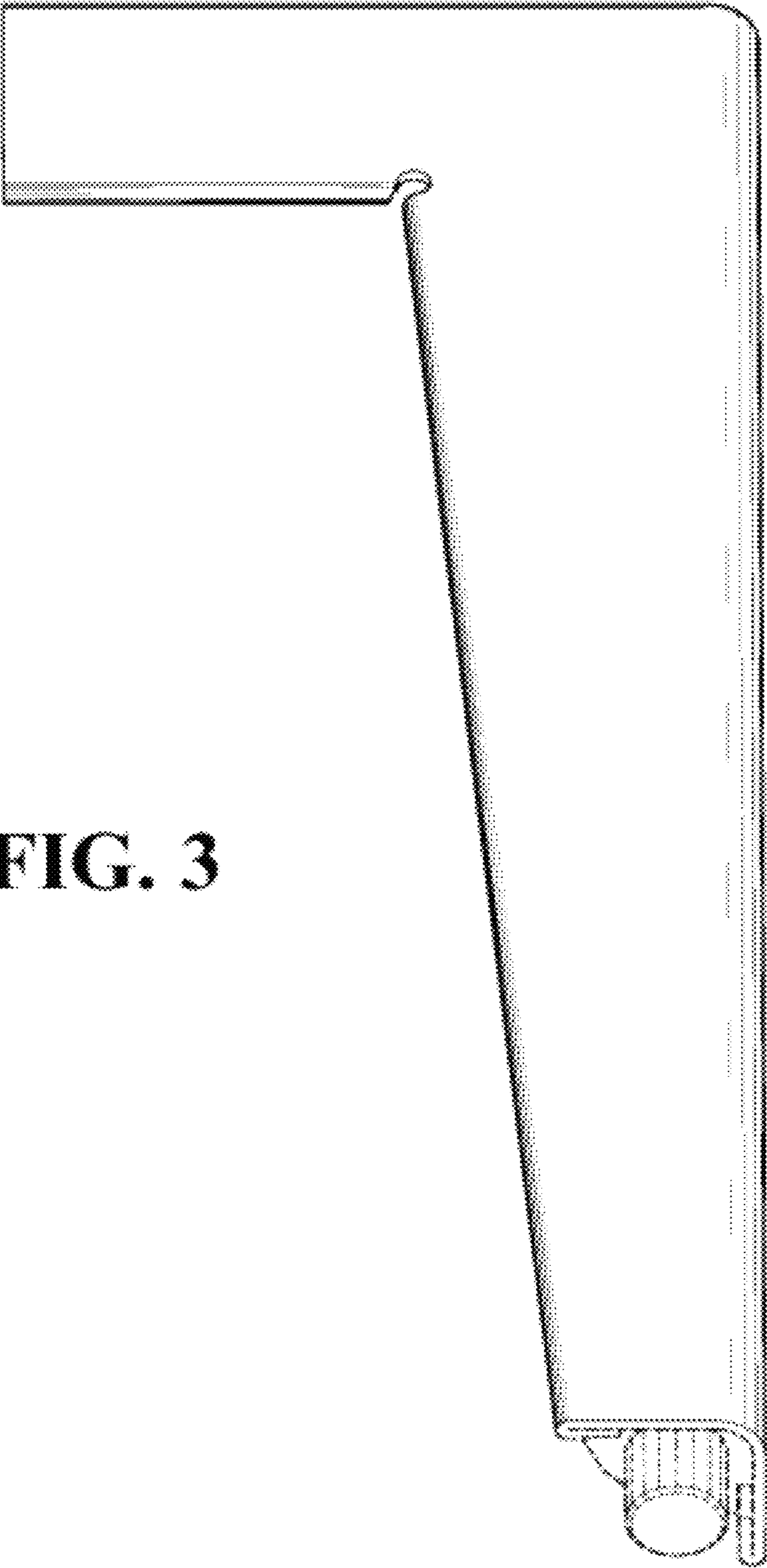




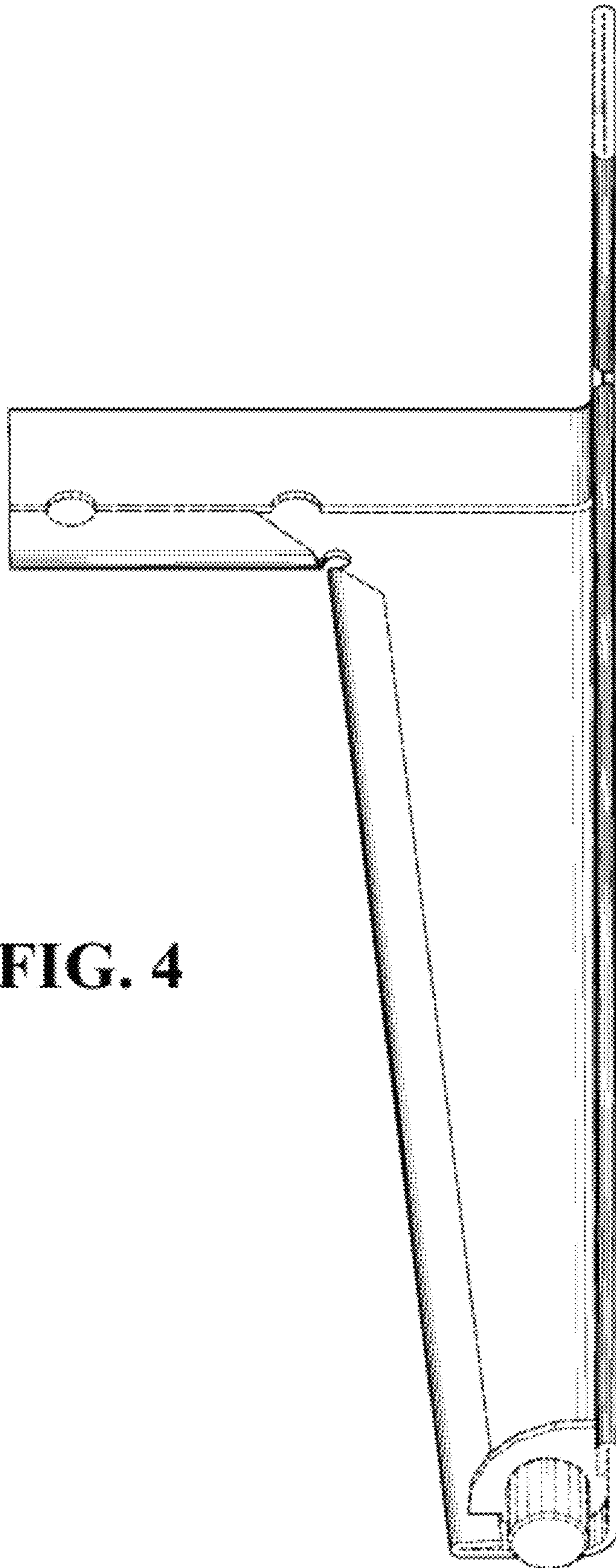
**FIG. 1**



**FIG. 2**

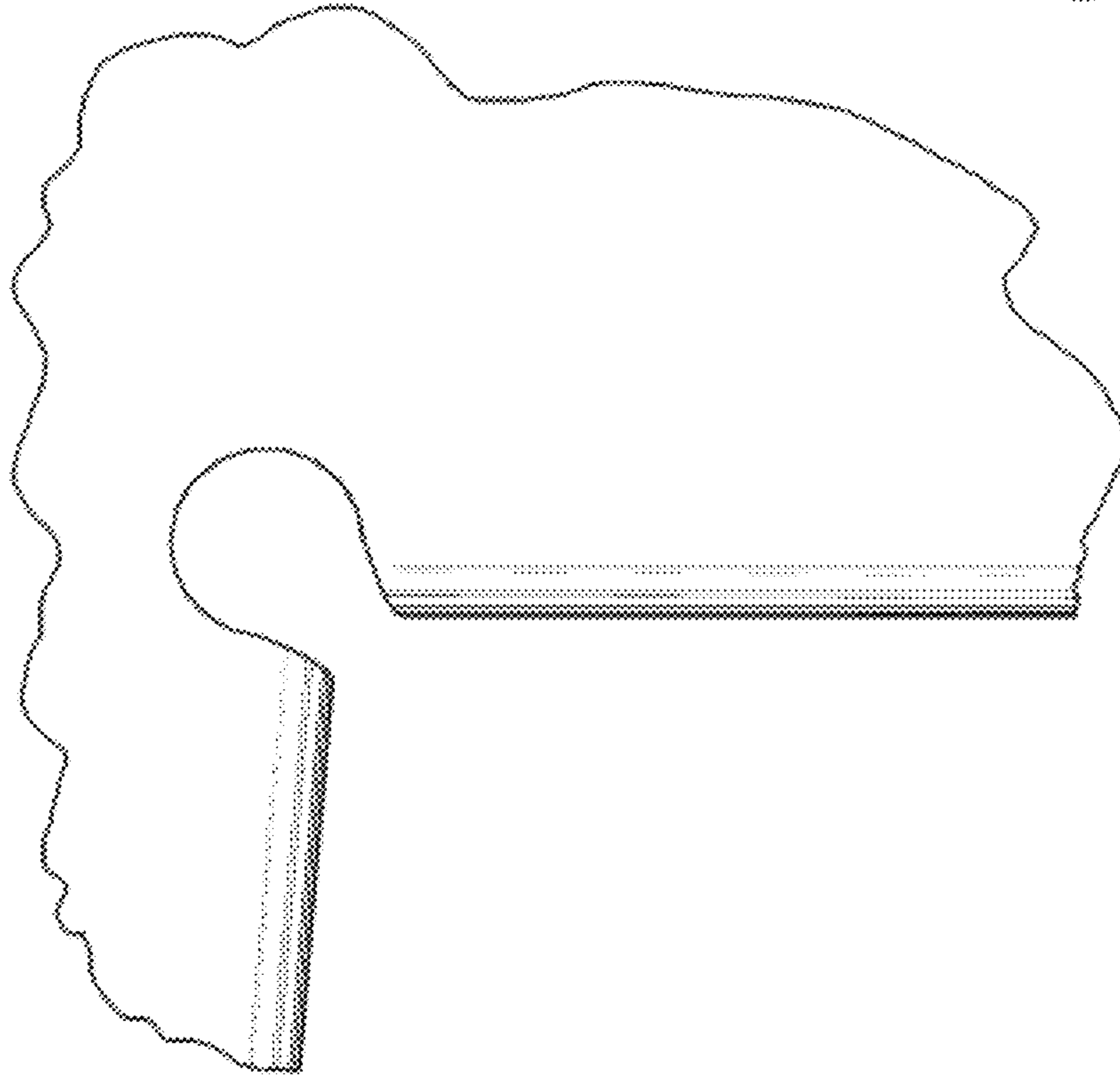


**FIG. 3**

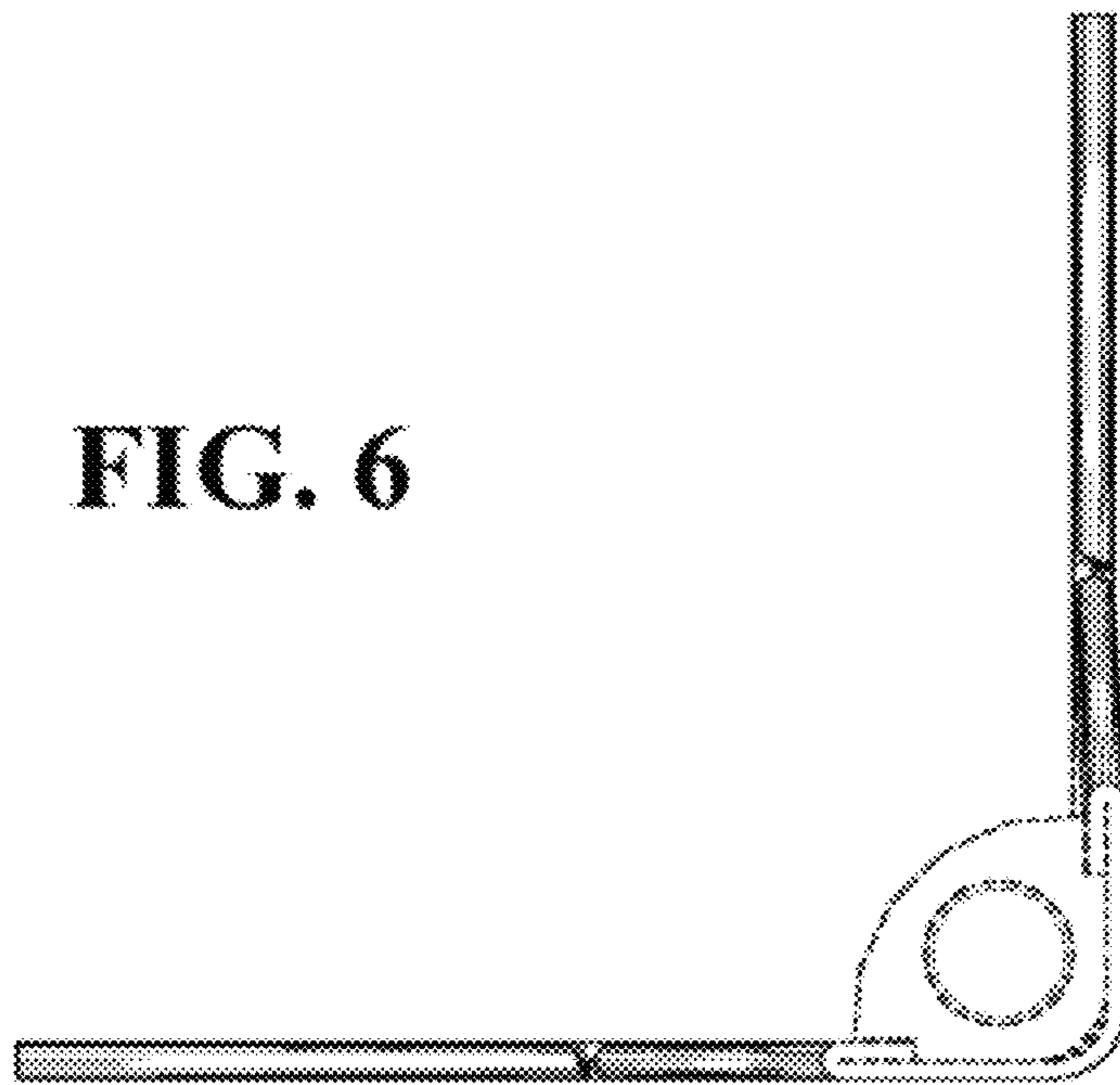


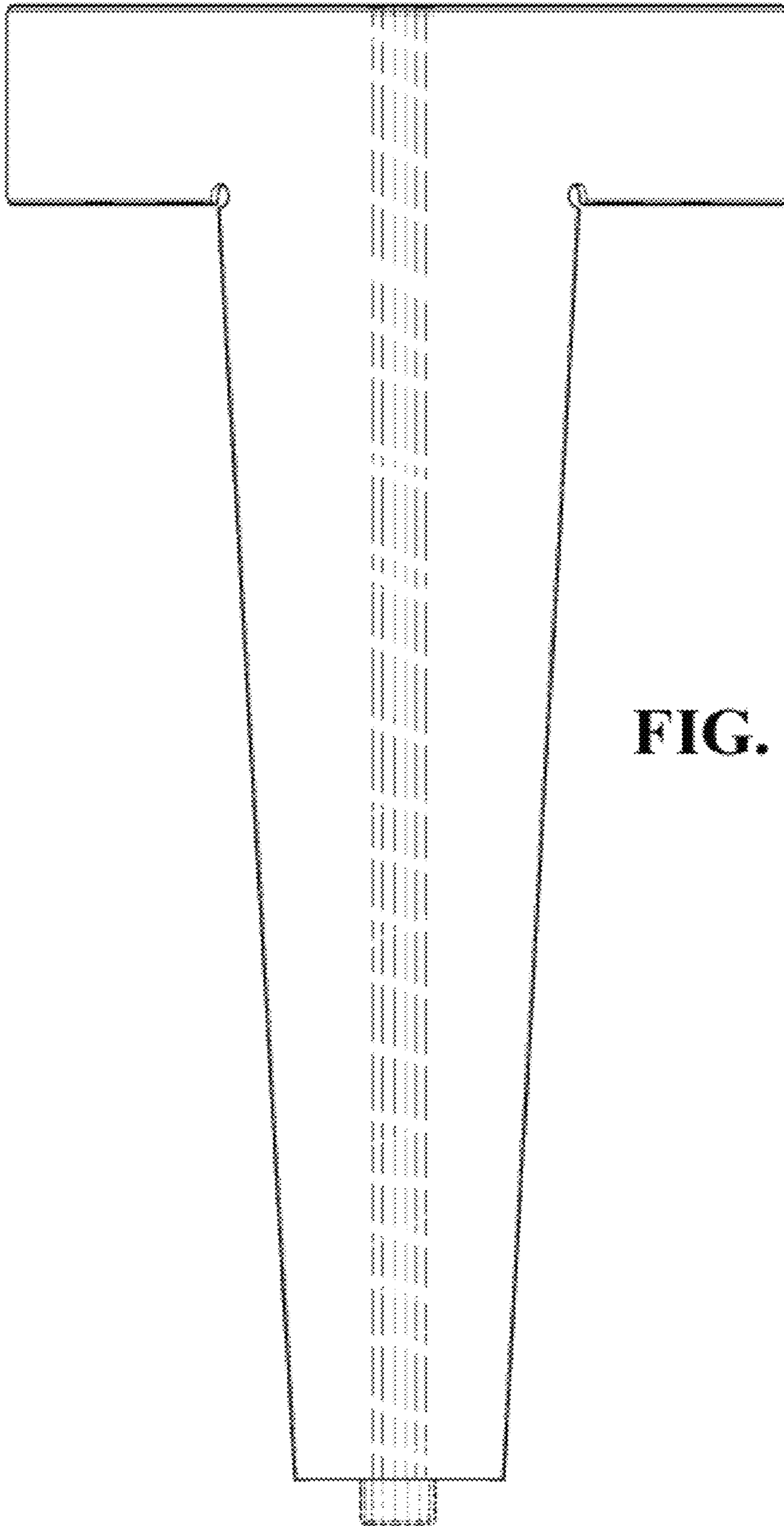
**FIG. 4**

**FIG. 5**

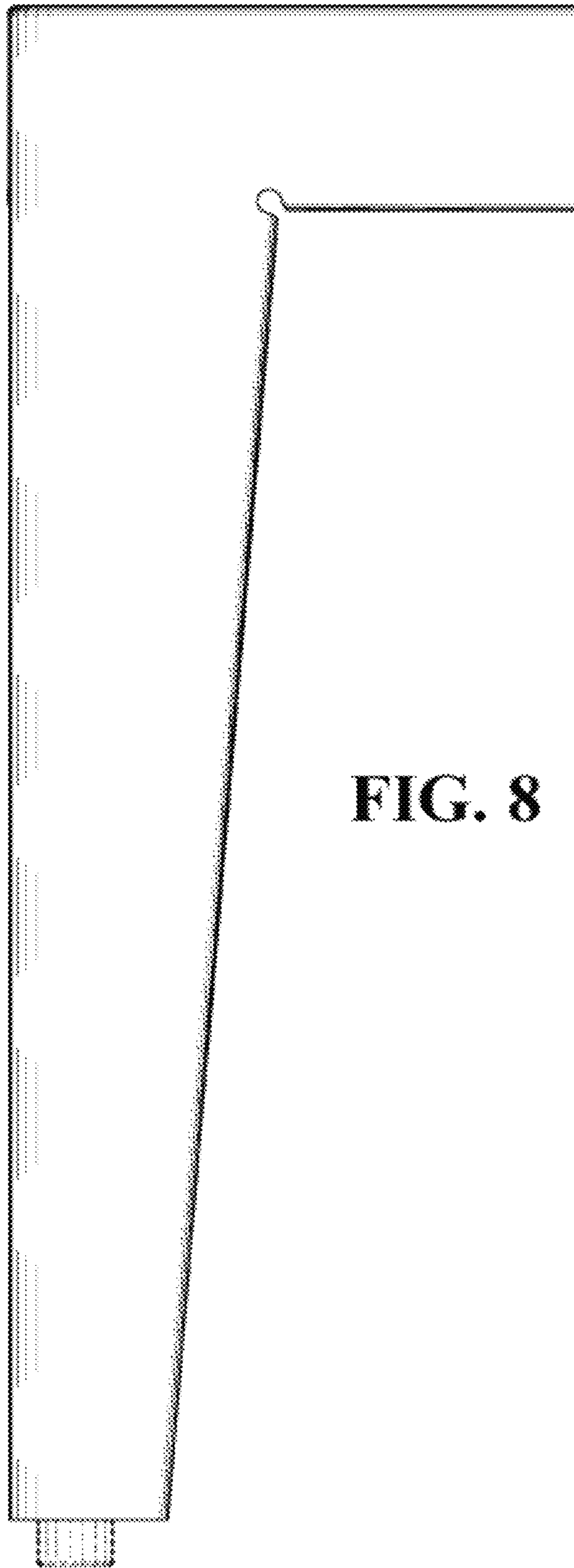


**FIG. 6**



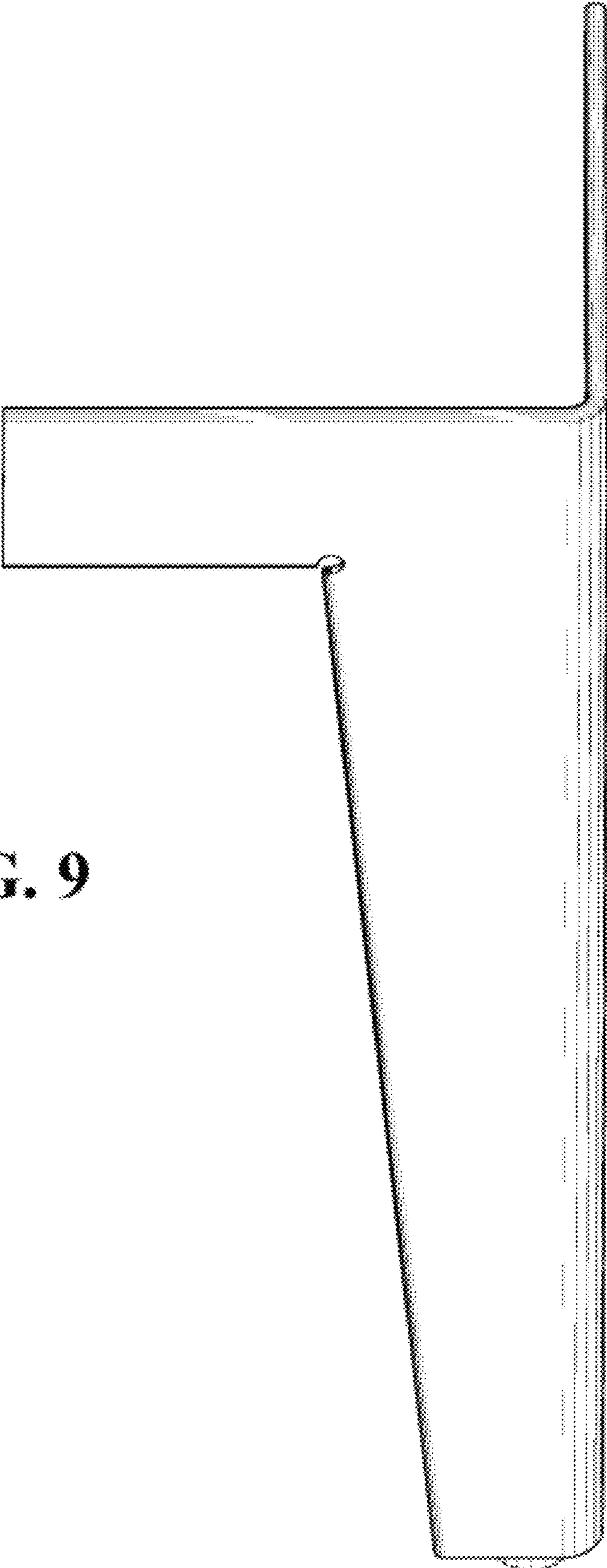


**FIG. 7**

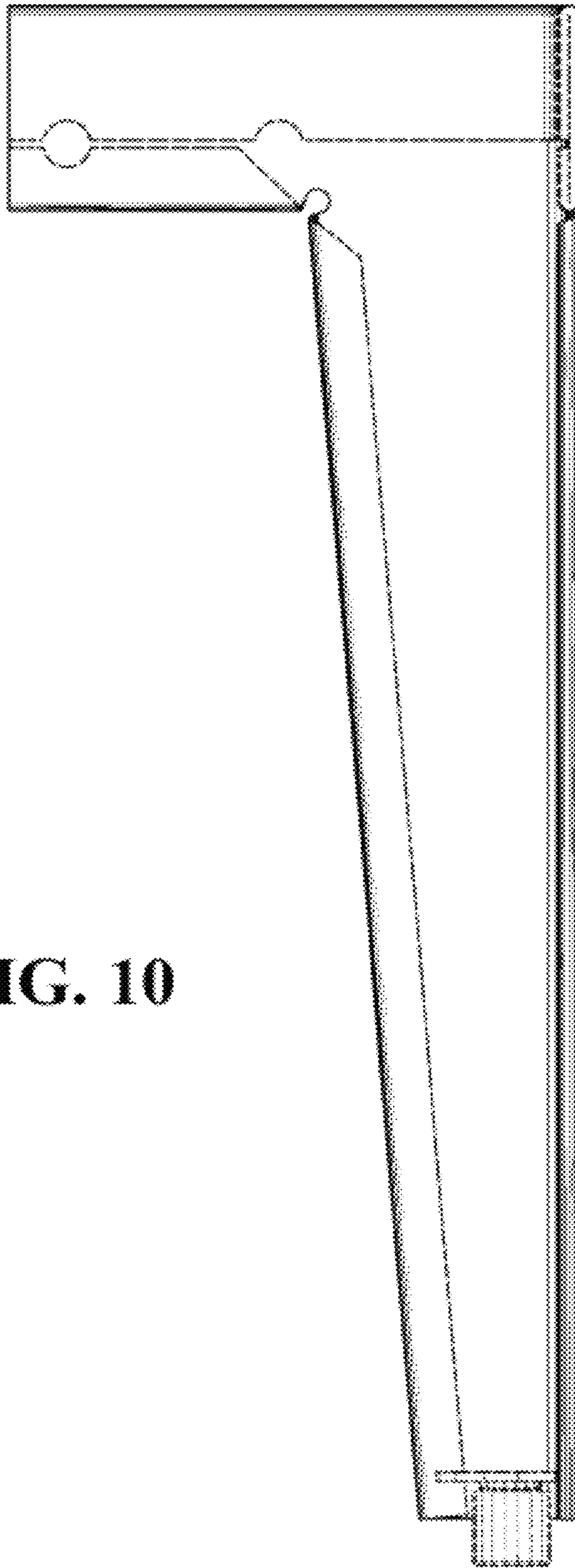


**FIG. 8**

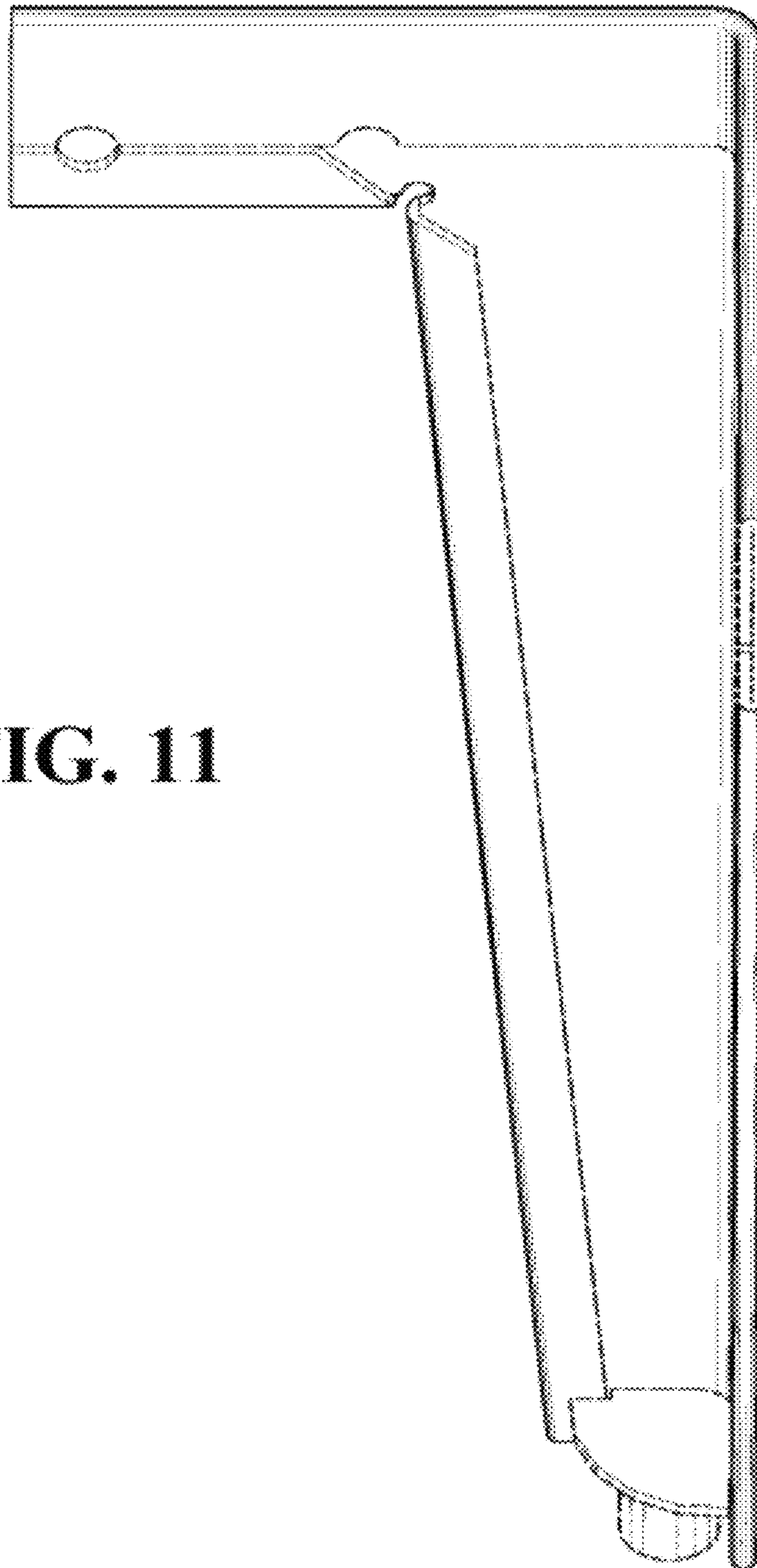




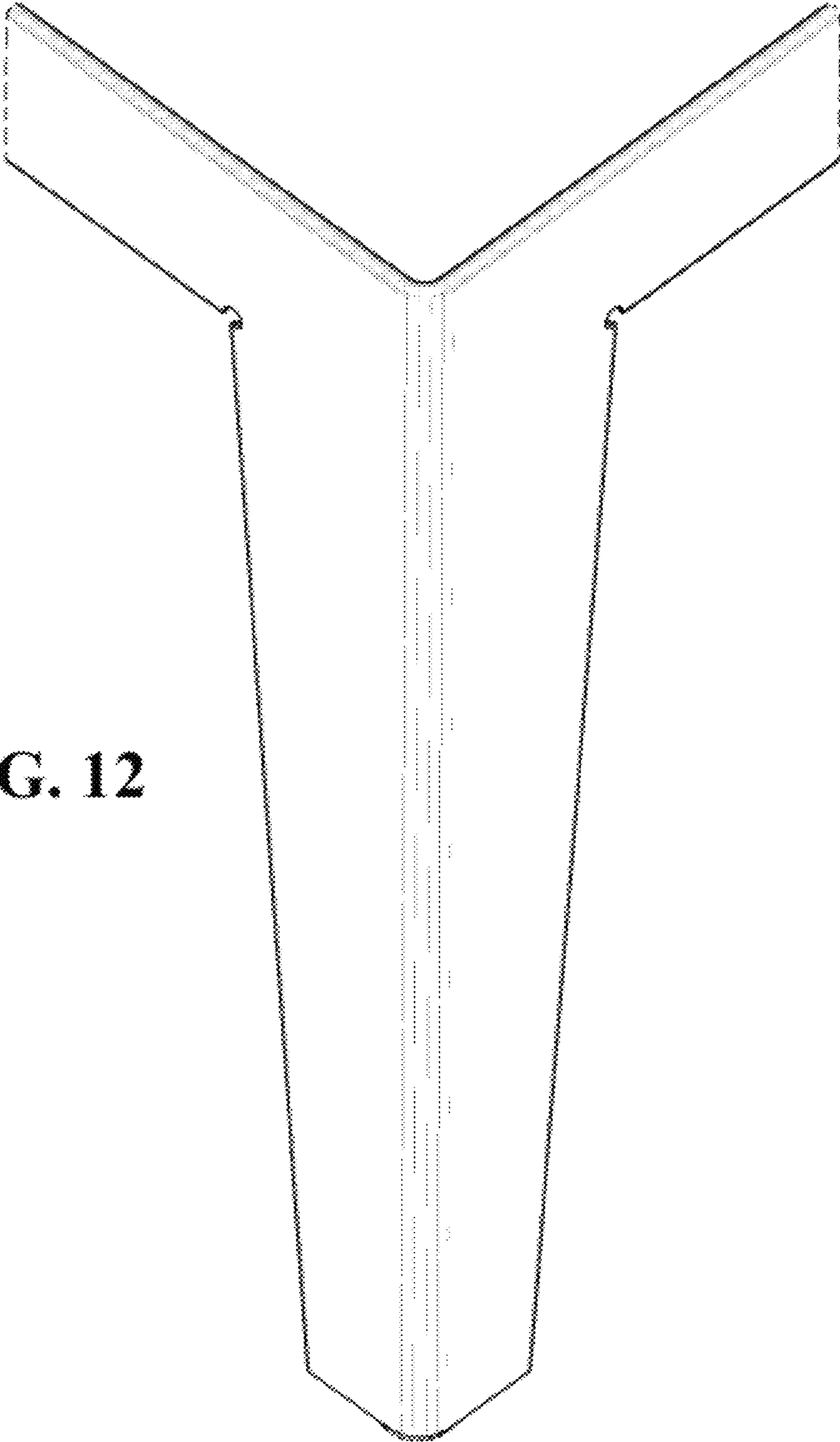
**FIG. 9**



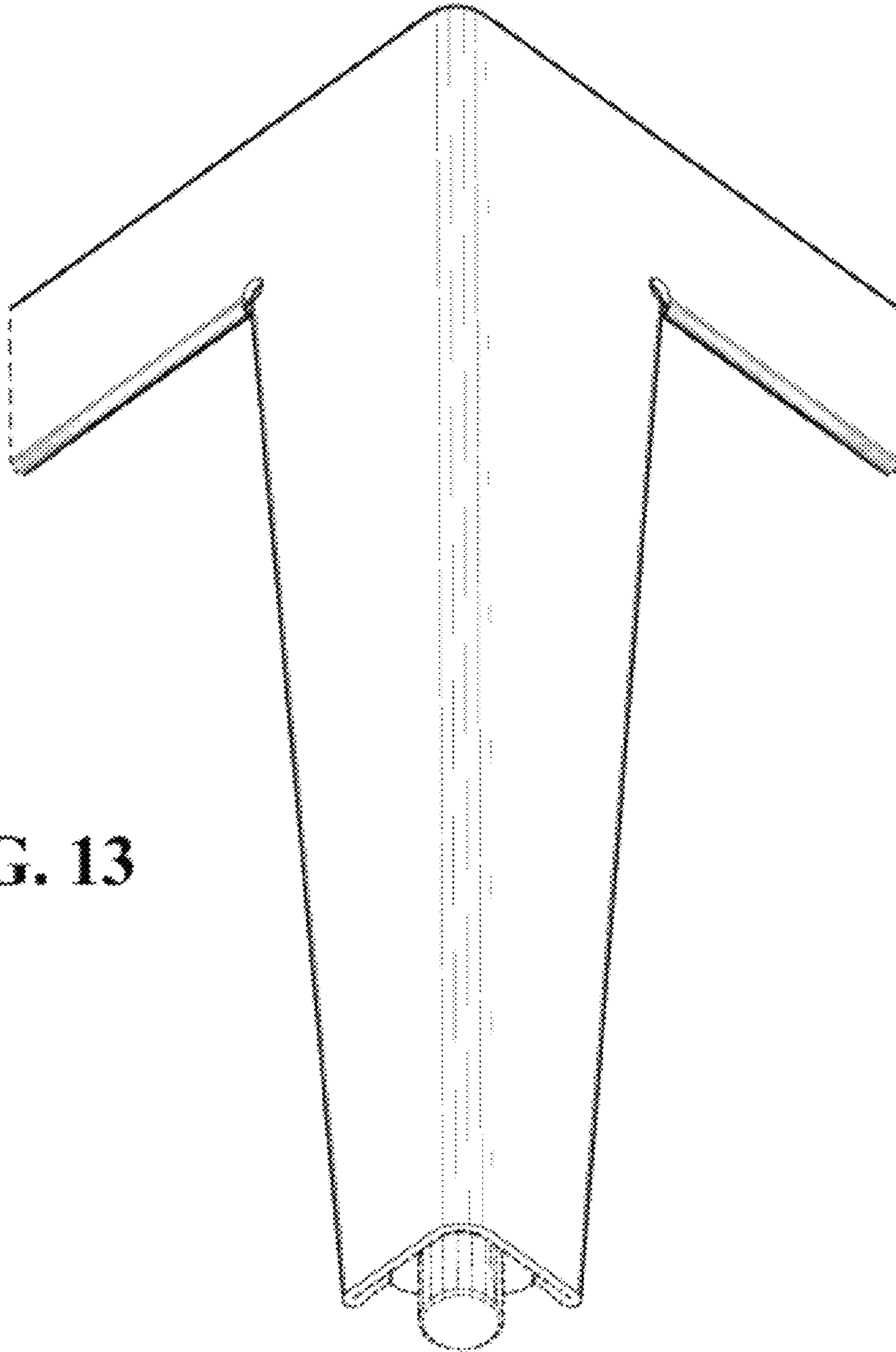
**FIG. 10**



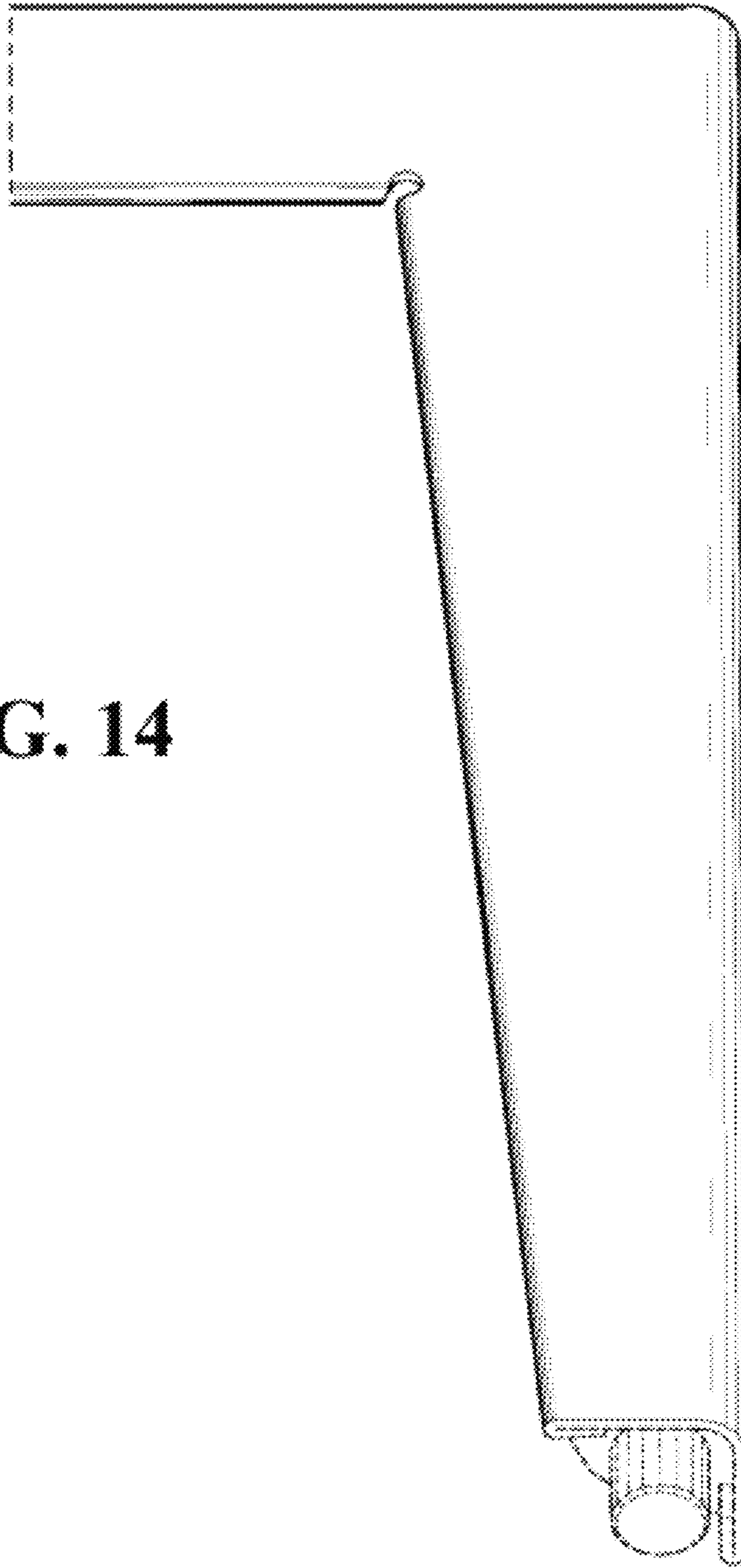
**FIG. 11**



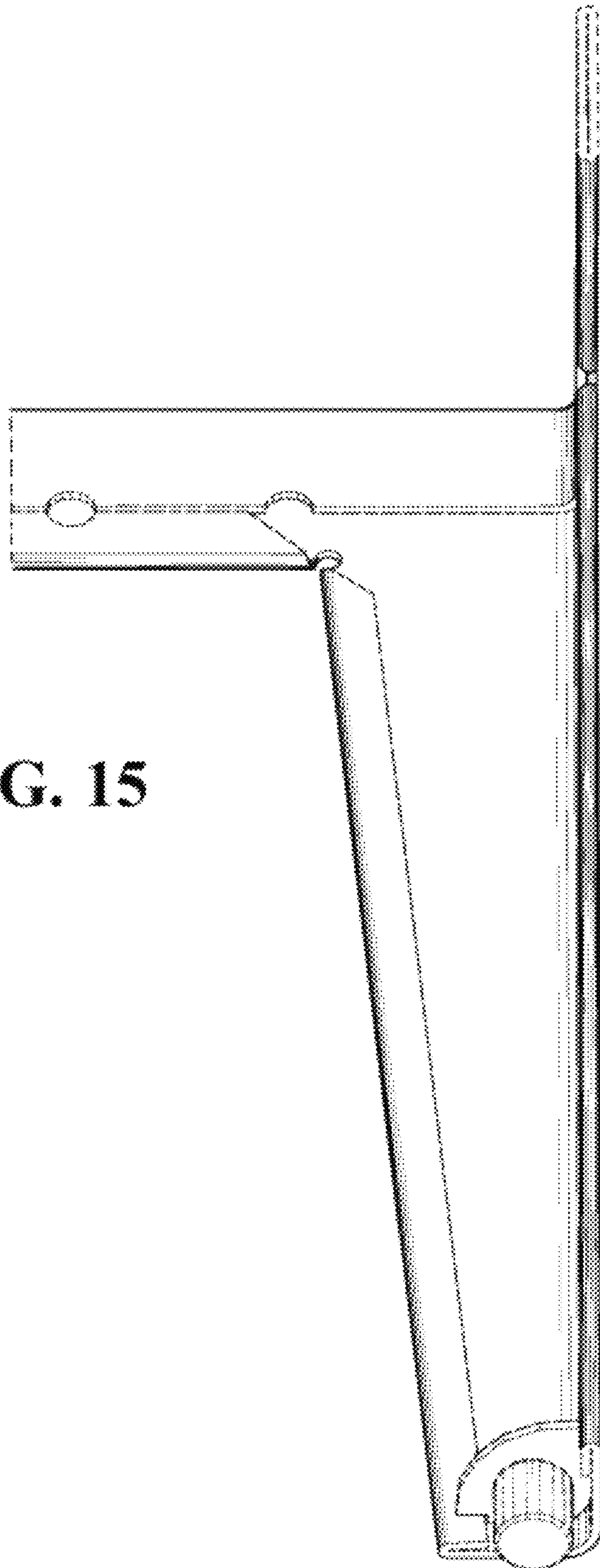
**FIG. 12**



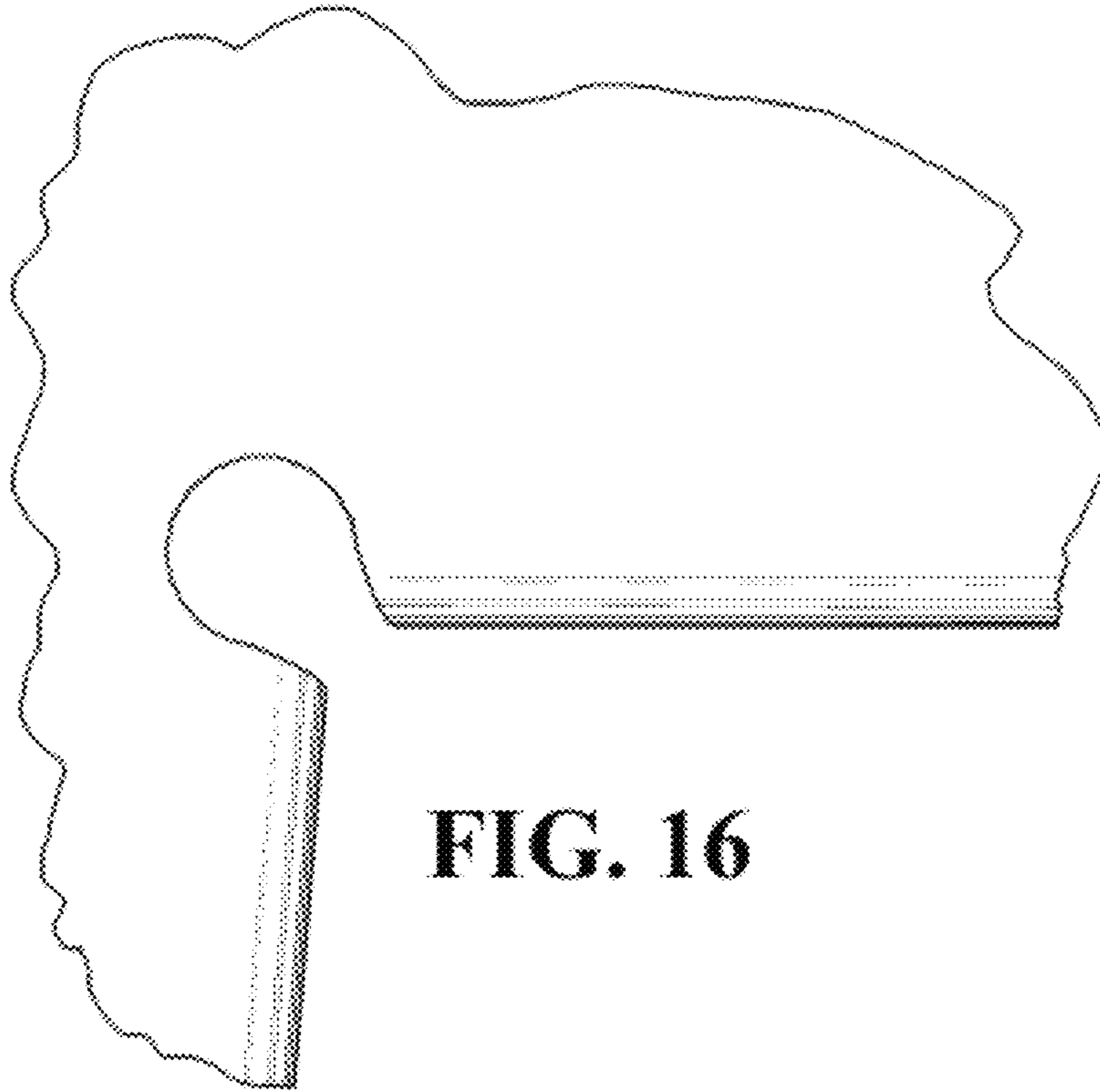
**FIG. 13**



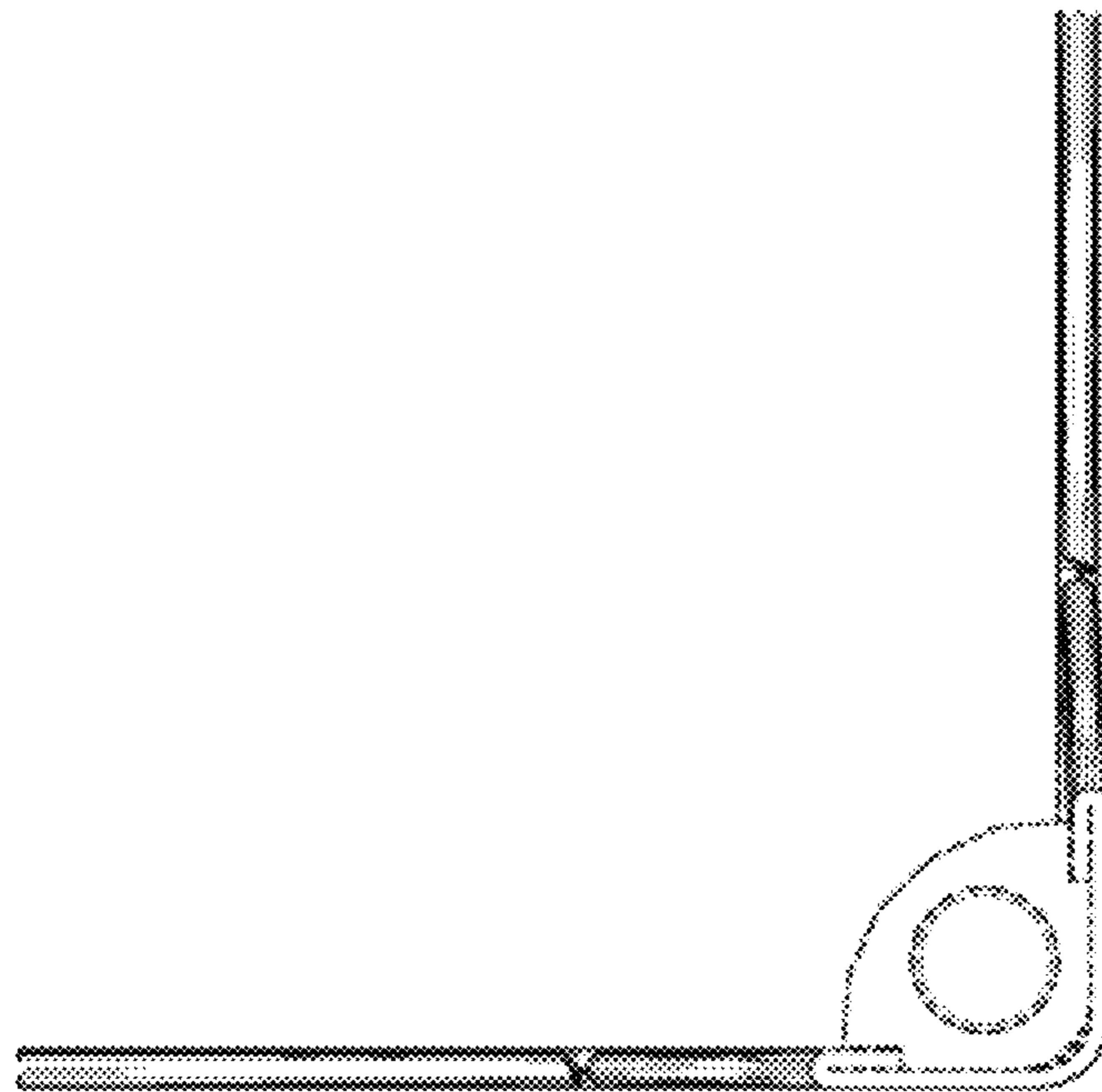
**FIG. 14**



**FIG. 15**

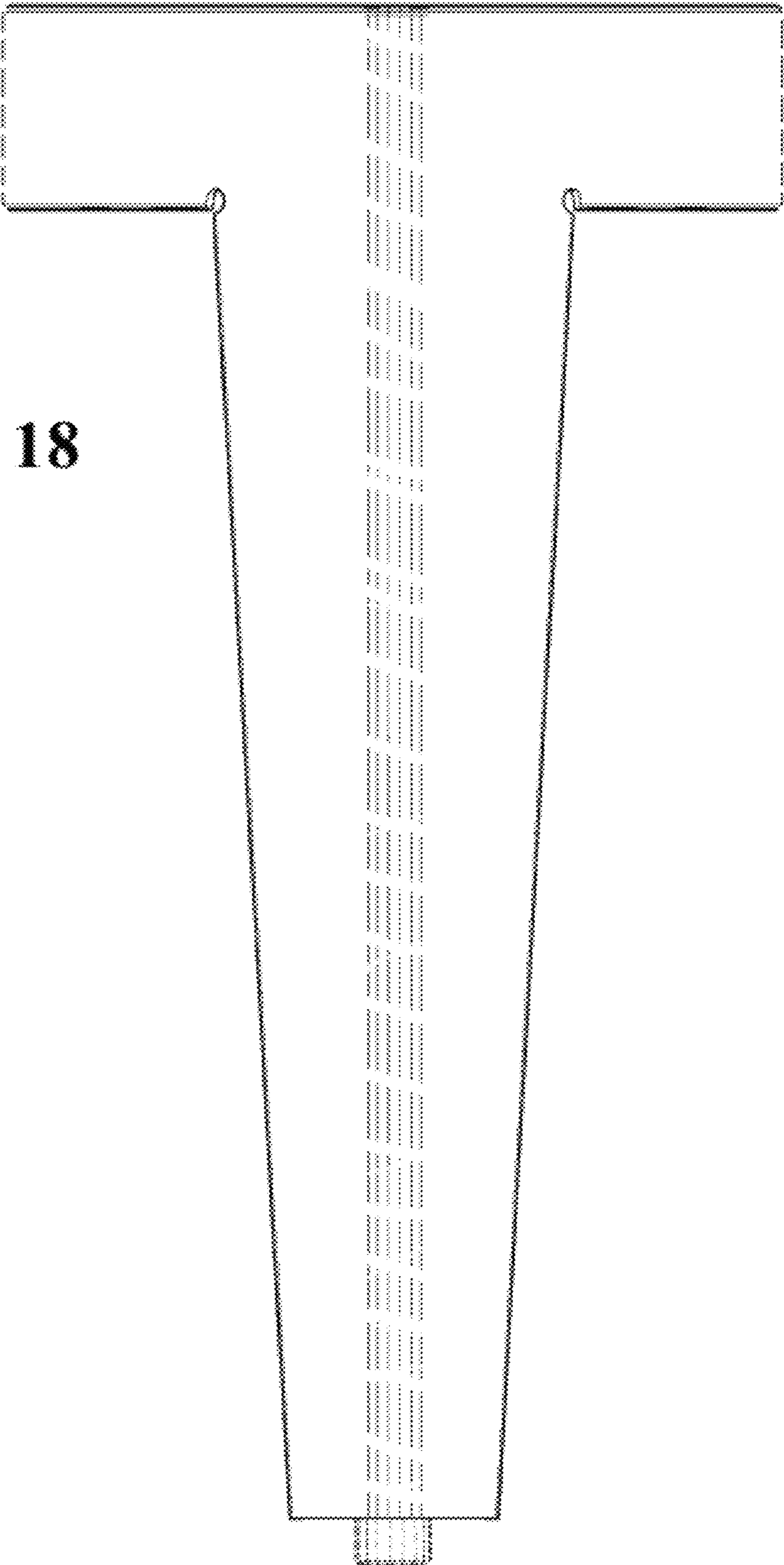


**FIG. 16**

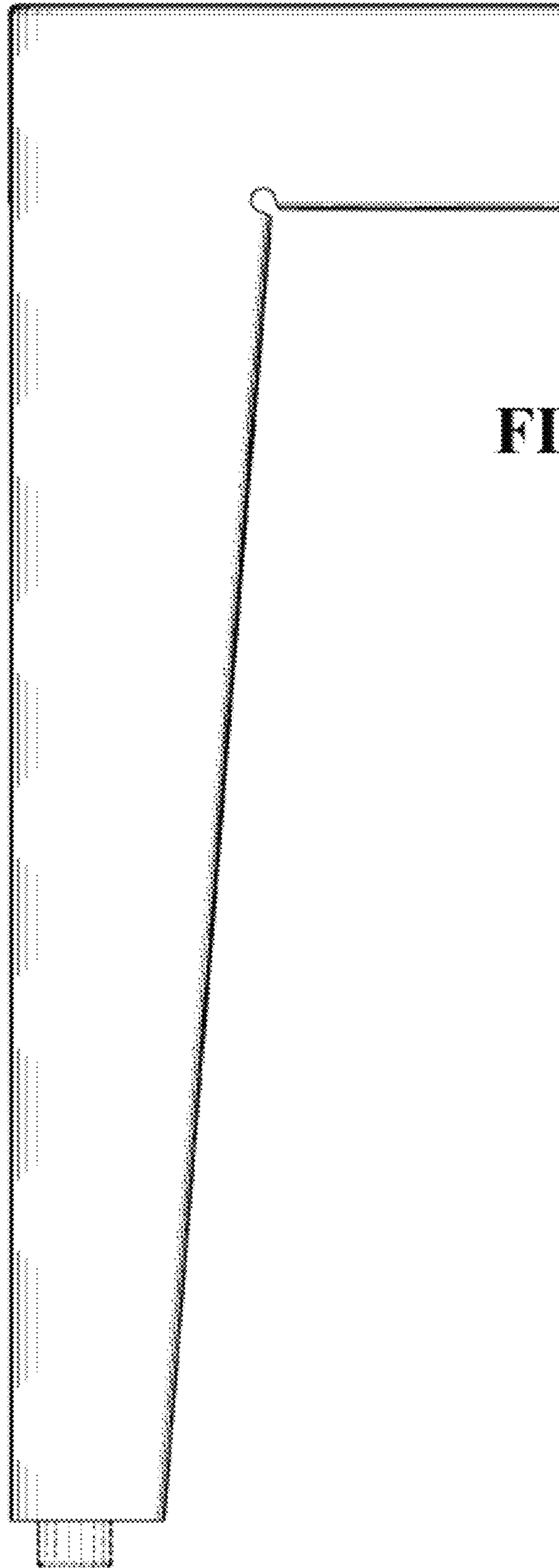


**FIG. 17**

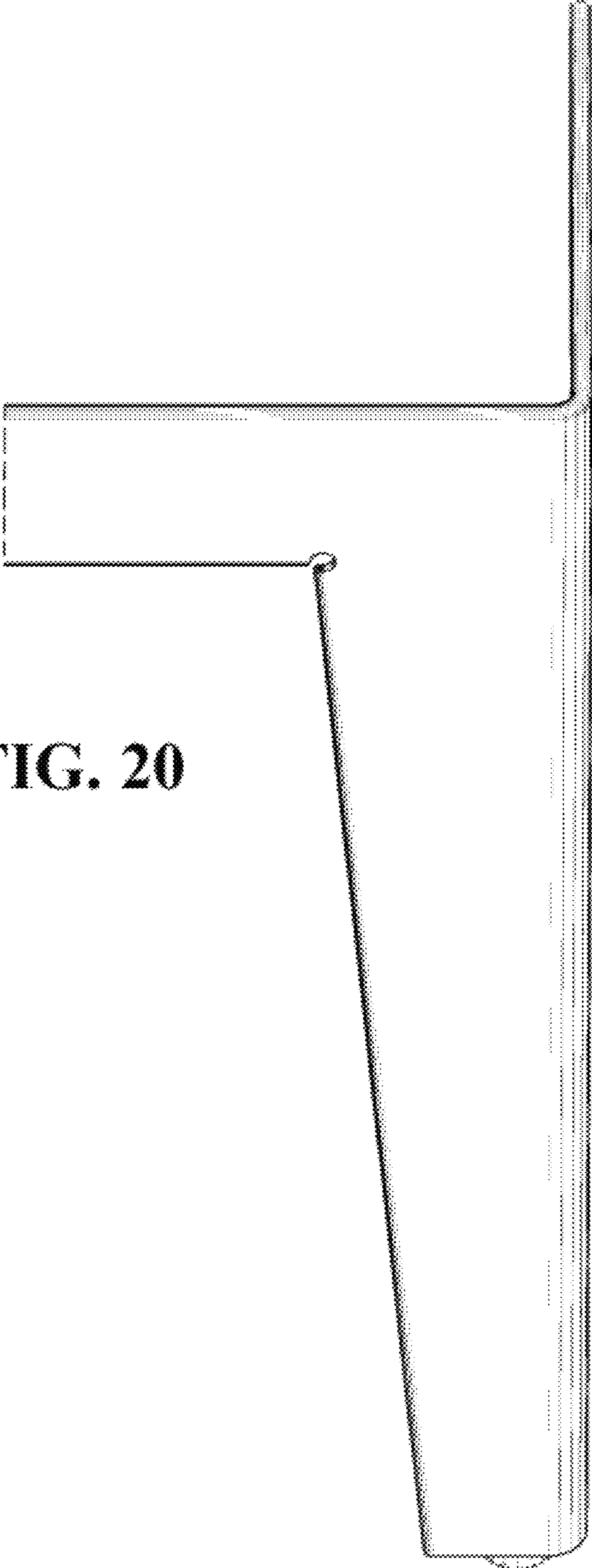




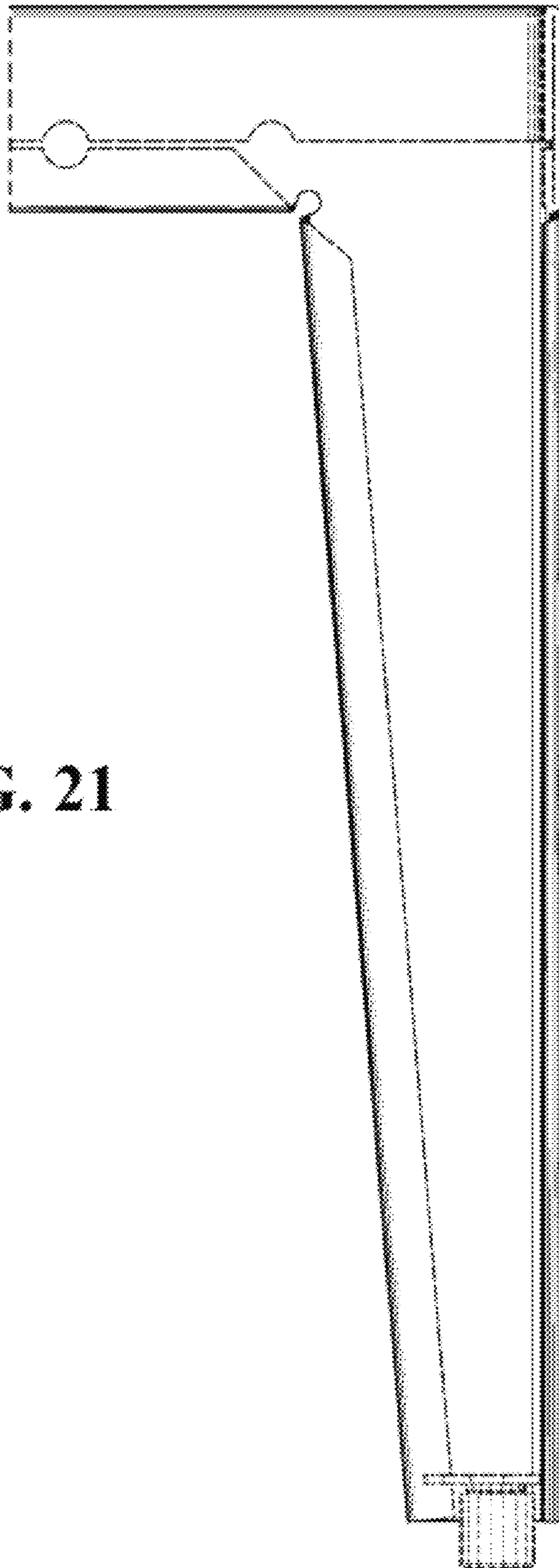
**FIG. 18**



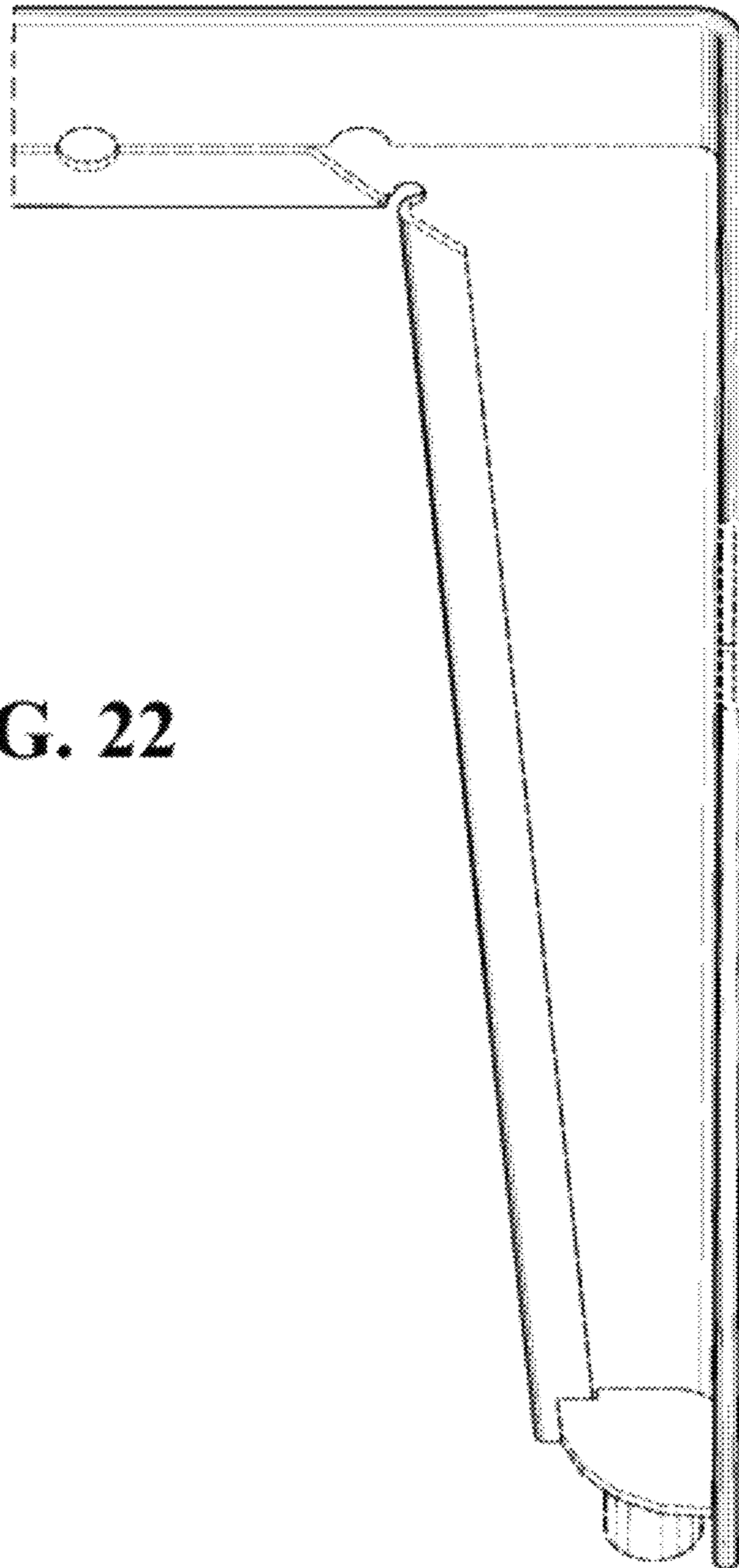
**FIG. 19**



**FIG. 20**



**FIG. 21**



**FIG. 22**