



US00D653877S

(12) **United States Design Patent**
Simon

(10) **Patent No.:** **US D653,877 S**

(45) **Date of Patent:** **** Feb. 14, 2012**

(54) **MULTI-SHELF STAND**

(76) **Inventor:** **Lois Simon**, Ponte Vedra Beach, FL
(US)

(**) **Term:** **14 Years**

(21) **Appl. No.:** **29/373,015**

(22) **Filed:** **Feb. 17, 2011**

(51) **LOC (9) Cl.** **06-06**

(52) **U.S. Cl.** **D6/477**

(58) **Field of Classification Search** D6/396,
D6/410, 449, 462-465, 477-479; 108/59,
108/91-93, 96-97, 106-107, 180, 193, 144,
108/153, 159; 211/126, 133-135, 153, 175,
211/186-188, 189-190, 194, 207
See application file for complete search history.

(56) **References Cited**

U.S. PATENT DOCUMENTS

3,834,324	A *	9/1974	Lang	108/91
4,940,150	A *	7/1990	Spengler	211/188
D328,988	S *	9/1992	Leonard	D6/469
D363,626	S *	10/1995	Herbst	D6/479
D364,512	S *	11/1995	Stravitz	D6/407
D364,763	S *	12/1995	Sielaff	D6/479
D366,868	S *	2/1996	Ohsawa	D13/182
D371,259	S *	7/1996	Herbst	D6/479
5,607,065	A *	3/1997	Todd	211/40
D396,985	S *	8/1998	Burnett	D6/630
D401,084	S *	11/1998	Martin	D6/474
D403,536	S *	1/1999	Olson et al.	D6/479
D419,334	S *	1/2000	Talbot et al.	D6/461

D427,457	S *	7/2000	Heiny et al.	D6/477
D431,937	S *	10/2000	Heiny et al.	D6/479
D455,030	S *	4/2002	Harwanko	D6/479
D456,179	S *	4/2002	Ferrer Beltran	D6/479
D456,640	S *	5/2002	Harwanko	D6/479
D470,002	S *	2/2003	Worrall	D6/630
D470,003	S *	2/2003	Kwok	D6/630
D472,073	S *	3/2003	de Carolis	D6/479
D488,018	S *	4/2004	Chow et al.	D6/630
D491,754	S *	6/2004	Harwanko	D6/479
D497,497	S *	10/2004	Harwanko	D6/479
D509,983	S *	9/2005	Kwok	D6/630
D512,585	S *	12/2005	Rozenboom	D6/474
D515,337	S *	2/2006	deCarolis	D6/479
D522,278	S *	6/2006	O'Reilly	D6/479
D527,208	S *	8/2006	Malizia	D6/479
D560,402	S *	1/2008	Lev	D6/479
D588,379	S *	3/2009	Chung	D6/479
D589,281	S *	3/2009	Chung	D6/479

* cited by examiner

Primary Examiner — Elizabeth Albert

Assistant Examiner — Kelley Donnelly

(74) *Attorney, Agent, or Firm* — Thomas C. Saitta

(57) **CLAIM**

The ornamental design for a multi-shelf stand, as shown and described.

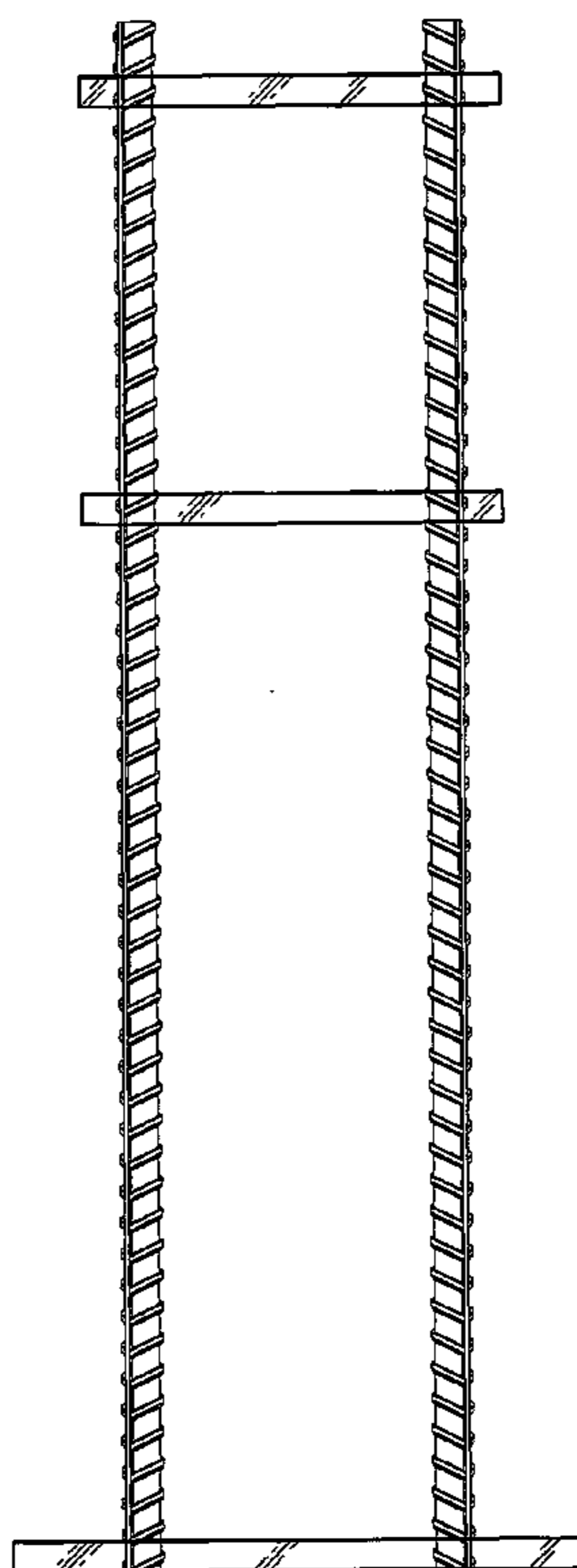
DESCRIPTION

FIG. 1 is a front view of the multi-shelf stand, the left, right and rear views being identical.

FIG. 2 is a top view; and,

FIG. 3 is a bottom view.

1 Claim, 2 Drawing Sheets



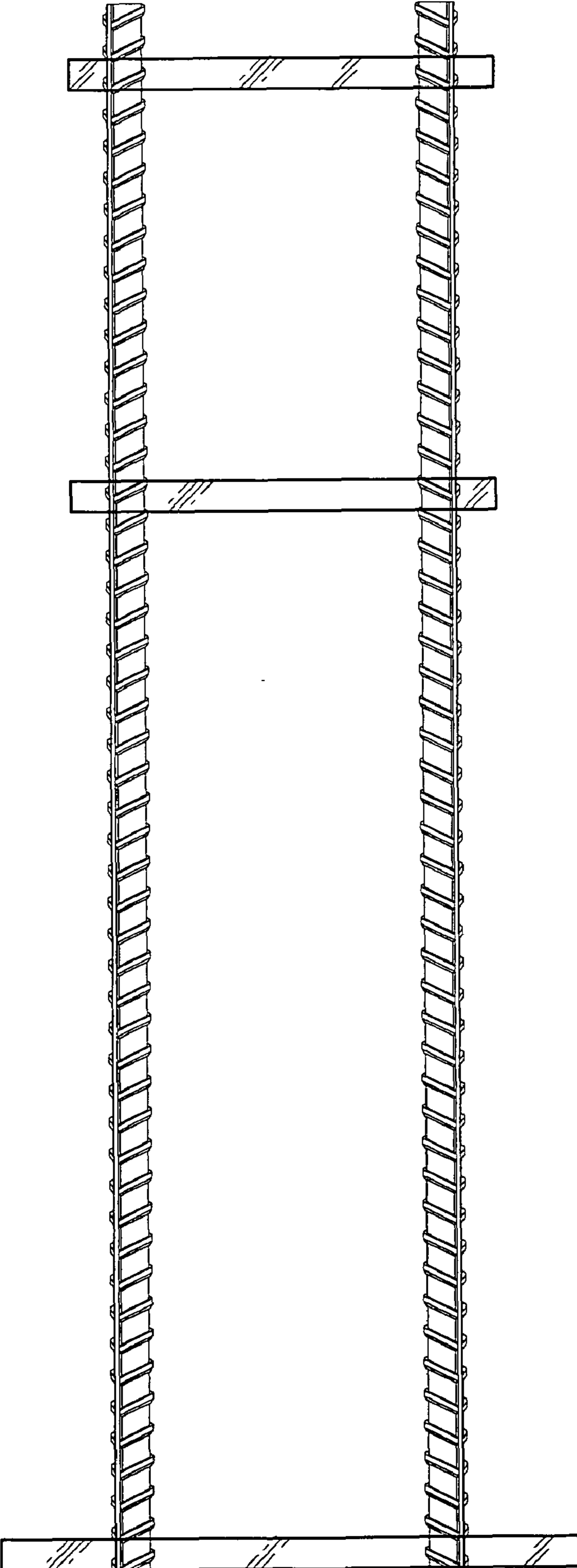


Fig. 1

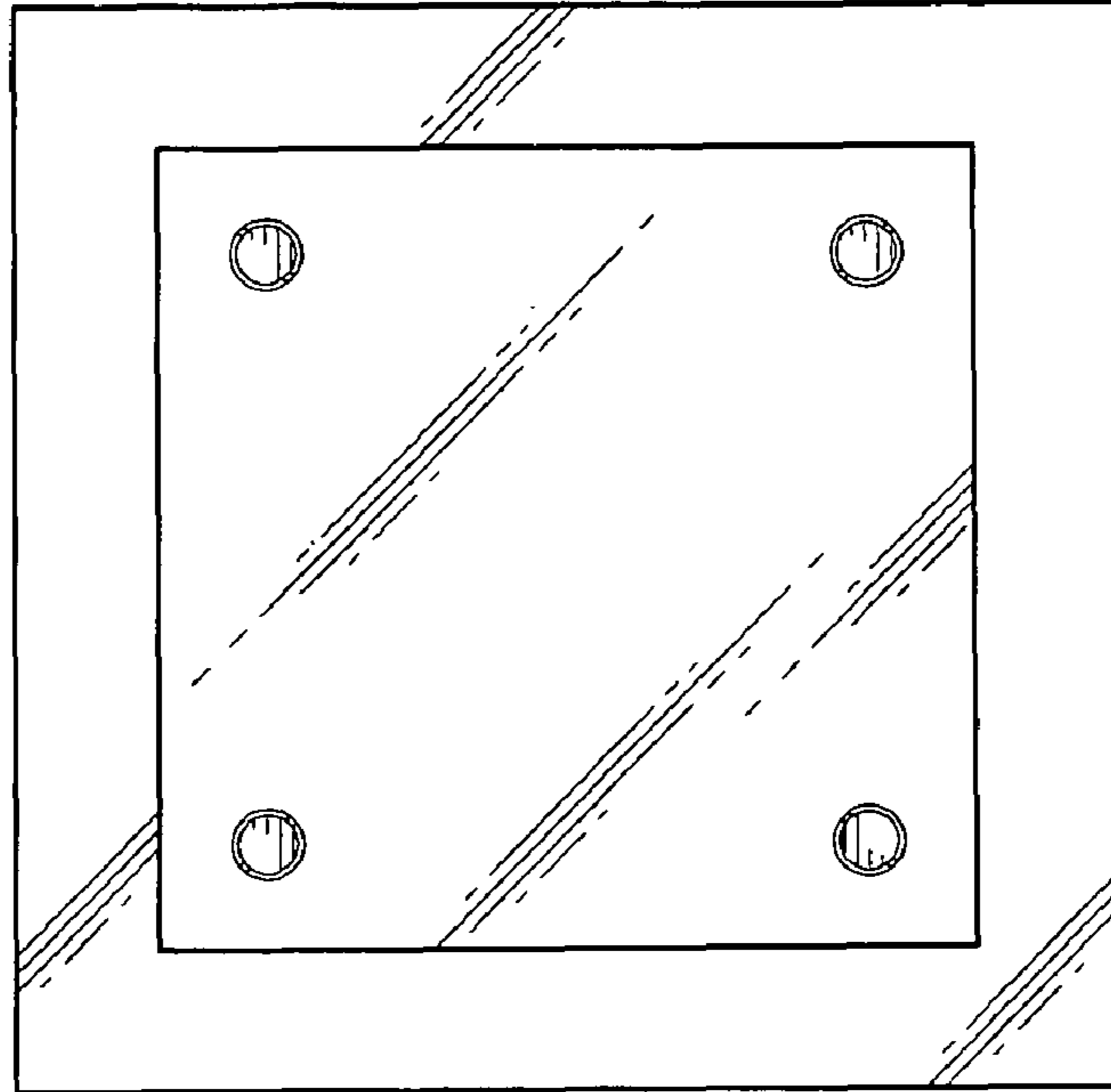


Fig. 2

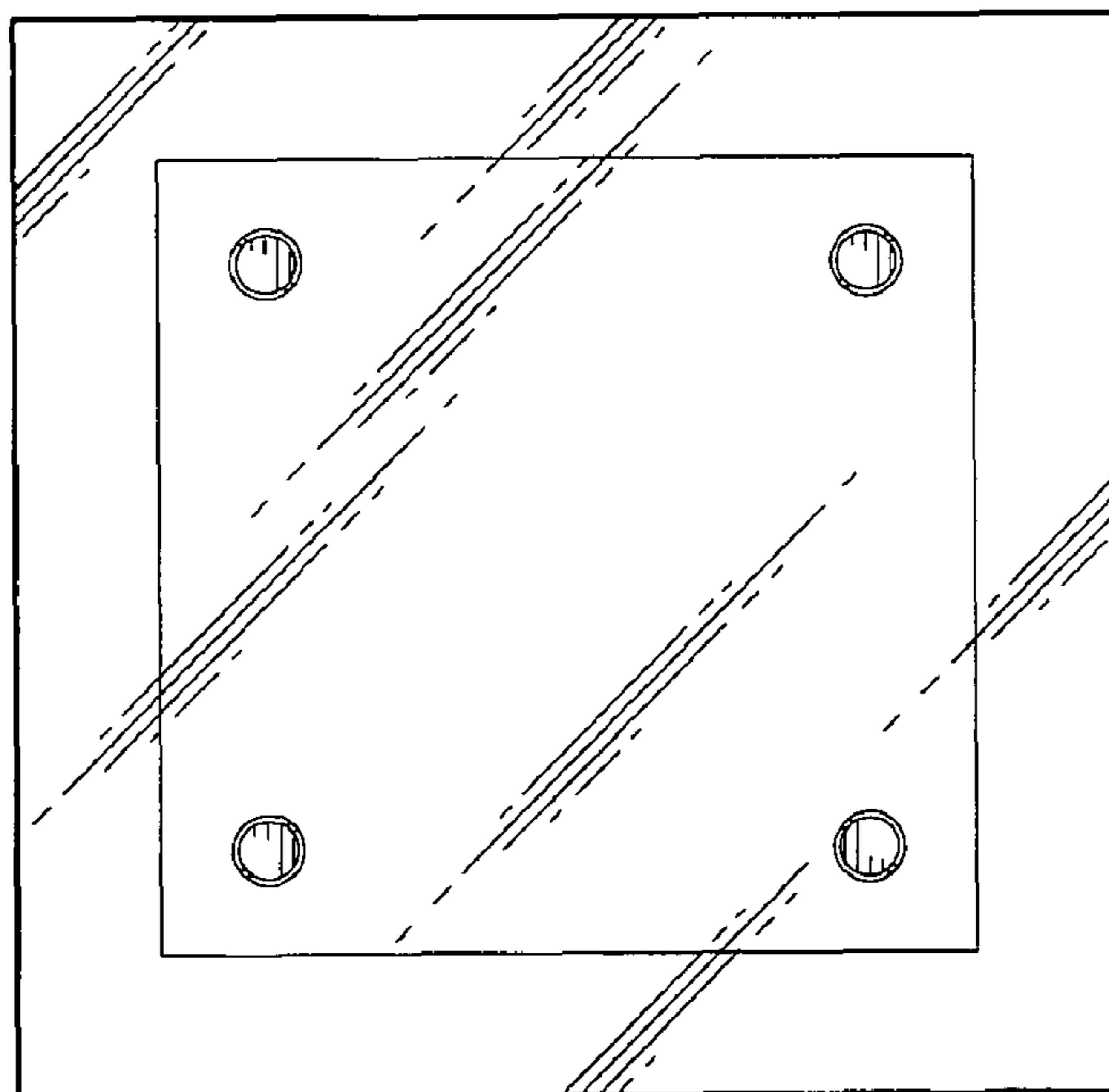


Fig. 3