



US00D653876S

(12) **United States Design Patent**
Snider

(10) **Patent No.:** **US D653,876 S**

(45) **Date of Patent:** **** Feb. 14, 2012**

(54) **CABINET ORGANIZER WITH DRAWER HAVING LATITUDINAL DIVIDERS**

(75) Inventor: **Martin Snider**, New City, NY (US)

(73) Assignee: **MSA Products, Inc.**, Nyack, NY (US)

(**) Term: **14 Years**

(21) Appl. No.: **29/376,925**

(22) Filed: **Oct. 14, 2010**

(51) **LOC (9) Cl.** **06-04**

(52) **U.S. Cl.** **D6/462**

(58) **Field of Classification Search** D6/396,
D6/397, 409, 410, 436, 448-450, 453-470,
D6/510; 211/1, 10, 13.1, 28, 69.1, 69.5,
211/70, 70.1, 70.6, 74, 77, 78, 85.1, 85.2,
211/85.4, 85.5, 85.31, 126.9, 134, 153, 181.1,
211/182; D3/302, 304, 306; D7/600.1-600.4
See application file for complete search history.

(56) **References Cited**

U.S. PATENT DOCUMENTS

| | | | | | | |
|----------|---|---|---------|-------------|-------|--------|
| 968,201 | A | * | 8/1910 | Shannon | | 211/28 |
| D158,631 | S | * | 5/1950 | Wooock | | D3/302 |
| D348,760 | S | * | 7/1994 | Linder | | D3/306 |
| D362,567 | S | * | 9/1995 | Licari | | D6/436 |
| D363,396 | S | * | 10/1995 | Licari | | D6/448 |
| D423,809 | S | * | 5/2000 | Lund et al. | | D6/396 |

| | | | | | | |
|-----------|----|---|---------|-------------|-------|-----------|
| 6,341,704 | B1 | * | 1/2002 | Michel, Jr. | | 211/181.1 |
| D579,246 | S | * | 10/2008 | Snider | | D6/510 |
| D579,691 | S | * | 11/2008 | Snider | | D6/463 |
| D615,328 | S | * | 5/2010 | Snider | | D6/510 |
| D628,444 | S | * | 12/2010 | Snider | | D7/600.1 |
| D628,445 | S | * | 12/2010 | Snider | | D7/600.1 |

* cited by examiner

Primary Examiner — Mary Ann Calabrese

(74) *Attorney, Agent, or Firm* — Gerald E. Hespos; Michael J. Porco

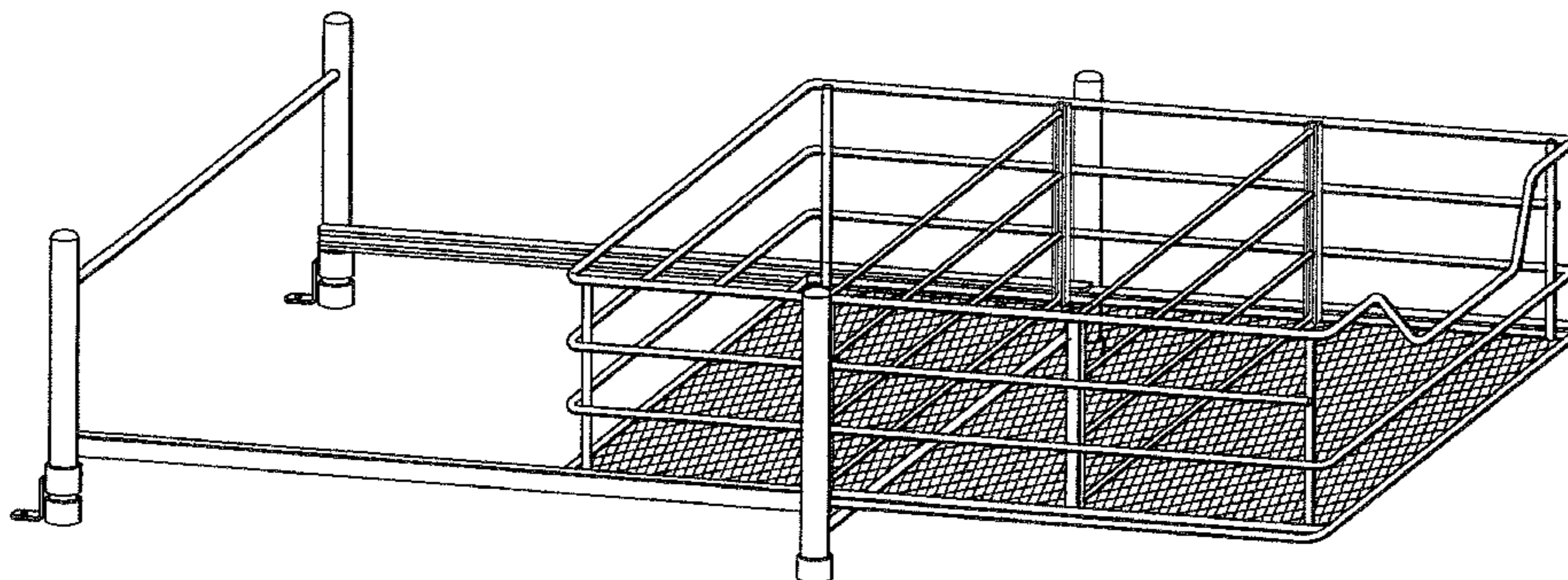
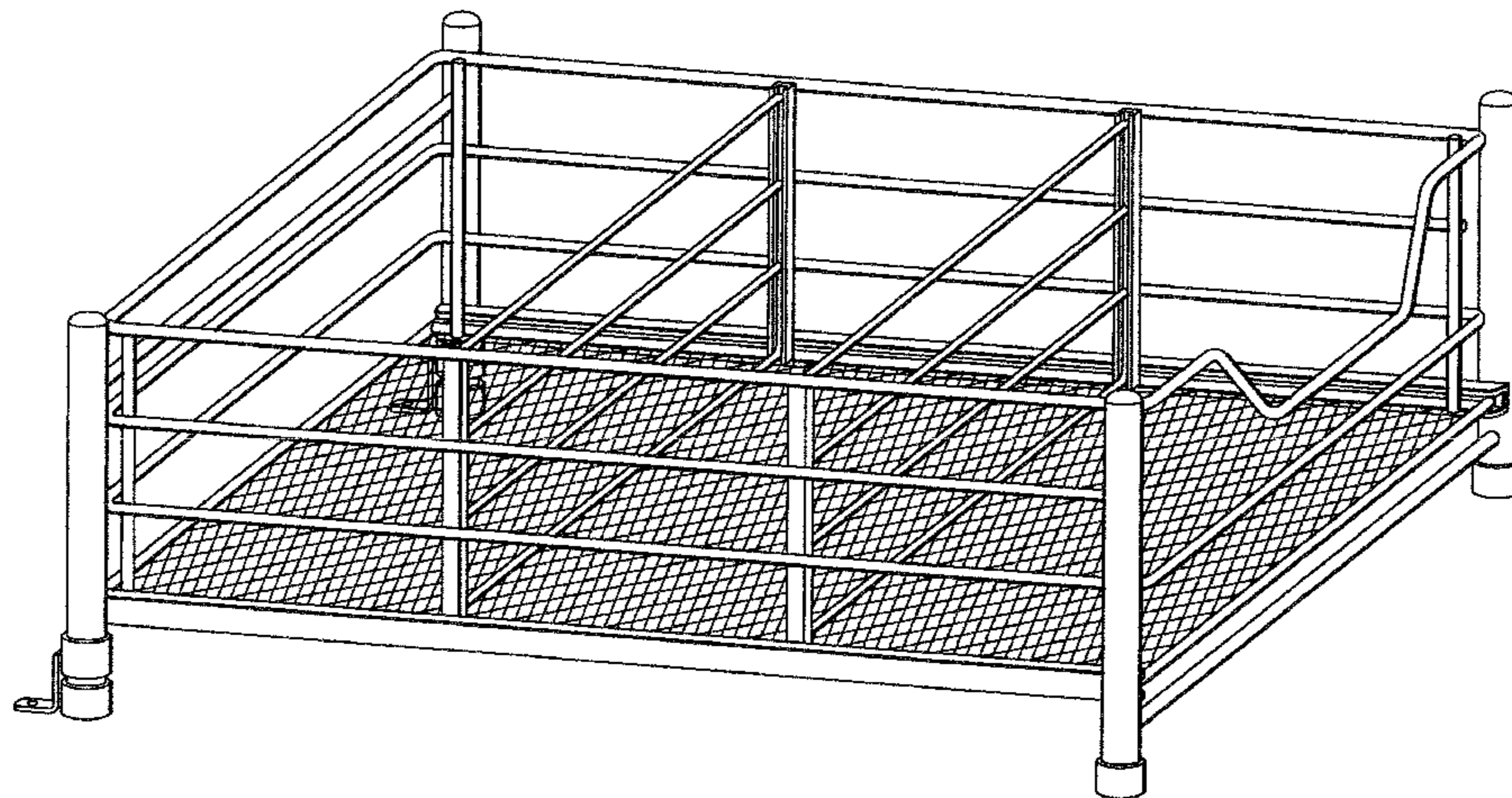
(57) **CLAIM**

The ornamental design of a cabinet organizer with drawer having latitudinal dividers, as shown and described.

DESCRIPTION

FIG. 1 is a perspective view of a cabinet organizer with drawer having latitudinal dividers in accordance with my design;
FIG. 2 is a perspective view of the cabinet organizer of FIG. 1 with the drawer in an extended position;
FIG. 3 is a top plan view thereof;
FIG. 4 is a side elevational view thereof as view from the right side of FIG. 1;
FIG. 5 is a front elevational view thereof;
FIG. 6 is a back elevational view thereof; and,
FIG. 7 is a bottom plan view thereof.

1 Claim, 6 Drawing Sheets



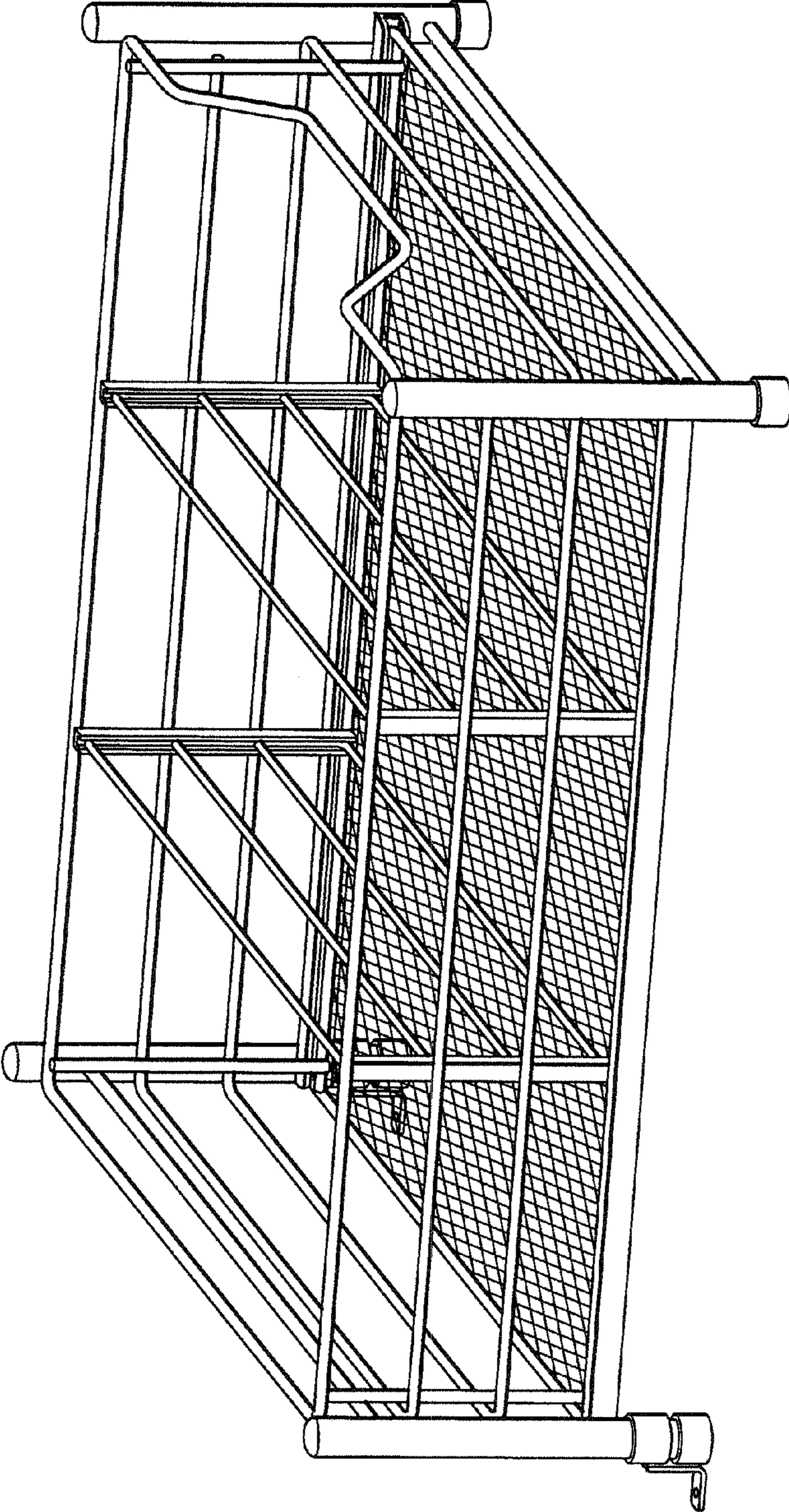


FIG.1

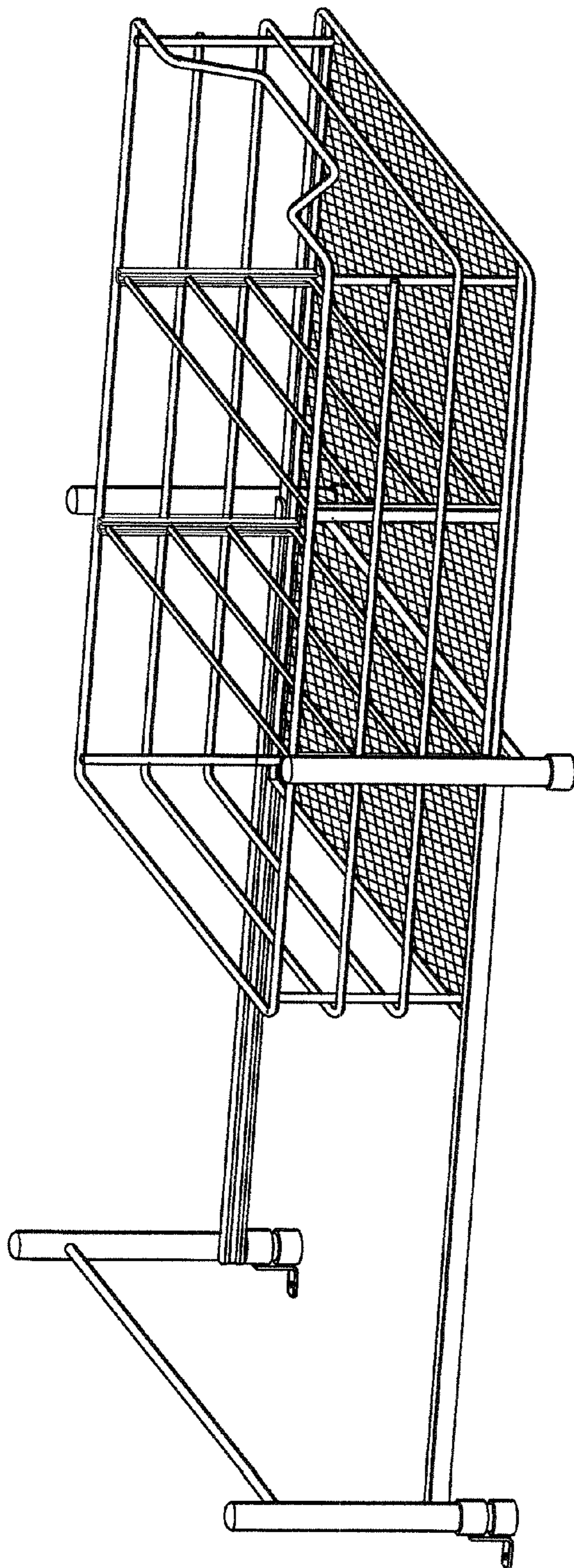


FIG.2

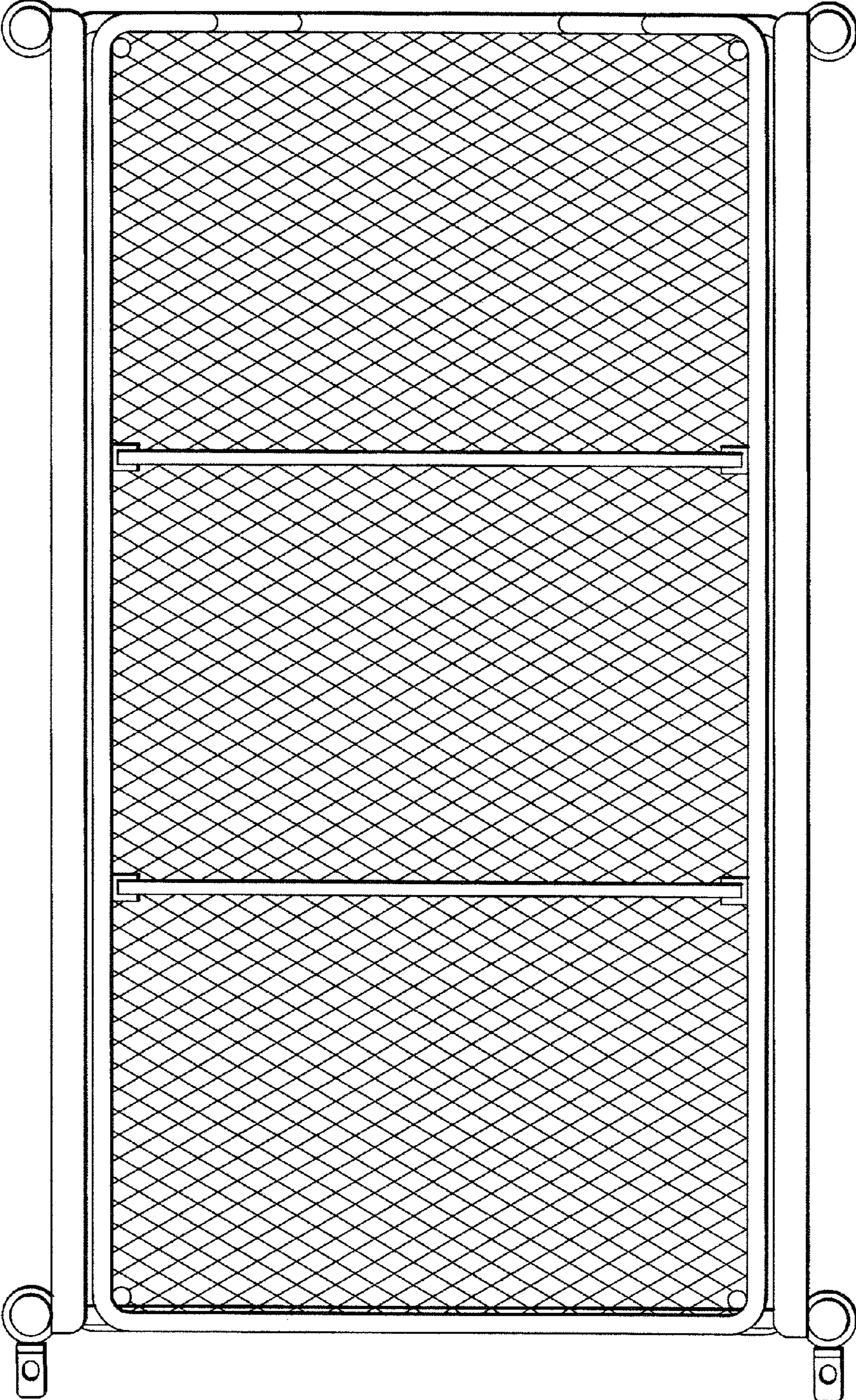


FIG. 3

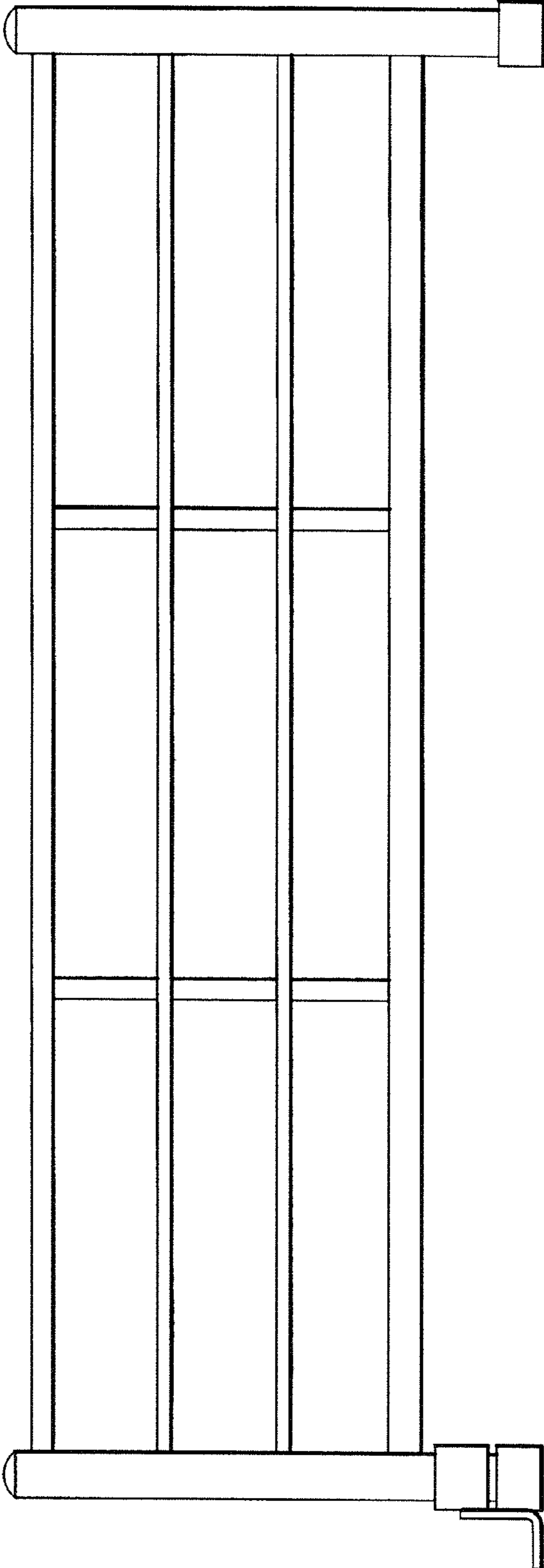


FIG. 4

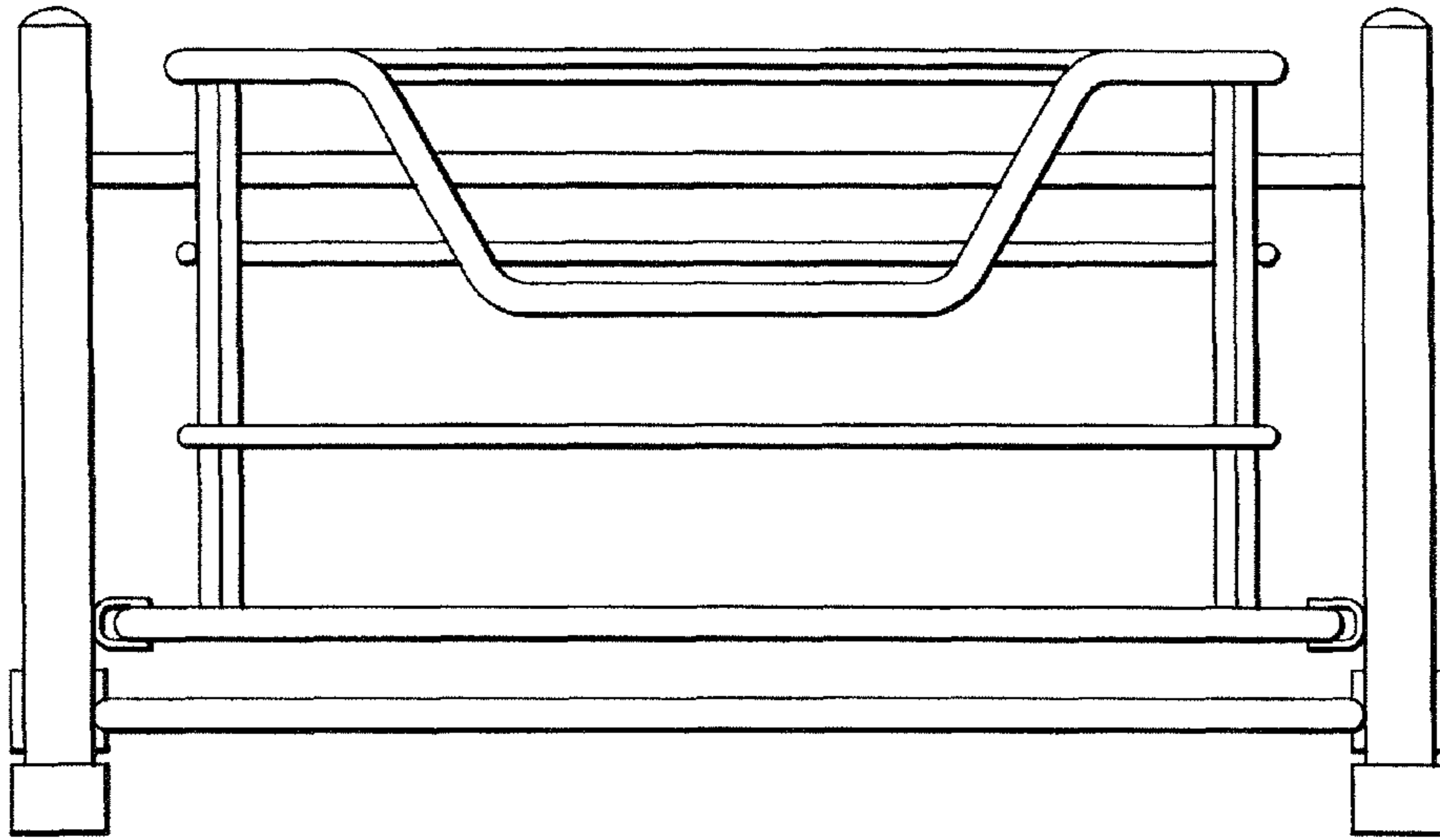


FIG. 5

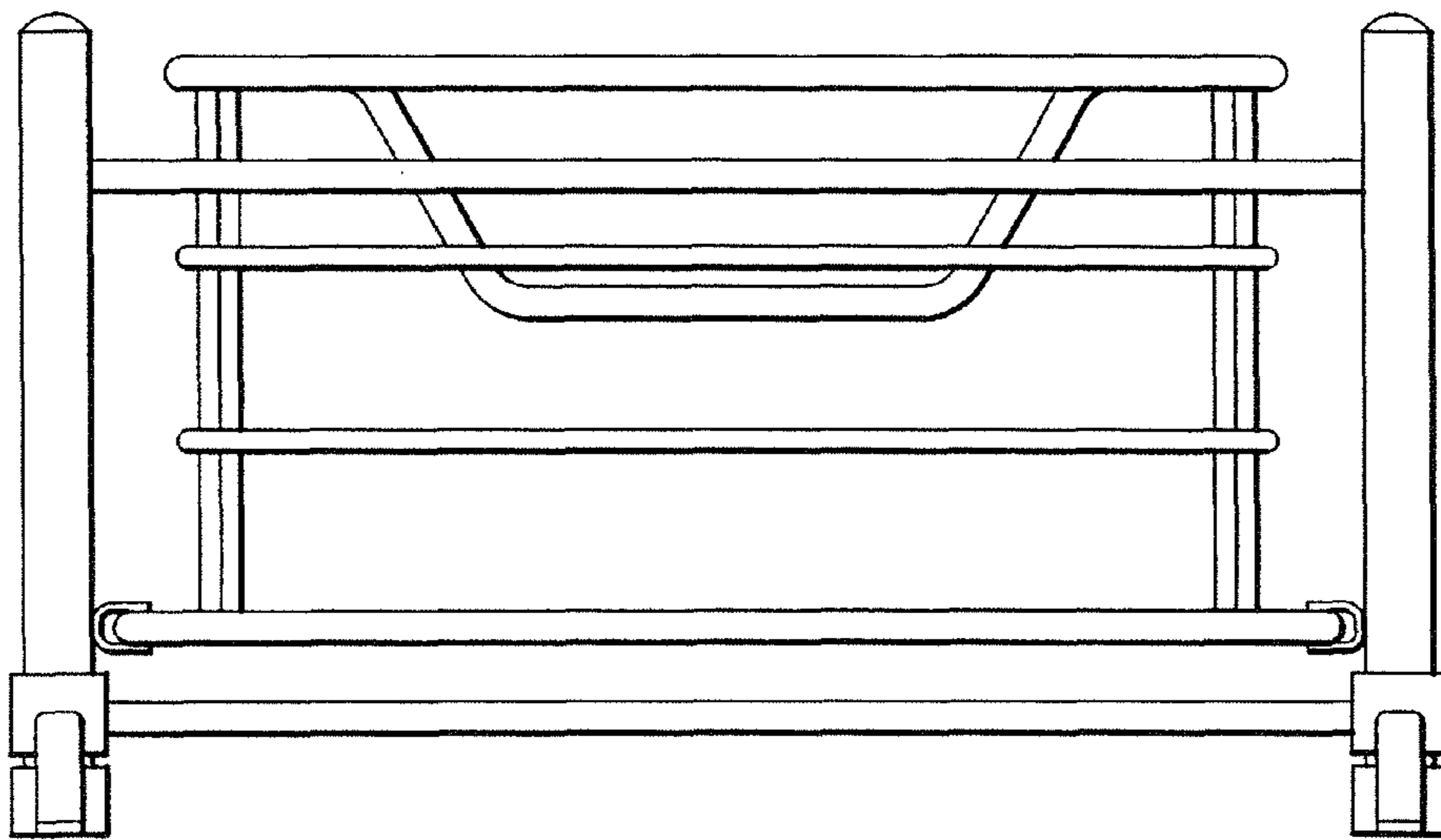


FIG. 6

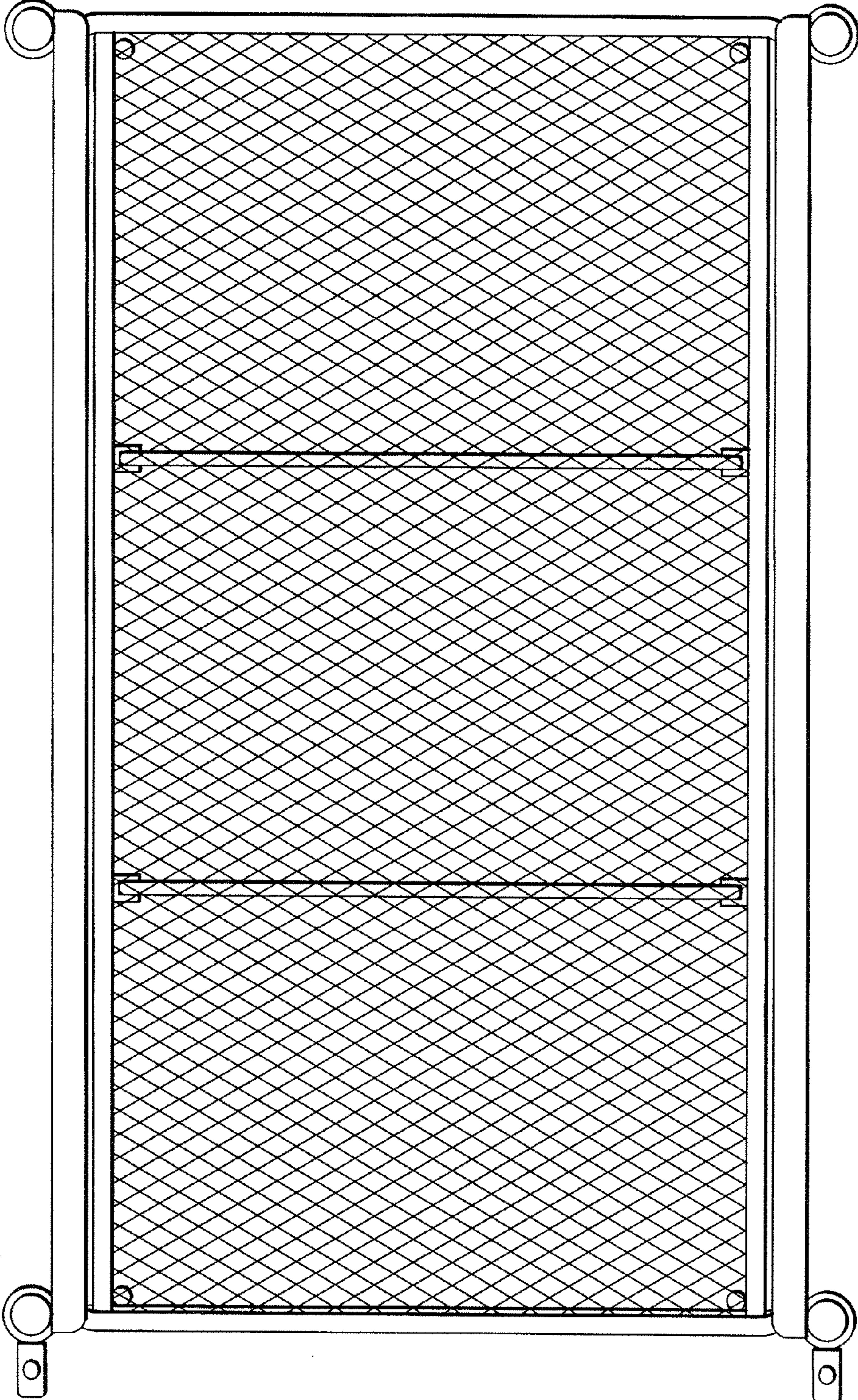


FIG. 7