



US00D653875S

(12) **United States Design Patent**  
**Levy et al.**

(10) **Patent No.:** **US D653,875 S**

(45) **Date of Patent:** **\*\* Feb. 14, 2012**

(54) **ROTATING DISPLAY RACK**

D639,580 S \* 6/2011 Clemence et al. .... D6/450  
D644,453 S \* 9/2011 Levy et al. .... D6/457  
2002/0130096 A1\* 9/2002 Brozak, Jr. .... 211/85.1

(75) Inventors: **Gordon Levy**, Golden, CO (US); **David L. Martin**, Highlands Ranch, CO (US)

\* cited by examiner

(73) Assignee: **Navajo Manufacturing Company**,  
Denver, CO (US)

*Primary Examiner* — Philip S Hyder  
*Assistant Examiner* — Sydney Buffalow

(\*\*) Term: **14 Years**

(74) *Attorney, Agent, or Firm* — Jacobson Holman PLLC

(21) Appl. No.: **29/371,598**

(57) **CLAIM**

The ornamental design for a rotating display rack, as shown and described.

(22) Filed: **May 9, 2011**

**DESCRIPTION**

(51) **LOC (9) Cl.** ..... **06-04**

(52) **U.S. Cl.** ..... **D6/457**

(58) **Field of Classification Search** ..... D6/450,  
D6/449, 469, 455, 457, 466, 396, 410, 411,  
D6/415, 467, 437, 397; 211/1.52, 163, 85.2,  
211/13.1, 144, 7, 70.6, 46, 205, 53, 78, 85,  
211/175, 189, 86.01, 85.8, 22, 24, 26, 39  
See application file for complete search history.

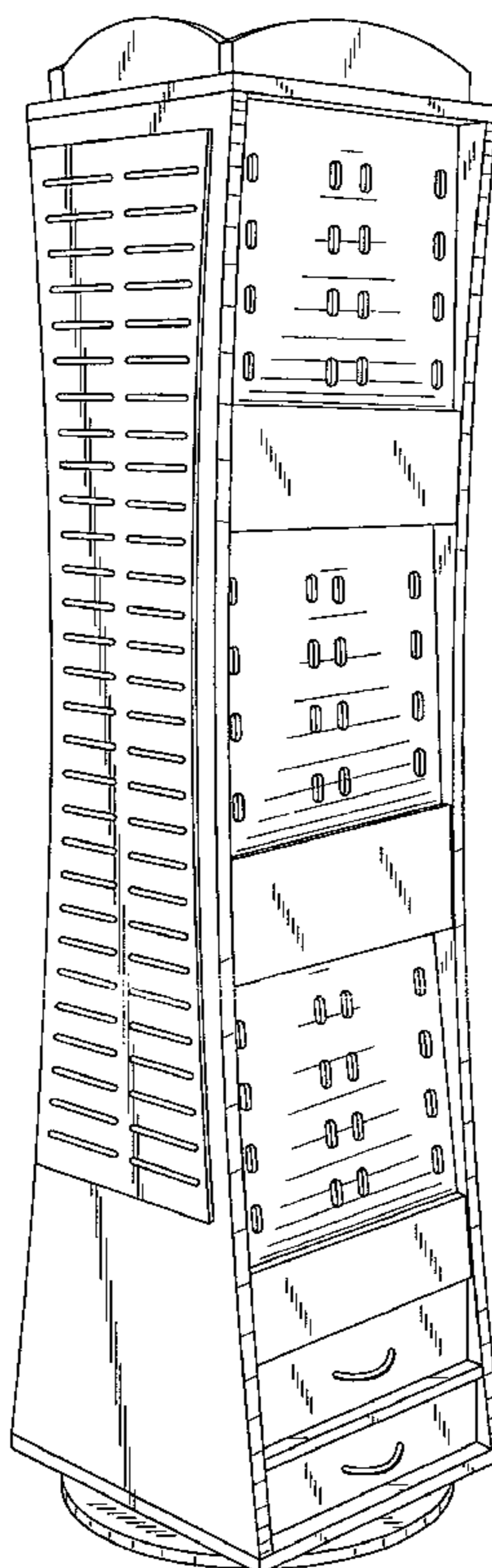
FIG. 1 is a perspective view showing our new design for a rotating display rack,  
FIG. 2 is a front view thereof, the rear view being a mirror image thereof,  
FIG. 3 is a left side view thereof, the right side view being a mirror image thereof,  
FIG. 4 is a top view thereof,  
FIG. 5 is a bottom view thereof,  
FIG. 6 is a perspective view of another embodiment of our design for a rotating display rack,  
FIG. 7 is a front view thereof, the rear view being a mirror image thereof,  
FIG. 8 is a left side view thereof, the right side view being a mirror image thereof,  
FIG. 9 is a top view thereof; and,  
FIG. 10 is a bottom view thereof.

(56) **References Cited**

U.S. PATENT DOCUMENTS

D369,038	S	*	4/1996	Lechleiter et al.	.....	D6/466
6,443,317	B1	*	9/2002	Brozak, Jr.	.....	211/85.1
D500,417	S	*	1/2005	Levin et al.	.....	D6/457
D534,372	S	*	1/2007	Babbino et al.	.....	D6/457
D564,793	S	*	3/2008	Shea	.....	D6/457
D573,809	S		7/2008	Levy et al.	.....	D6/457
D582,175	S		12/2008	Levy et al.	.....	D6/457
D632,508	S		2/2011	Levy et al.	.....	D6/457

**1 Claim, 6 Drawing Sheets**



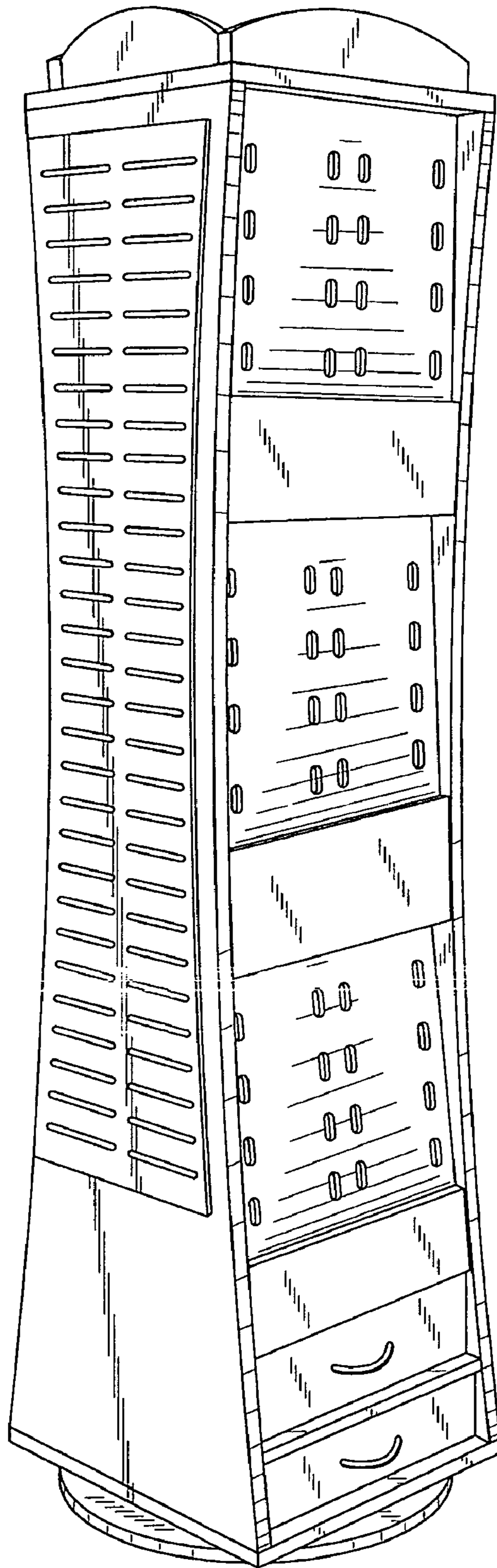


FIG. 1

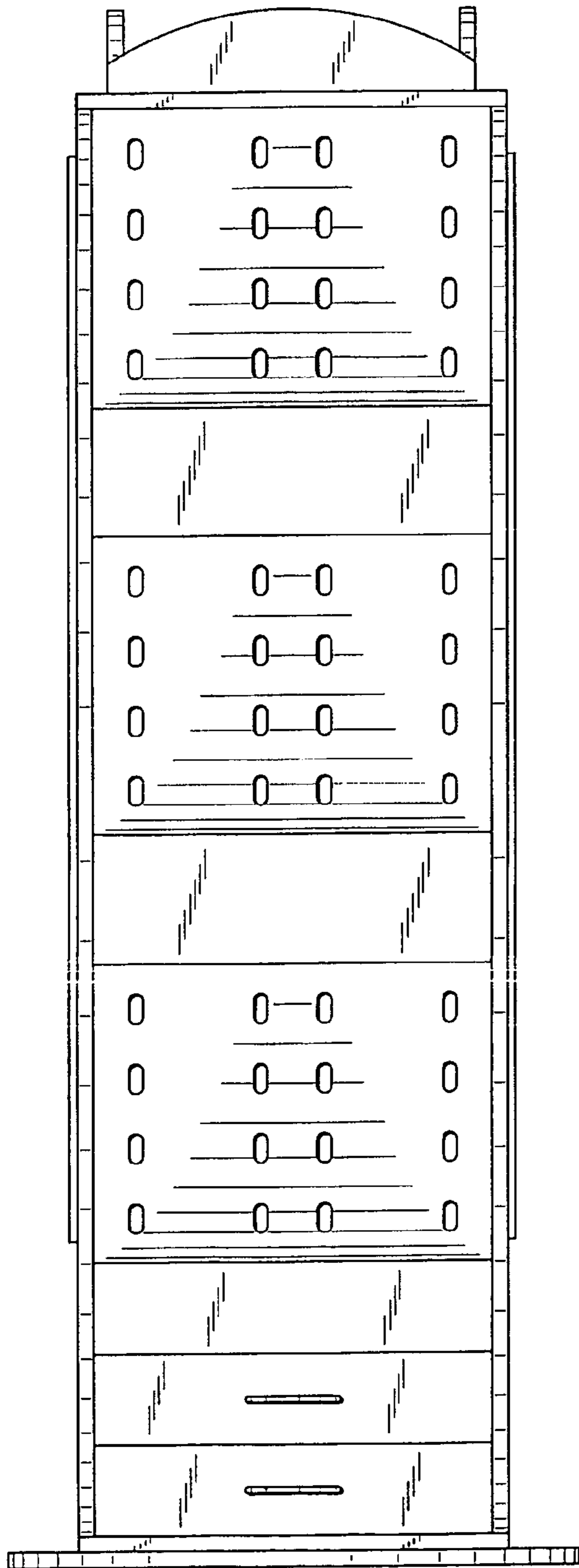


FIG. 2

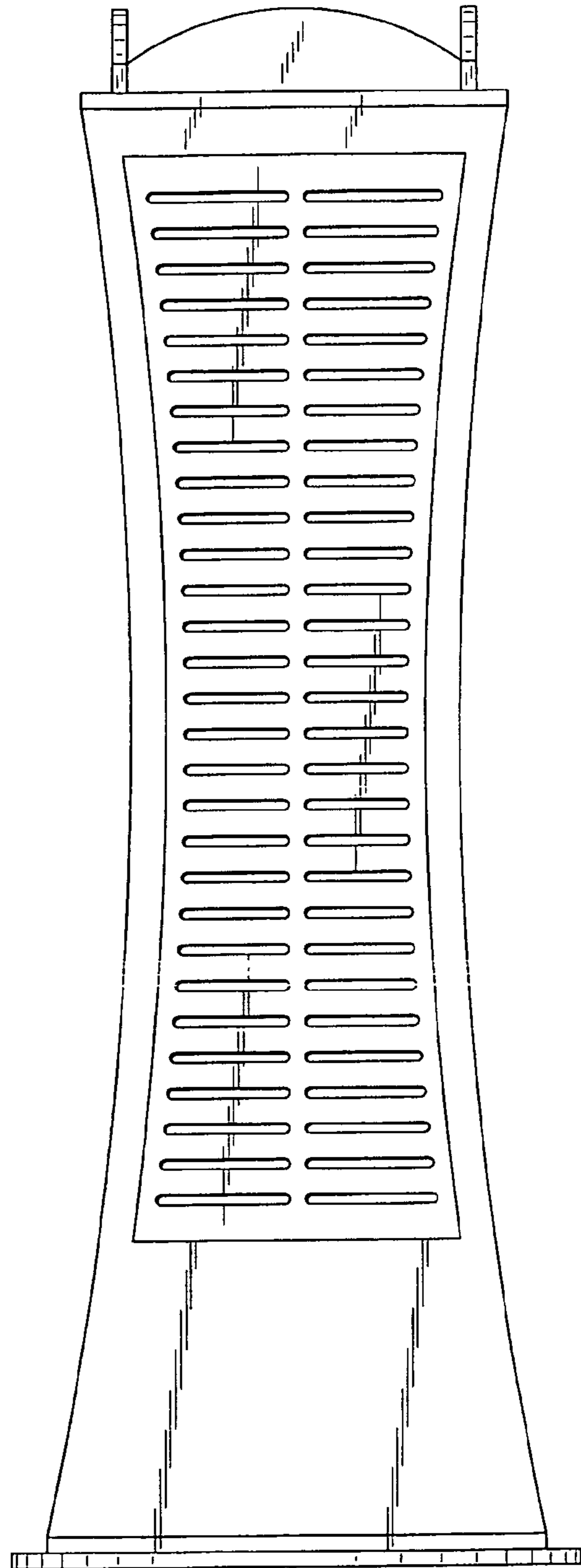


FIG. 3

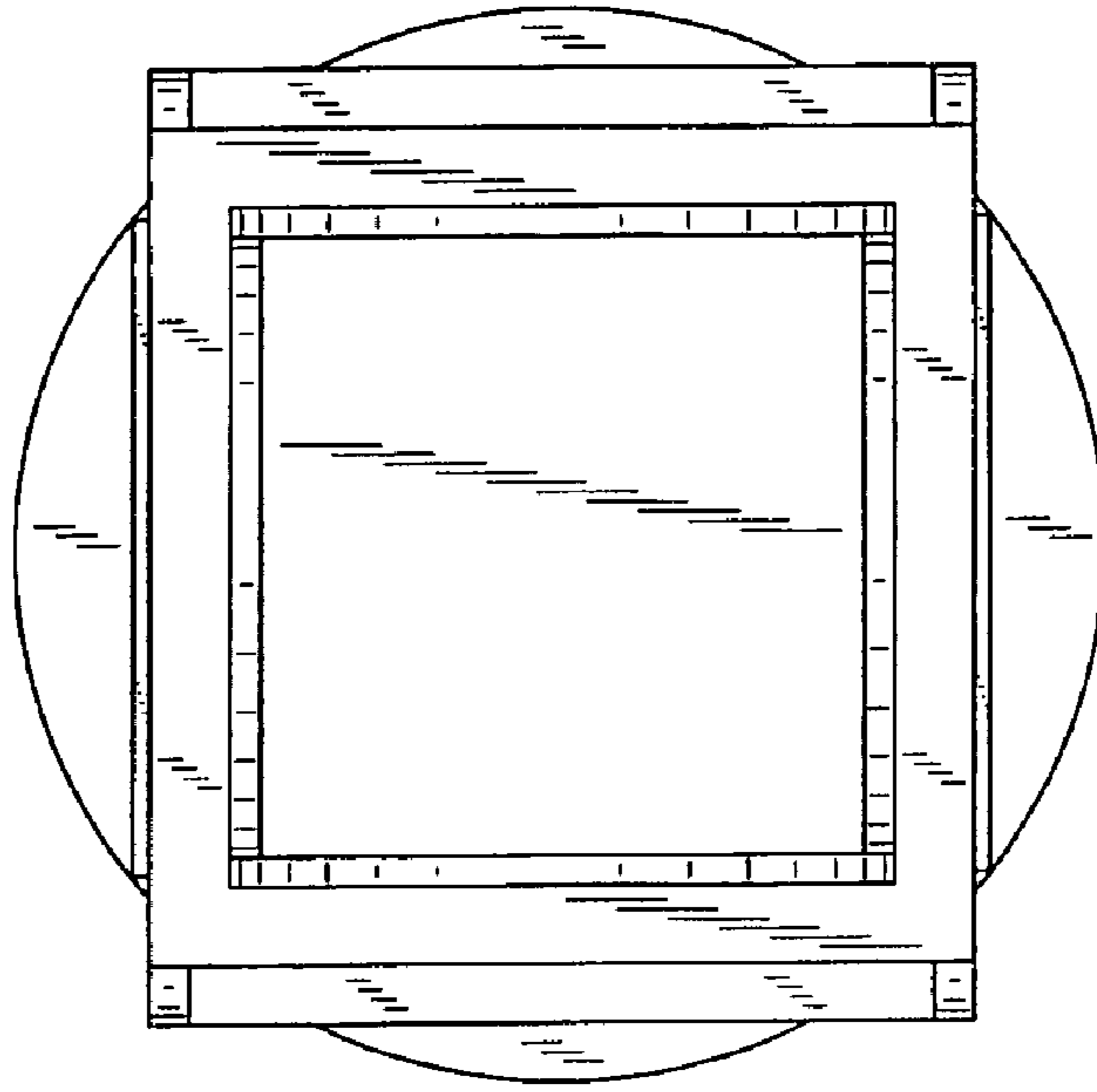


FIG. 4

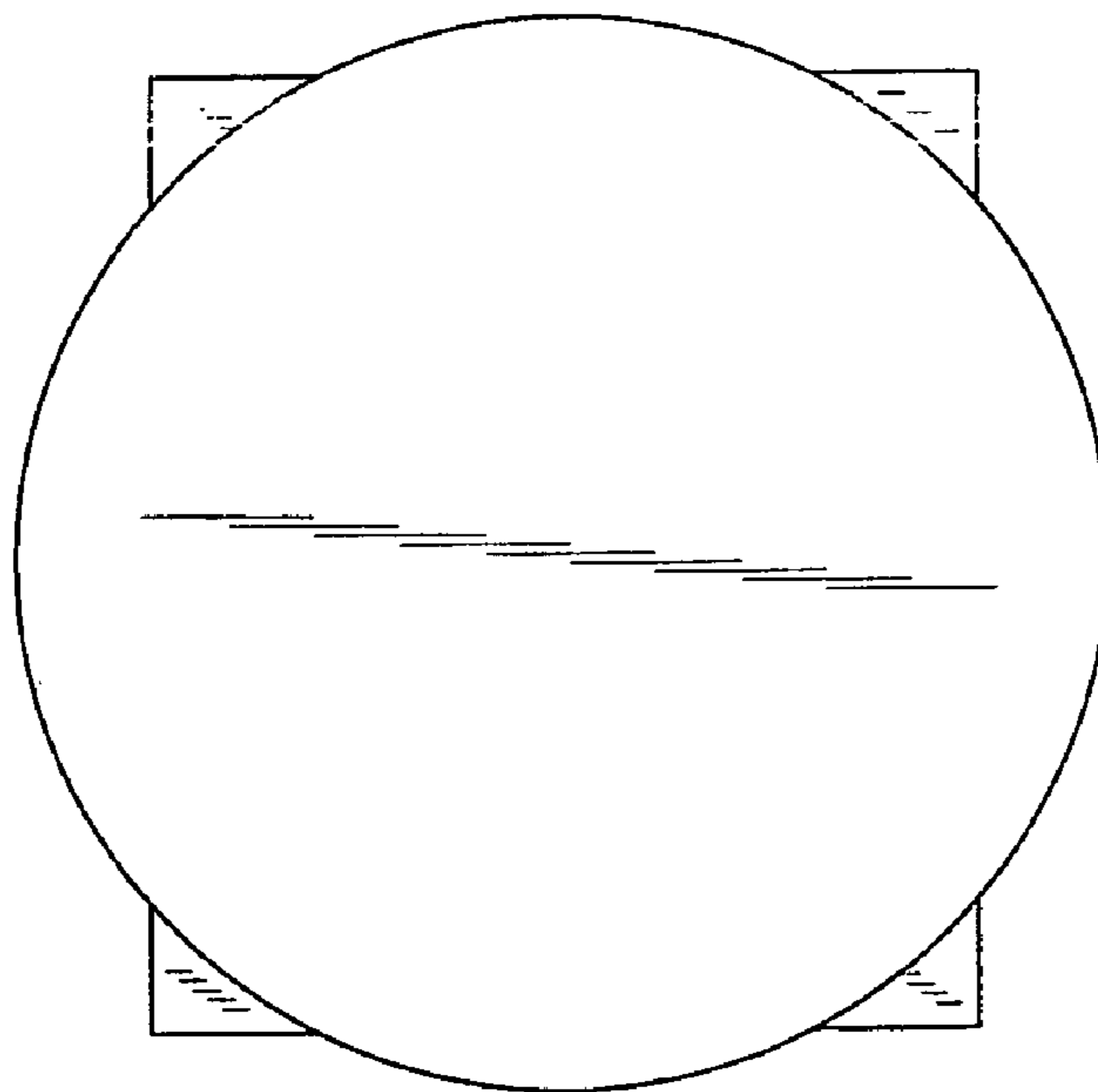


FIG. 5

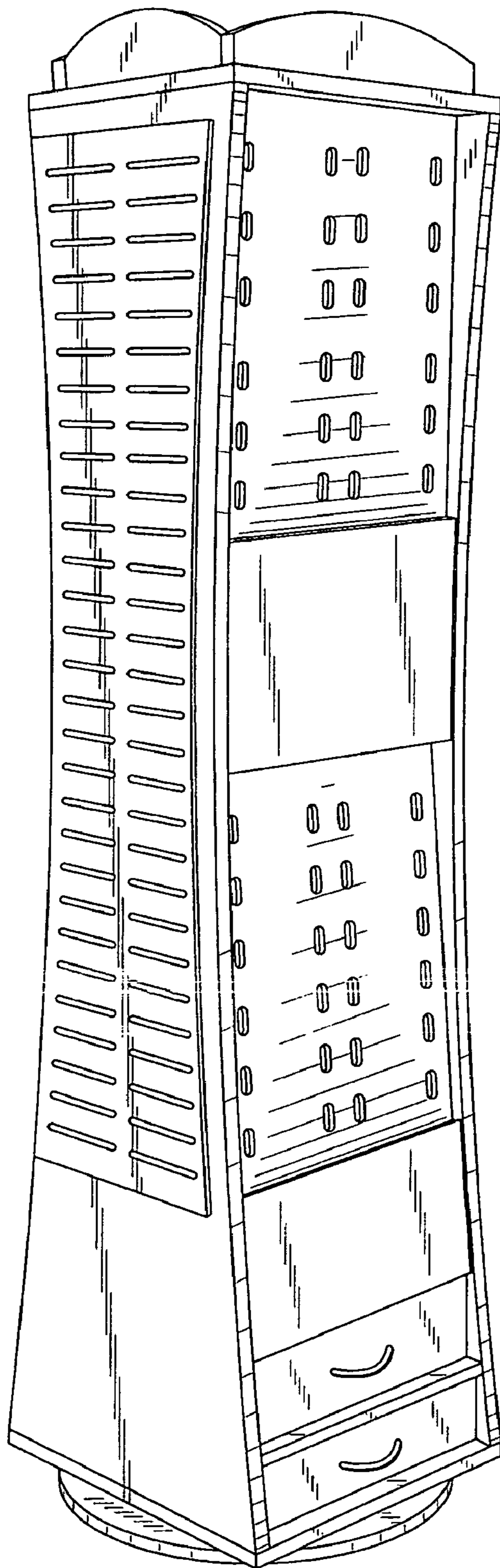


FIG. 6

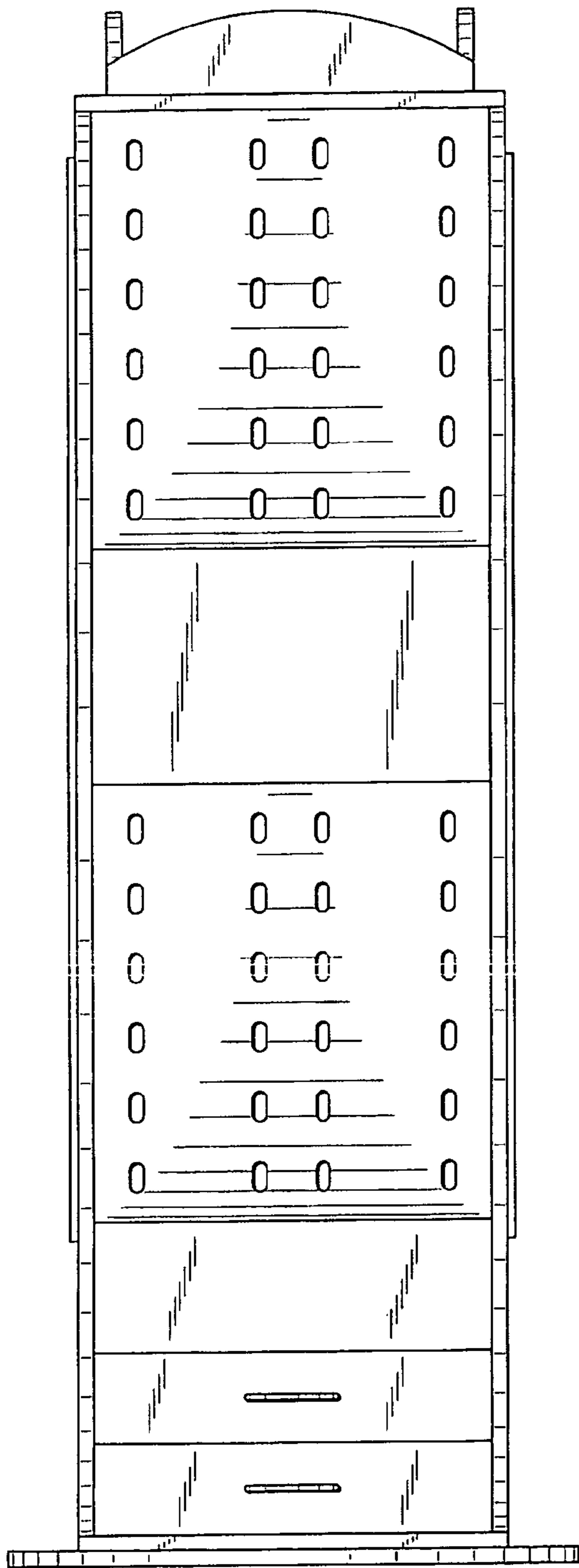


FIG. 7

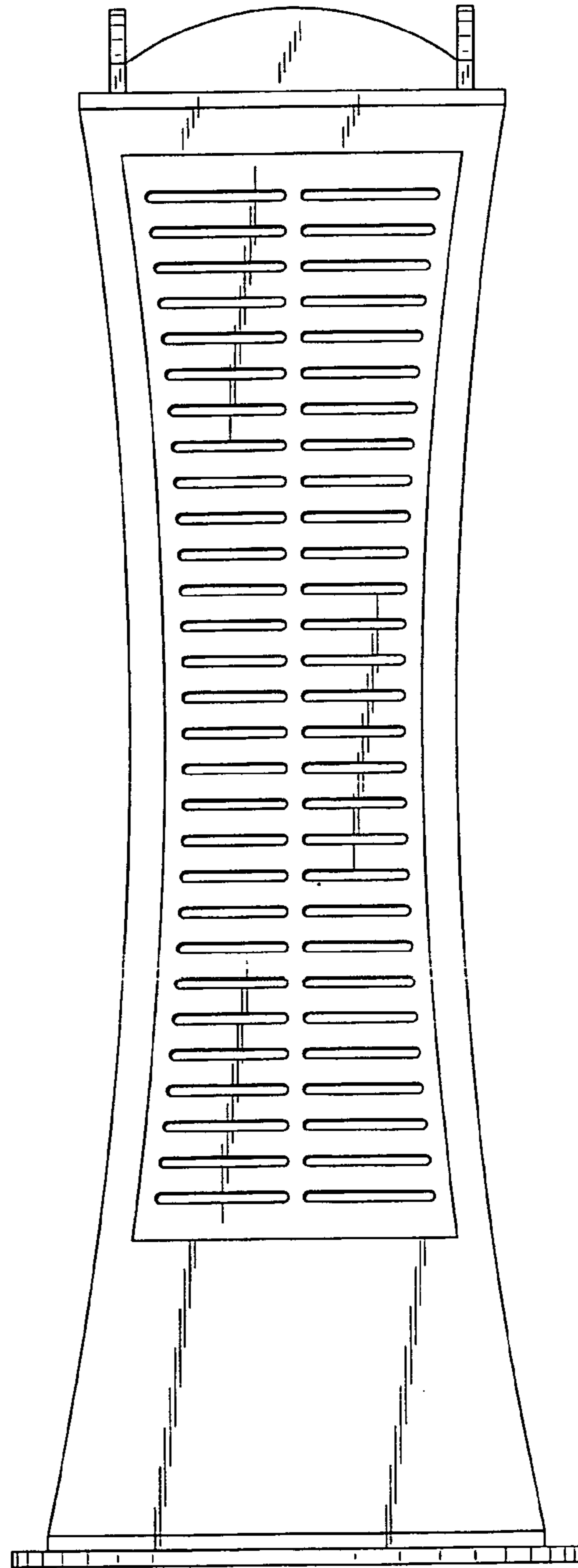


FIG. 8

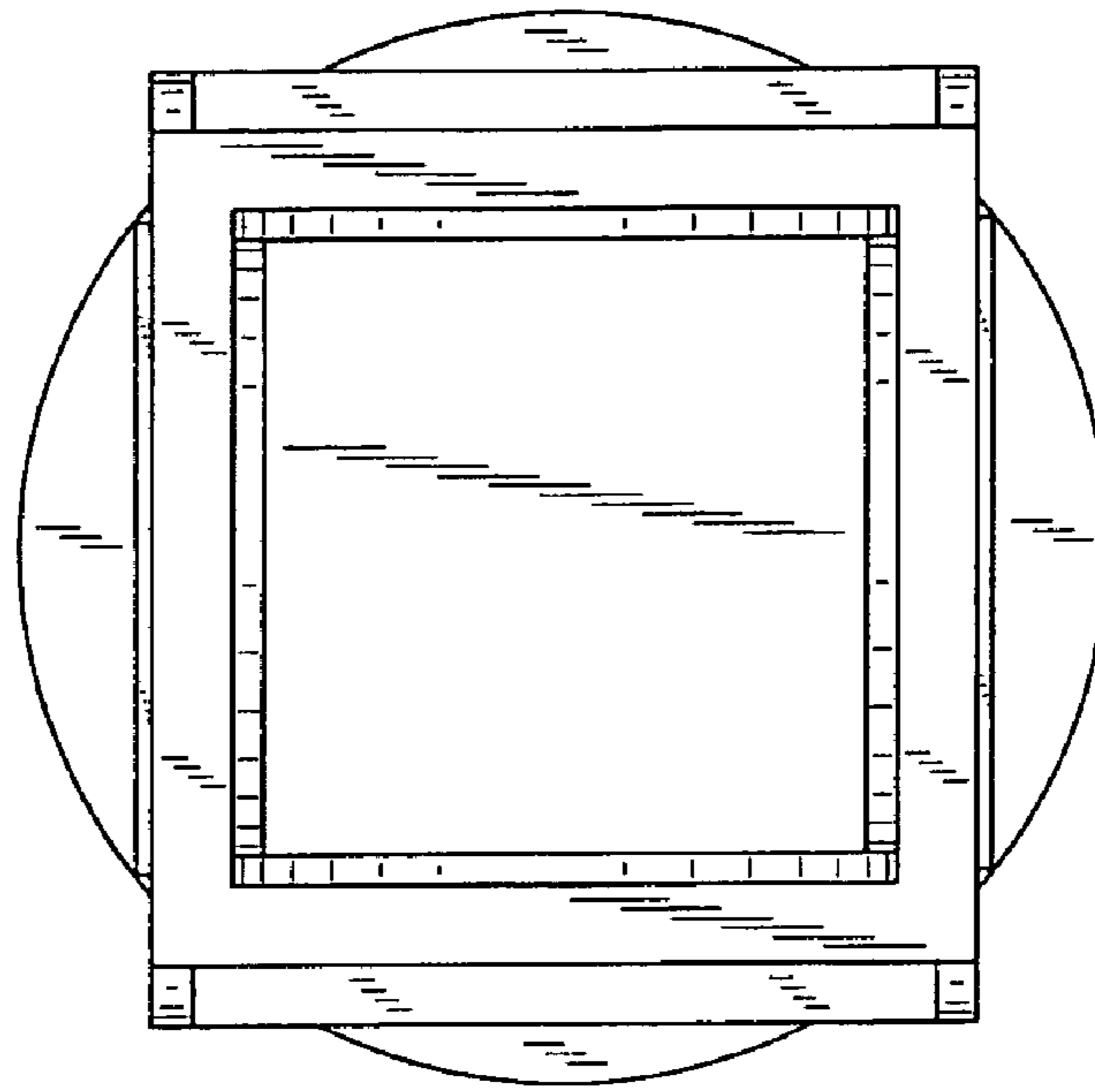


FIG. 9

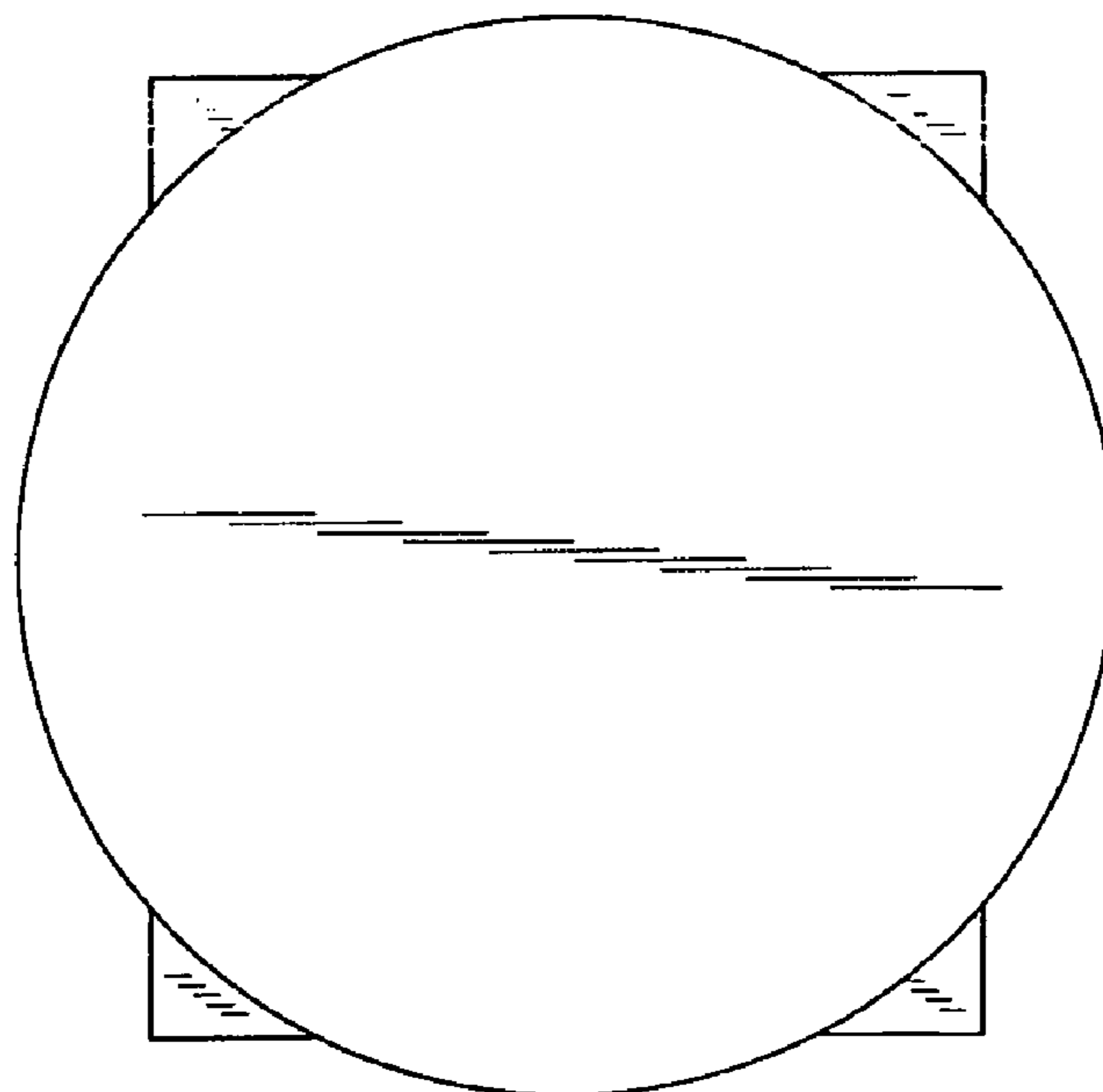


FIG. 10