



US00D653871S

(12) **United States Design Patent**
Jakobsen et al.

(10) **Patent No.:** **US D653,871 S**
(45) **Date of Patent:** **** Feb. 14, 2012**

(54) **CHAIR**

(75) Inventors: **Asger Hartvigsen Jakobsen**, Aarhus C (DK); **Jon Brocker**, Viby J (DK)

(73) Assignee: **Skeie AS** (NO)

(**) Term: **14 Years**

(21) Appl. No.: **29/354,895**

(22) Filed: **Jan. 29, 2010**

(30) **Foreign Application Priority Data**

Aug. 3, 2009 (NO) 20090399

(51) **LOC (9) Cl.** **06-04**

(52) **U.S. Cl.** **D6/368**

(58) **Field of Classification Search** D6/364–365,
D6/335–336, 367–368, 371–374, 381, 500–502;
297/232, 248, 311, 324, 326, 332, 335, 411.45,
297/451.5, 120, 452.11

See application file for complete search history.

(56) **References Cited**

U.S. PATENT DOCUMENTS

D412,622 S *	8/1999	DeJule	D6/371
D417,792 S *	12/1999	Hansen et al.	D6/366
D439,428 S *	3/2001	Mizuno	D6/368
D445,579 S *	7/2001	Olson	D6/366
D461,321 S *	8/2002	Figueras Mitjans	D6/356
D461,347 S *	8/2002	Tsai	D6/500
D472,722 S *	4/2003	Moll	D6/366
D509,372 S *	9/2005	King	D6/368
D509,969 S *	9/2005	Loew et al.	D6/366
D521,756 S *	5/2006	Moffa et al.	D6/368
D535,126 S *	1/2007	Loew et al.	D6/500
D536,890 S *	2/2007	Loew et al.	D6/366
D542,580 S *	5/2007	Loew et al.	D6/502

D599,125 S *	9/2009	Piretti	D6/366
D604,956 S *	12/2009	Blomstrom et al.	D6/373
D622,985 S *	9/2010	Kubryk	D6/500
D623,447 S *	9/2010	Kubryk	D6/500
D638,634 S *	5/2011	Figueras Mitjans	D6/364

* cited by examiner

Primary Examiner — Elizabeth Albert

Assistant Examiner — Kelley Donnelly

(74) *Attorney, Agent, or Firm* — Andrus, Scales, Starke & Sawall, LLP

(57) **CLAIM**

The ornamental design for a chair, as shown and described.

DESCRIPTION

FIG. 1 is a perspective view of a first embodiment of a chair of the claimed design;

FIG. 2 is a left side view thereof;

FIG. 3 is a front view thereof;

FIG. 4 is a back view thereof;

FIG. 5 is a top view thereof;

FIG. 6 is a perspective view of a second embodiment of a chair of the claimed design;

FIG. 7 is a left side view thereof;

FIG. 8 is a front view thereof;

FIG. 9 is a back view thereof;

FIG. 10 is a top view thereof;

FIG. 11 is a perspective view of a third embodiment of a chair of the claimed design;

FIG. 12 is a left side view thereof;

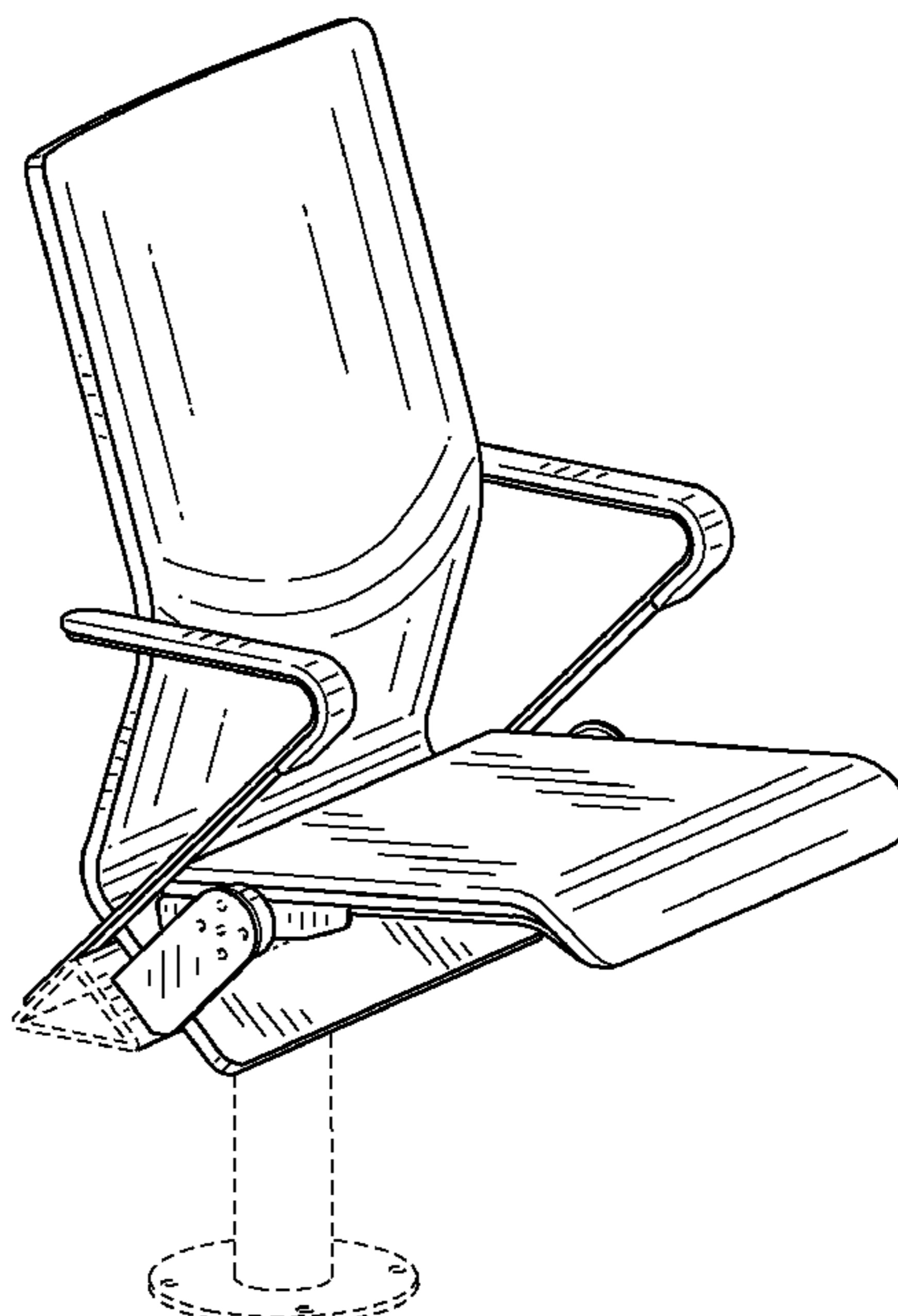
FIG. 13 is a front view thereof;

FIG. 14 is a back view thereof; and,

FIG. 15 is a top view thereof.

The broken lines showing is included for the purpose of illustrating environment of the design and forms no part of the claimed design.

1 Claim, 15 Drawing Sheets



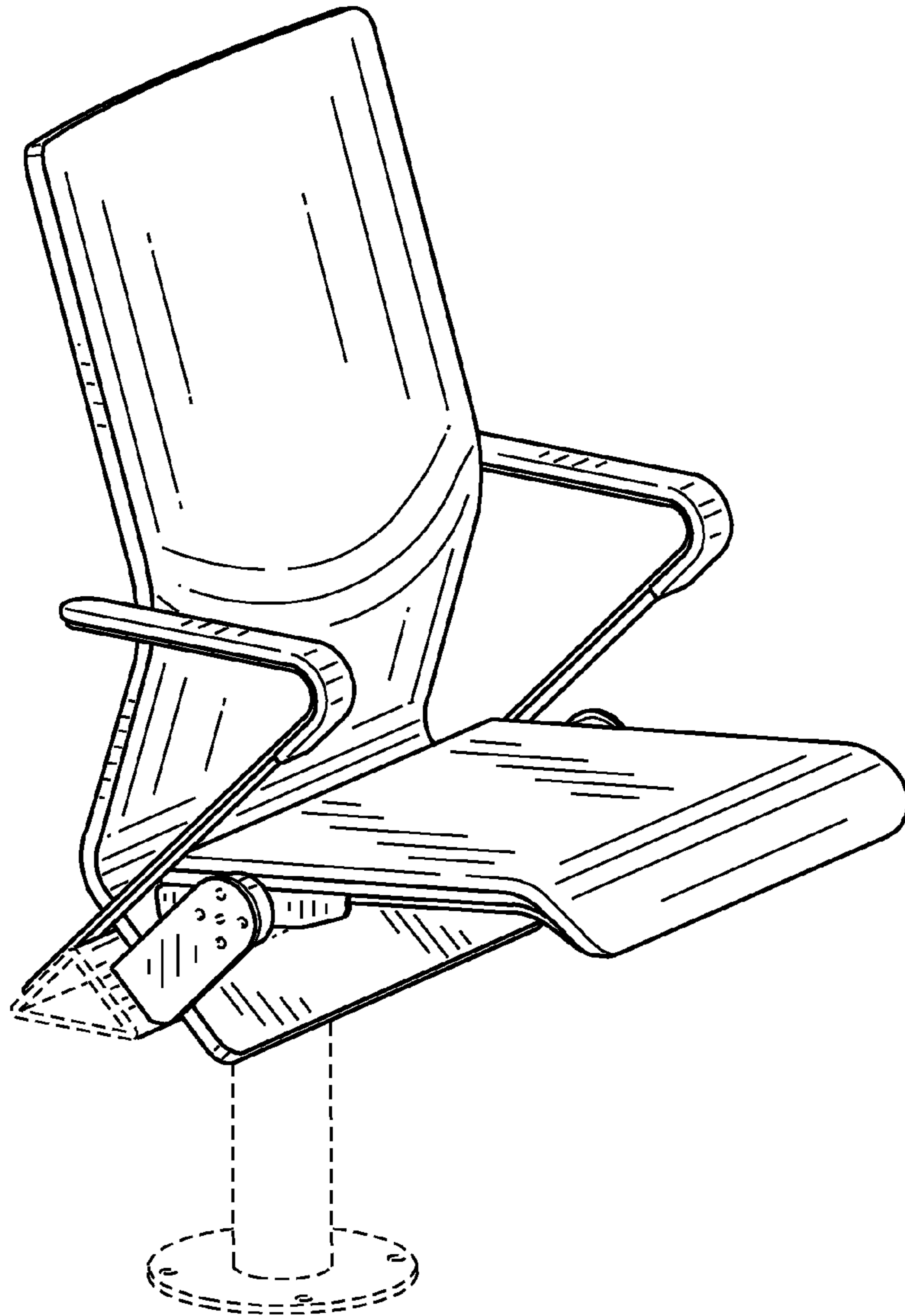


FIG. 1

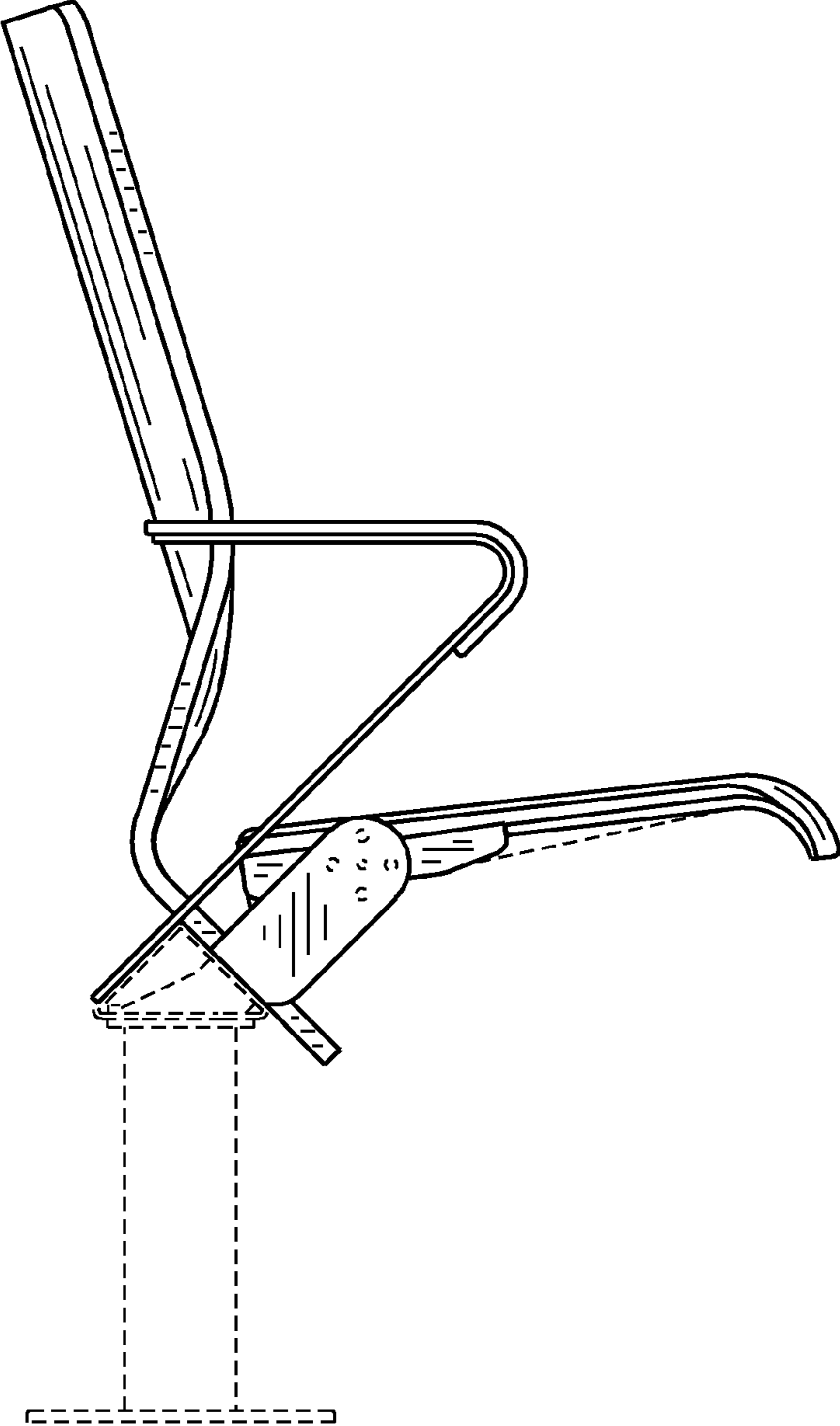


FIG. 2

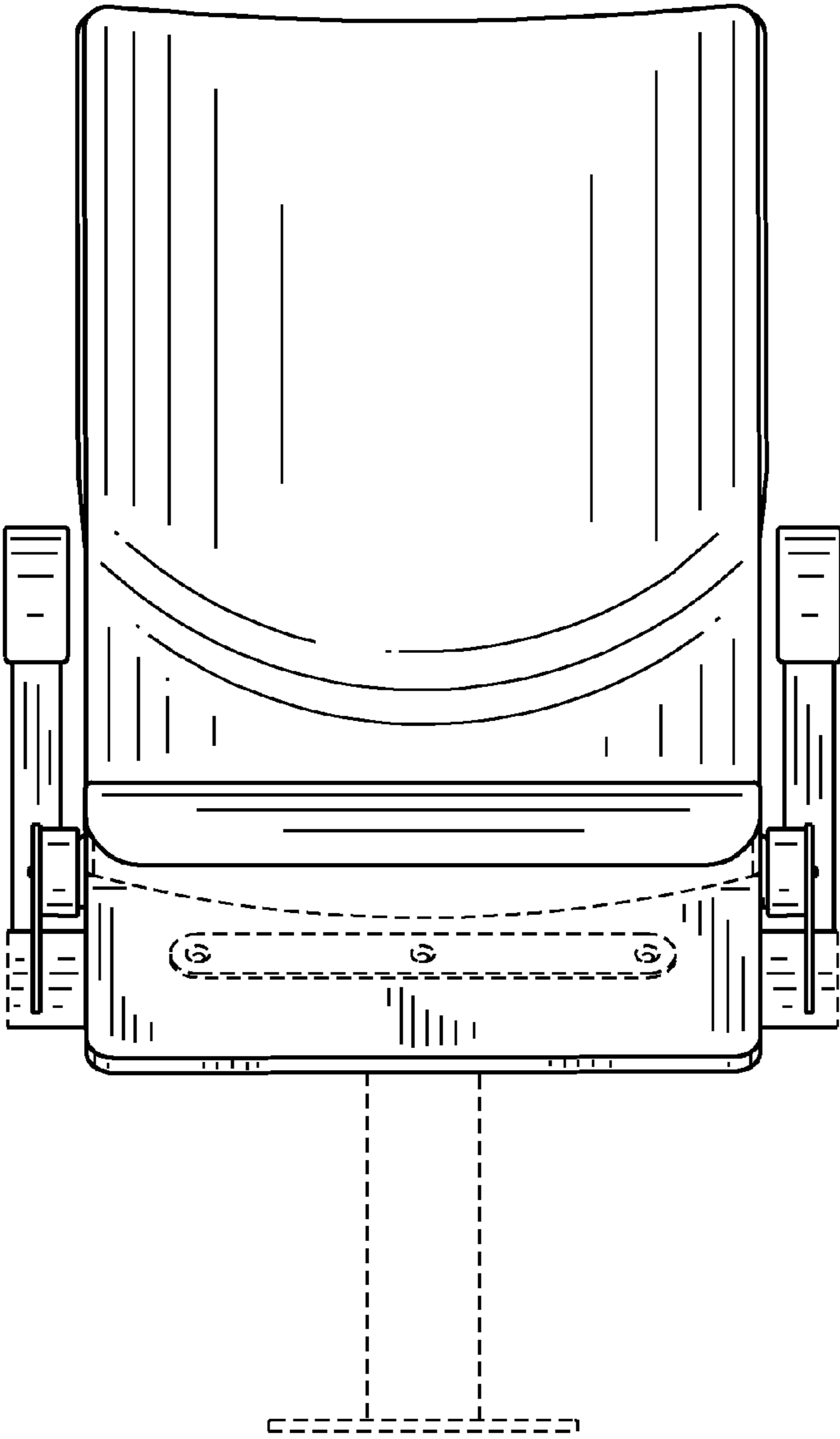


FIG. 3

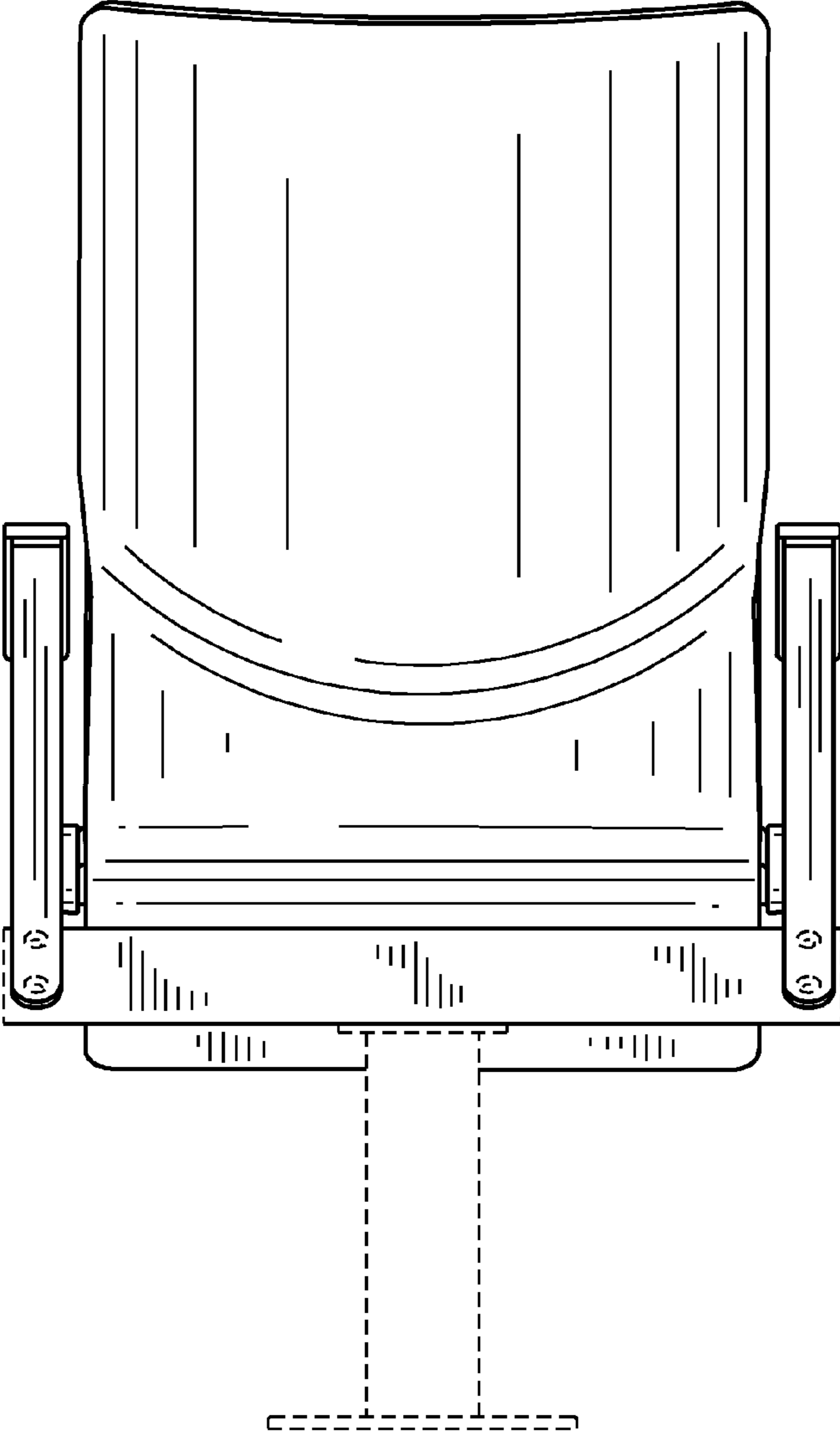


FIG. 4

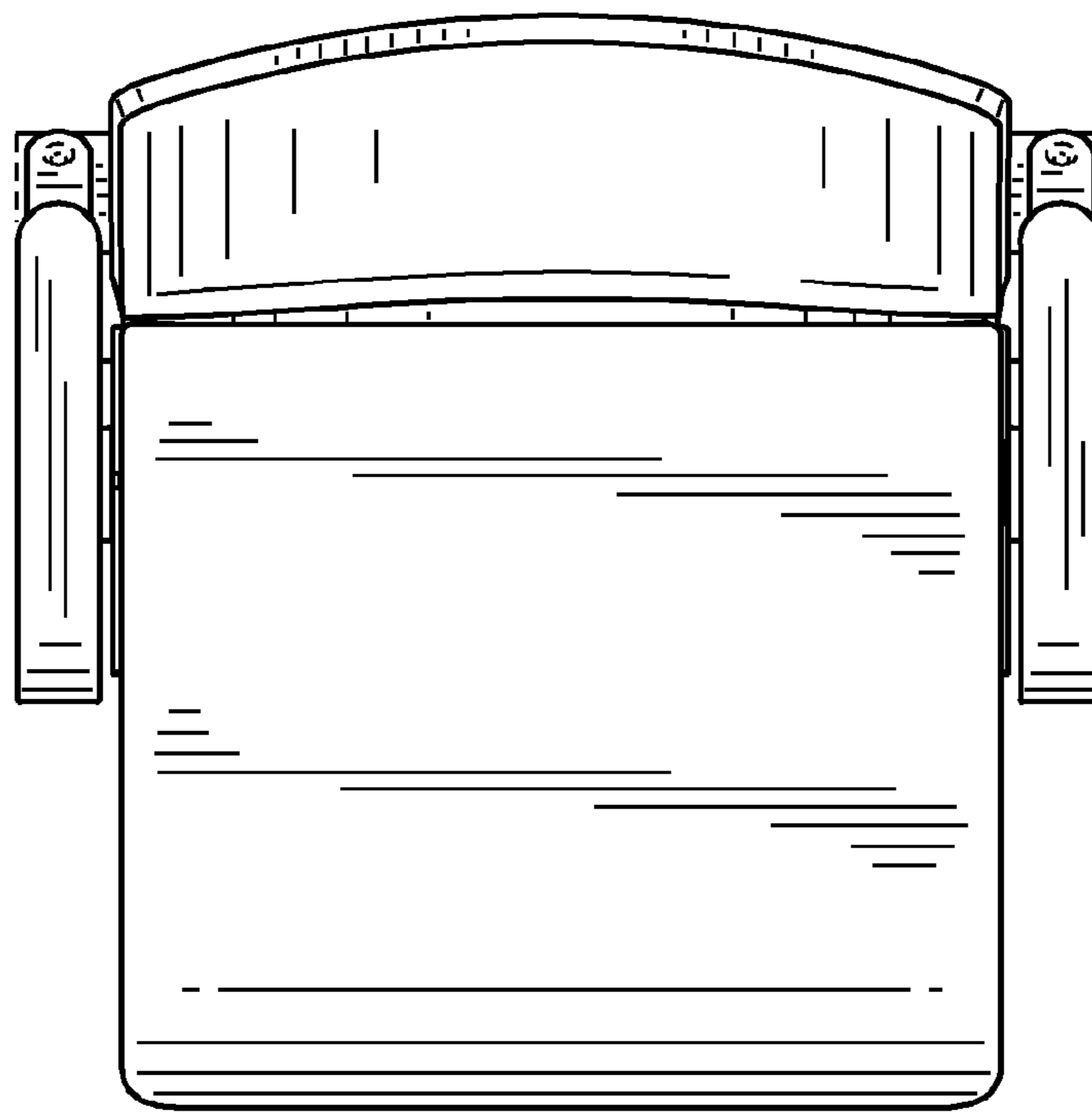


FIG. 5

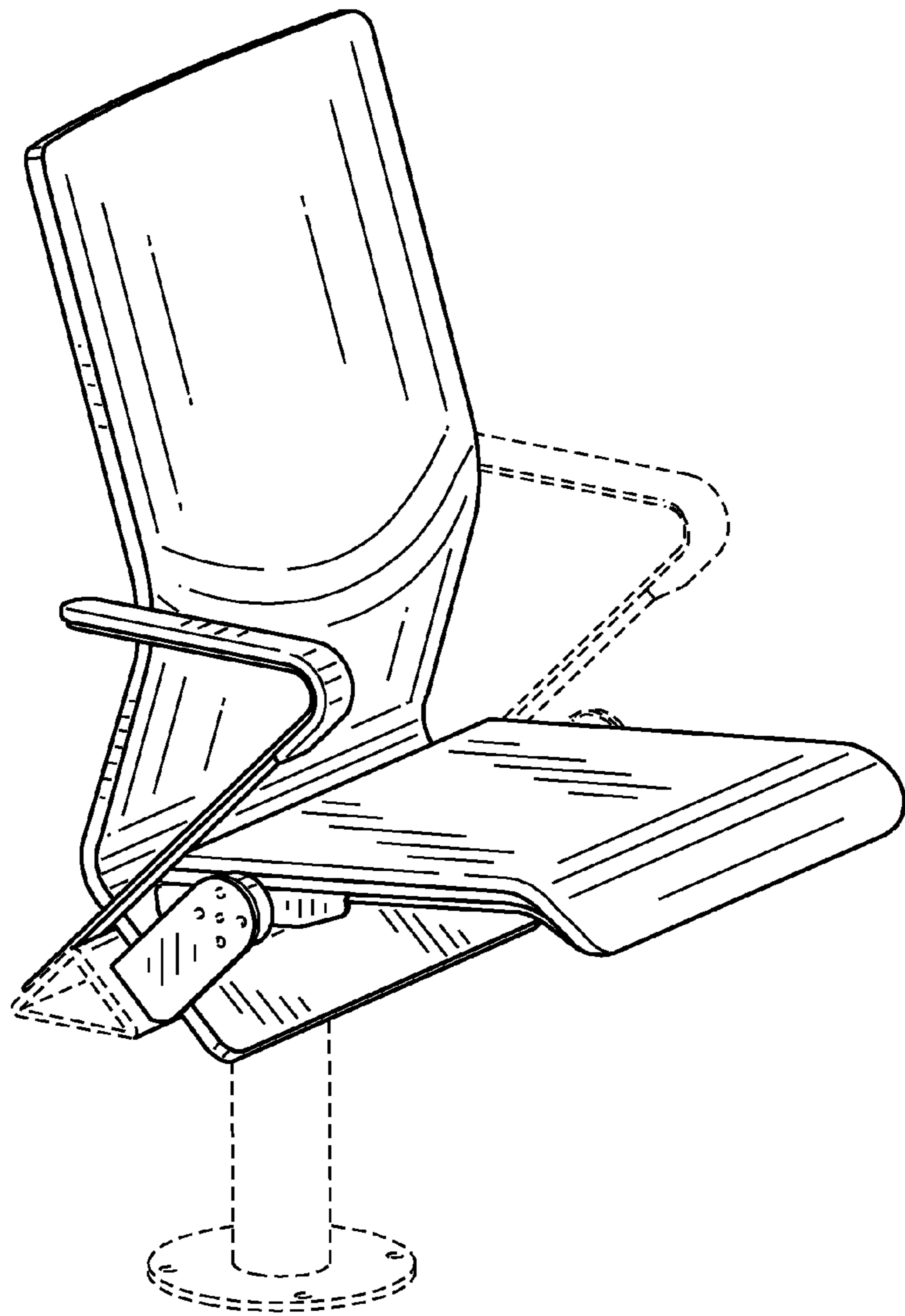


FIG. 6

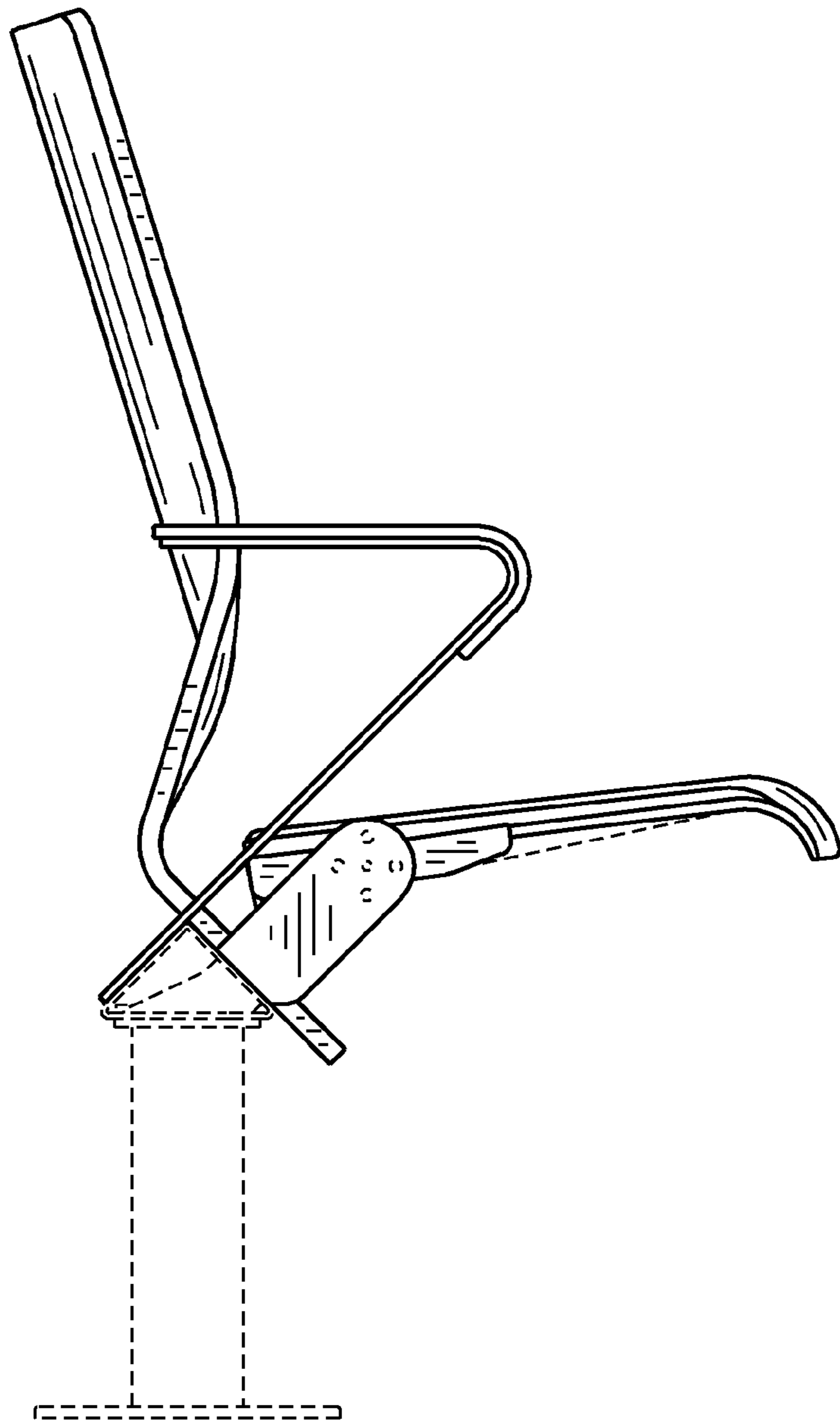


FIG. 7

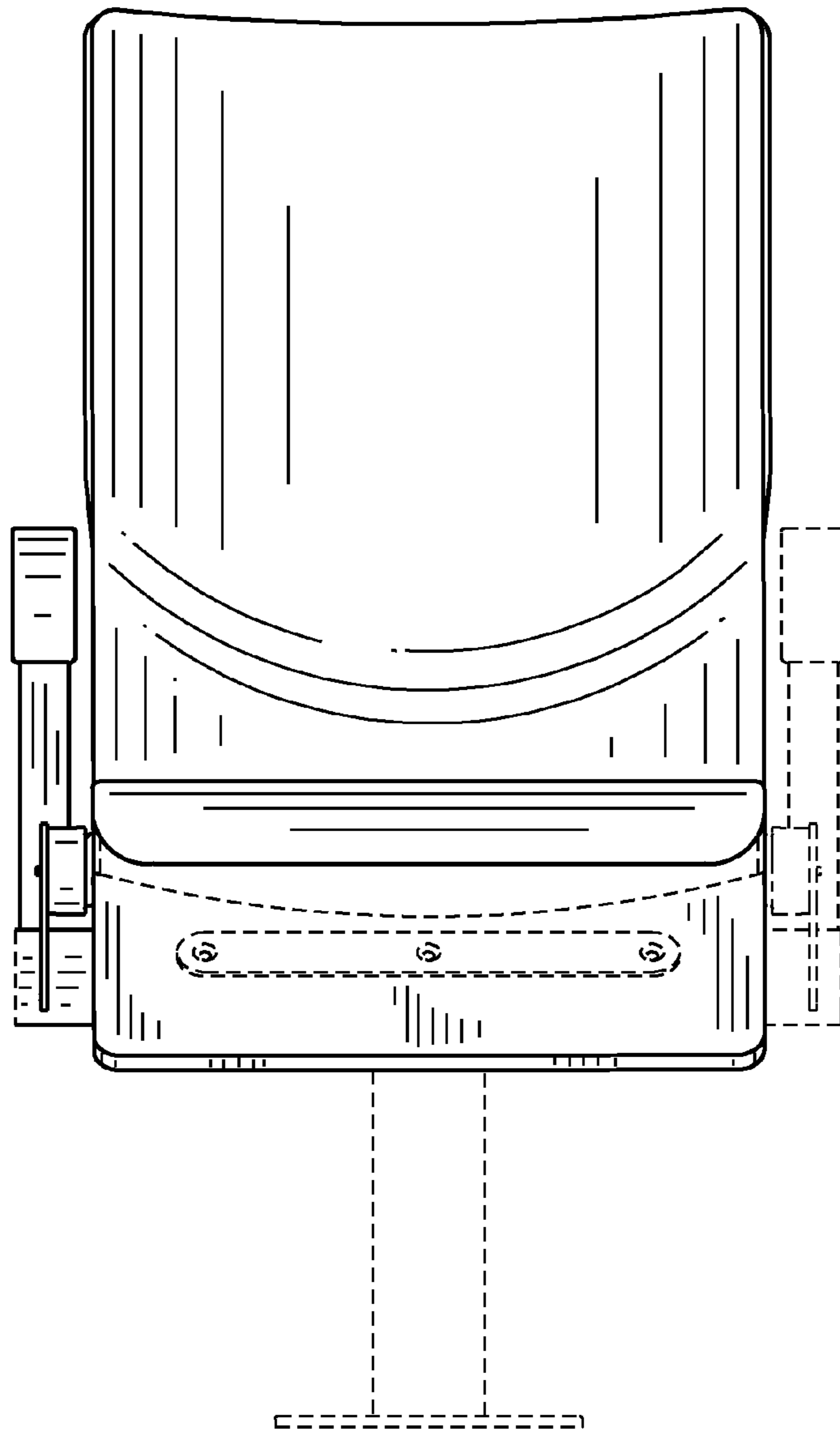


FIG. 8

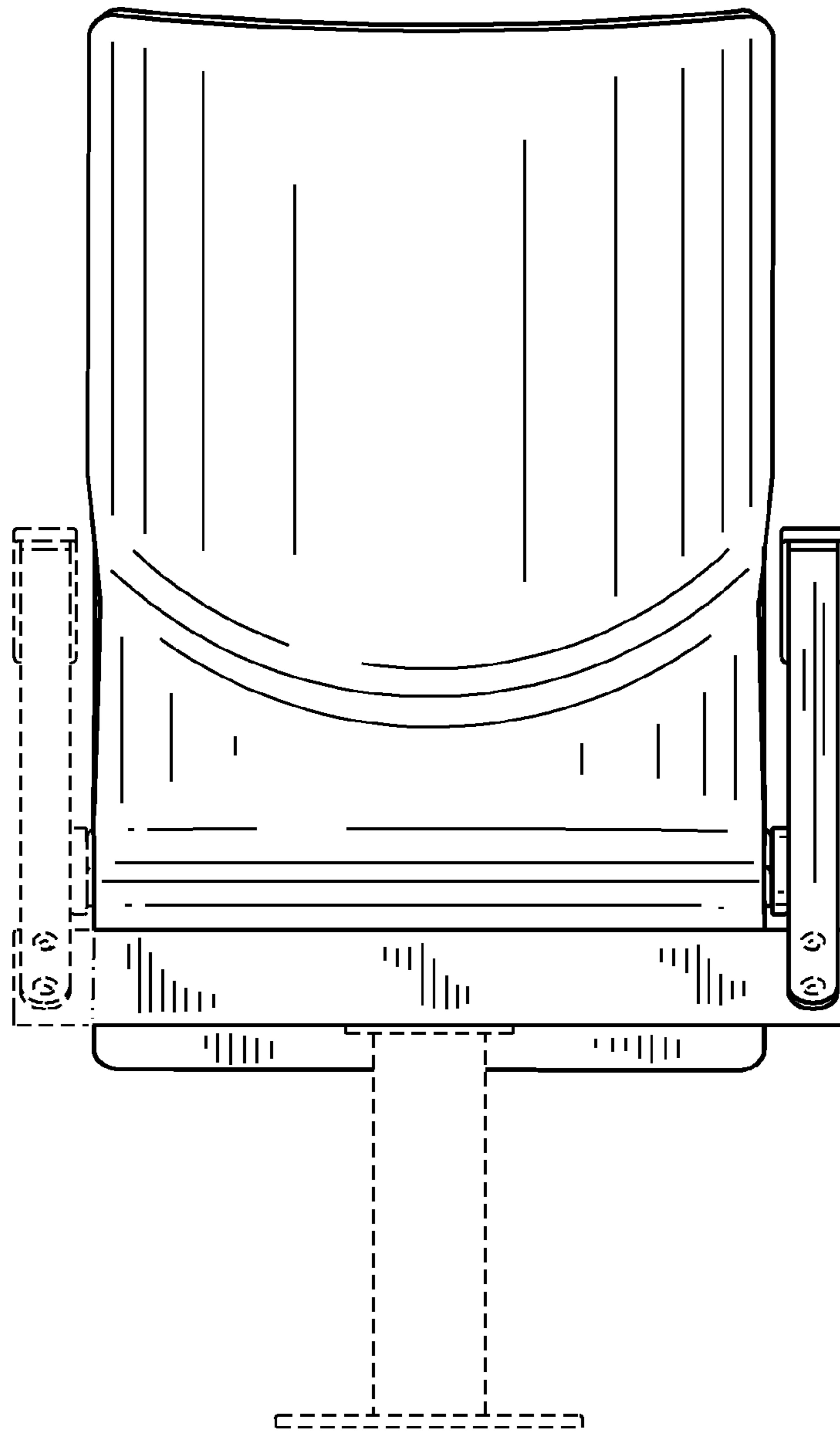


FIG. 9

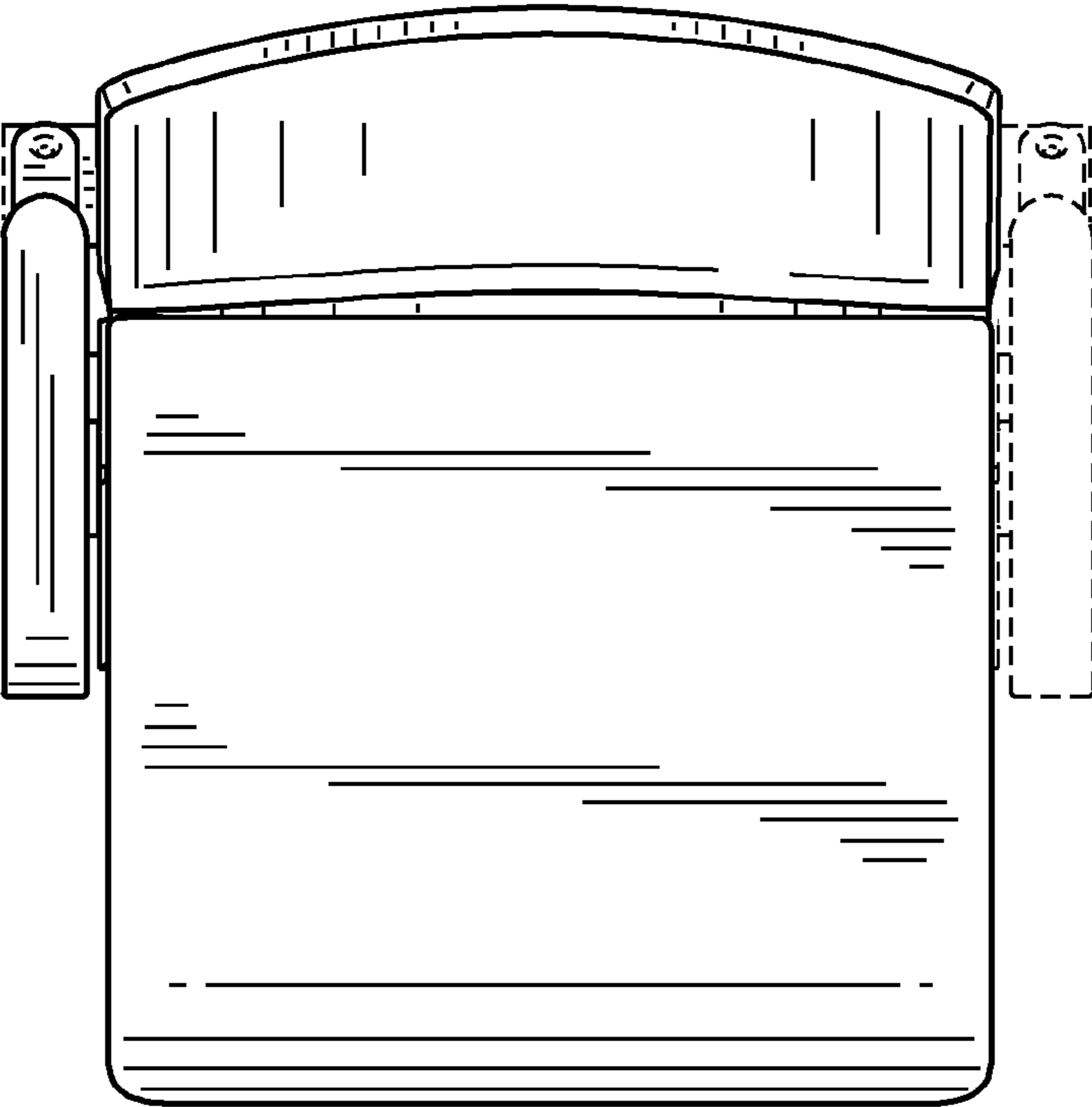


FIG. 10

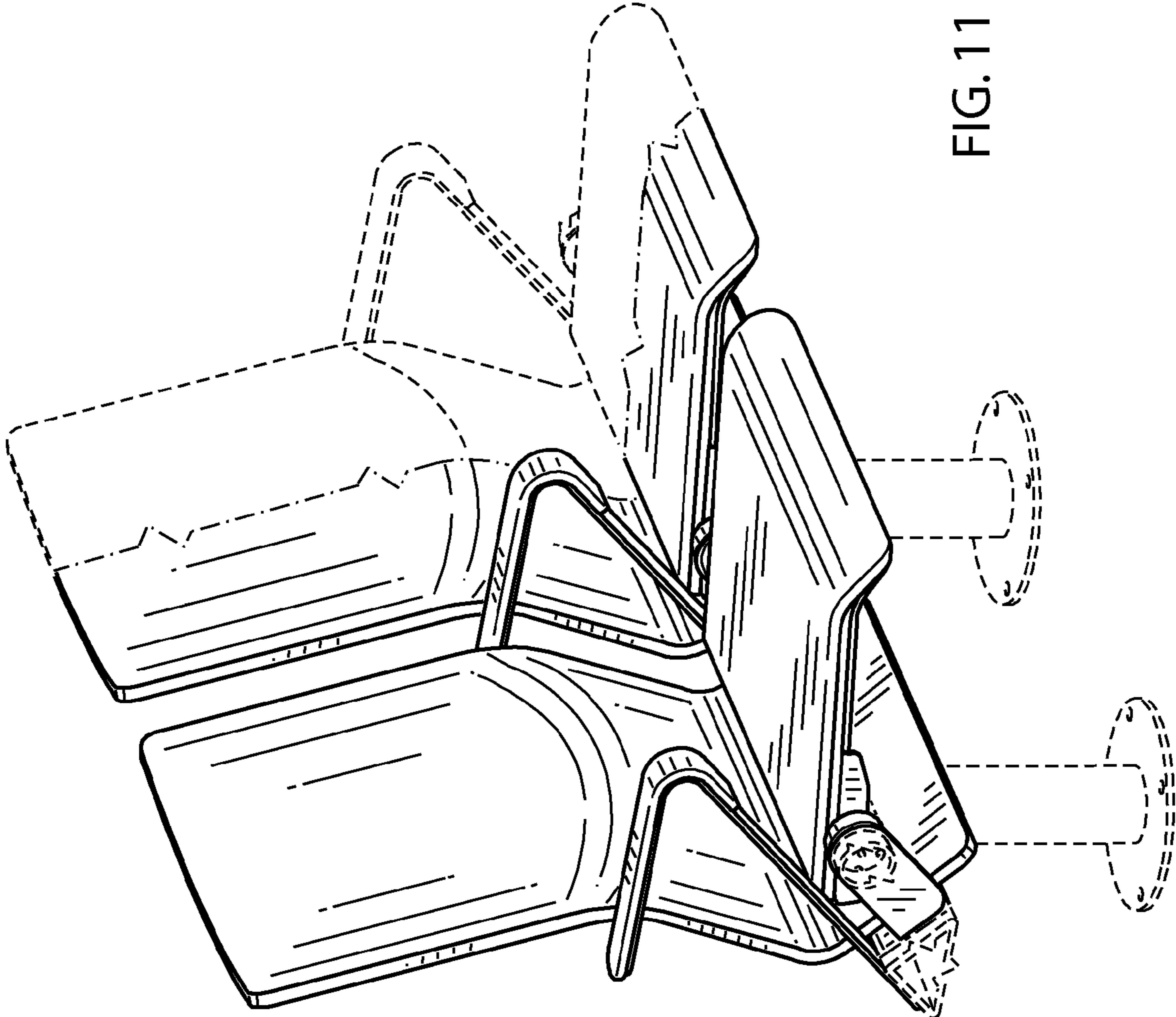


FIG. 11

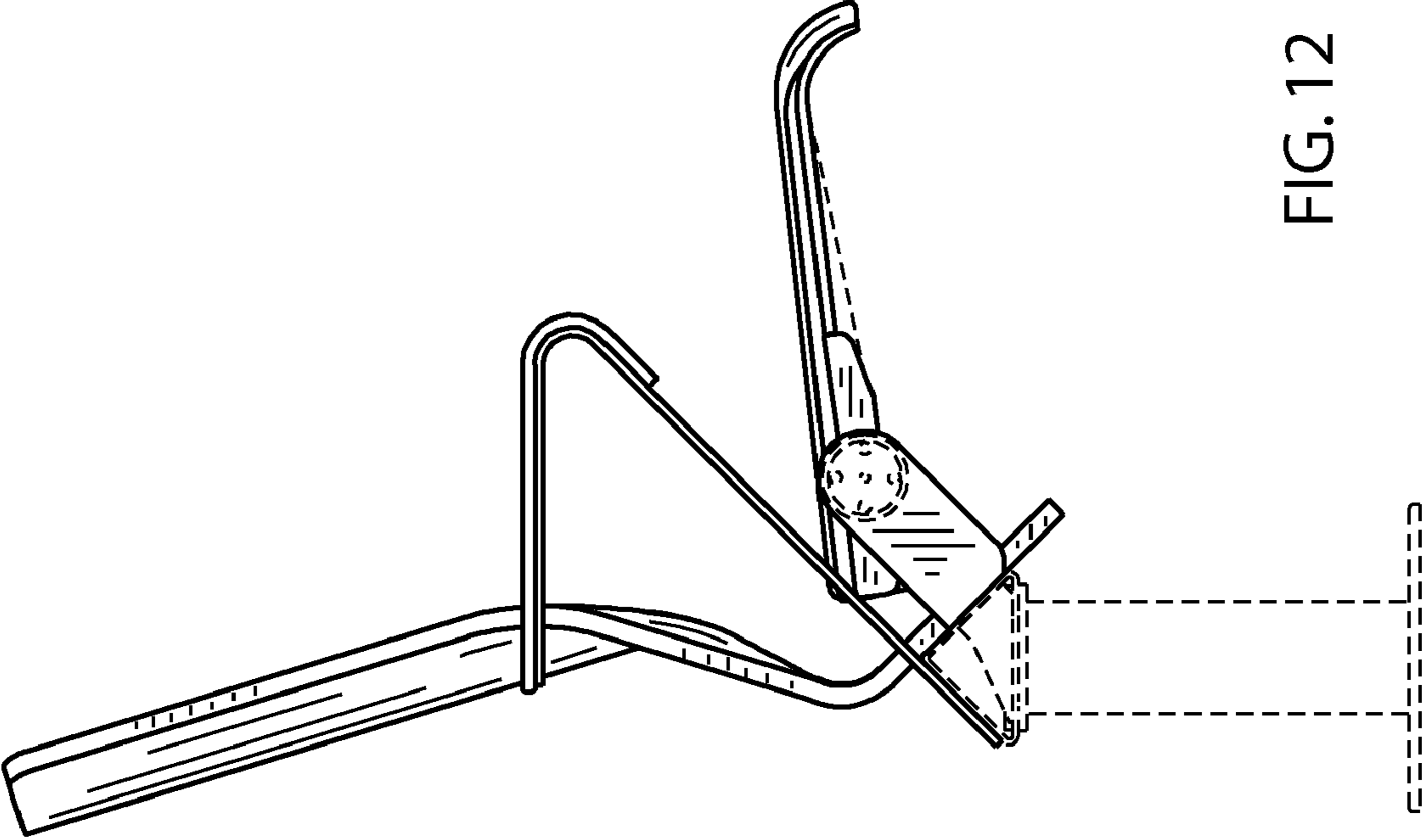
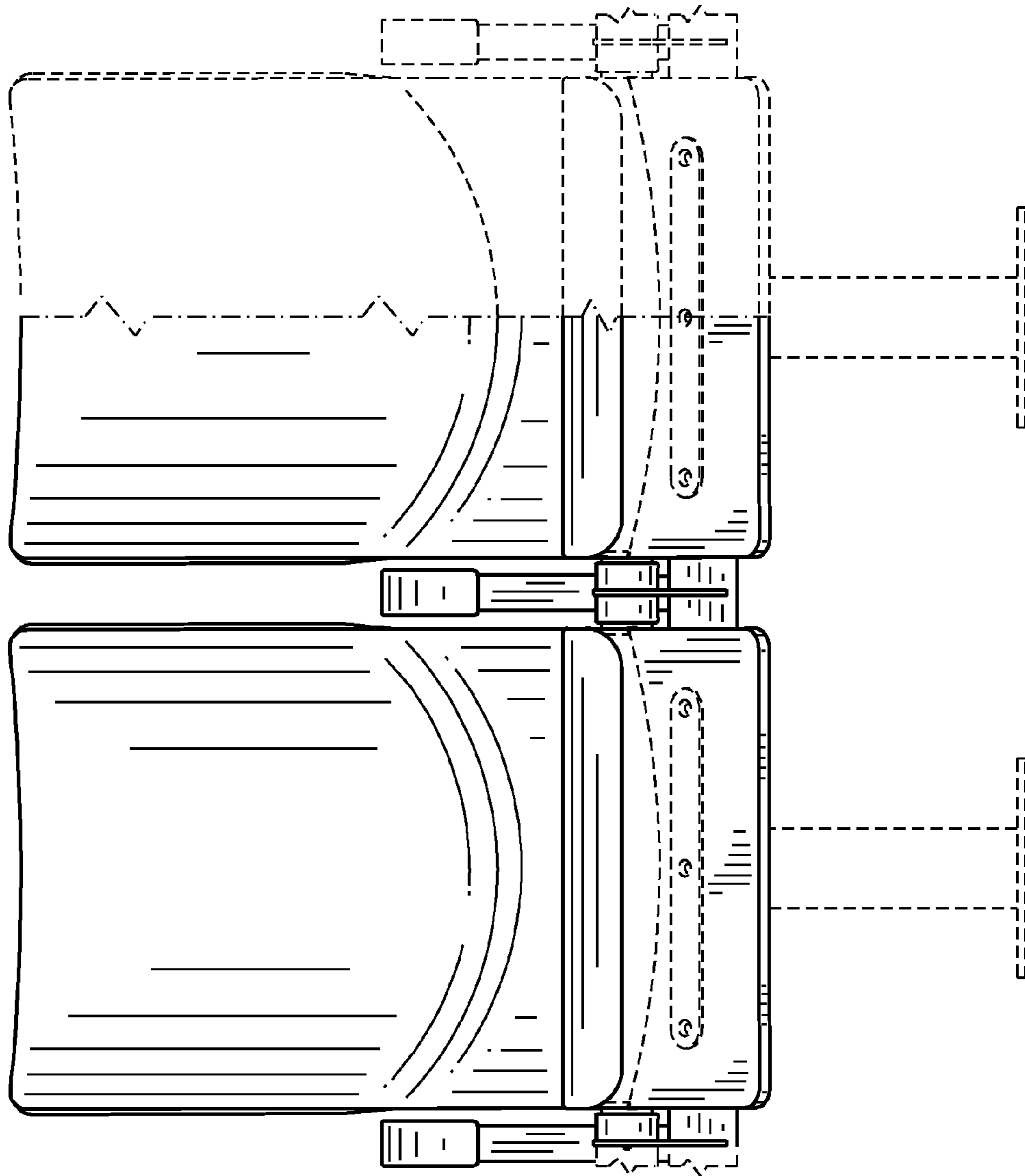


FIG. 12

FIG. 13



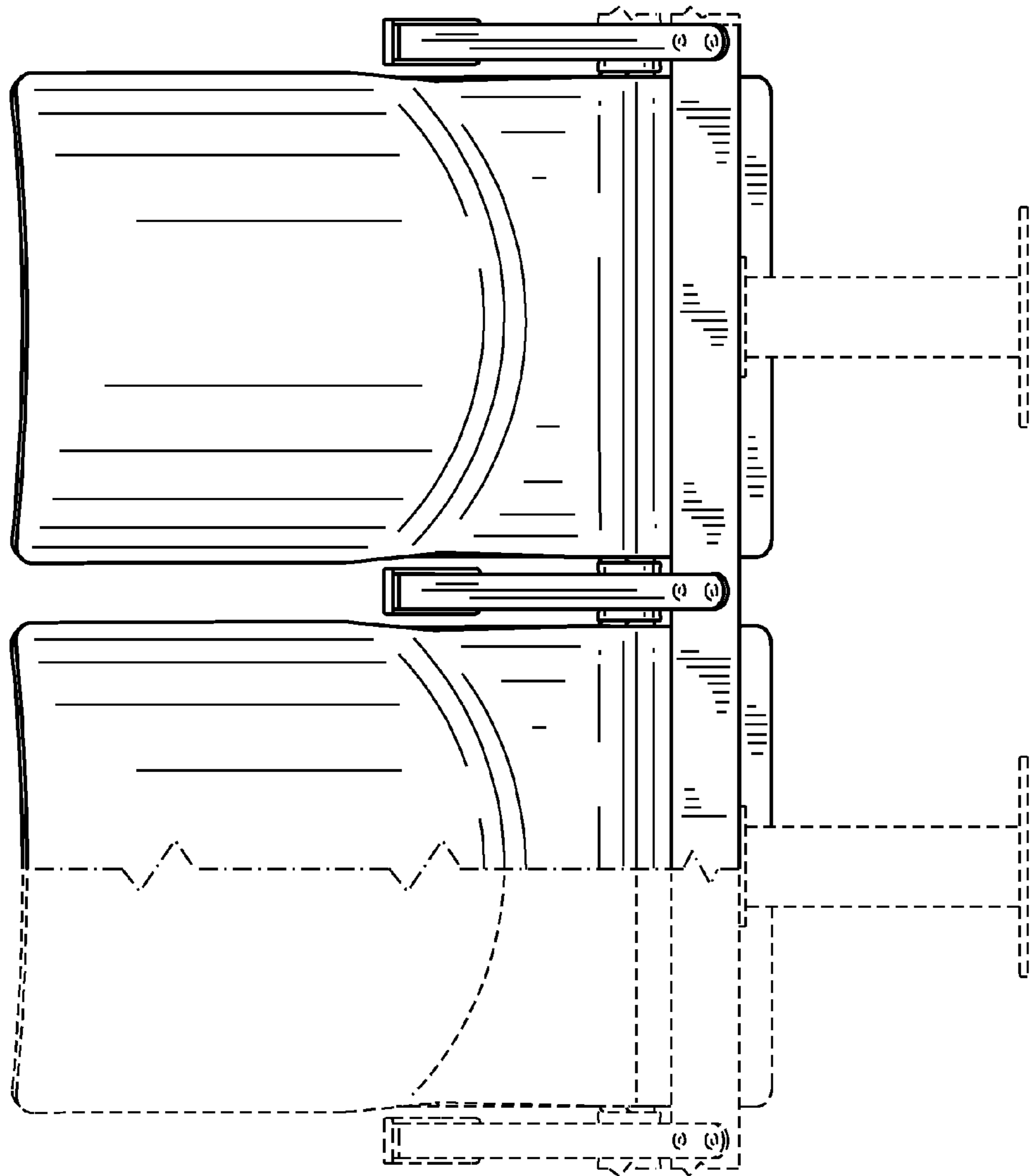


FIG. 14

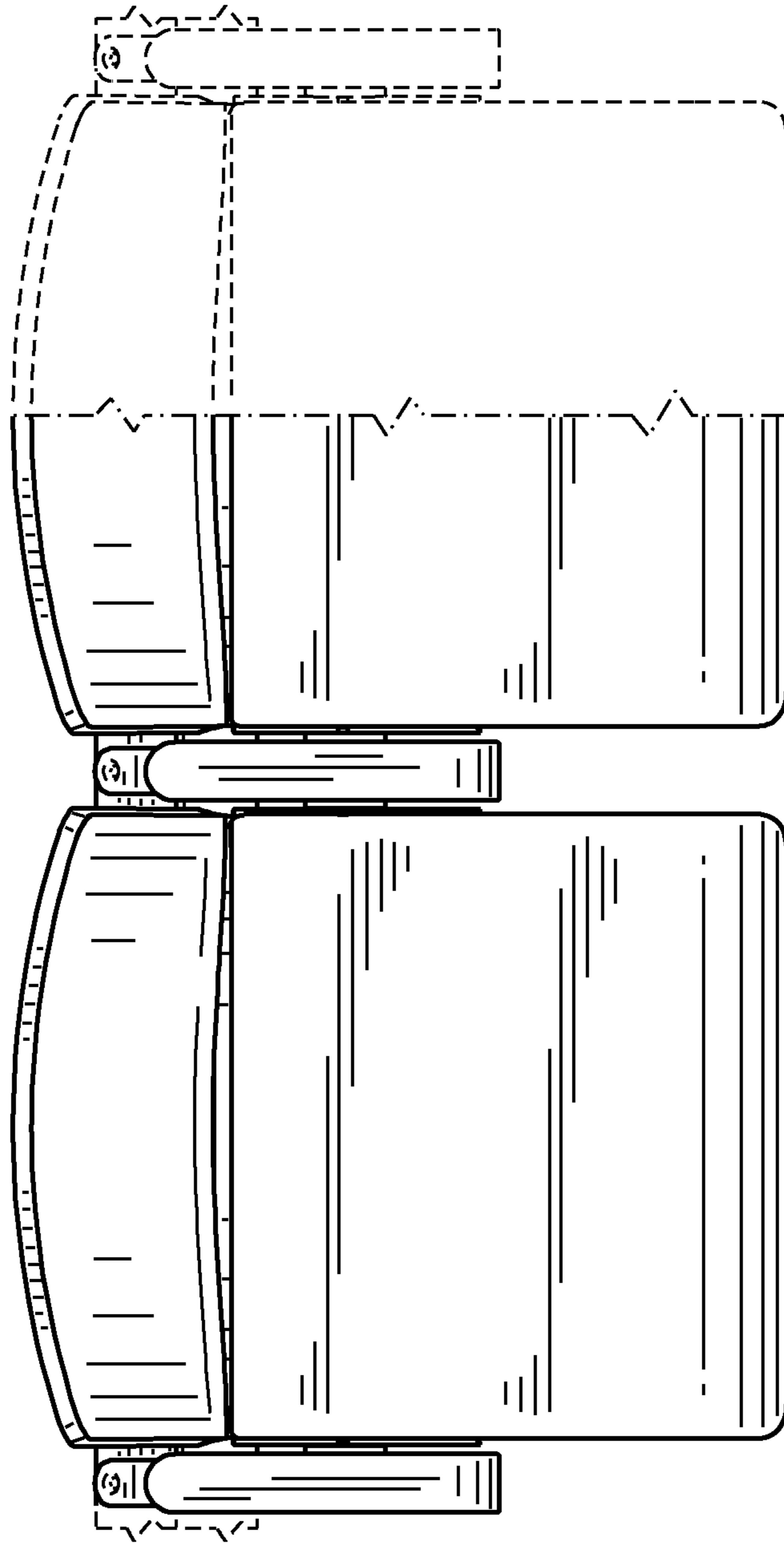


FIG. 15