



(12) **United States Design Patent**  
**Messenger**

(10) **Patent No.:** **US D653,870 S**  
(45) **Date of Patent:** **\*\* Feb. 14, 2012**

(54) **CHAISE CANOPY LOUNGE**  
(76) Inventor: **Darla Messenger**, Las Vegas, NV (US)  
(\*\*) Term: **14 Years**  
(21) Appl. No.: **29/402,706**  
(22) Filed: **Sep. 26, 2011**  
(51) **LOC (9) Cl.** ..... **06-01**  
(52) **U.S. Cl.** ..... **D6/361; D6/369**  
(58) **Field of Classification Search** ..... D6/334-336,  
D6/360, 361, 367, 370, 371-373, 374, 375,  
D6/500-502; 5/12.1, 113, 622, 624, 630;  
297/184.1, 184.11, 184.15, 423.1, 451.9,  
297/452.12, 452.63, 452.64  
See application file for complete search history.

D545,581 S \* 7/2007 Gower ..... D6/361  
D549,981 S 9/2007 Kreiss  
D569,114 S \* 5/2008 Frinier ..... D6/361  
D572,920 S \* 7/2008 van Ierssel et al. .... D6/361  
D572,921 S 7/2008 van Ierssel et al.  
D572,922 S \* 7/2008 Frinier ..... D6/361  
D594,241 S 6/2009 Bergmann et al.  
7,591,032 B2 9/2009 Harrison  
7,740,310 B1 \* 6/2010 Forster ..... 297/184.15

\* cited by examiner

*Primary Examiner* — Mimosa De  
(74) *Attorney, Agent, or Firm* — Cislo & Thomas, LLP

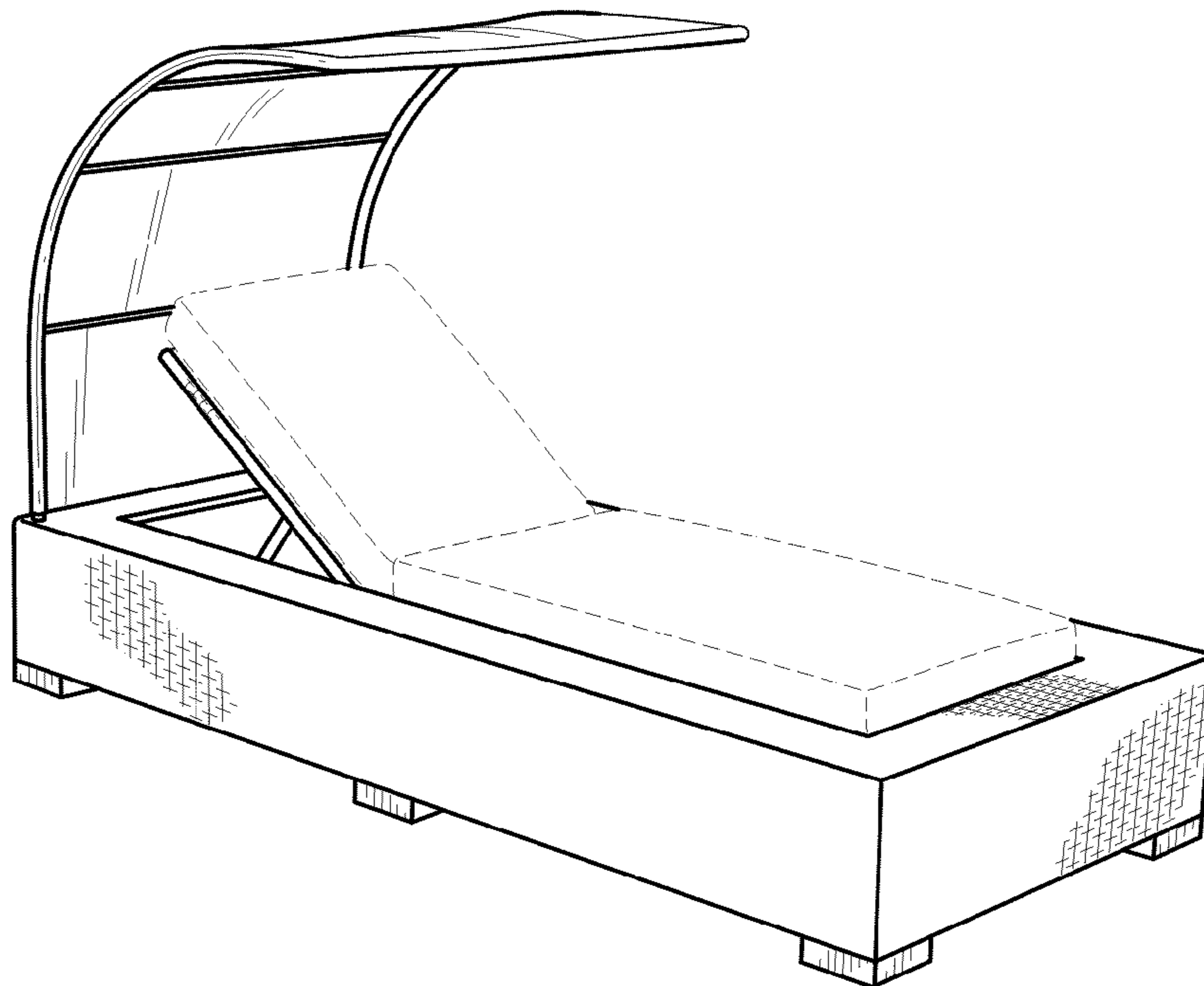
(57) **CLAIM**  
I claim The ornamental design for a chaise canopy lounge, as shown and described.

**DESCRIPTION**

FIG. 1 is a perspective view of my chaise canopy lounge; FIG. 2 is a left side view, the right side (not shown) is a mirror image thereof; FIG. 3 is a front view thereof; FIG. 4 is a rear view thereof; FIG. 5 is a top view thereof; and, FIG. 6 is an enlarged view depicting the surface design of my chaise canopy lounge. The broken lines are for environmental purposes only and form no part of the claimed design. The fragmented depictions of weave pattern shown in the views are understood to repeat throughout the areas shown.

(56) **References Cited**  
**U.S. PATENT DOCUMENTS**  
D47,108 S 3/1915 Hunt  
D90,866 S \* 10/1933 Bielecky ..... D6/335  
D93,004 S \* 8/1934 Debski ..... D6/361  
D94,380 S \* 1/1935 Debski ..... D6/361  
D95,671 S \* 5/1935 Frankl ..... D6/335  
D120,131 S \* 4/1940 Moeller ..... D6/361  
D201,750 S \* 7/1965 Melchior ..... D6/361  
5,069,504 A 12/1991 Felling  
5,135,281 A \* 8/1992 Pappalardo ..... 297/184.15  
D378,171 S 2/1997 Liu  
D486,969 S 2/2004 Weaver  
D531,828 S 11/2006 Frinier  
D533,367 S \* 12/2006 Marin ..... D6/369  
D545,580 S \* 7/2007 Marin ..... D6/361

**1 Claim, 4 Drawing Sheets**



*FIG. 1*

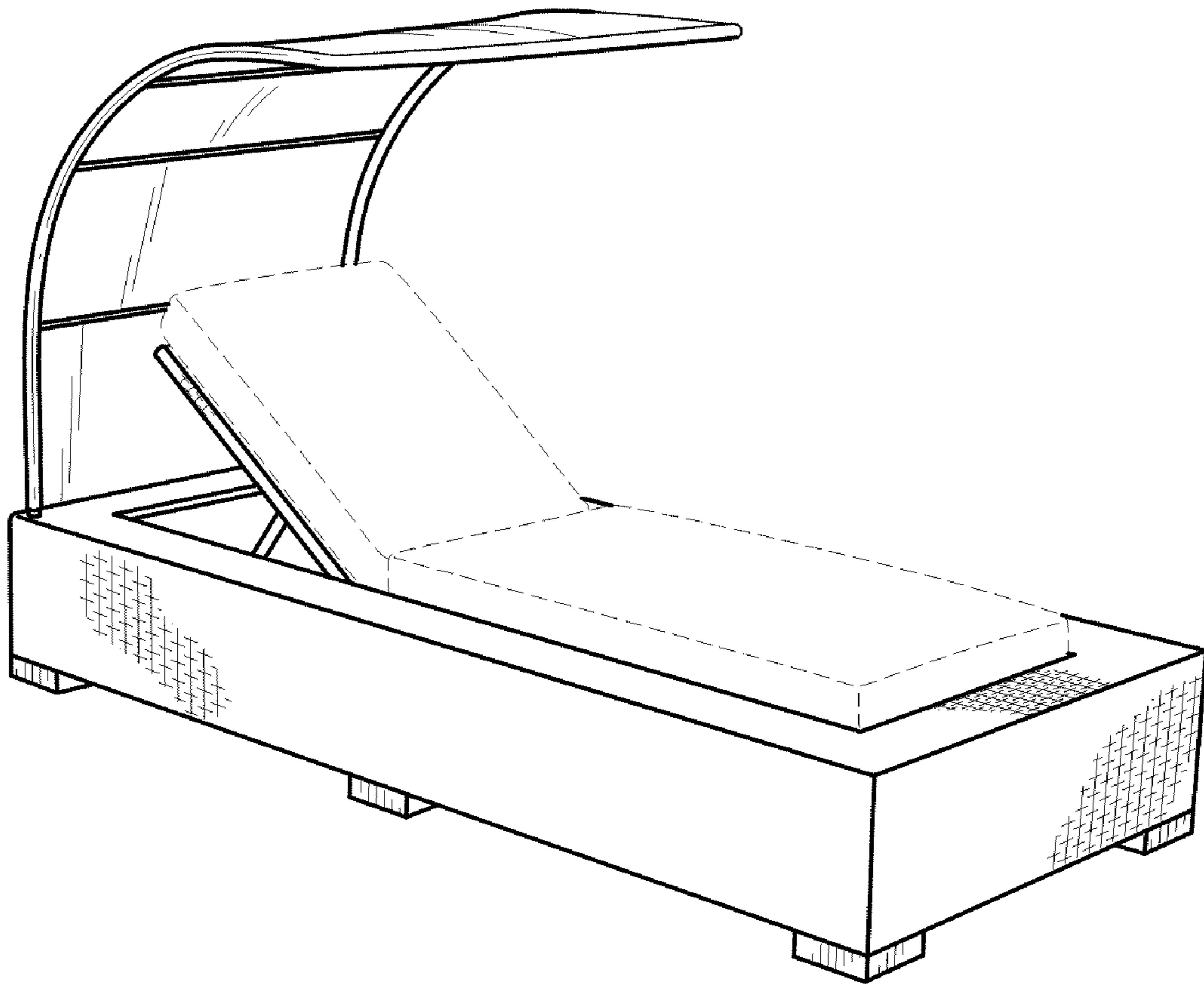
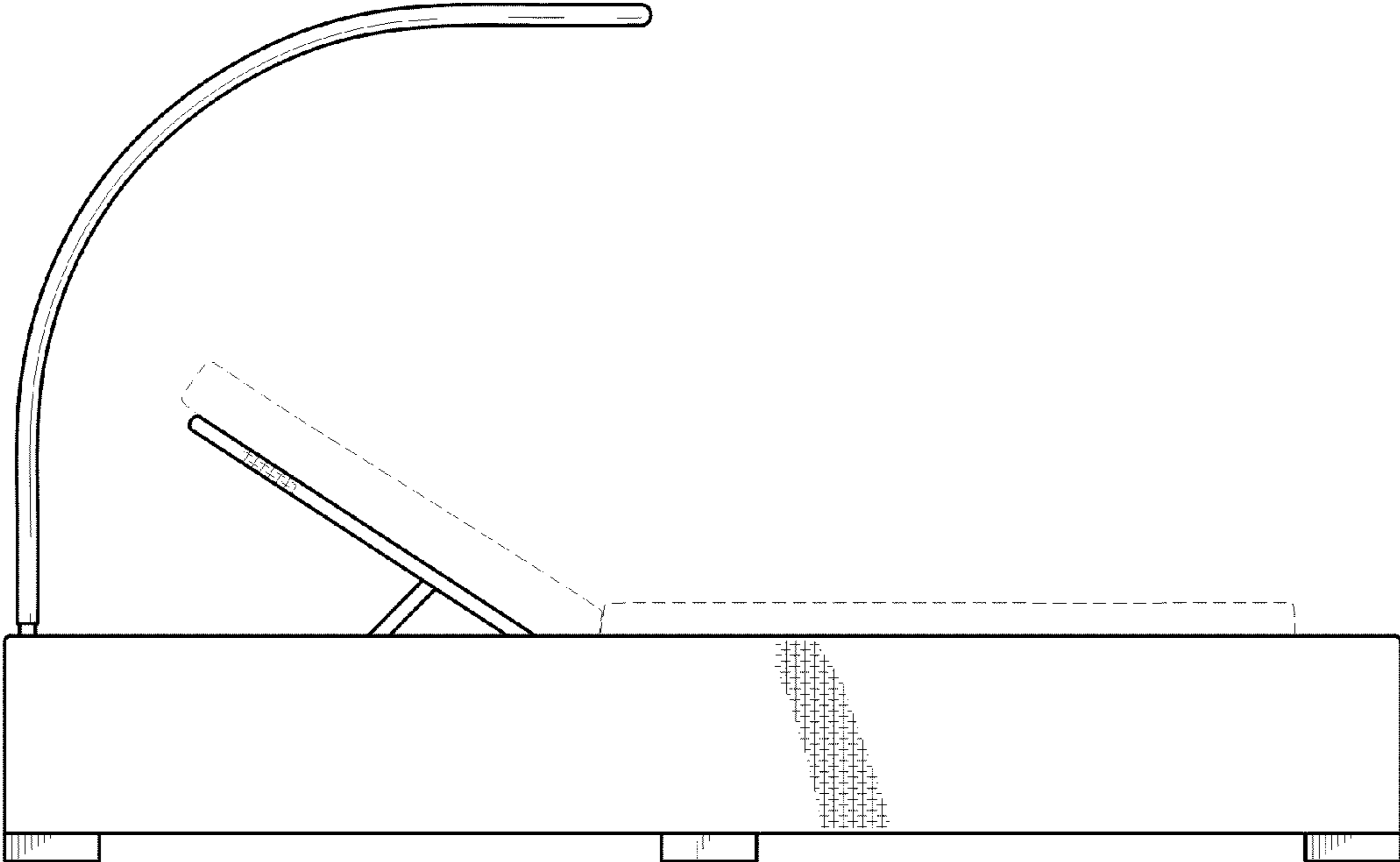
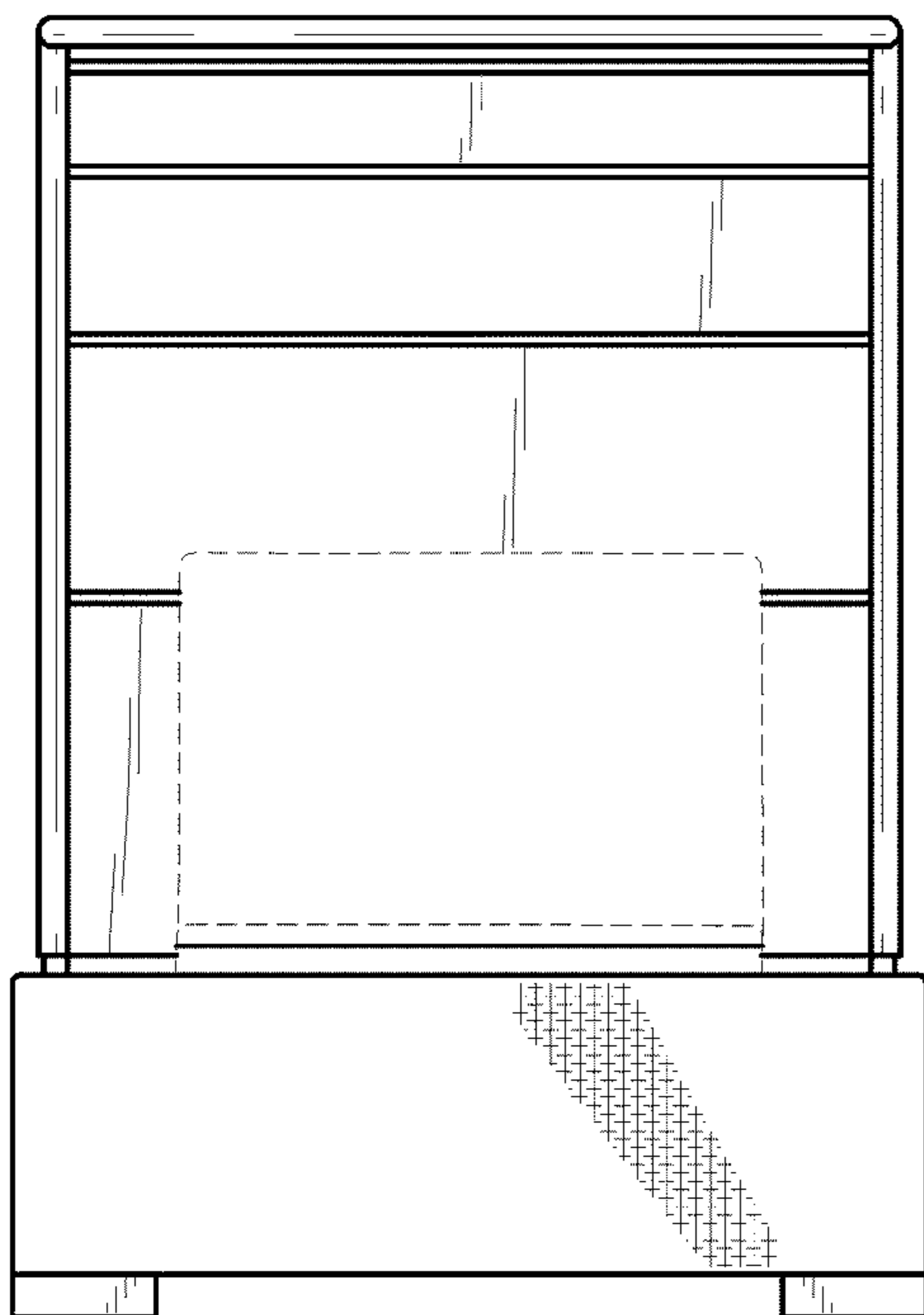


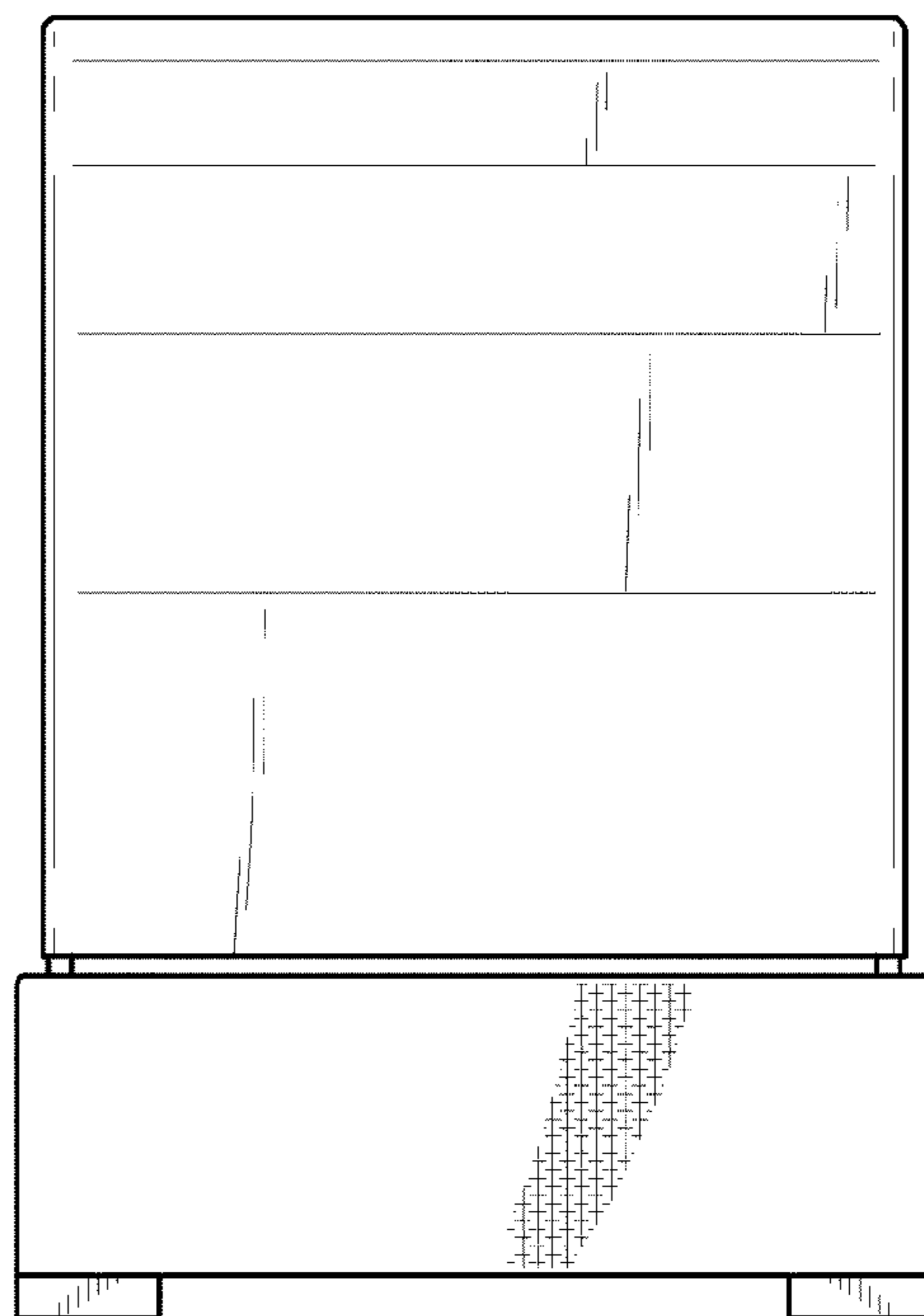
FIG. 2



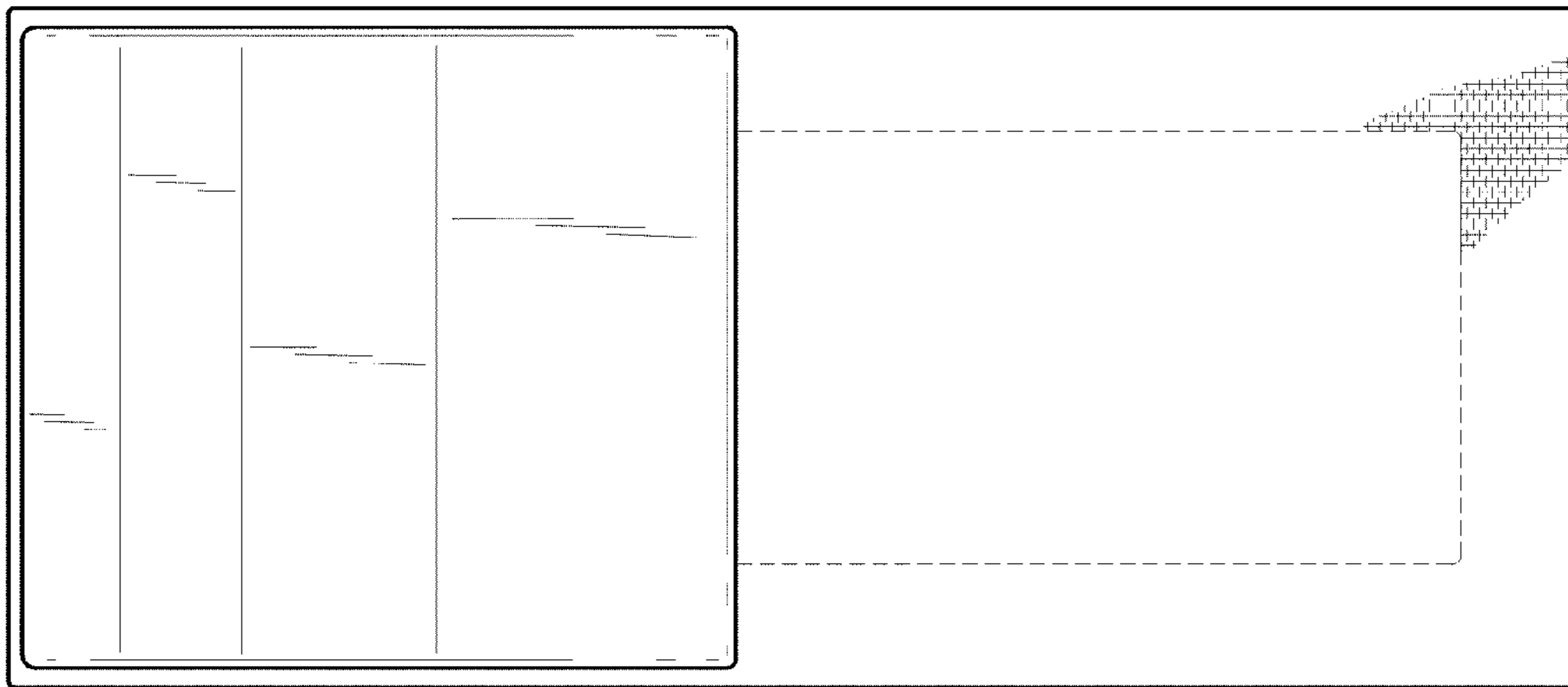
*FIG. 3*



*FIG. 4*



*FIG. 5*



*FIG. 6*

