



US00D653869S

(12) **United States Design Patent**
Messenger

(10) **Patent No.:** **US D653,869 S**

(45) **Date of Patent:** **** Feb. 14, 2012**

(54) **DOUBLE CHAISE CANOPY LOUNGE**

(76) Inventor: **Darla Messenger**, Las Vegas, NV (US)

(**) Term: **14 Years**

(21) Appl. No.: **29/402,703**

(22) Filed: **Sep. 26, 2011**

(51) **LOC (9) Cl.** **06-01**

(52) **U.S. Cl.** **D6/361; D6/369**

(58) **Field of Classification Search** D6/334–336,
D6/360, 361, 367, 370, 371–373, 374, 375,
D6/500–502; 5/12.1, 113, 622, 624, 630;
297/184.1, 184.11, 184.15, 423.1, 451.9,
297/452.12, 452.63, 452.64

See application file for complete search history.

(56) **References Cited**

U.S. PATENT DOCUMENTS

D47,108 S	3/1915	Hunt	
D90,866 S *	10/1933	Bielecky	D6/335
D93,004 S *	8/1934	Debski	D6/361
D94,380 S *	1/1935	Debski	D6/361
D95,671 S *	5/1935	Frankl	D6/335
D120,131 S *	4/1940	Moeller	D6/361
D201,750 S *	7/1965	Melchior	D6/361
5,069,504 A	12/1991	Felling	
5,135,281 A *	8/1992	Pappalardo	297/184.15
D378,171 S	2/1997	Liu	
D486,969 S	2/2004	Weaver	
D531,828 S	11/2006	Frinier	
D533,367 S *	12/2006	Marin	D6/369
D545,580 S *	7/2007	Marin	D6/361

D545,581 S *	7/2007	Gower et al.	D6/361
D549,981 S	9/2007	Kreiss et al.	
D569,114 S *	5/2008	Frinier	D6/361
D572,920 S *	7/2008	van Ierssel et al.	D6/361
D572,921 S	7/2008	van Ierssel et al.	
D572,922 S *	7/2008	Frinier	D6/361
D594,241 S	6/2009	Bergmann et al.	
7,591,032 B2	9/2009	Harrison	
7,740,310 B1 *	6/2010	Forster	297/184.15

* cited by examiner

Primary Examiner — Mimosa De

(74) *Attorney, Agent, or Firm* — Cislo & Thomas, LLP

(57) **CLAIM**

I claim the ornamental design for a double chaise canopy lounge, as shown and described.

DESCRIPTION

FIG. 1 is a perspective view of my double chaise canopy lounge;

FIG. 2 is a left side view, the right side (not shown) is a mirror image thereof;

FIG. 3 is a front view thereof;

FIG. 4 is a top view thereof;

FIG. 5 is a rear view thereof; and,

FIG. 6 is an enlarged view depicting the surface design of my double chaise canopy lounge.

The broken lines are for environmental purposes only and form no part of the claimed design.

The fragmented depictions of weave pattern shown in the views are understood to repeat throughout the areas shown.

1 Claim, 5 Drawing Sheets

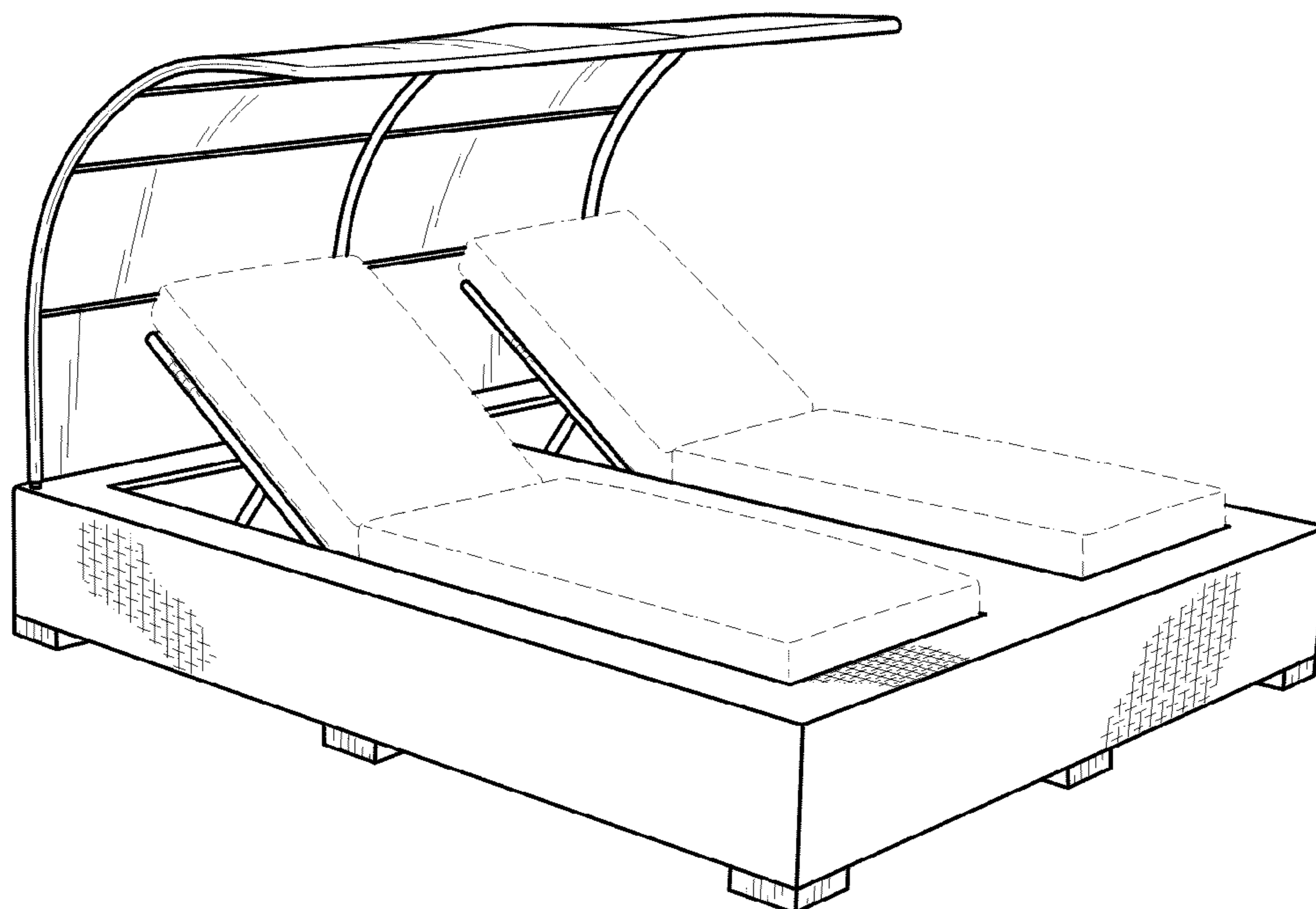


FIG. 1

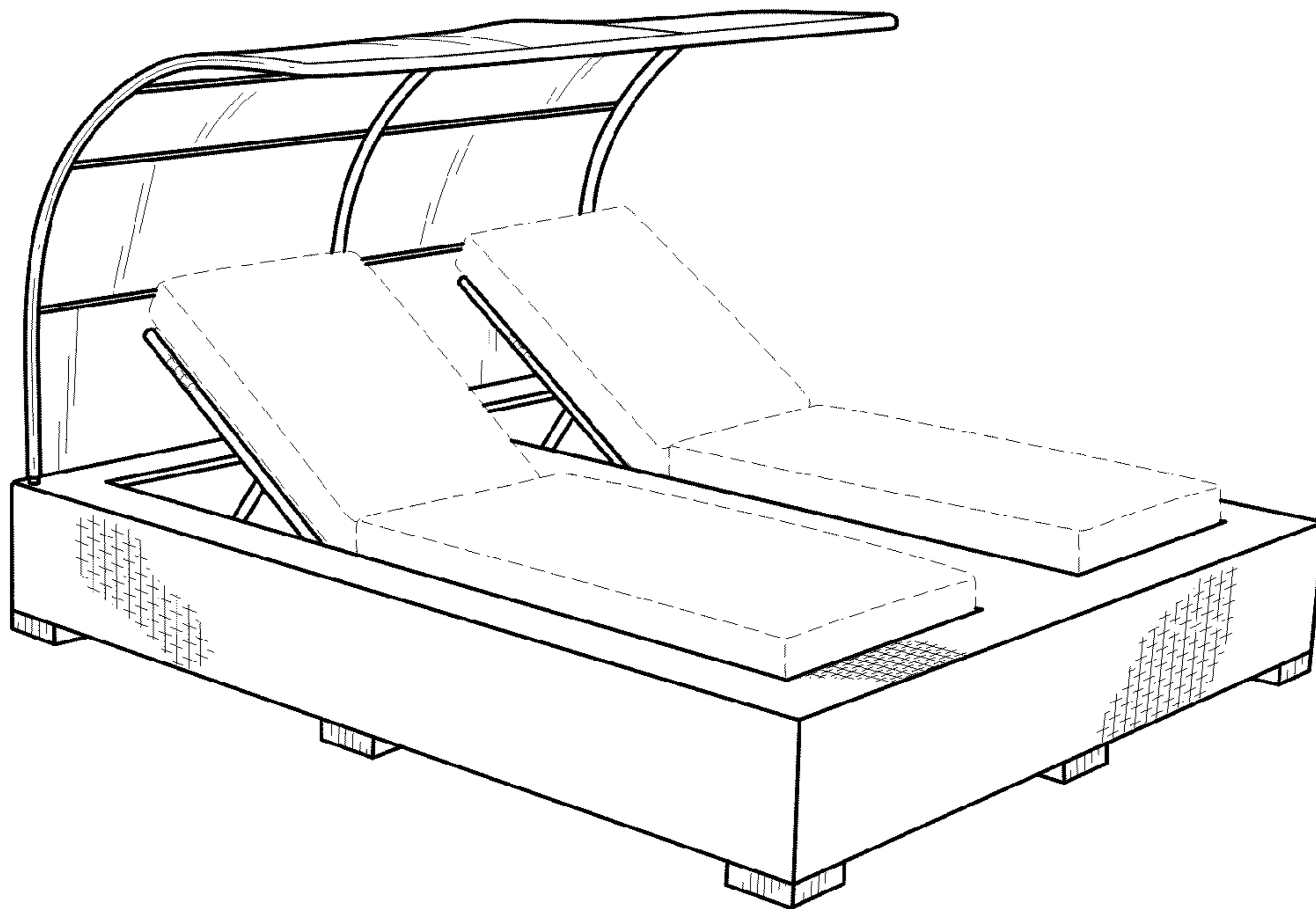


FIG. 2

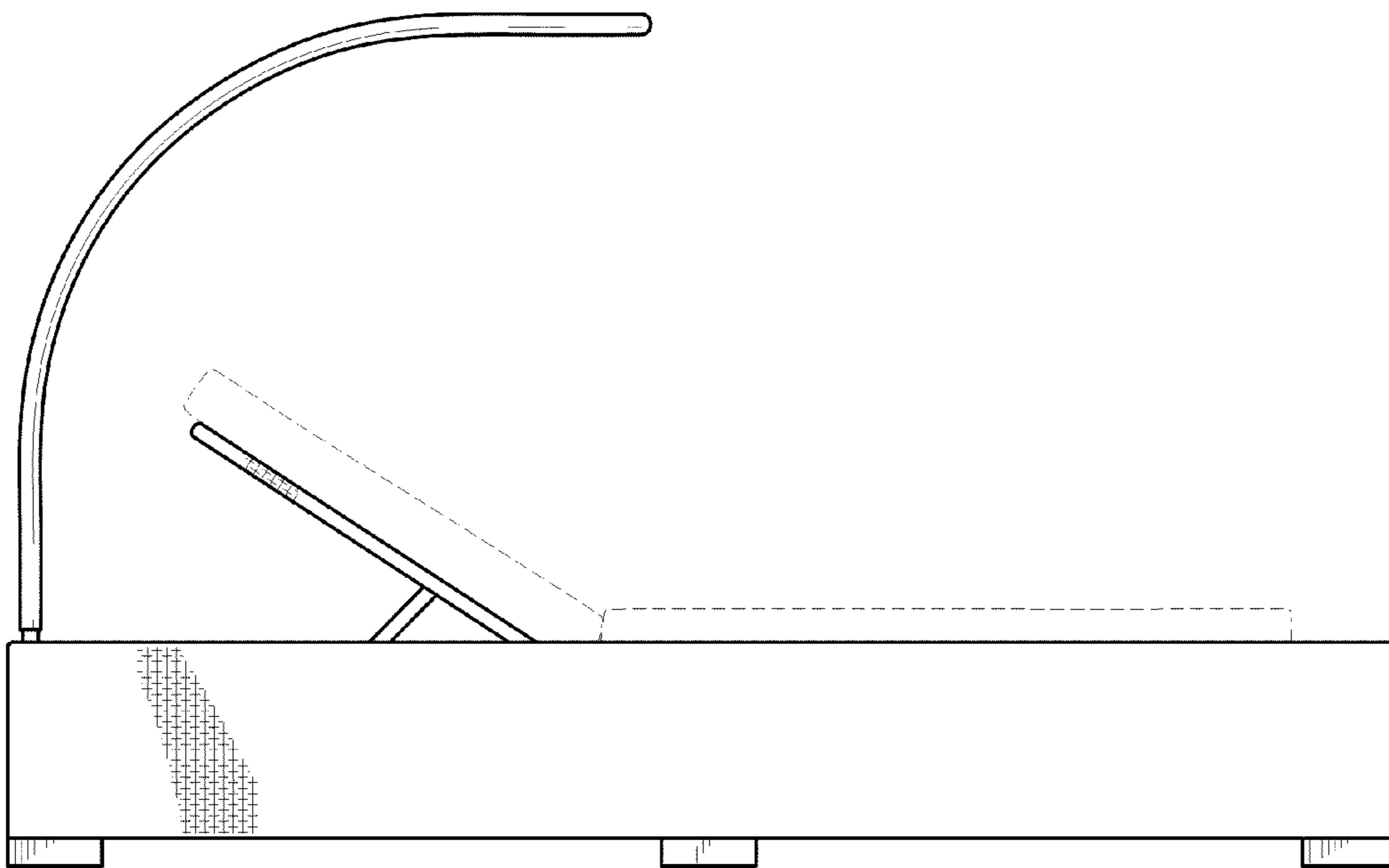


FIG. 3

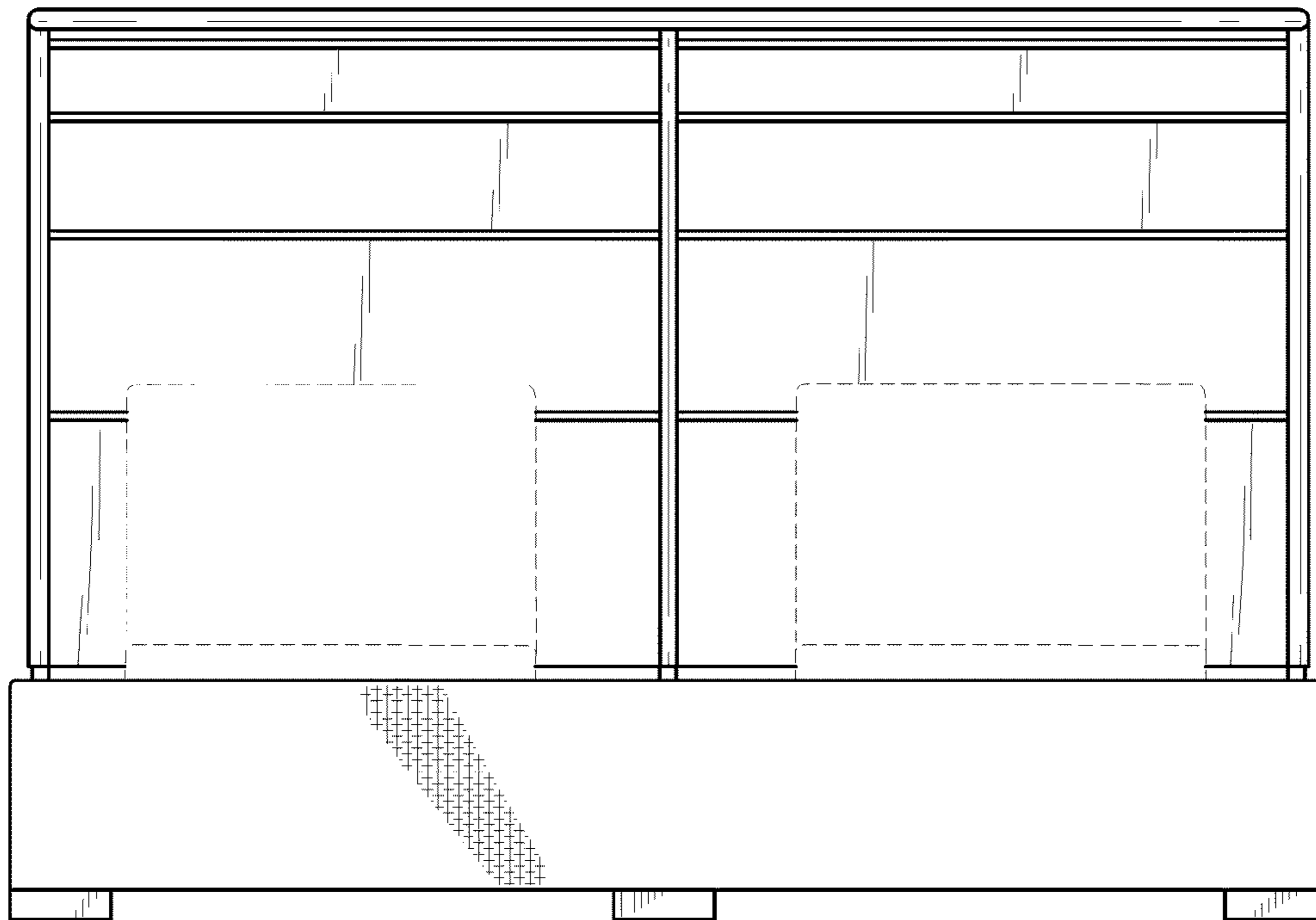


FIG. 4

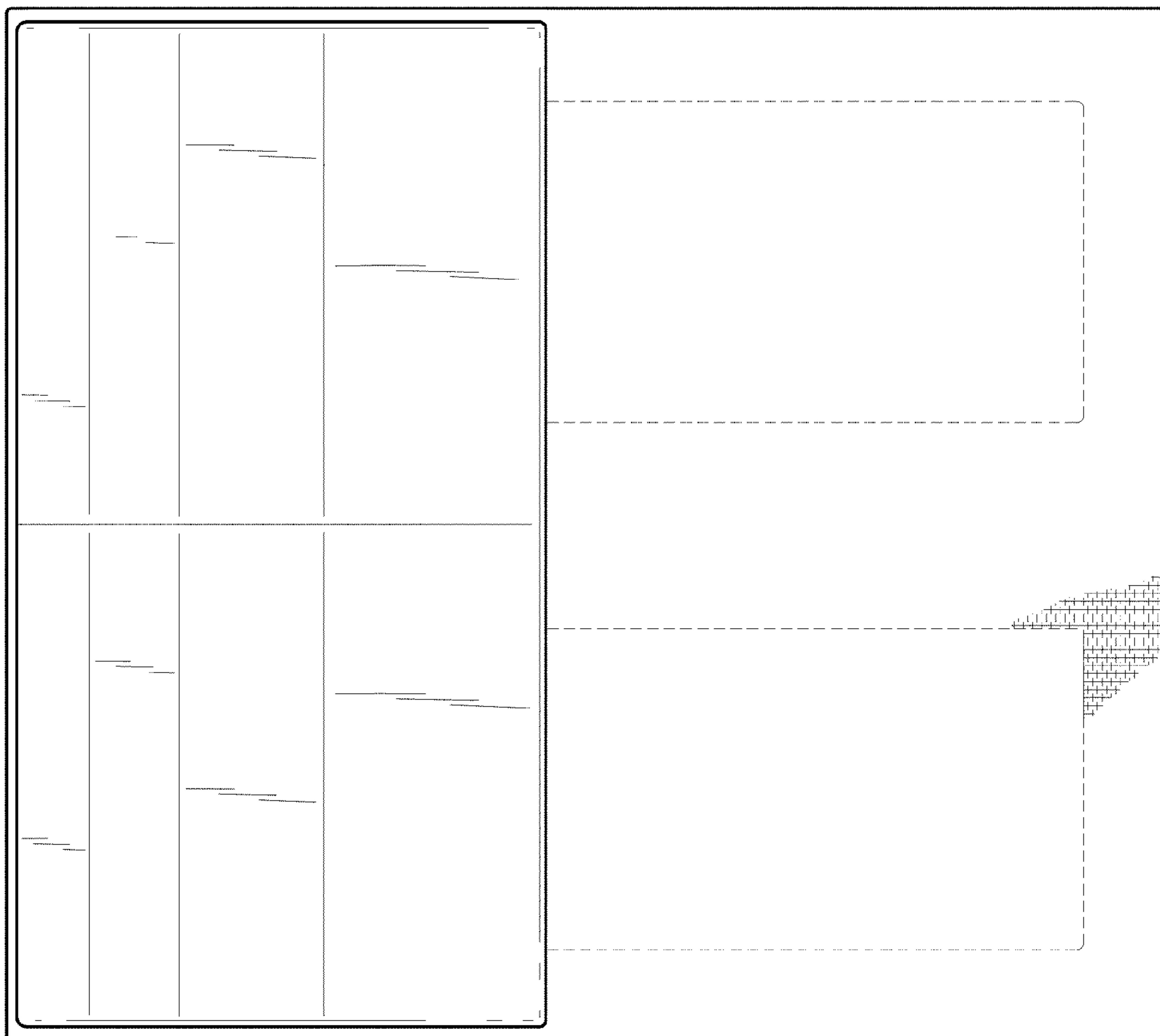


FIG. 5

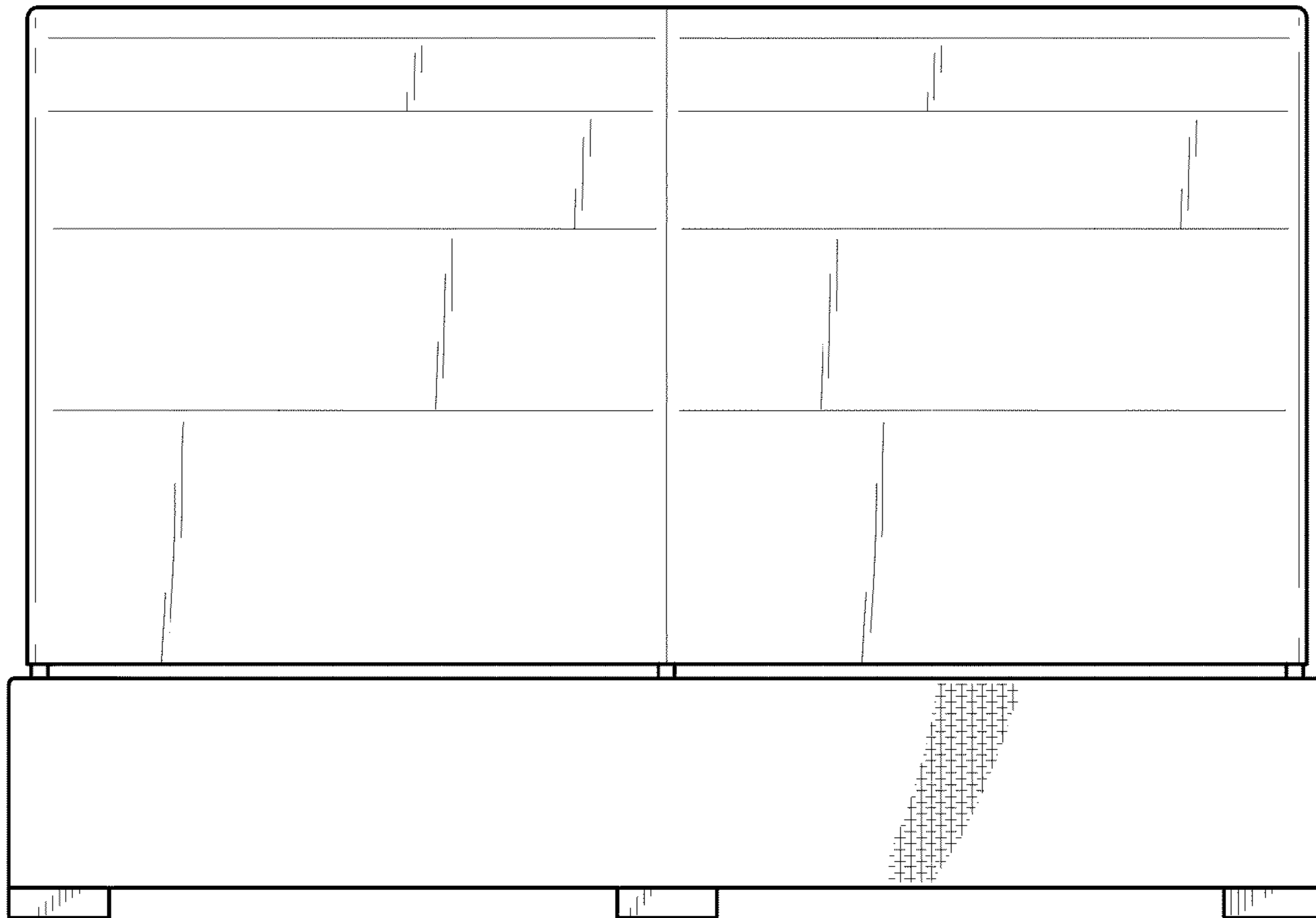


FIG. 6

