



US00D653868S

(12) **United States Design Patent**
Samuel et al.

(10) **Patent No.:** **US D653,868 S**
(45) **Date of Patent:** **** Feb. 14, 2012**

(54) **CHAIR**

(75) Inventors: **Ralph D. Samuel**, Highland Park, IL (US); **Trenton L. Harris**, Sparks, NV (US)

(73) Assignees: **MLP Seating Corporation**, Elk Grove Village, IL (US); **VIA Inc.**, Sparks, NV (US)

(**) Term: **14 Years**

(21) Appl. No.: **29/368,184**

(22) Filed: **Aug. 19, 2010**

(51) **LOC (9) Cl.** **06-01**

(52) **U.S. Cl.** **D6/360**

(58) **Field of Classification Search** D6/334-336,
D6/360-380, 500-502; 297/445.1, 446.1,
297/447.7, 452.63

See application file for complete search history.

(56) **References Cited**

U.S. PATENT DOCUMENTS

| | | | | |
|--------------|---------|----------|-------|--------|
| D202,426 S * | 9/1965 | Jakobsen | | D6/360 |
| D357,592 S * | 4/1995 | Kellen | | D6/360 |
| D418,687 S * | 1/2000 | Tihany | | D6/369 |
| D421,851 S * | 3/2000 | Tihany | | D6/369 |
| D427,795 S * | 7/2000 | Tihany | | D6/369 |
| D431,380 S * | 10/2000 | Hutton | | D6/360 |
| D468,918 S * | 1/2003 | de Blois | | D6/360 |
| D468,919 S * | 1/2003 | Juneau | | D6/360 |
| D485,447 S * | 1/2004 | Stanton | | D6/360 |

| | | | | |
|--------------|--------|-------------------|-------|--------|
| D502,611 S * | 3/2005 | Williams | | D6/360 |
| D528,813 S * | 9/2006 | Sienkowski et al. | | D6/374 |
| D543,715 S * | 6/2007 | Muller | | D6/360 |

* cited by examiner

Primary Examiner — Ricky Pham

(74) *Attorney, Agent, or Firm* — Adam K. Sacharoff

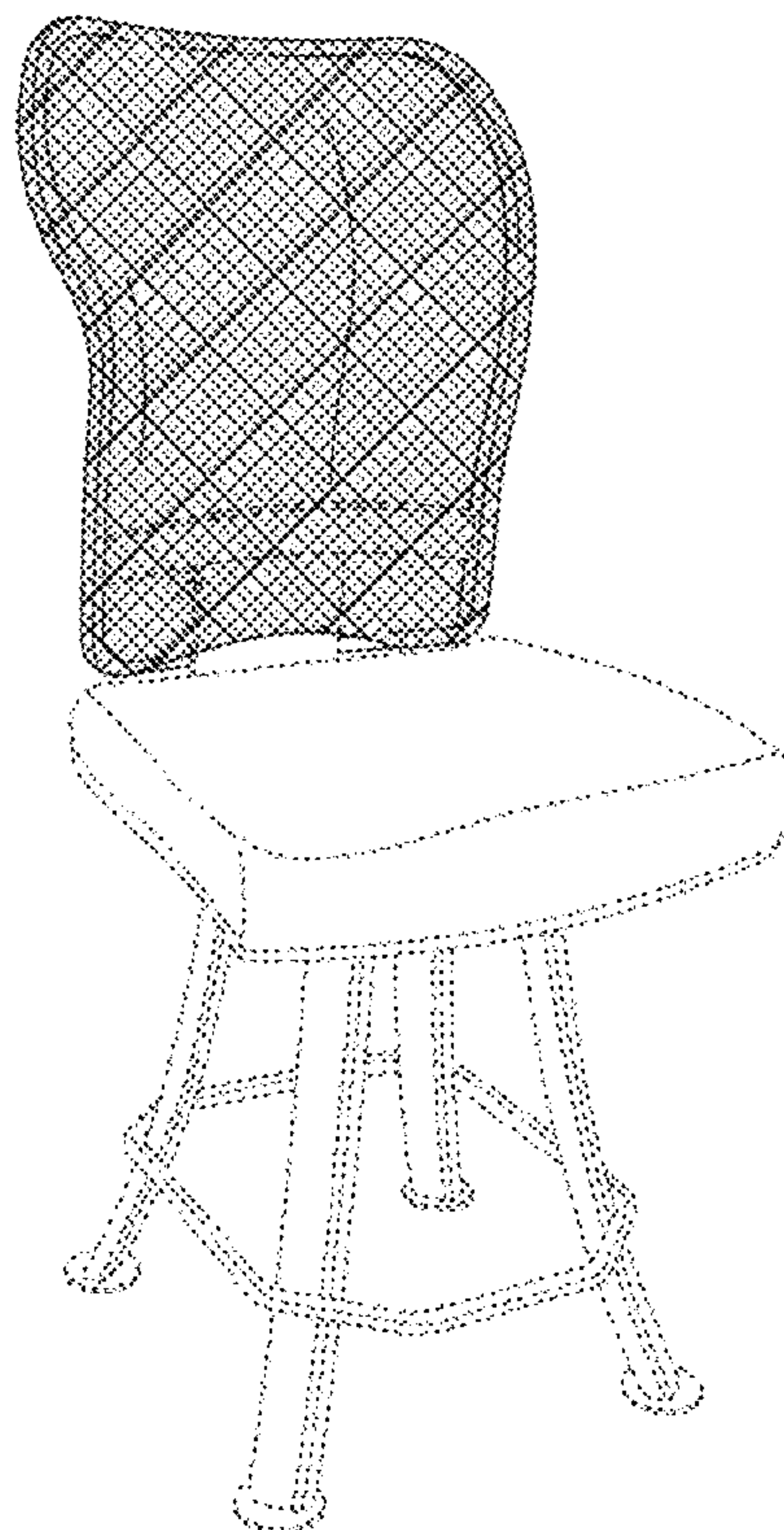
(57) **CLAIM**

The ornamental design for a chair, as shown and described.

DESCRIPTION

FIG. 1 is a front elevated perspective view of a chair having a partly or wholly transparent or translucent back covering in accordance with a first embodiment of the invention;
 FIG. 2 is a front view of the chair from FIG. 1;
 FIG. 3 is a back view of the chair from FIG. 1;
 FIG. 4 is a side view of the chair from FIG. 1, the other side being an opposite mirror image thereof;
 FIG. 5 is top view of the chair from FIG. 1;
 FIG. 6 is bottom view of the chair from FIG. 1;
 FIG. 7 is a front elevated perspective view of a chair Back being partly or wholly transparent or translucent in accordance with a second embodiment of the invention;
 FIG. 8 is a front view of the chair from FIG. 7;
 FIG. 9 is a back view of the chair from FIG. 7;
 FIG. 10 is a side view of the chair from FIG. 7, the other side being an opposite mirror image thereof;
 FIG. 11 is top view of the chair from FIG. 7; and,
 FIG. 12 is bottom view of the chair from FIG. 7.
 The broken lines are for the purpose of illustrating portions of the environmental structure and forms no part of the claimed design.

1 Claim, 9 Drawing Sheets



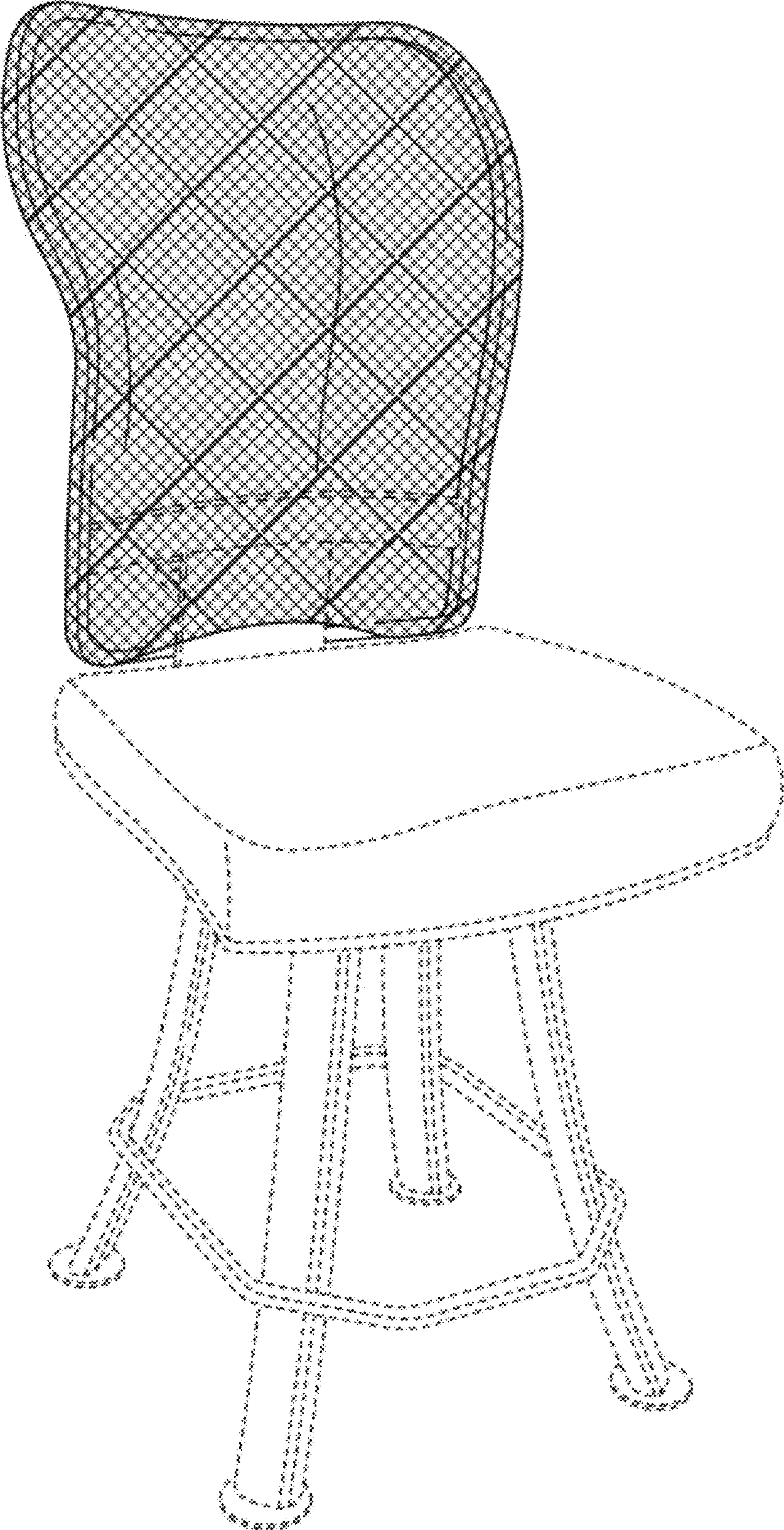


FIG. 1

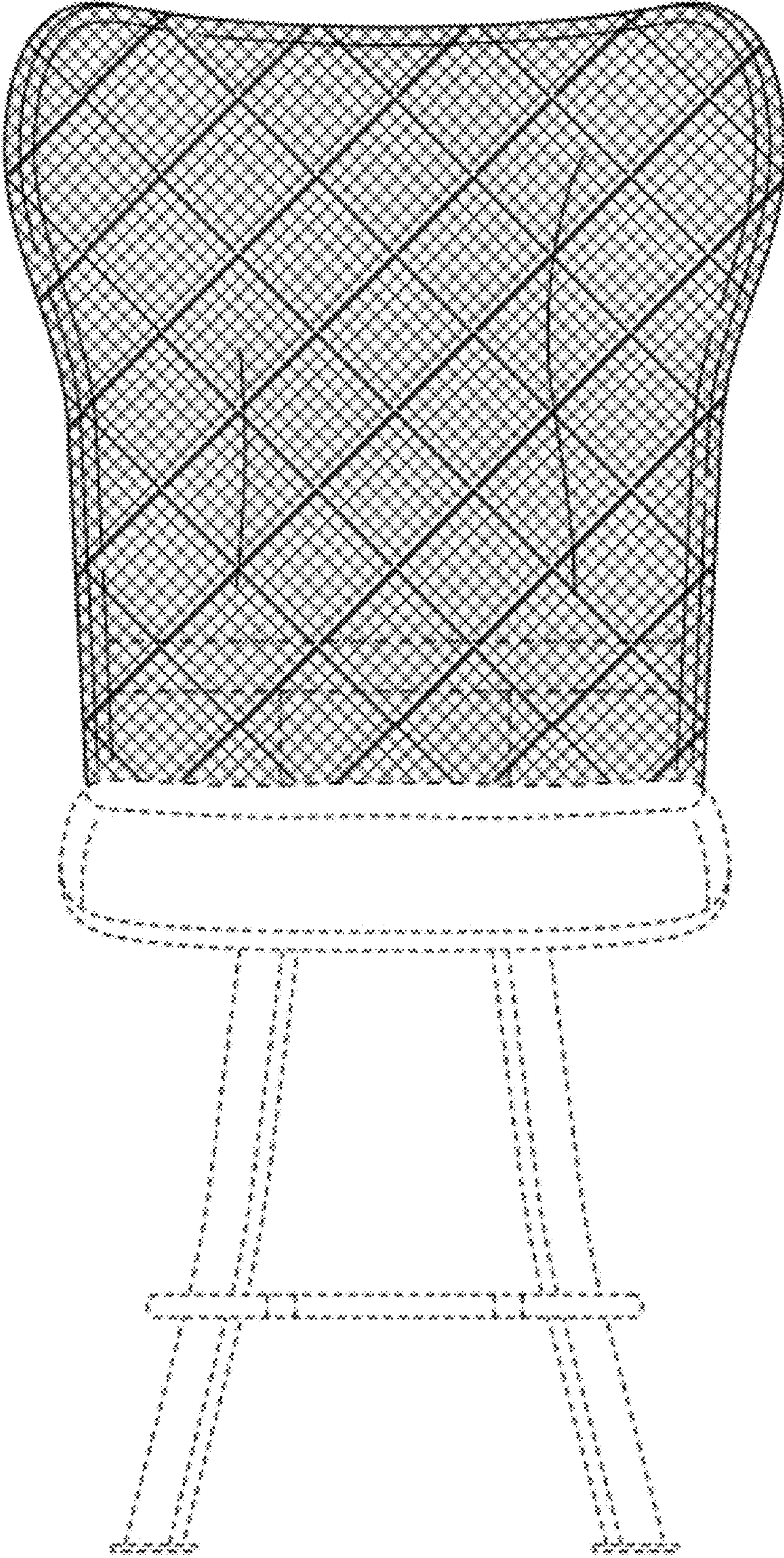


FIG. 2

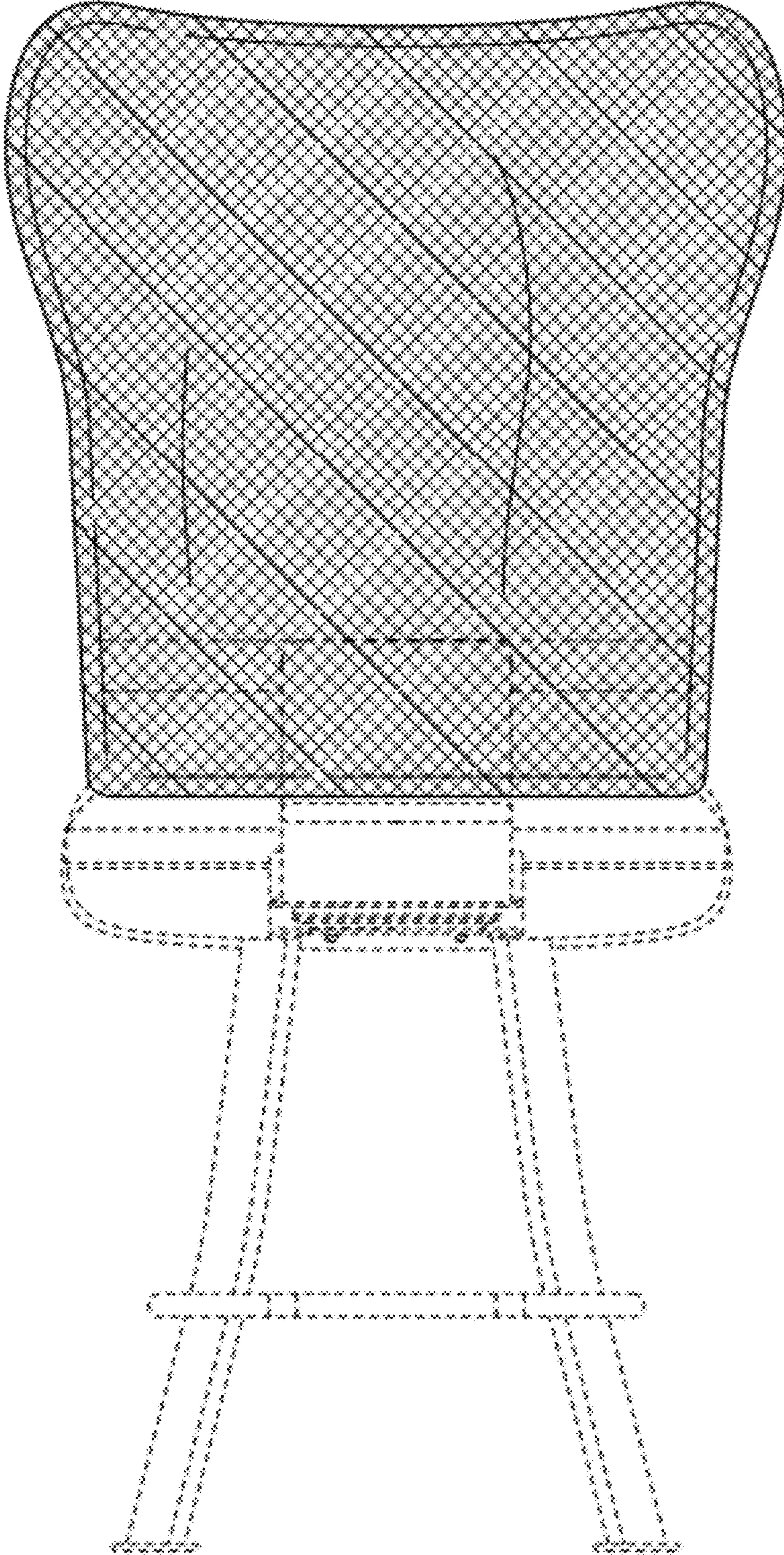


FIG. 3

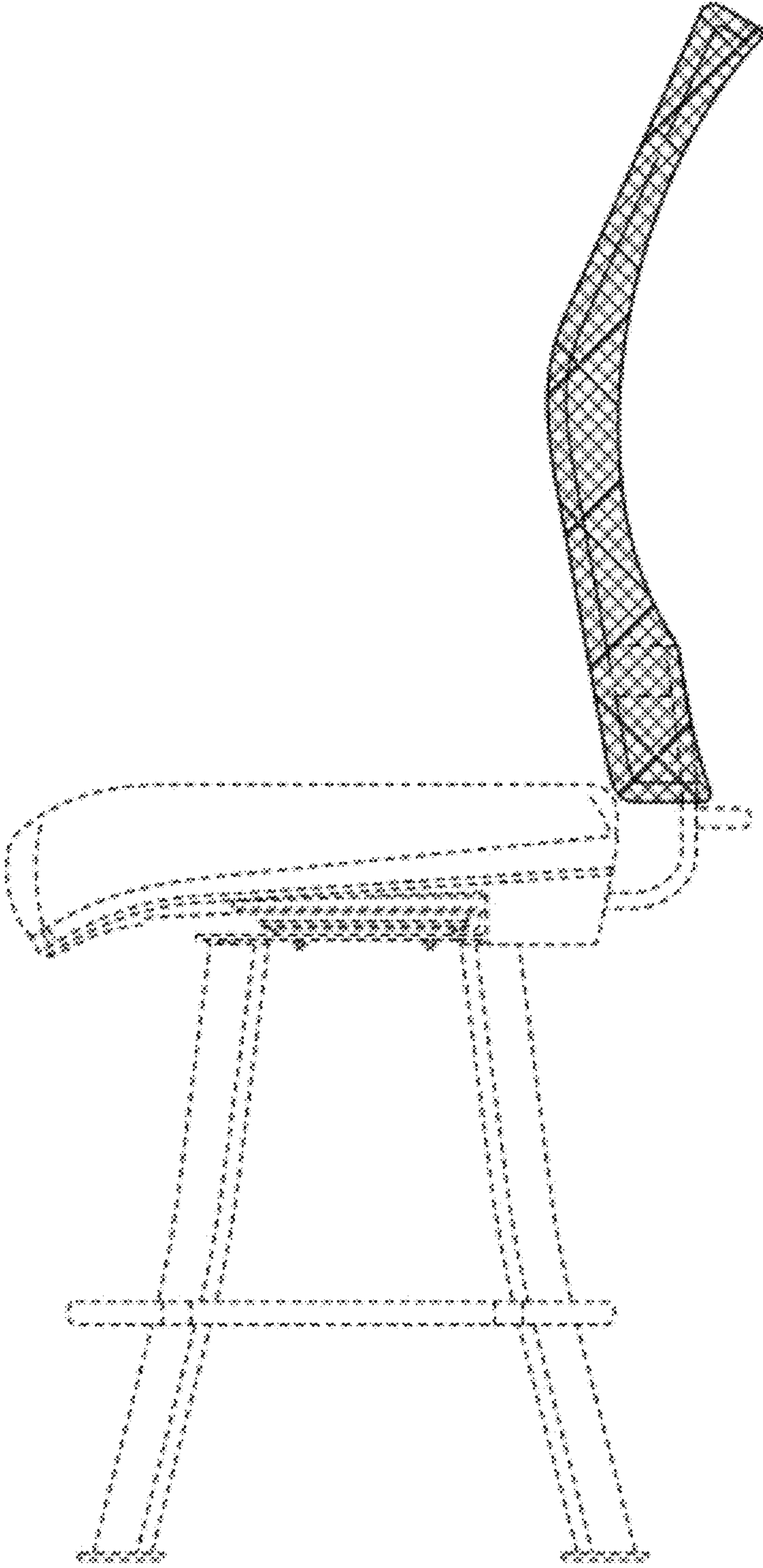


FIG. 4

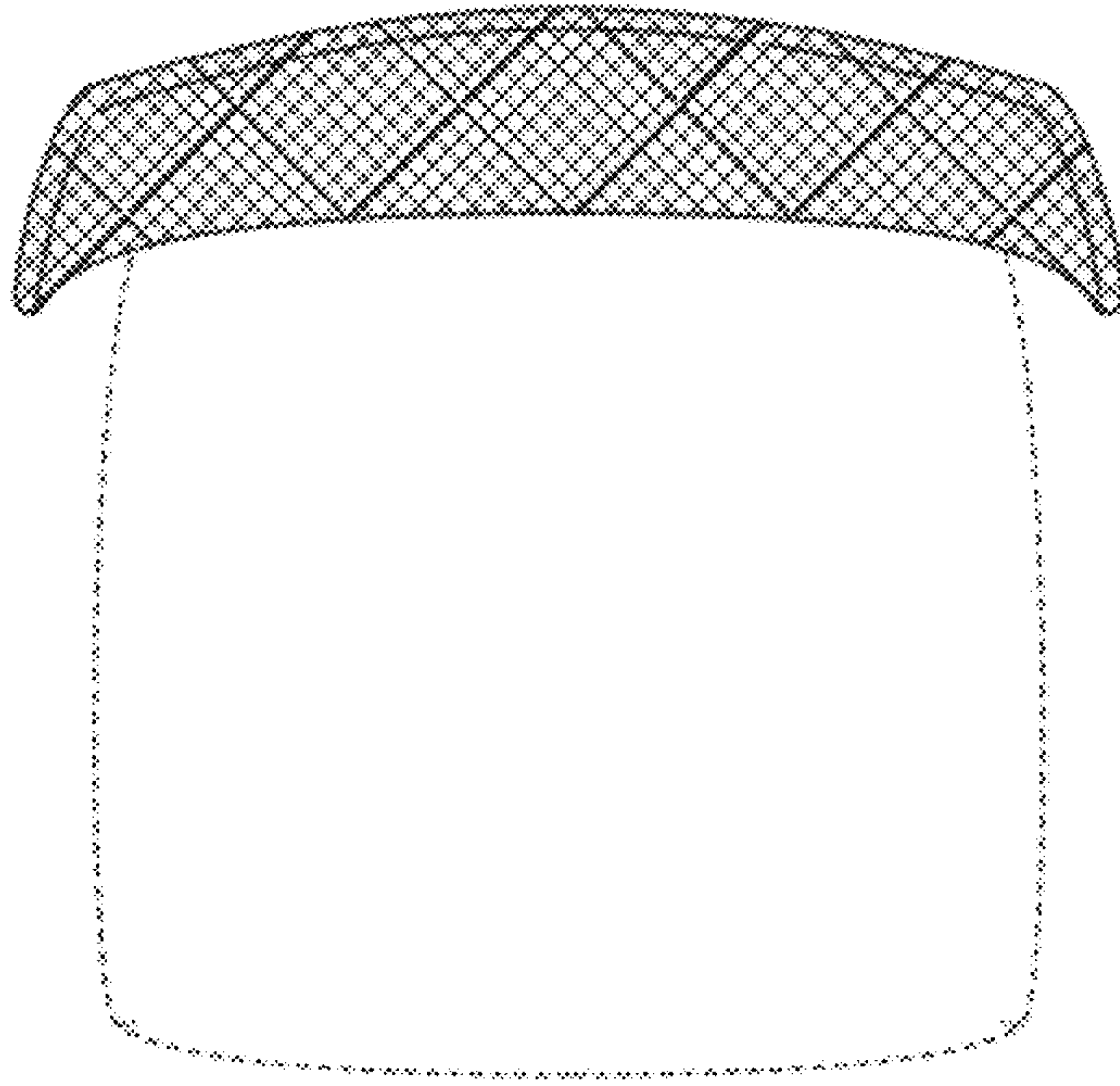


FIG. 5

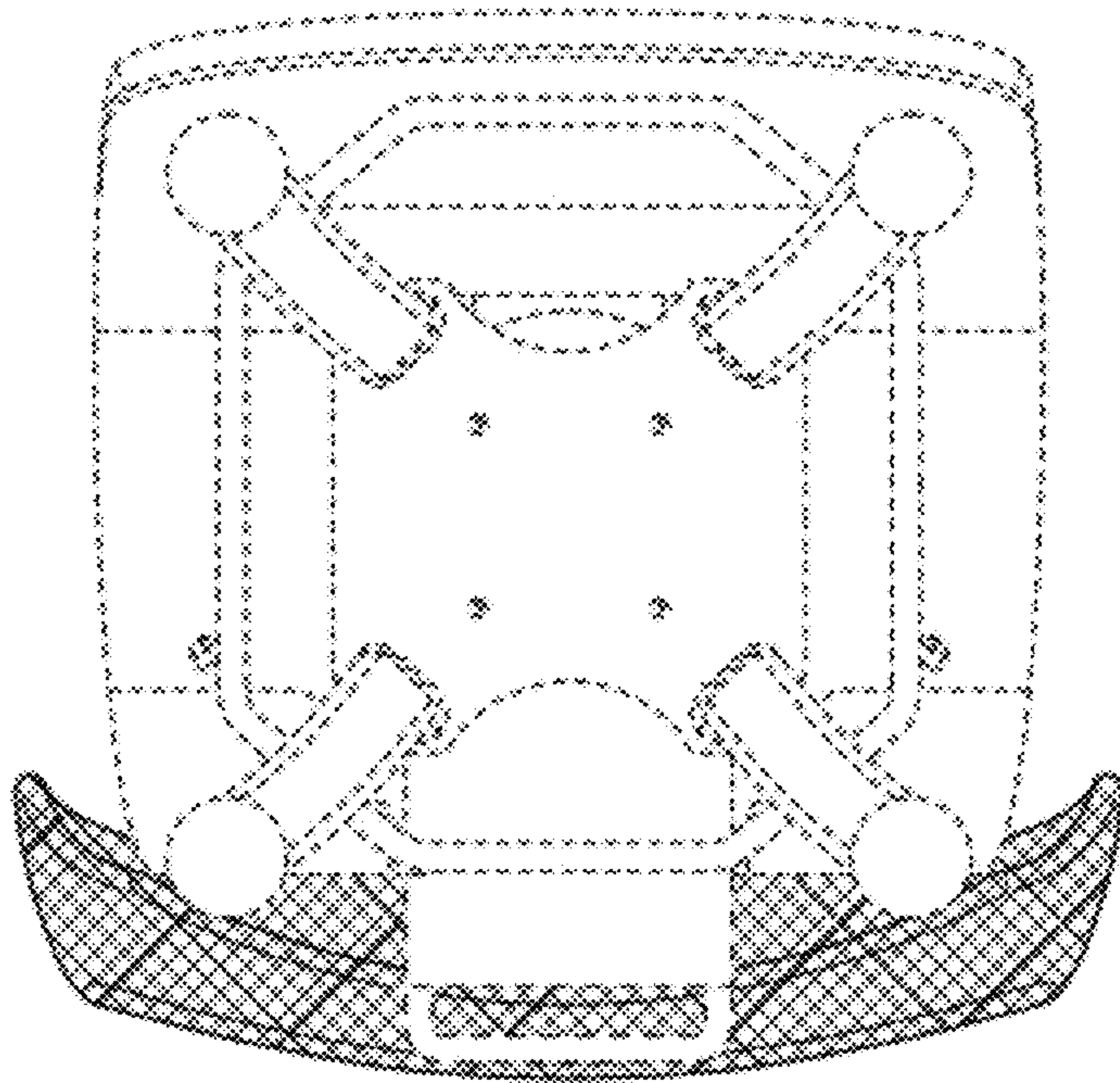


FIG. 6

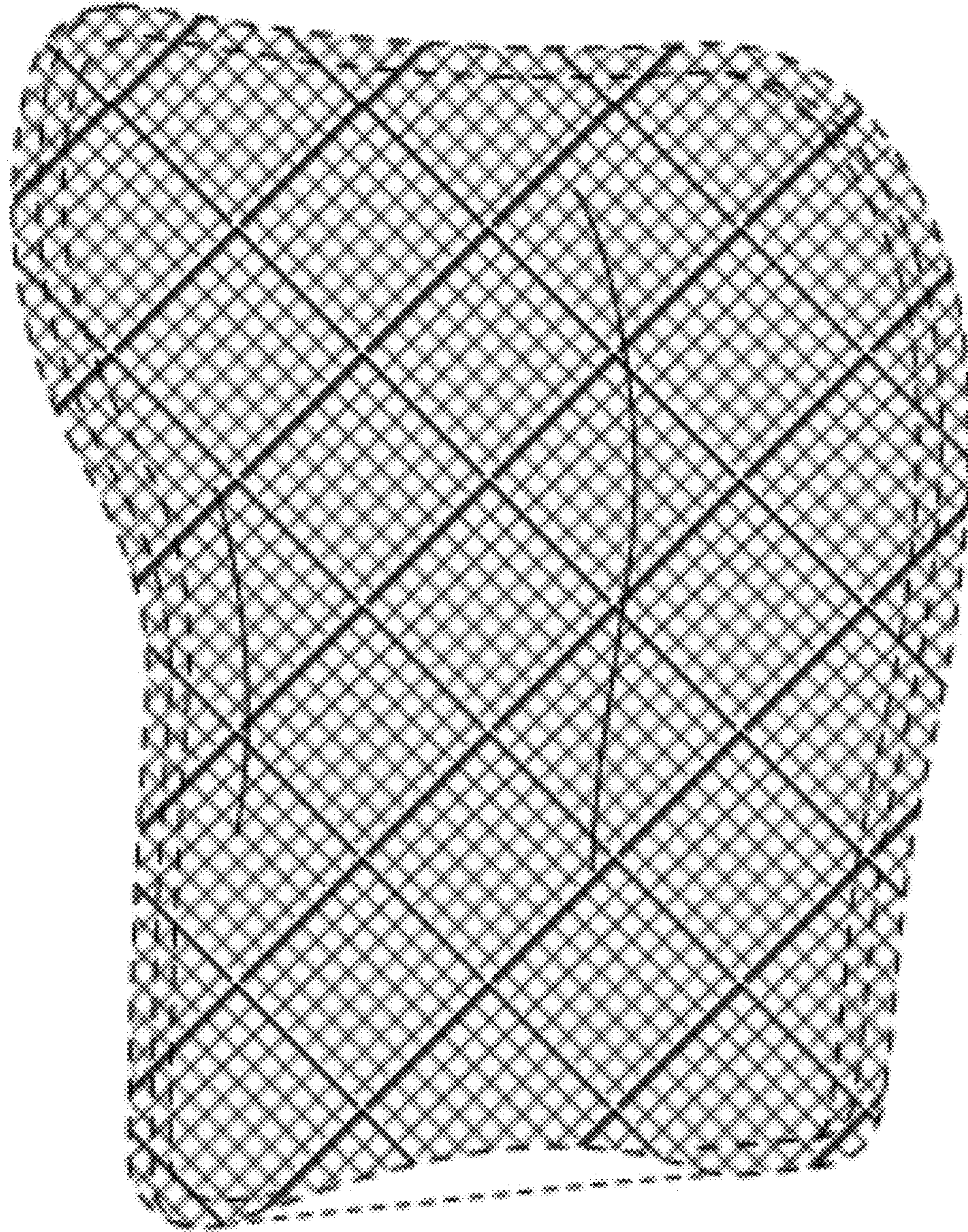


FIG. 7

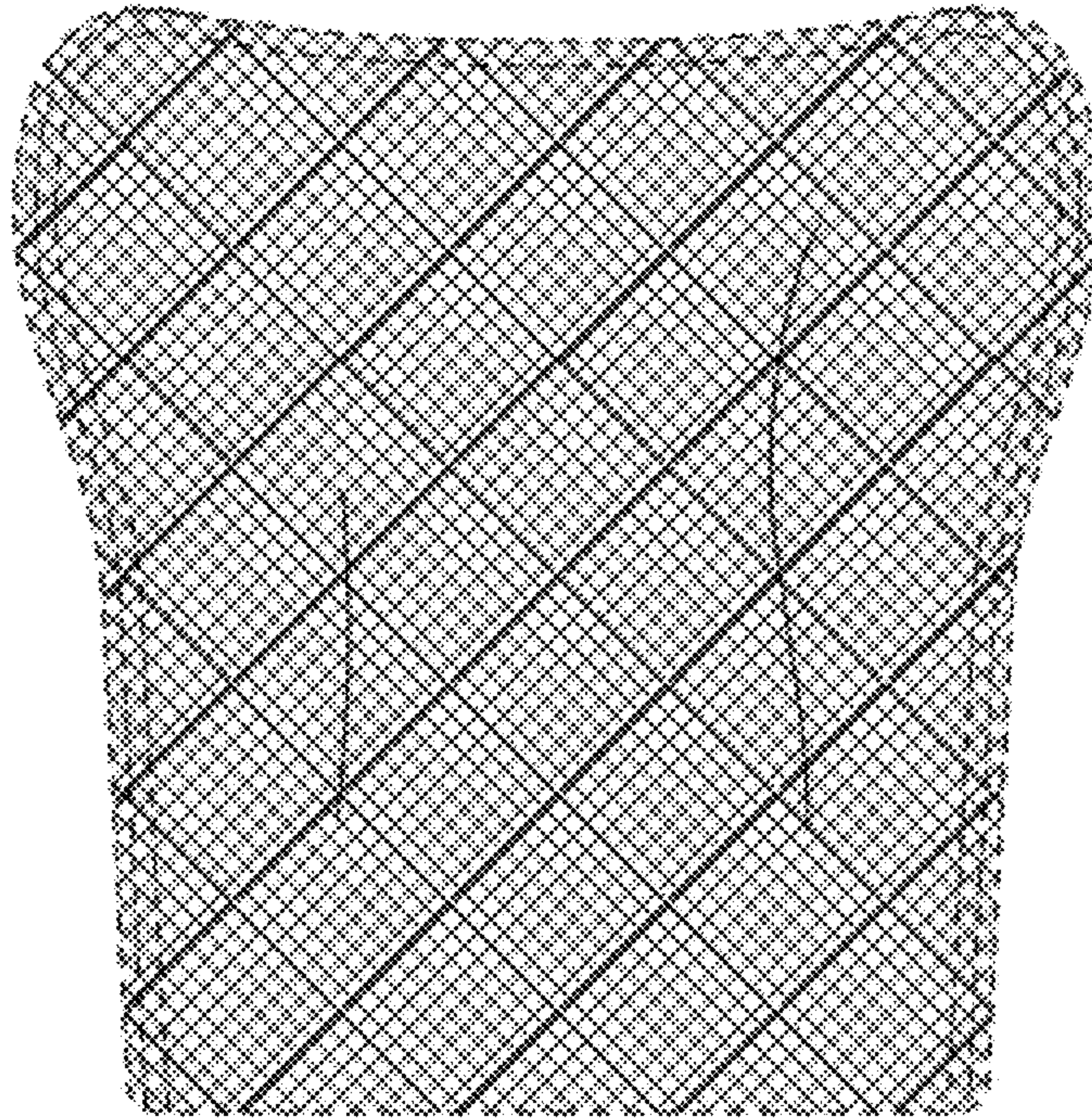


FIG. 8

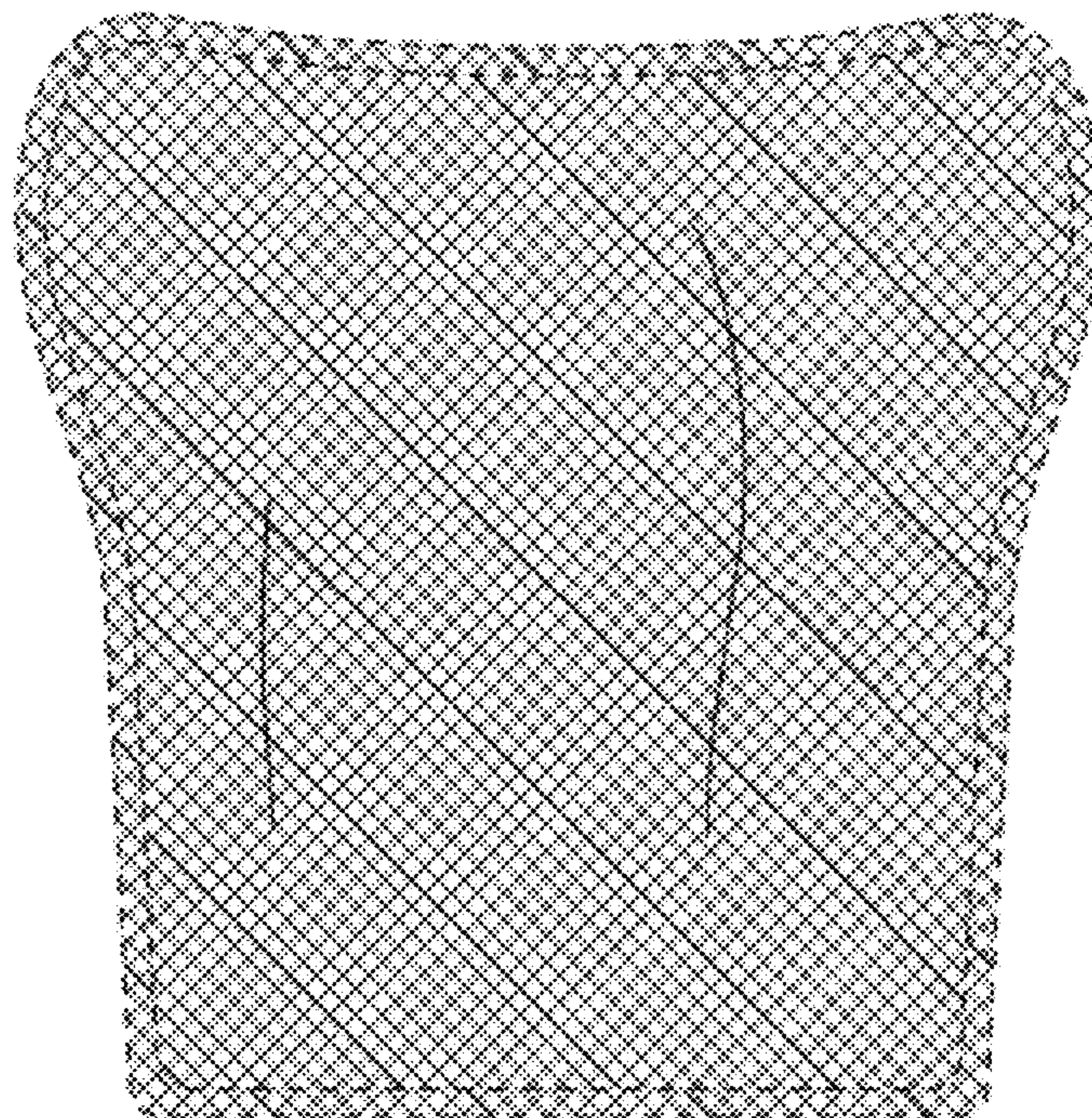


FIG. 9

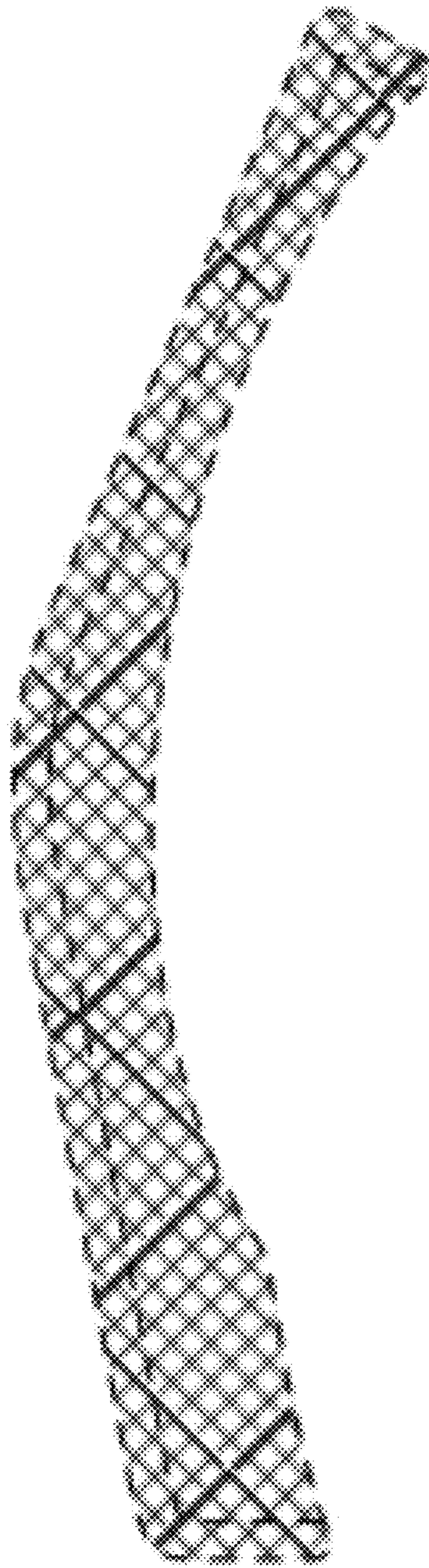


FIG. 10

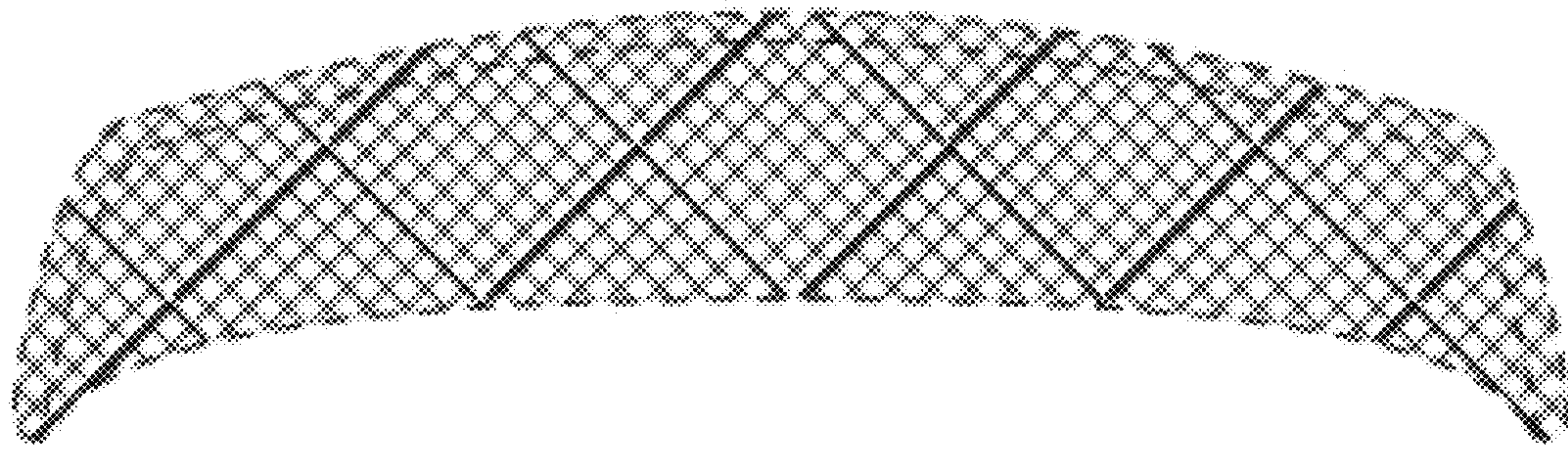


FIG. 11

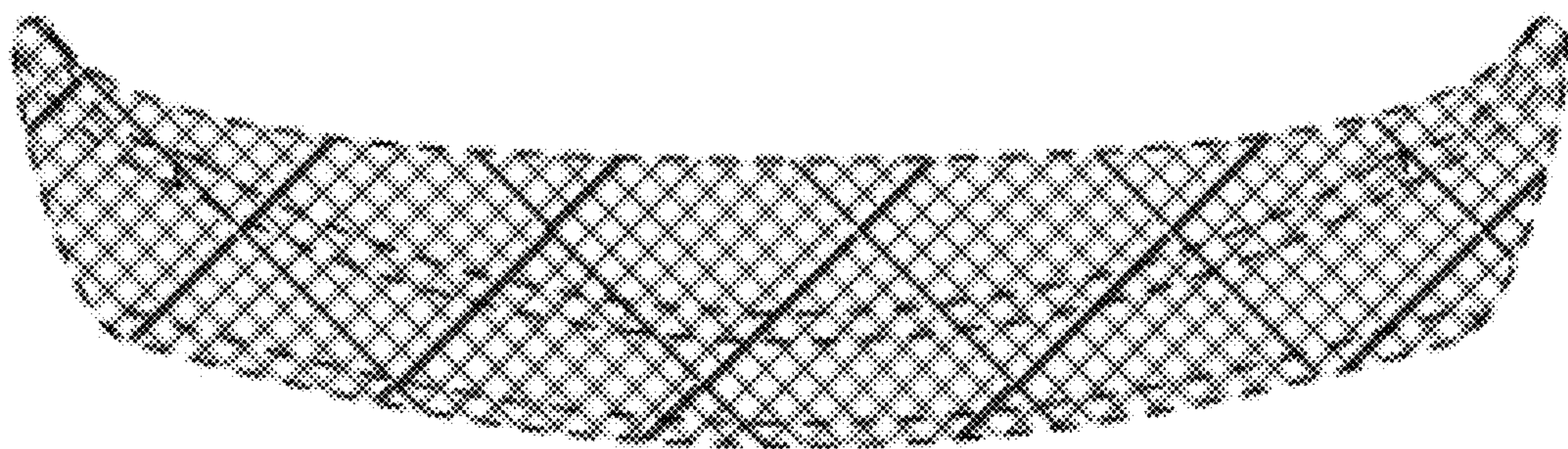


FIG. 12