



US00D653867S

(12) **United States Design Patent**
Wada et al.

(10) **Patent No.:** **US D653,867 S**
(45) **Date of Patent:** **** Feb. 14, 2012**

(54) **VEHICLE SEAT**

(75) Inventors: **Hirofumi Wada**, Shimotsuke (JP);
Yasuhiro Yanagida, Kawasaki (JP)

(73) Assignee: **Komatsu Ltd.** (JP)

(**) Term: **14 Years**

(21) Appl. No.: **29/360,097**

(22) Filed: **Apr. 20, 2010**

(51) **LOC (9) Cl.** **06-01**

(52) **U.S. Cl.** **D6/356**

(58) **Field of Classification Search** D6/334-336,
D6/356, 367, 368, 374, 375, 381, 500-502;
297/232, 353, 344.1, 354.1, 396, 452.21,
297/452.24, 452.25, 452.26, 452.29, 452.34,
297/452.35

See application file for complete search history.

(56) **References Cited**

U.S. PATENT DOCUMENTS

4,707,027	A *	11/1987	Horvath et al.	D6/356
D362,126	S *	9/1995	Carter	D6/356
D371,008	S *	6/1996	Stulik	D6/356
D391,087	S *	2/1998	Sacco et al.	D6/356
D428,719	S *	8/2000	Fick et al.	D6/356
D482,880	S *	12/2003	Murphy	D6/356
D504,784	S *	5/2005	Hahn et al.	D6/356
D516,327	S *	3/2006	Murphy	D6/356
D534,731	S *	1/2007	Fretschnner et al.	D6/356
D535,485	S *	1/2007	Moburg	D6/356
D541,542	S *	5/2007	Yokoyama et al.	D6/356
D577,921	S *	10/2008	Tanaka et al.	D6/356

FOREIGN PATENT DOCUMENTS

JP REG. DES. 1064057 S 12/1999

* cited by examiner

Primary Examiner — Mimoso De

(74) *Attorney, Agent, or Firm* — Schwegman, Lundberg & Woessner, P.A.

(57) **CLAIM**

The ornamental design for a vehicle seat, as shown and described.

DESCRIPTION

FIG. 1 is a perspective view of a vehicle seat showing our new design;

FIG. 2 is a front elevational view thereof;

FIG. 3 is a rear elevational view thereof;

FIG. 4 is a top plan view thereof;

FIG. 5 is a bottom plan view thereof;

FIG. 6 is a right side elevational view thereof;

FIG. 7 is a left side elevational view thereof;

FIG. 8 is a front view showing the article with the headrest in a pulled up position;

FIG. 9 is a rear view showing the article with the headrest in a pulled up position; and,

FIG. 10 is a right side view showing the article with the headrest in a pulled up position.

The broken lines are shown for illustrative purposes only and form no part of the claimed design.

1 Claim, 10 Drawing Sheets

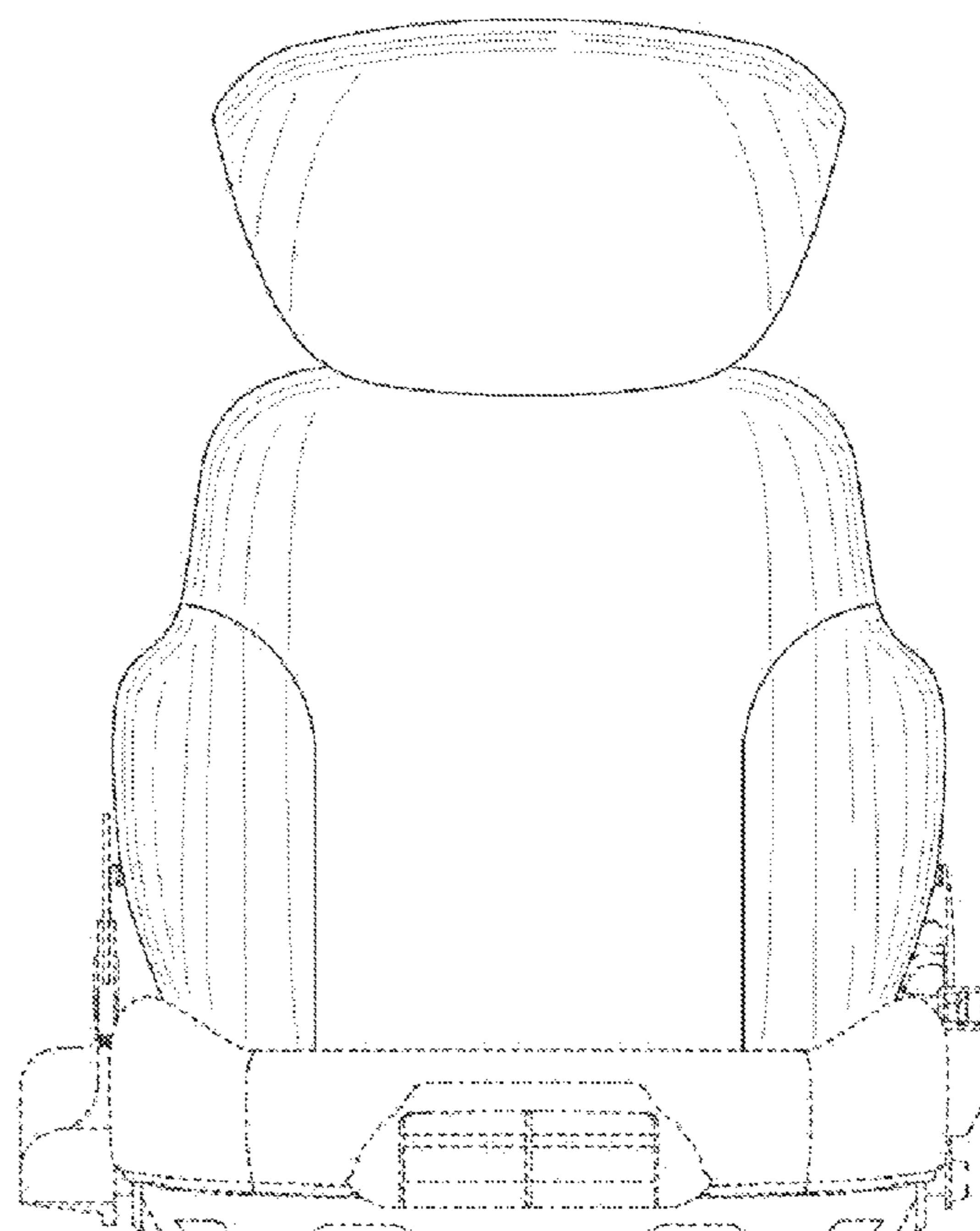
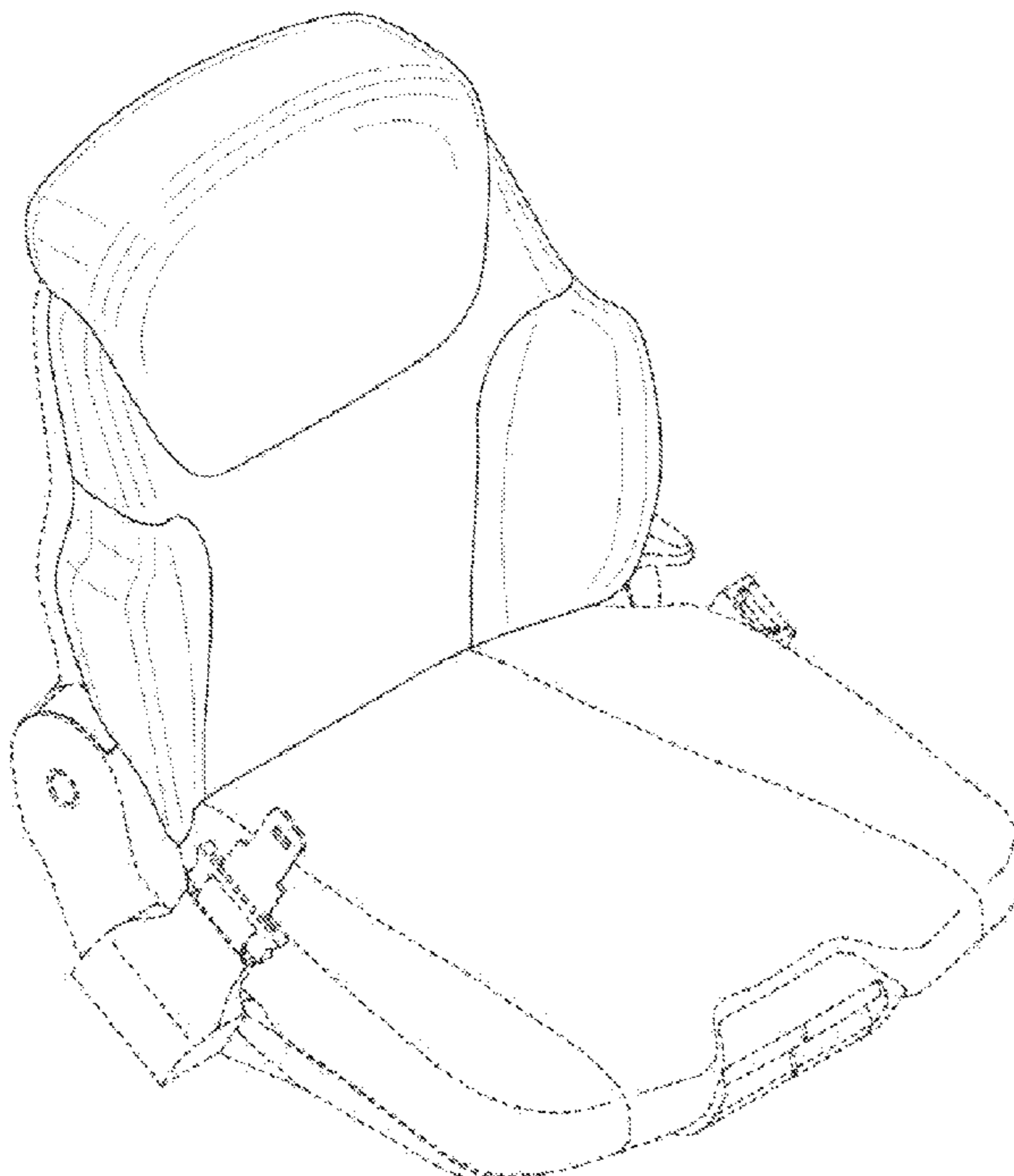


FIG. 1

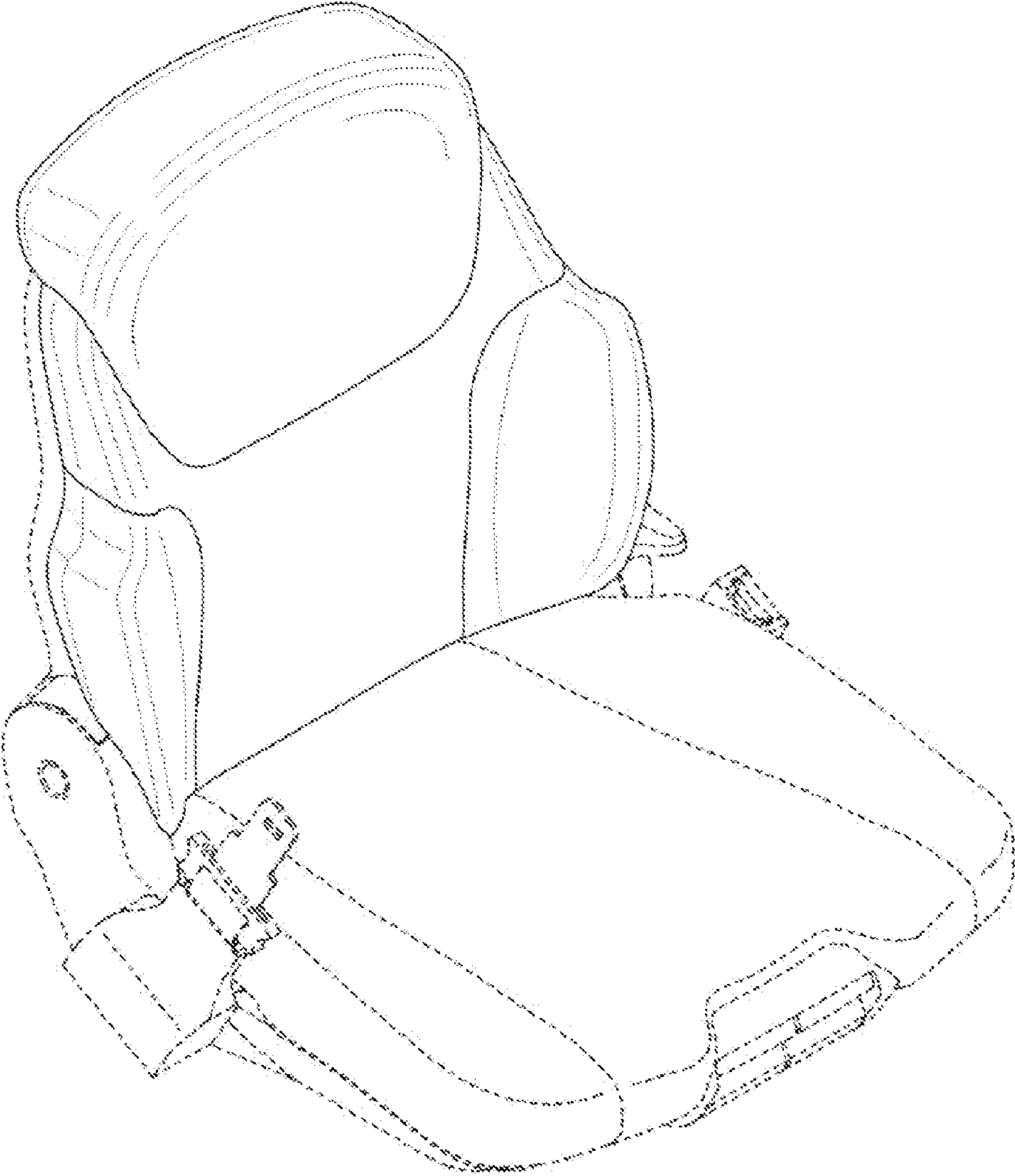


FIG. 2

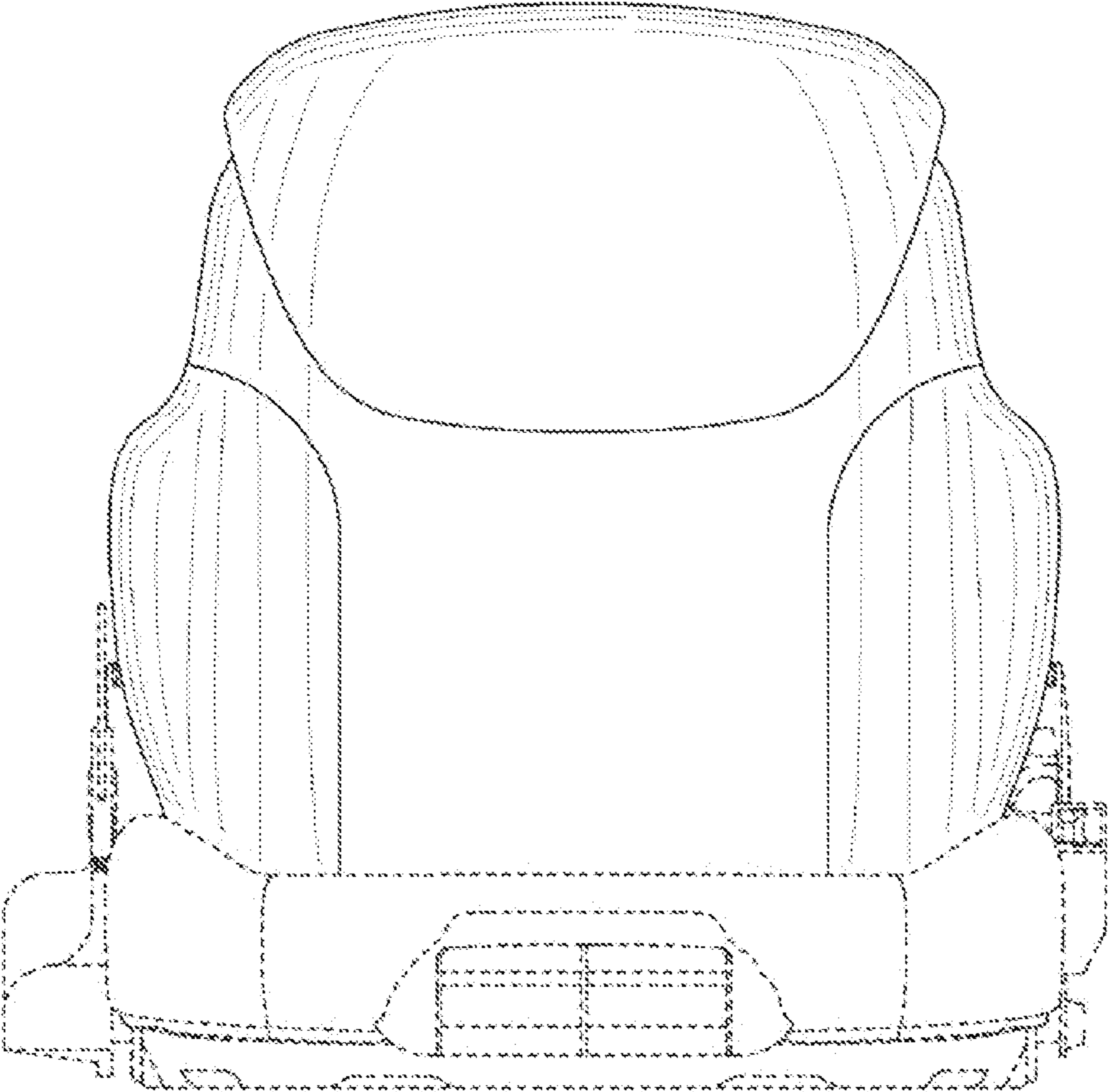


FIG. 3

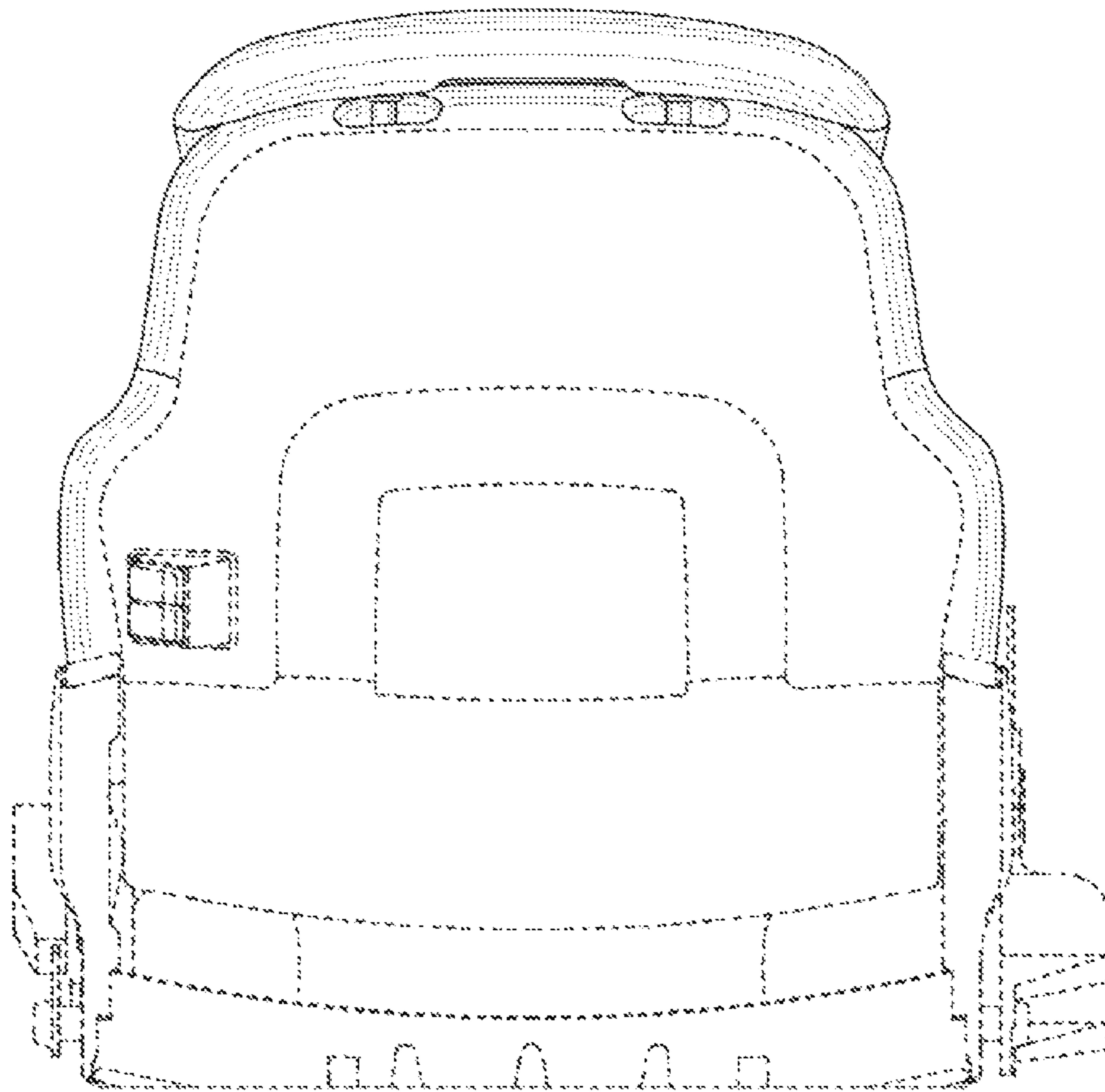


FIG. 4

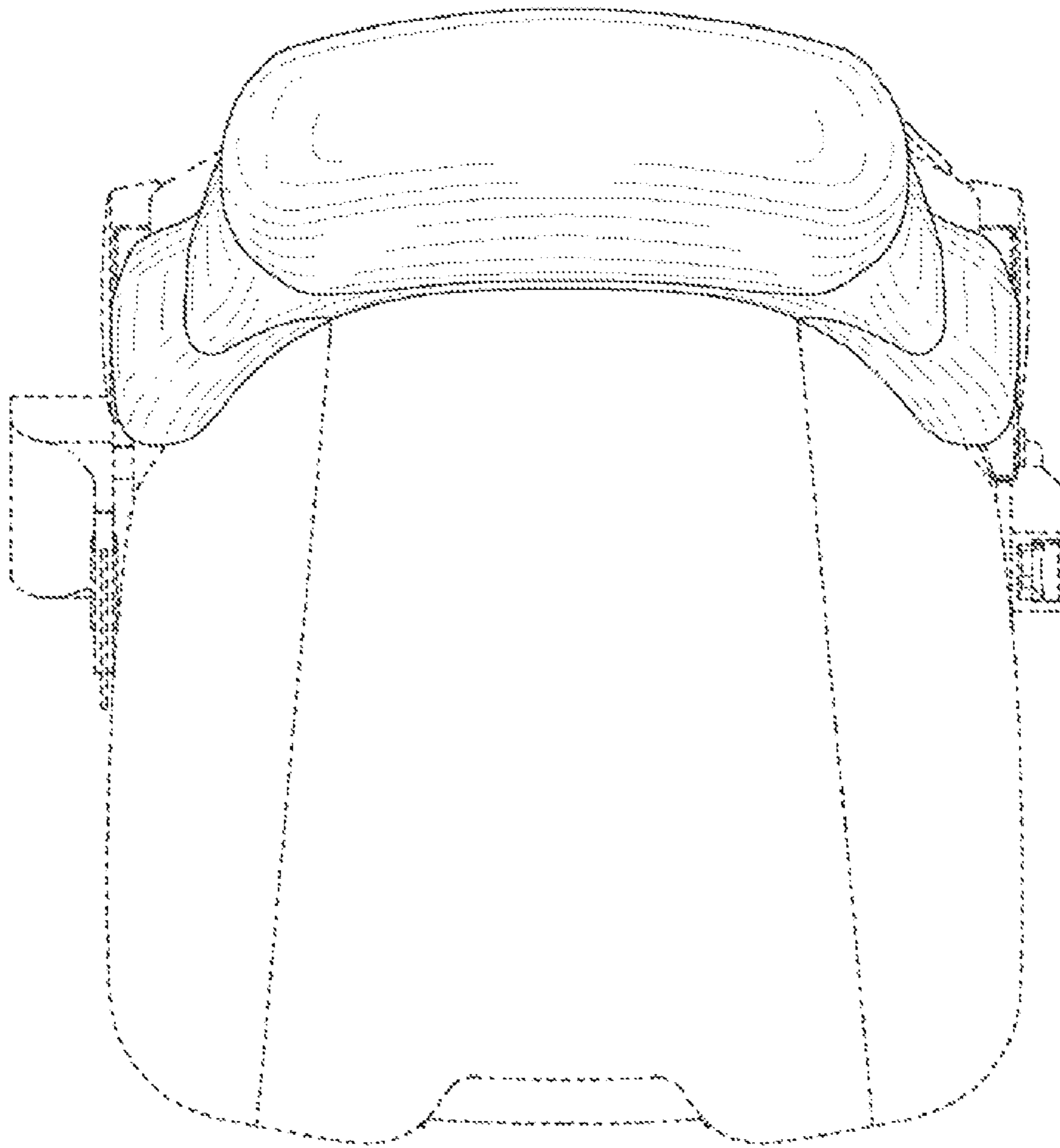


FIG. 5

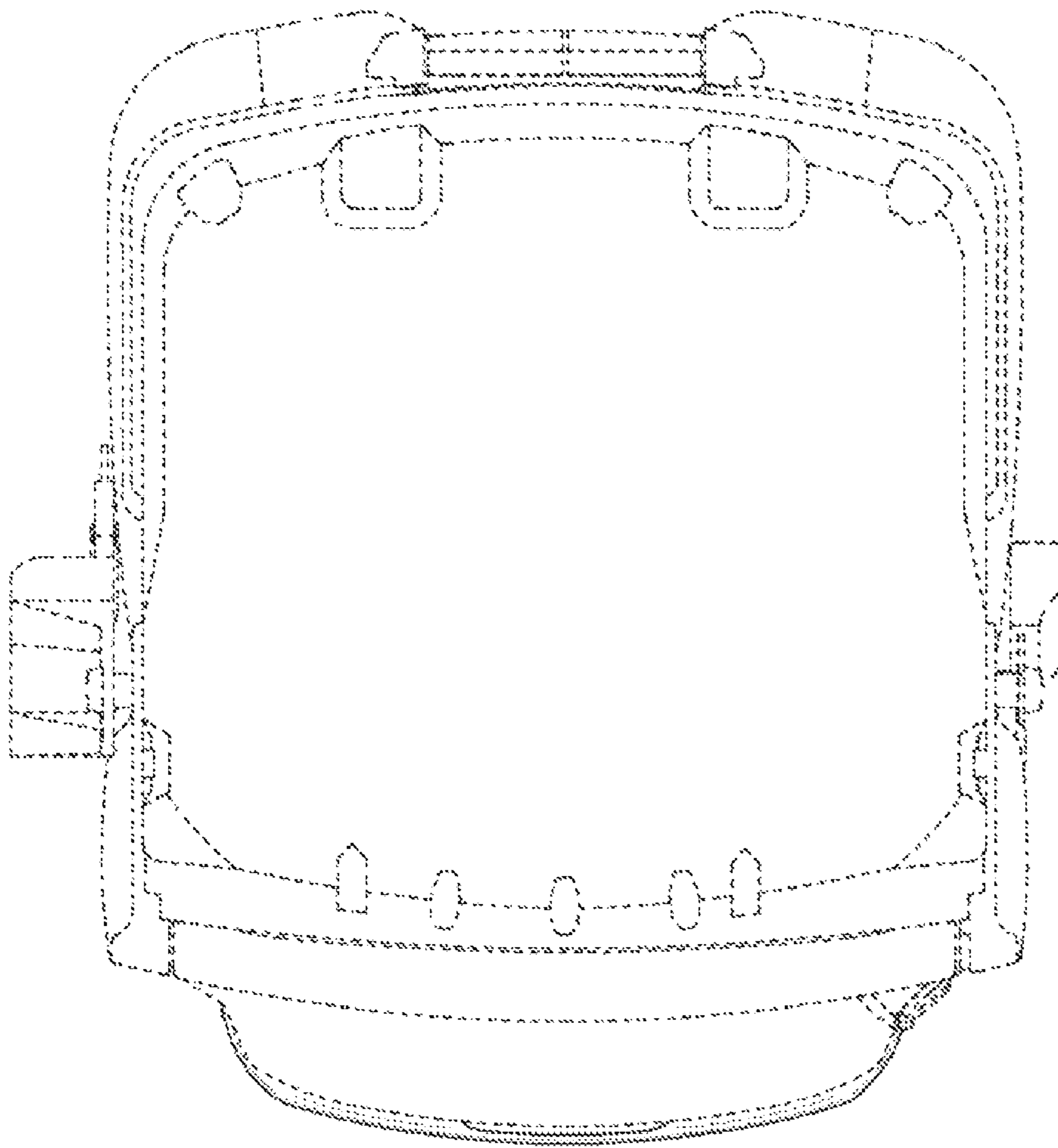


FIG. 6

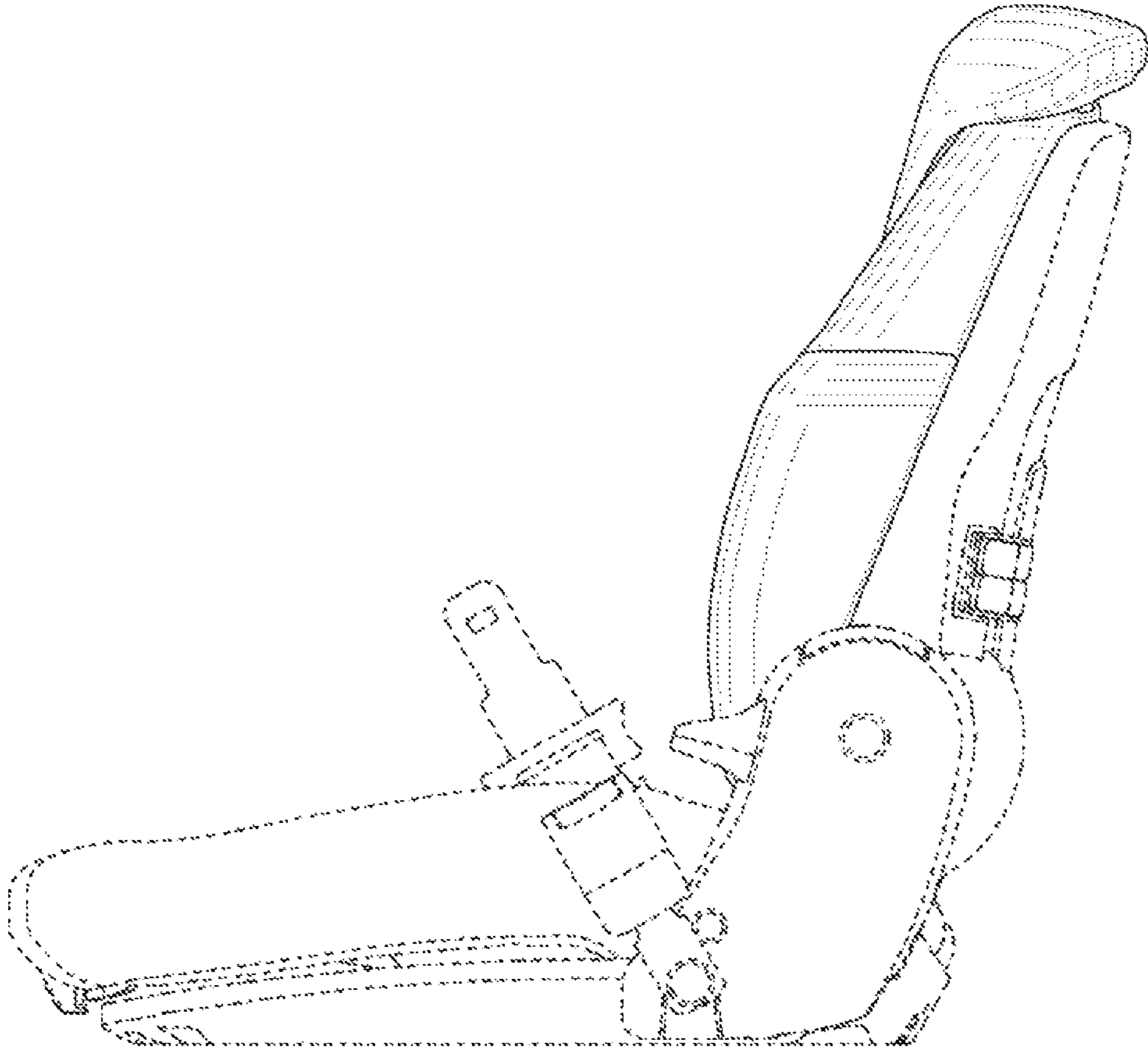


FIG. 7

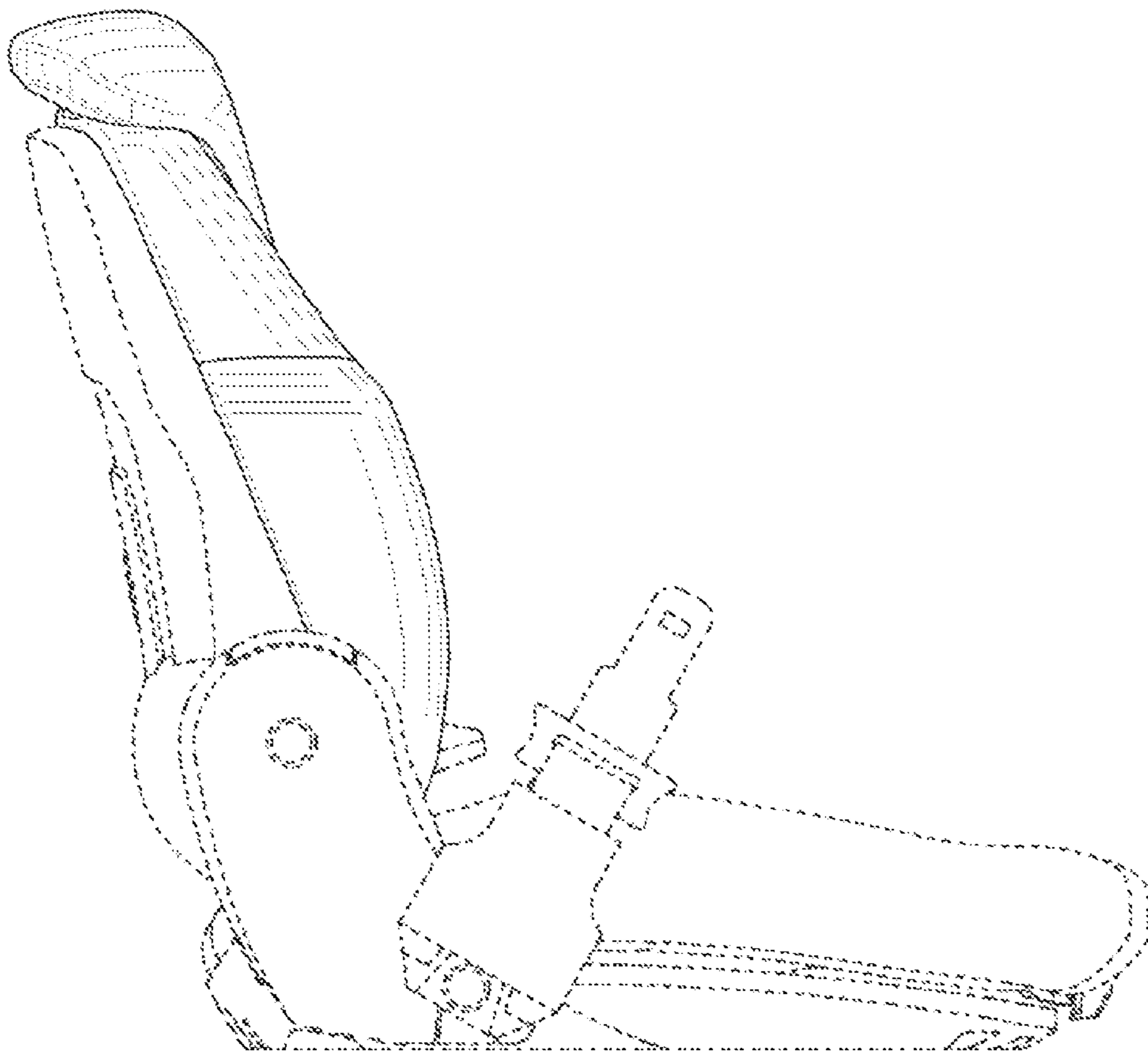


FIG. 8

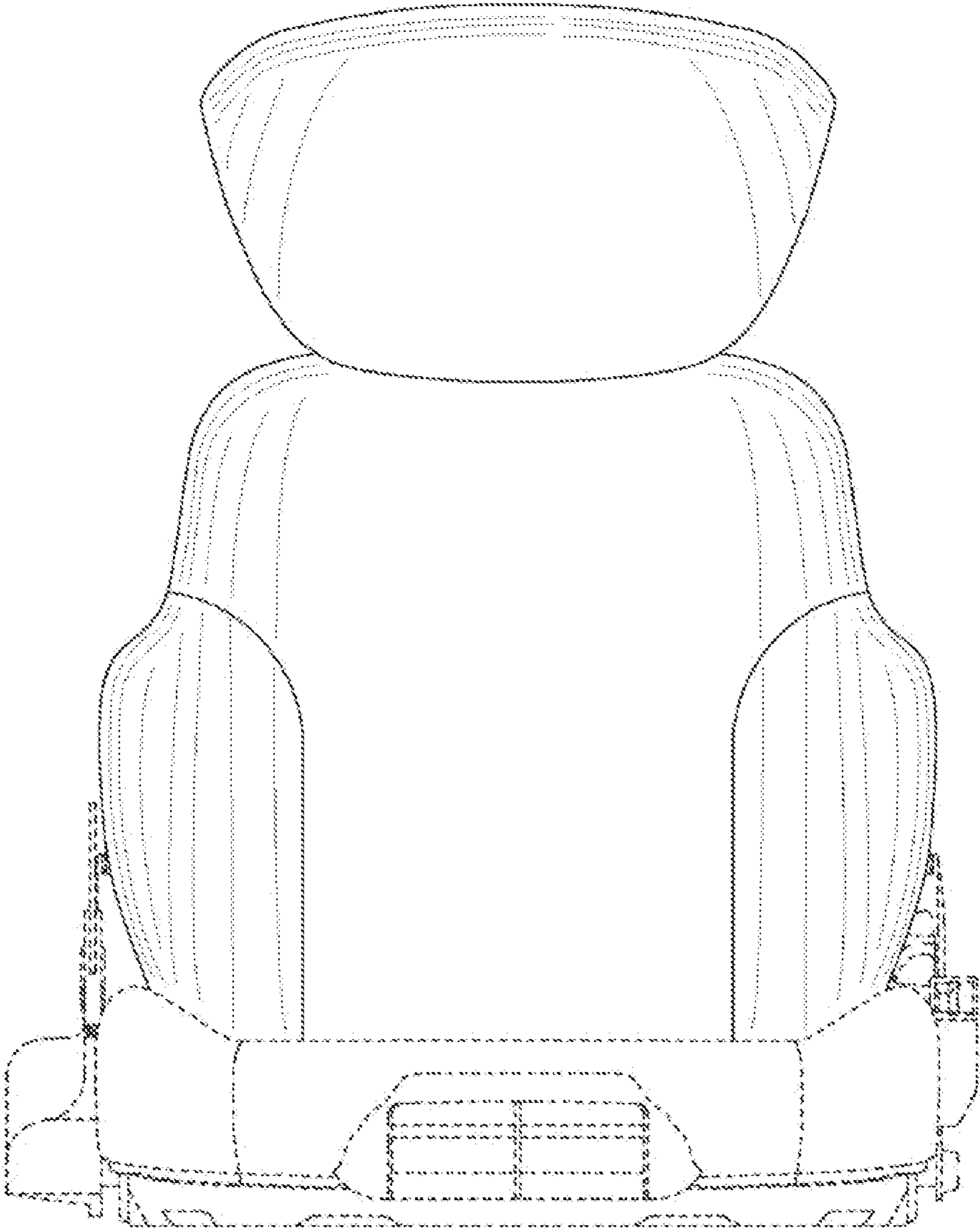


FIG. 9

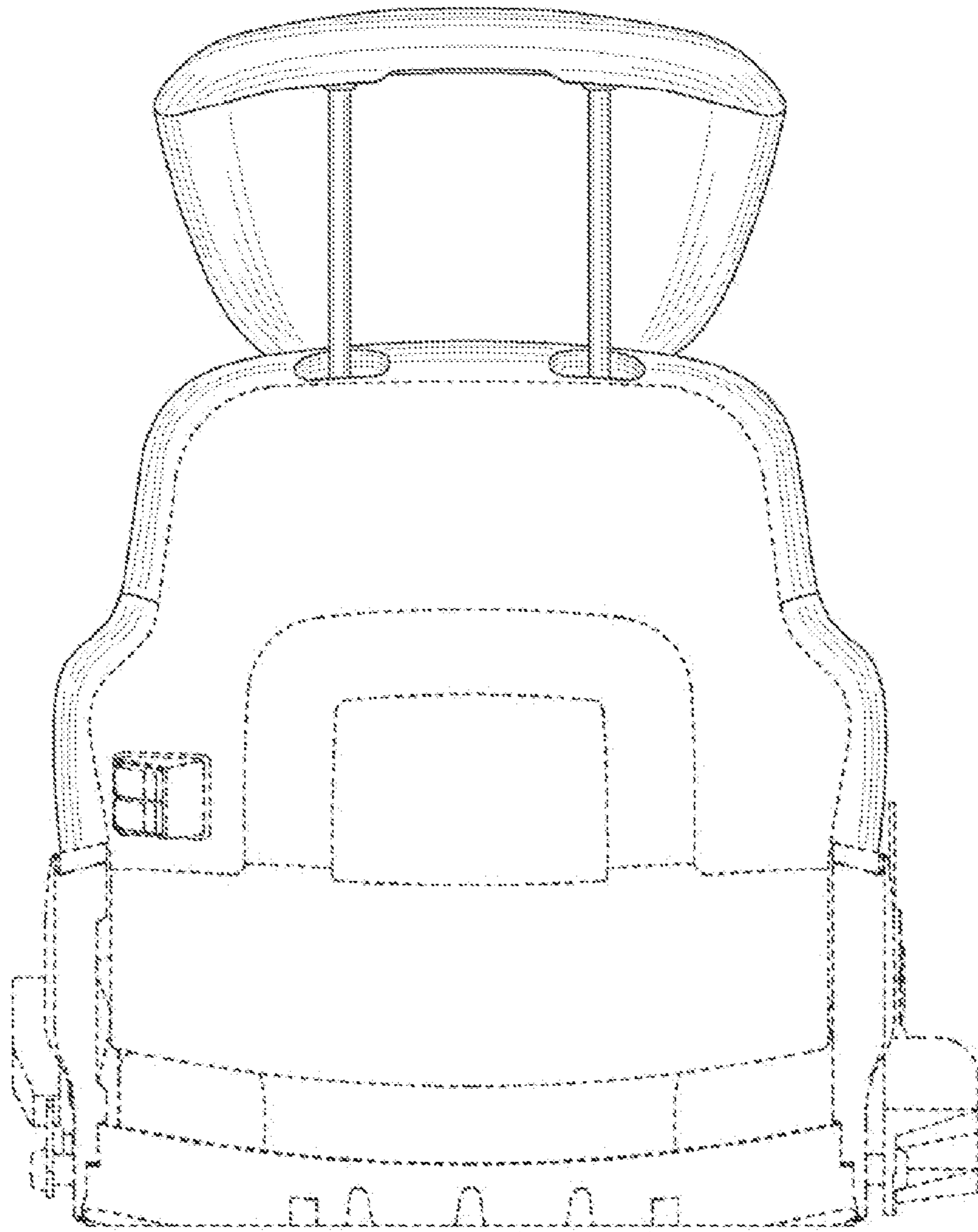


FIG. 10

