



US00D653860S

(12) **United States Design Patent**  
**Duma**

(10) **Patent No.:** **US D653,860 S**

(45) **Date of Patent:** **\*\* Feb. 14, 2012**

(54) **MIRROR**

(76) Inventor: **Radu Duma**, Vancouver, WA (US)

(\*\*) Term: **14 Years**

(21) Appl. No.: **29/365,356**

(22) Filed: **Jul. 8, 2010**

(51) **LOC (9) Cl.** ..... **06-07**

(52) **U.S. Cl.** ..... **D6/303**

(58) **Field of Classification Search** ..... D6/300-314,  
D6/444; D20/10, 40; 40/700, 711, 714-717,  
40/720, 721-724, 728, 735, 780; D26/36,  
D26/24, 80, 63

See application file for complete search history.

(56) **References Cited**

**U.S. PATENT DOCUMENTS**

D182,188 S *	2/1958	Kyle	.....	D6/301
D359,374 S *	6/1995	Weinstock	.....	D26/80
D397,876 S *	9/1998	Tsui	.....	D6/301
D563,012 S *	2/2008	Citterio	.....	D26/63

D590,604 S *	4/2009	Pozin et al.	.....	D6/302
D636,611 S *	4/2011	Duma	.....	D6/309
D646,416 S *	10/2011	Wauters	.....	D26/63

\* cited by examiner

*Primary Examiner* — Philip S Hyder

*Assistant Examiner* — Sydney Buffalow

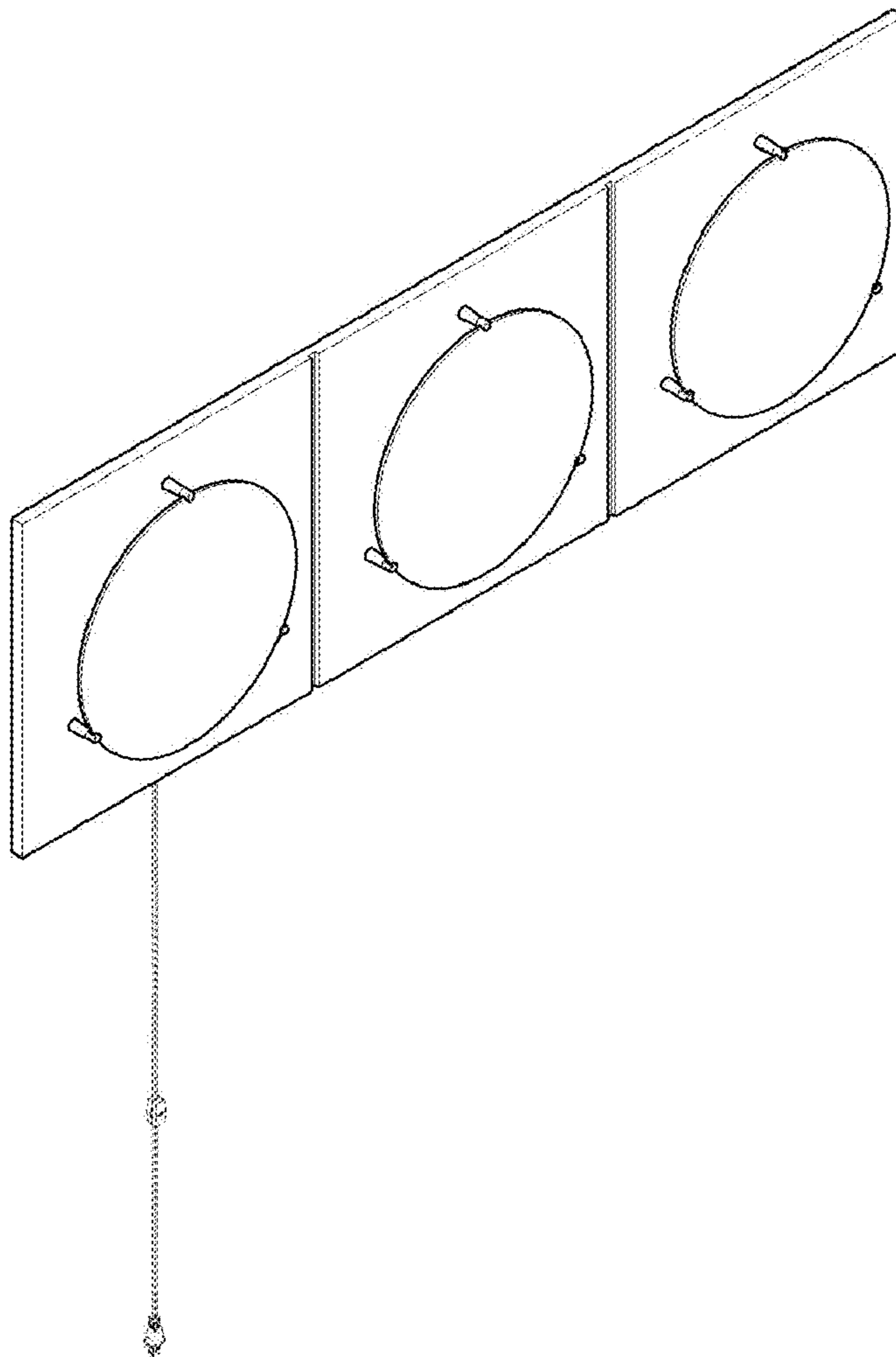
(57) **CLAIM**

The ornamental design for a mirror, as shown and described.

**DESCRIPTION**

FIG. 1 is an offset frontal view of the invention;  
FIG. 2 is a front view of the invention;  
FIG. 3 is a right side view of the invention;  
FIG. 4 is a top view of the invention;  
FIG. 5 is bottom view of the invention;  
FIG. 6 is a rear view of the invention; and,  
FIG. 7 is an offset rear view of the invention.  
The broken lines showing of the pull chain is for environmental purposes only and form no part of the claimed design.

**1 Claim, 3 Drawing Sheets**



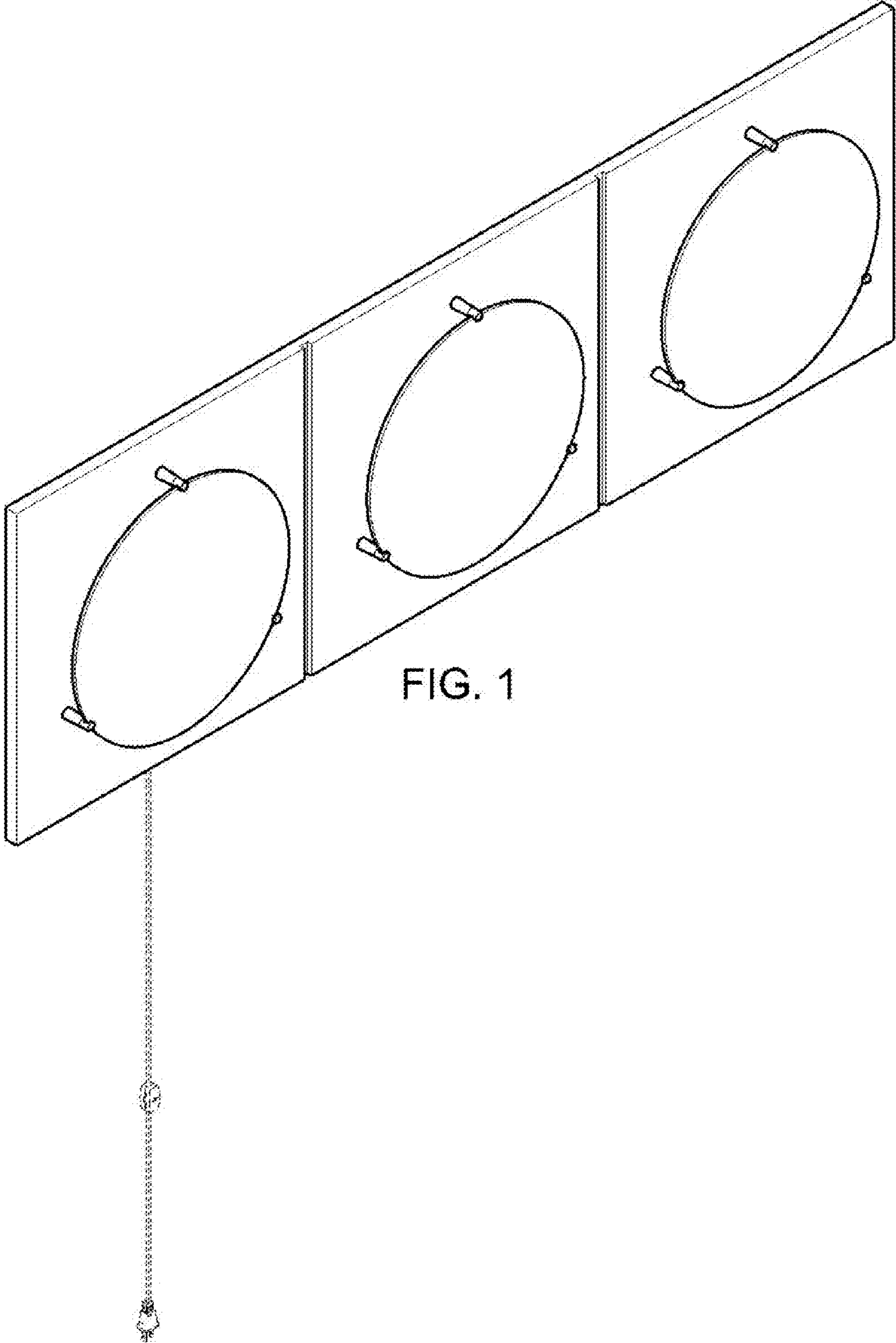


FIG. 1

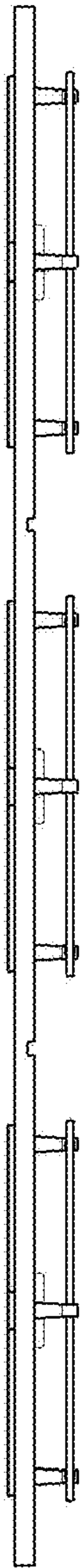


FIG. 4

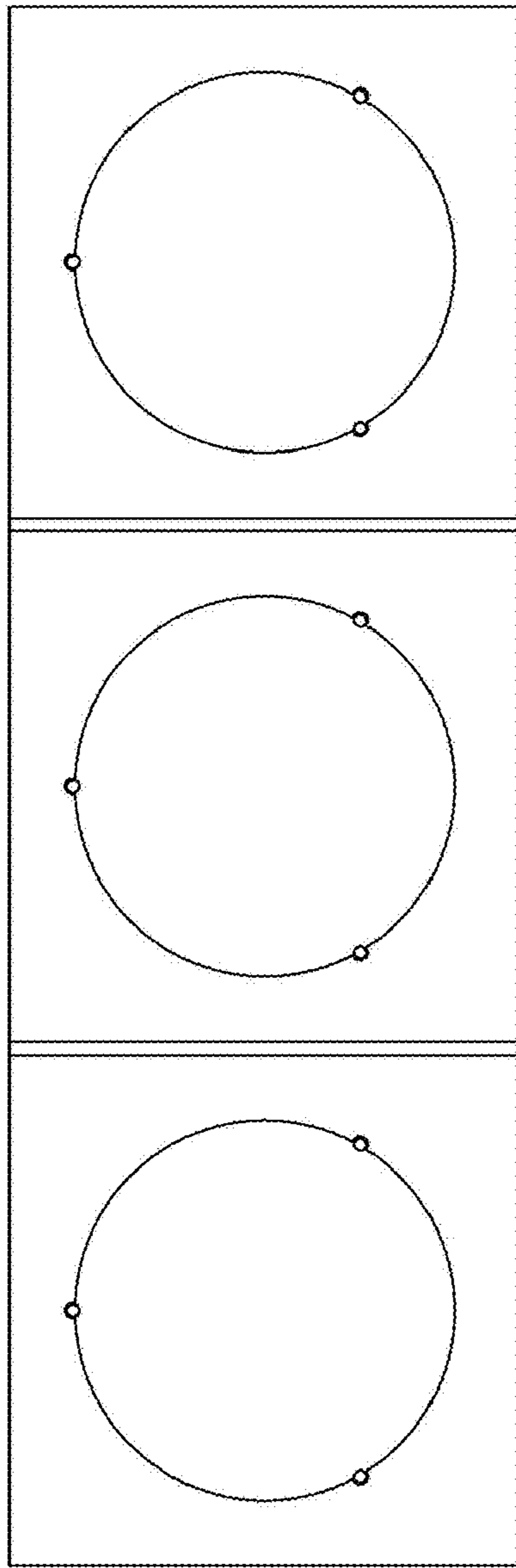


FIG. 2

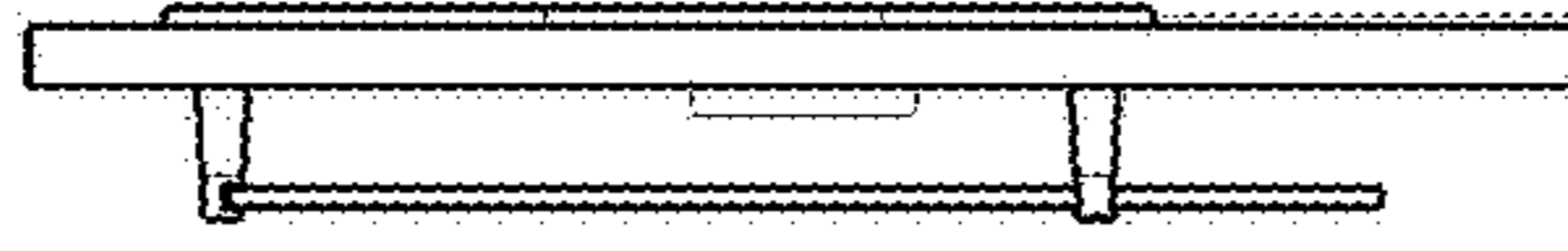


FIG. 3

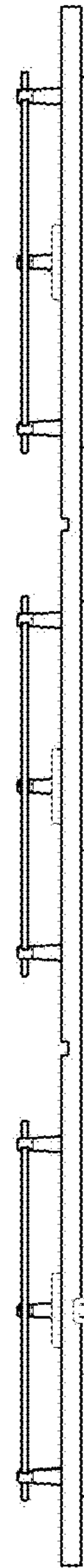


FIG. 5

