



US00D653858S

(12) **United States Design Patent**
Cordovana

(10) **Patent No.:** **US D653,858 S**

(45) **Date of Patent:** **** Feb. 14, 2012**

(54) **FABRIC**

(75) Inventor: **Michael Cordovana**, Phoenix, AZ (US)

(73) Assignee: **Mad Pax, L.L.C.**, Phoenix, AZ (US)

(**) Term: **14 Years**

(21) Appl. No.: **29/376,299**

(22) Filed: **Oct. 5, 2010**

(51) **LOC (9) Cl.** **05-05**

(52) **U.S. Cl.** **D5/47**

(58) **Field of Classification Search** D5/1, 3,
D5/4, 7, 47, 53, 54, 57-63, 99; D6/582,
D6/583, 592, 594; D19/5; D24/124, 126;
4/581; 5/490; 15/208, 209.1; 112/401, 402;
139/383 B, 383 R, 384 R; 162/109, 134;
428/32, 39, 187, 542.2, 542.6

See application file for complete search history.

(56) **References Cited**

U.S. PATENT DOCUMENTS

34,001	A *	12/1861	Mayall	15/215
1,403,771	A *	1/1922	Hamer	229/87.08
5,082,712	A *	1/1992	Starp	428/95
5,399,406	A *	3/1995	Matsuo et al.	428/57
5,575,034	A *	11/1996	Biernacinski et al.	15/217
5,667,873	A *	9/1997	Beckenbach	428/141

D401,100	S *	11/1998	Stull	D6/582
D443,459	S *	6/2001	Gavoille	D6/582
D477,171	S *	7/2003	Gabbour	D6/582
D491,658	S *	6/2004	Malcic	D24/124
D575,702	S *	8/2008	Lapierre	D12/174
D589,290	S *	3/2009	Hatta et al.	D6/587
2004/0209103	A1 *	10/2004	Tseng	428/542.2

* cited by examiner

Primary Examiner — Karen S Acker

(74) *Attorney, Agent, or Firm* — Meschkow & Gresham, P.L.C.

(57) **CLAIM**

The ornamental design for a fabric, as shown and described.

DESCRIPTION

FIG. 1 is a front perspective view of a fabric, showing my new design therefore;

FIG. 2 is a top view thereof;

FIG. 3 is a side view thereof; with all sides being mirror images thereof;

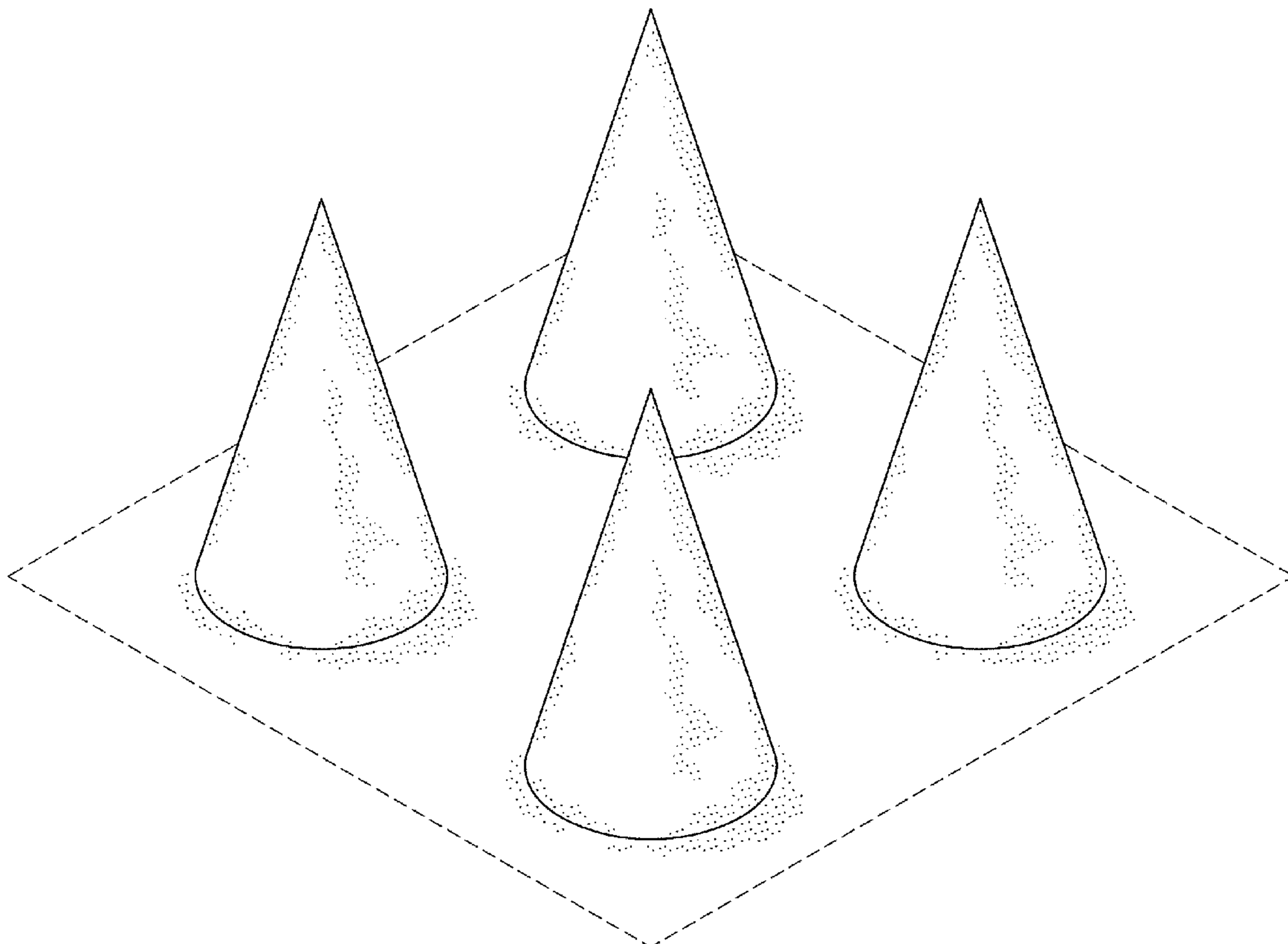
FIG. 4 is a front perspective view of a second alternate embodiment of a fabric;

FIG. 5 is a top view thereof; and,

FIG. 6 is a side view thereof; with all sides being mirror images thereof.

The broken lines in the drawings represent environmental subject matter that forms no part of the claimed design.

1 Claim, 4 Drawing Sheets



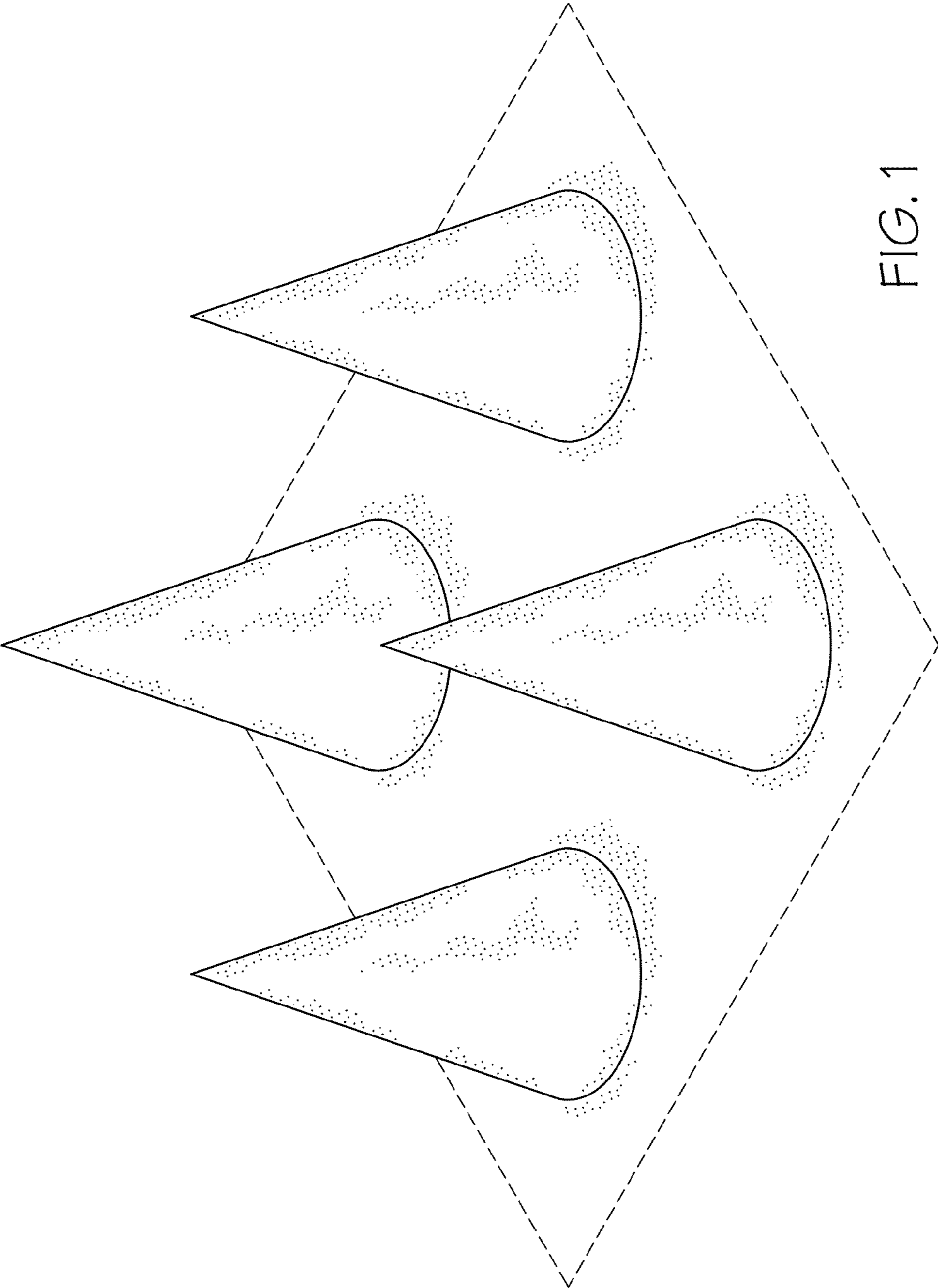


FIG. 1

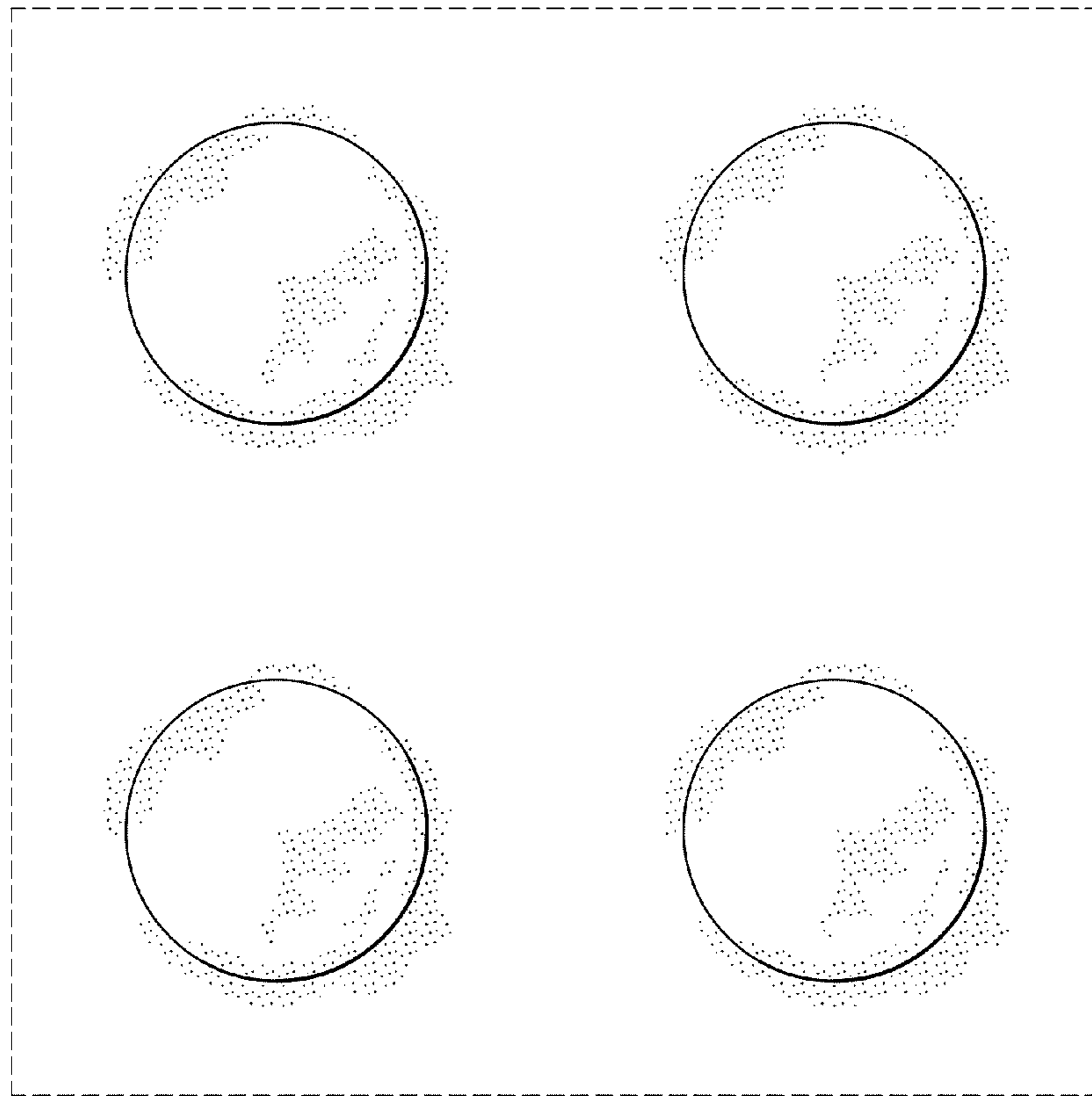


FIG. 2

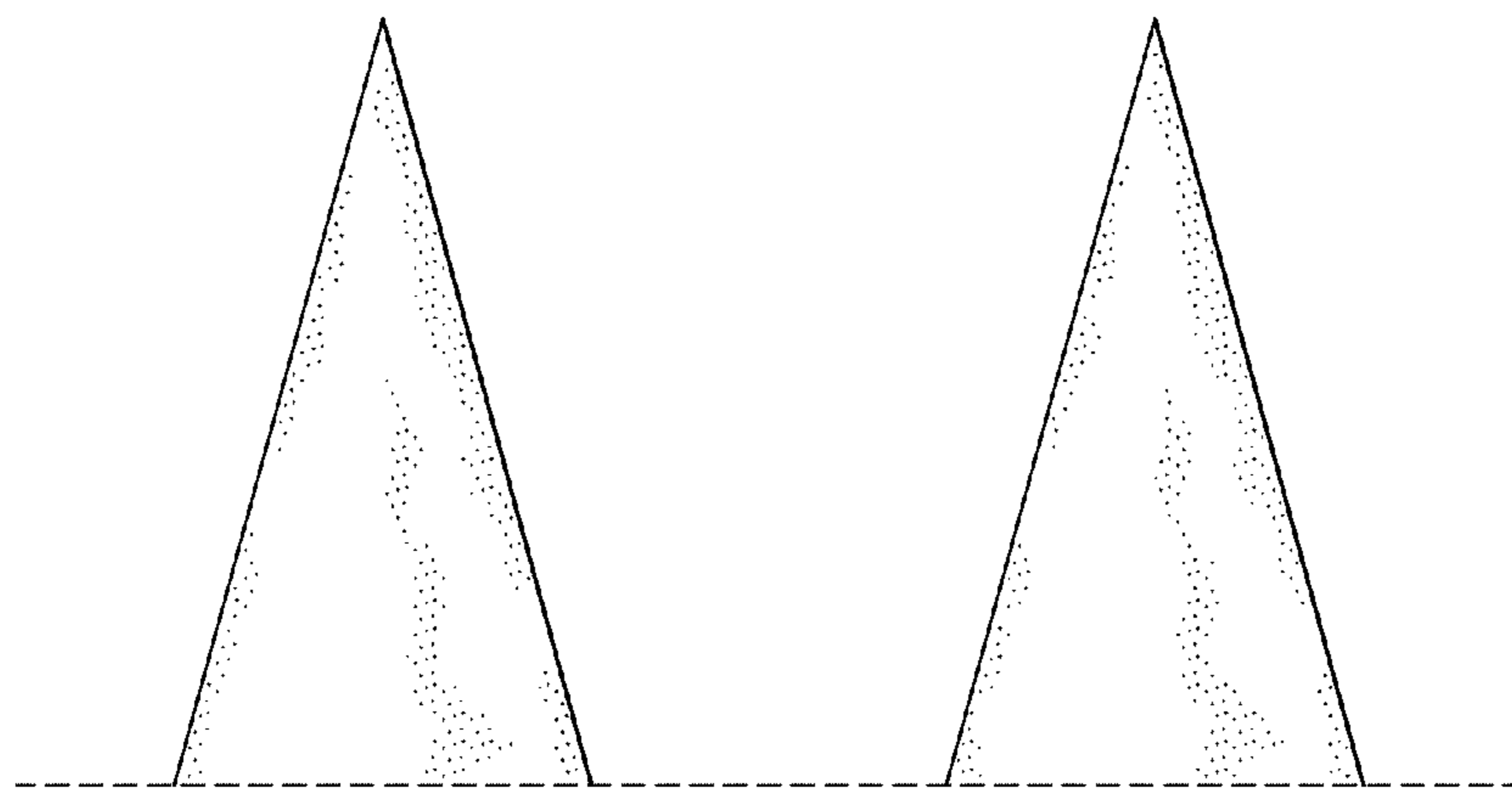


FIG. 3

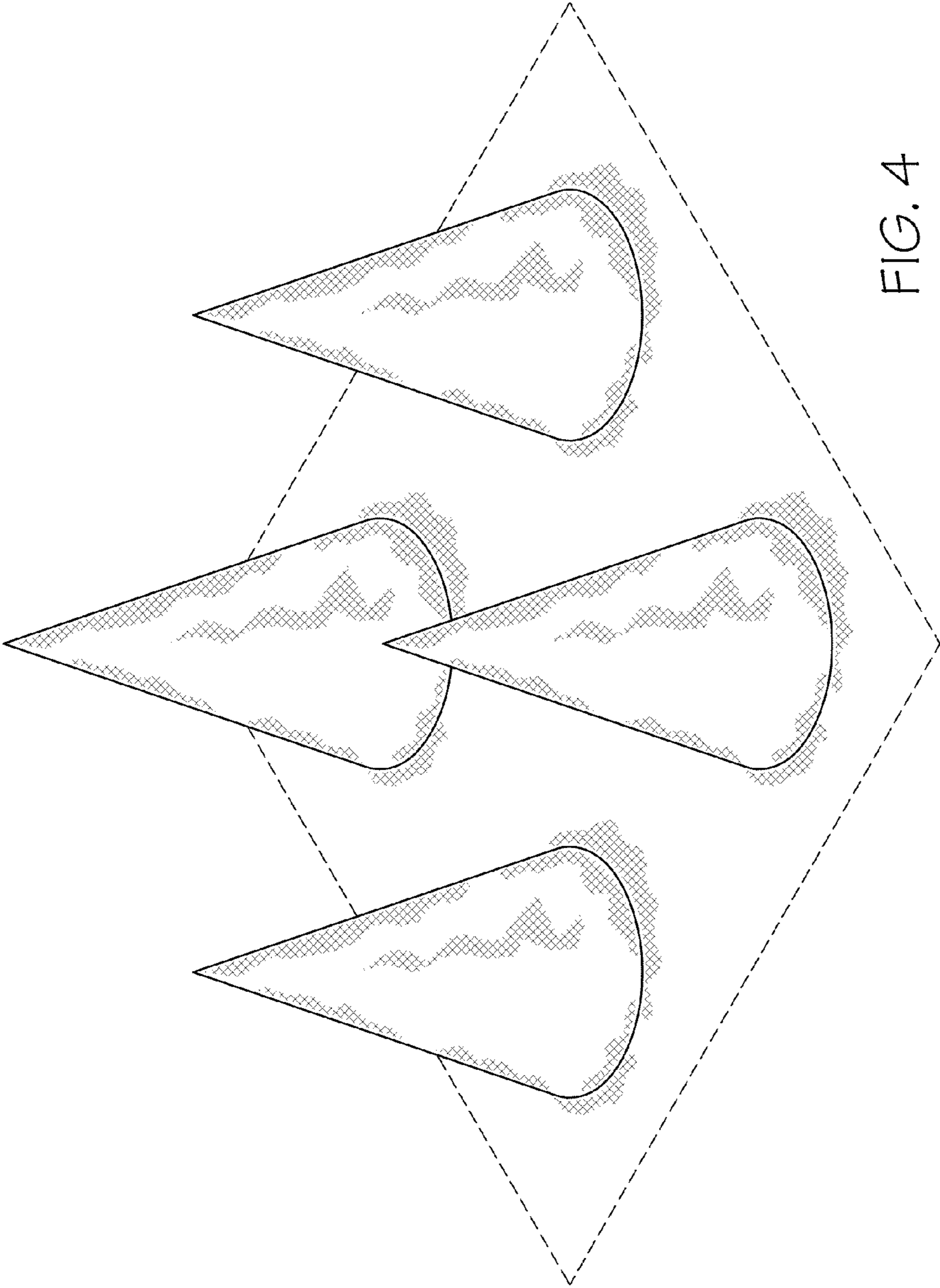


FIG. 4

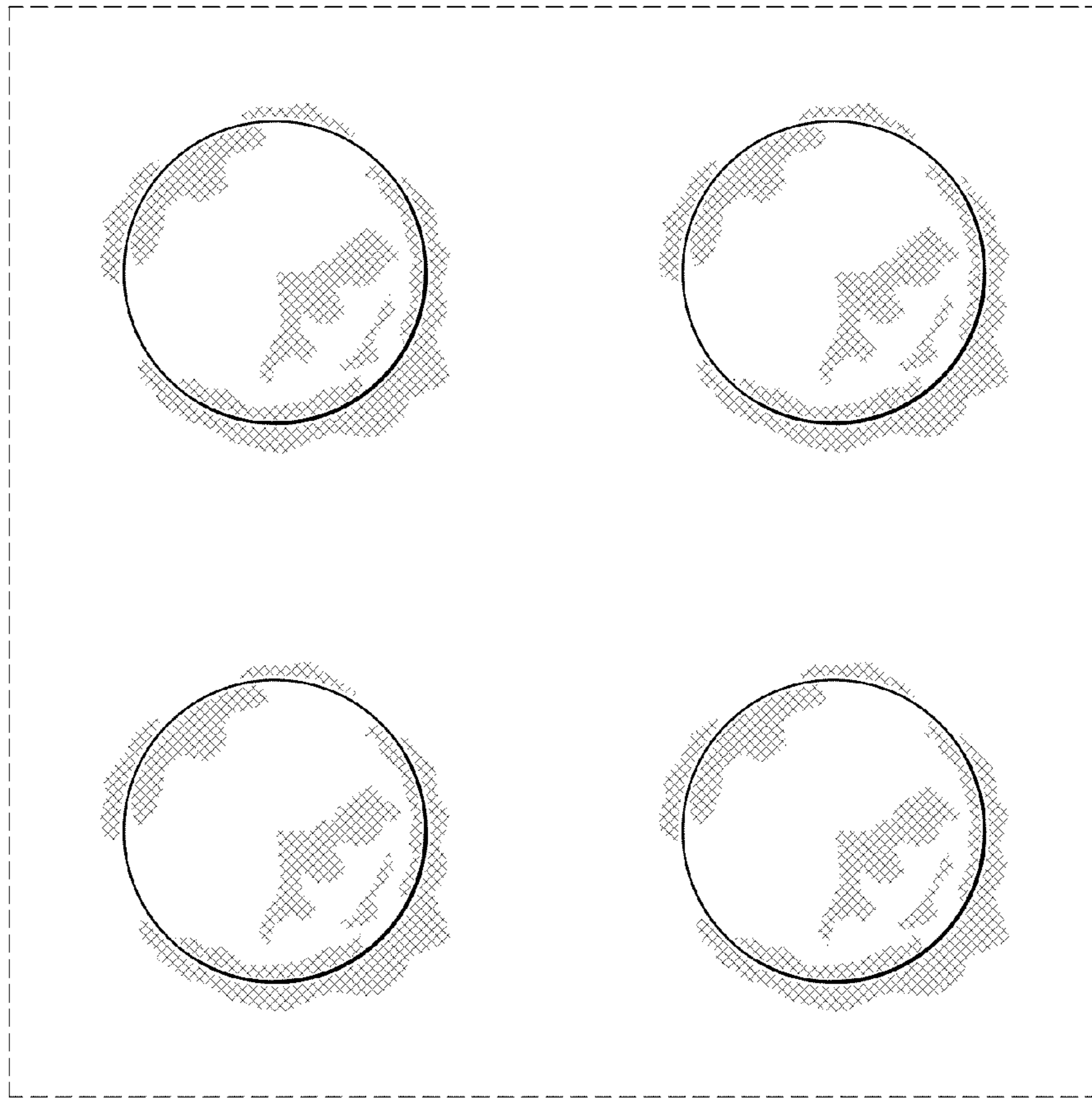


FIG. 5

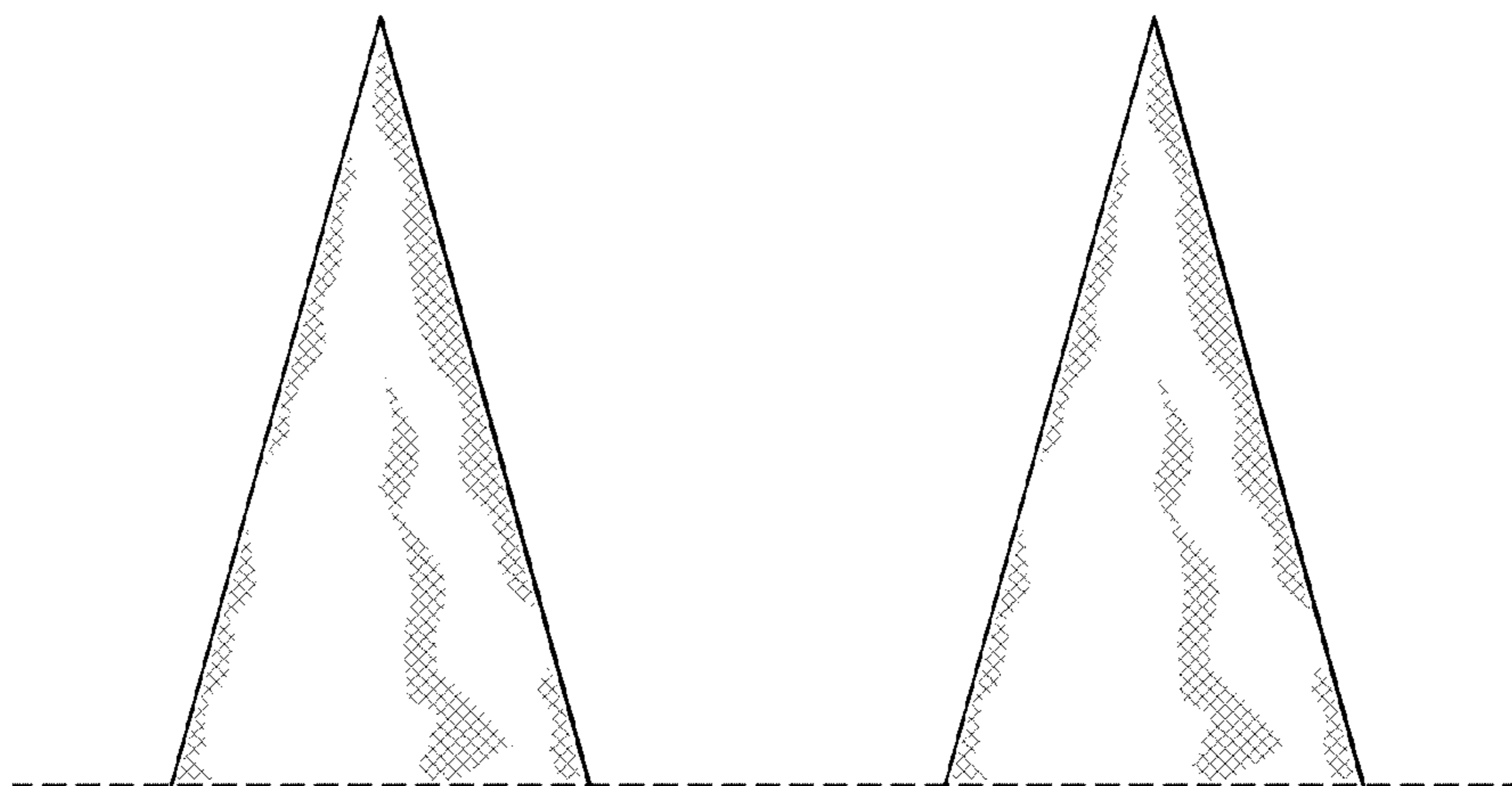


FIG. 6