



US00D653857S

(12) **United States Design Patent**
Pritchett et al.

(10) **Patent No.:** **US D653,857 S**

(45) **Date of Patent:** **** Feb. 14, 2012**

(54) **CADDY ASSEMBLY**

(76) Inventors: **Yvonne M. Pritchett**, Corona, NY (US);
Roxanne M. Solomon, San Jose, CA
(US); **Dorothy Stewart**, San Jose, CA
(US)

(**) Term: **14 Years**

(21) Appl. No.: **29/360,458**

(22) Filed: **Apr. 26, 2010**

(51) **LOC (9) Cl.** **03-02**

(52) **U.S. Cl.** **D3/315**

(58) **Field of Classification Search** D3/201,
D3/205, 206, 215–217, 221, 226, 227, 231–233,
D3/245, 246, 254, 256, 303, 299; 206/349,
206/372, 373, 379, 162; 150/117; 224/657;
428/35.2; D12/416; D6/596; 297/467

See application file for complete search history.

(56) **References Cited**

U.S. PATENT DOCUMENTS

2,405,517	A *	8/1946	Plummer	206/162
D191,924	S *	12/1961	Meade et al.	D3/303
D234,326	S *	2/1975	Kato	D3/231
5,297,852	A *	3/1994	Morales-Quintero	297/467
D366,145	S *	1/1996	Hankins et al.	D3/231
D387,906	S *	12/1997	Petty	D3/299
D407,216	S *	3/1999	Vickers	D3/233
D408,137	S *	4/1999	Leininger	D3/231

D410,551	S	6/1999	Glumont et al.	
D453,874	S *	2/2002	Frase D3/246
D463,664	S *	10/2002	Borsuk D3/299
D487,635	S *	3/2004	Collins D3/315
D494,534	S *	8/2004	Hassett D12/416
D617,600	S *	6/2010	Corneh et al. D6/596

* cited by examiner

Primary Examiner — Ian Simmons

Assistant Examiner — Charles Hanson

(74) *Attorney, Agent, or Firm* — DL Bentley Law Group
PLLC; Dwayne L. Bentley

(57) **CLAIM**

The ornamental design for a caddy assembly, as shown and described.

DESCRIPTION

FIG. 1 is a top plan view of a caddy assembly showing our new design;

FIG. 2 is a left side view thereof;

FIG. 3 is a right side view thereof;

FIG. 4 is an end view thereof;

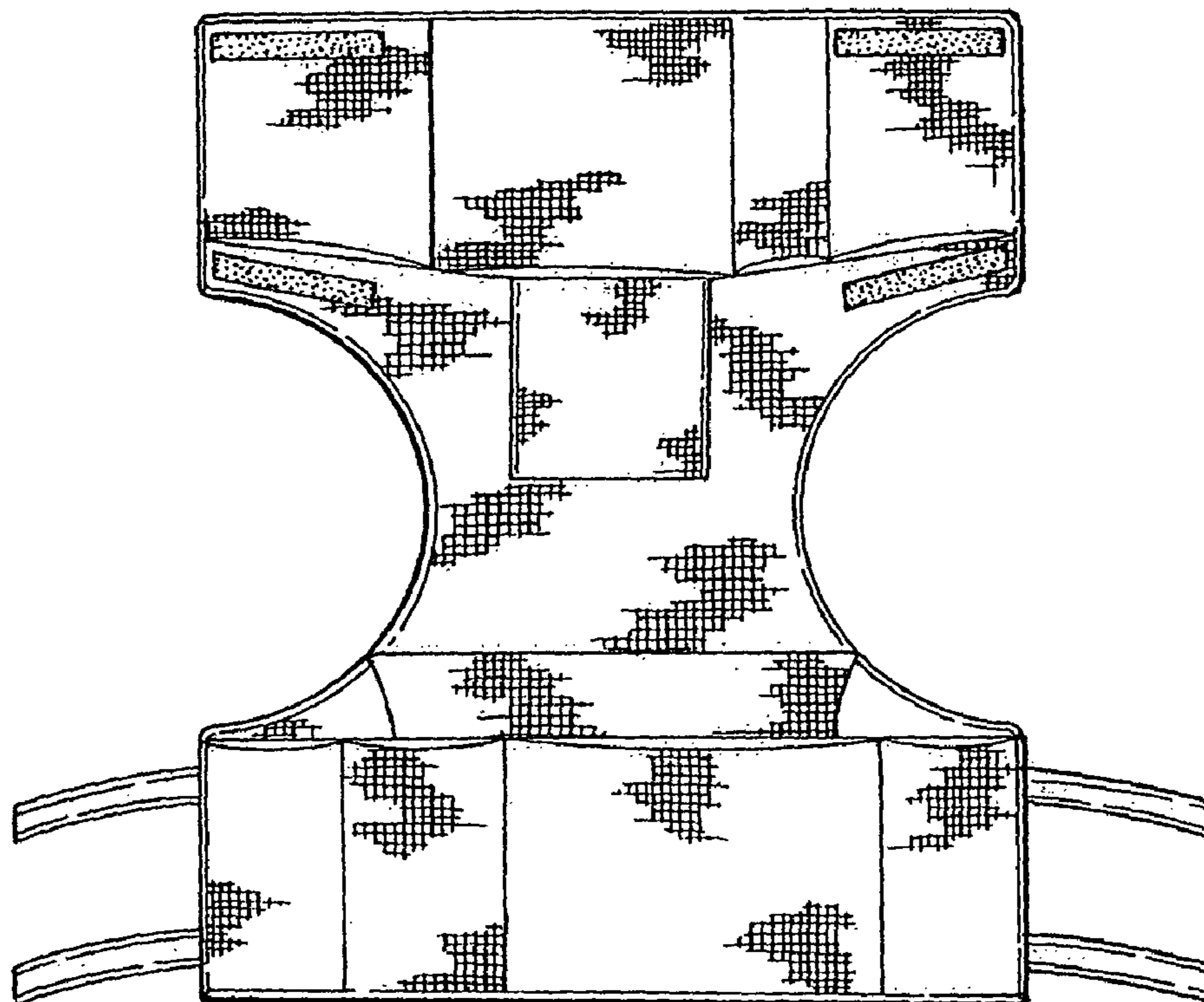
FIG. 5 is an opposite end view thereof;

FIG. 6 is a bottom plan view thereof; and,

FIG. 7 is a top perspective view thereof.

The dashed lines in FIG. 6 represent stitching.

1 Claim, 2 Drawing Sheets



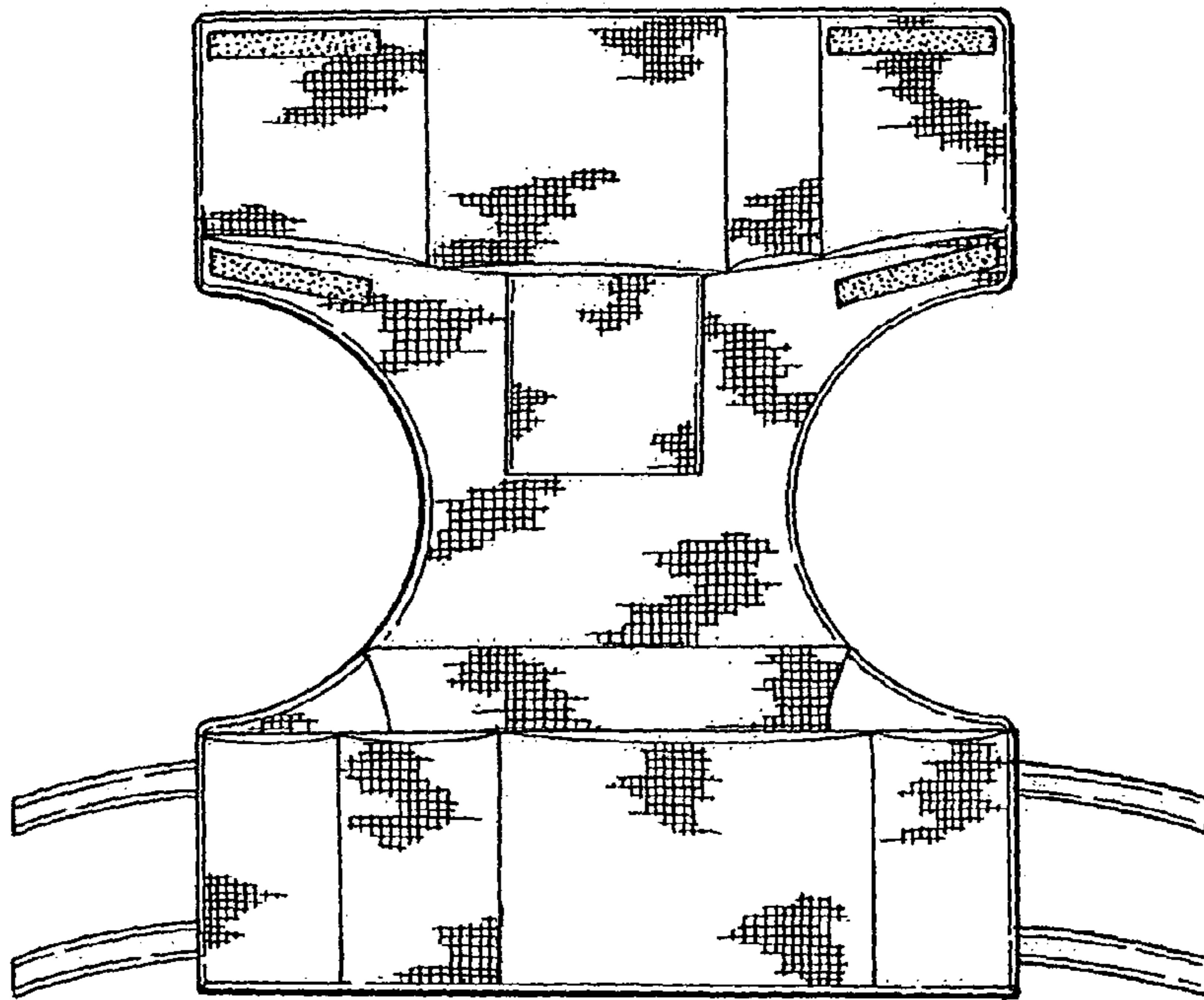


FIG. 1

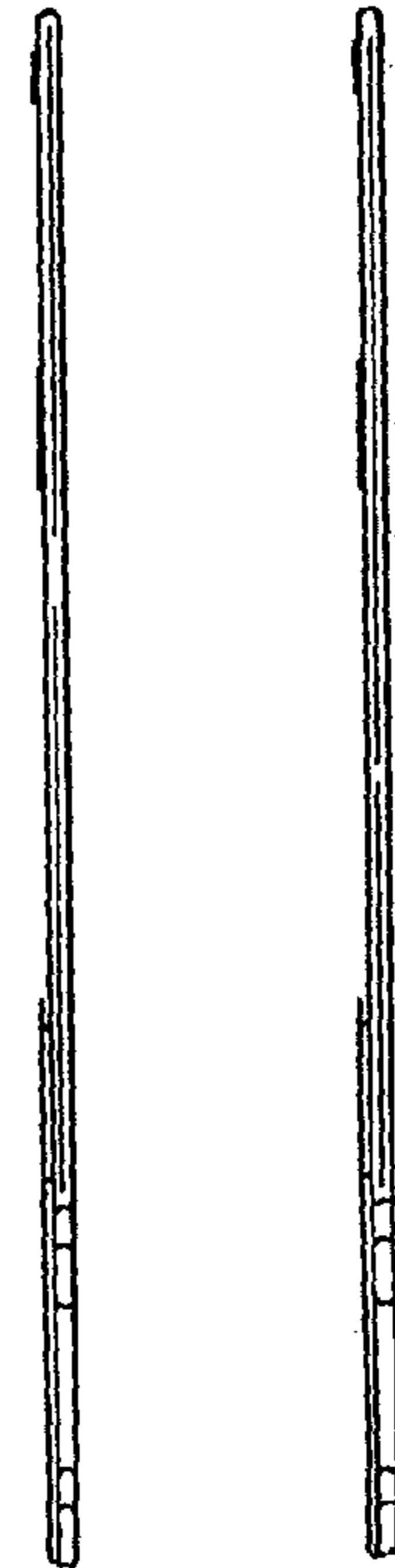


FIG. 2 FIG. 3

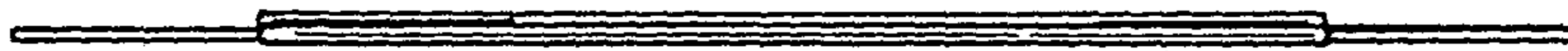


FIG. 4



FIG. 5

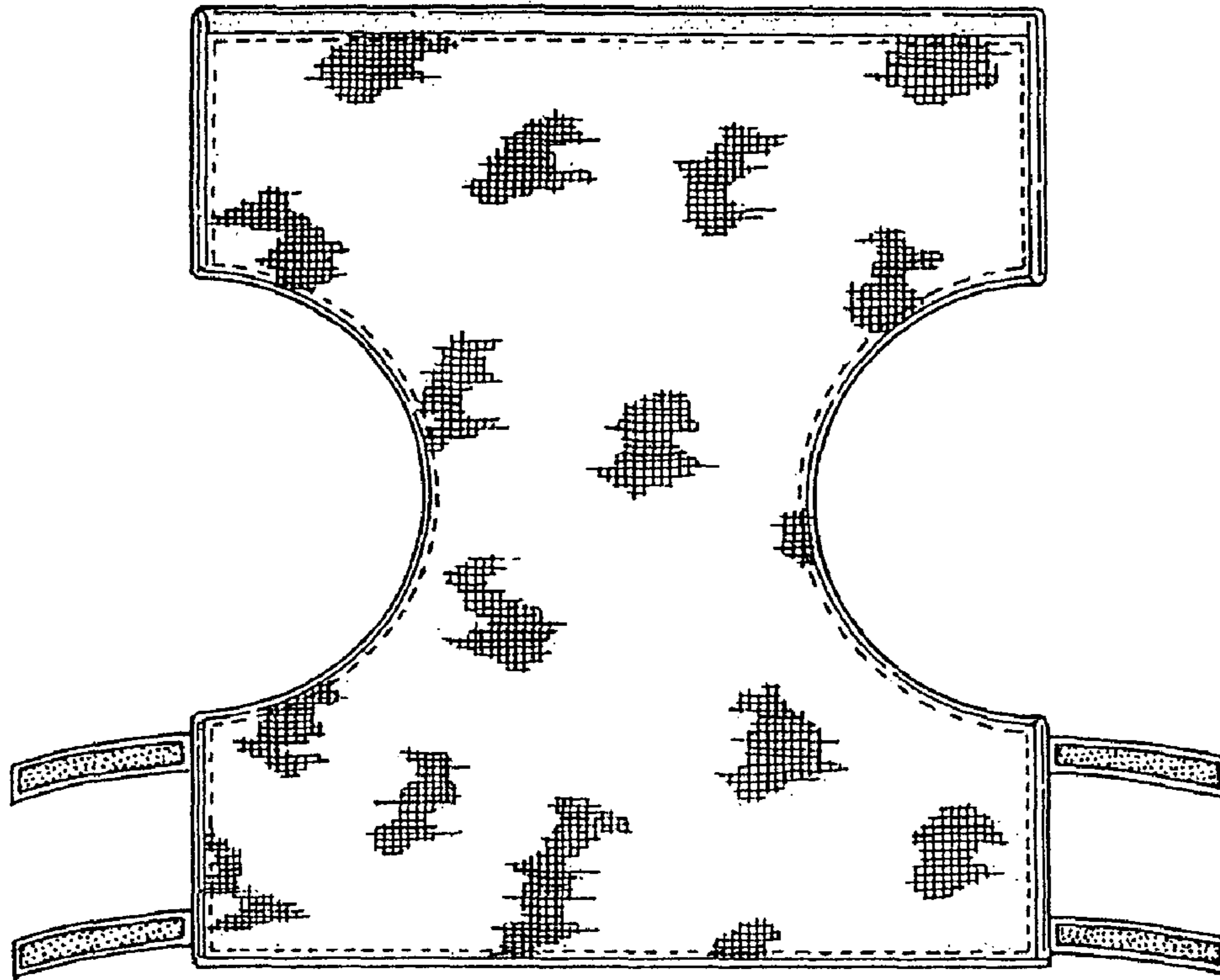


FIG. 6

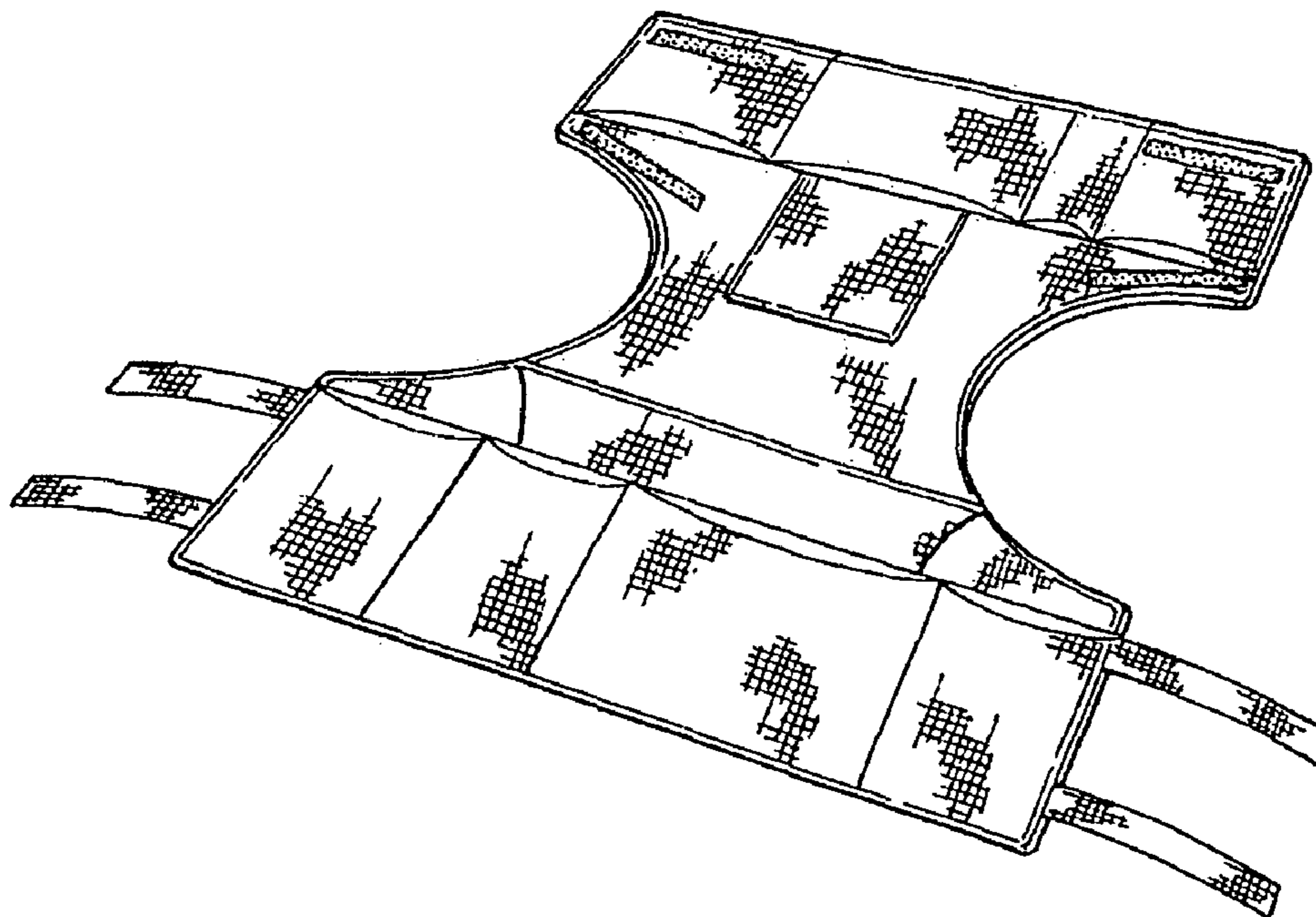


FIG. 7