



US00D653856S

(12) **United States Design Patent**  
**Lowe**

(10) **Patent No.:** **US D653,856 S**

(45) **Date of Patent:** **\*\* Feb. 14, 2012**

(54) **MANUAL SORTING DEVICE**

(76) **Inventor:** **Jerry B. Lowe, Fulton, MS (US)**

(\*\*) **Term:** **14 Years**

(21) **Appl. No.:** **29/372,796**

(22) **Filed:** **Jan. 14, 2011**

(51) **LOC (9) Cl.** ..... **03-01**

(52) **U.S. Cl.** ..... **D3/313**

(58) **Field of Classification Search** ..... D3/304,  
D3/307, 313, 315-316, 319; 211/60.1, 71.01;  
D8/71; D11/147, 152; D7/550.01, 552.1,  
D7/558

See application file for complete search history.

D575,735 S *	8/2008	Foreman et al. ....	D13/119
D578,962 S *	10/2008	Foreman et al. ....	D13/119
D618,280 S *	6/2010	Siegel .....	D19/85
D632,651 S *	2/2011	Foreman et al. ....	D13/119
D637,815 S *	5/2011	Hsieh .....	D3/313
D639,447 S *	6/2011	Karpiloff .....	D24/230

\* cited by examiner

*Primary Examiner* — Elizabeth Albert

*Assistant Examiner* — Kelley Donnelly

(74) *Attorney, Agent, or Firm* — Roger C. Turner

(57) **CLAIM**

The ornamental design for a manual sorting device, as shown and described.

**DESCRIPTION**

FIG. 1 an upper right front perspective view of a manual sorting device showing my new design;

FIG. 2 is a bottom view showing my new design;

FIG. 3 is a front elevational view showing my new design, the rear elevational view being a mirror image thereof;

FIG. 4 is a top plan view showing my design; and,

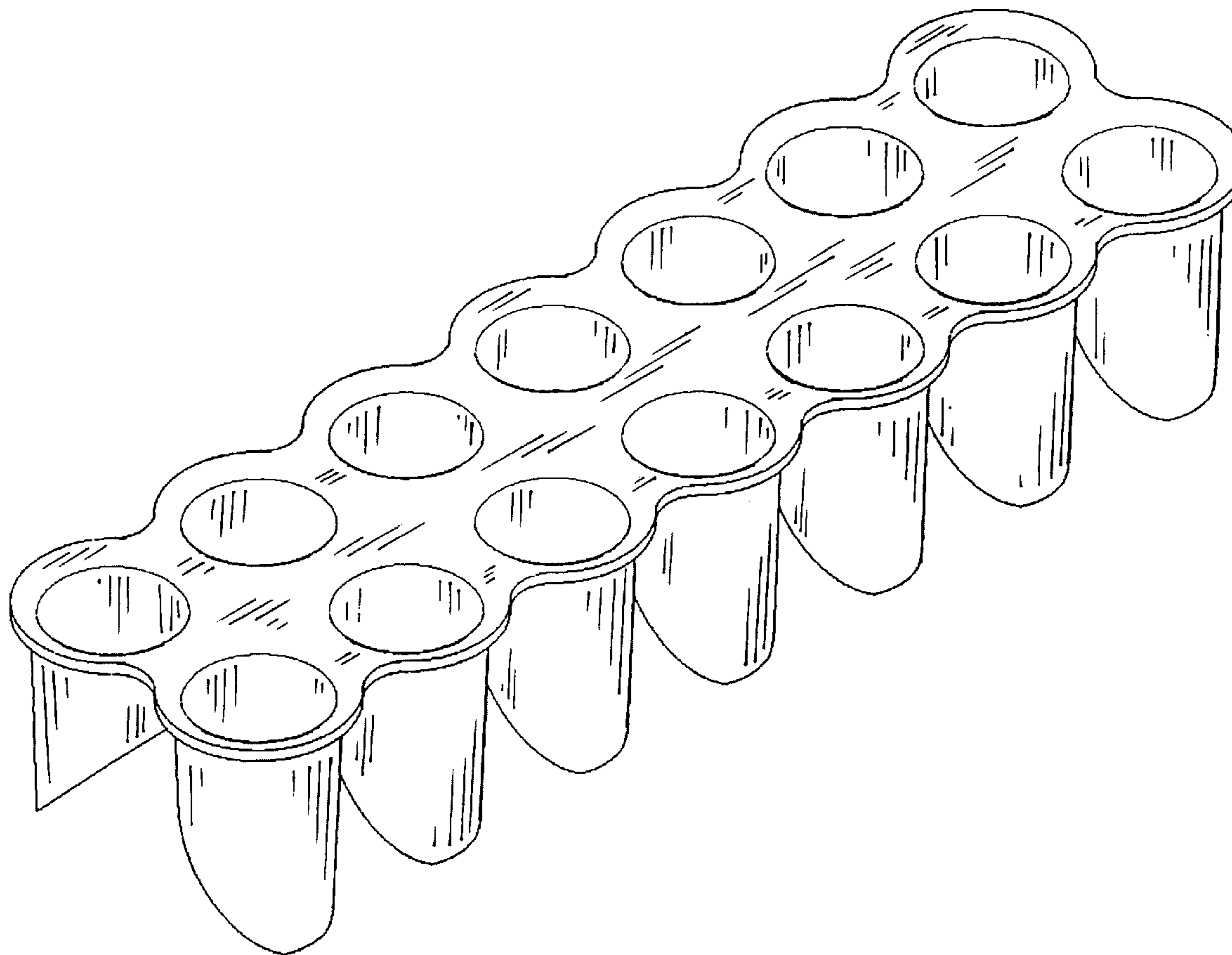
FIG. 5 is a right side elevational view showing my new design, the left side elevational view being a mirror image thereof.

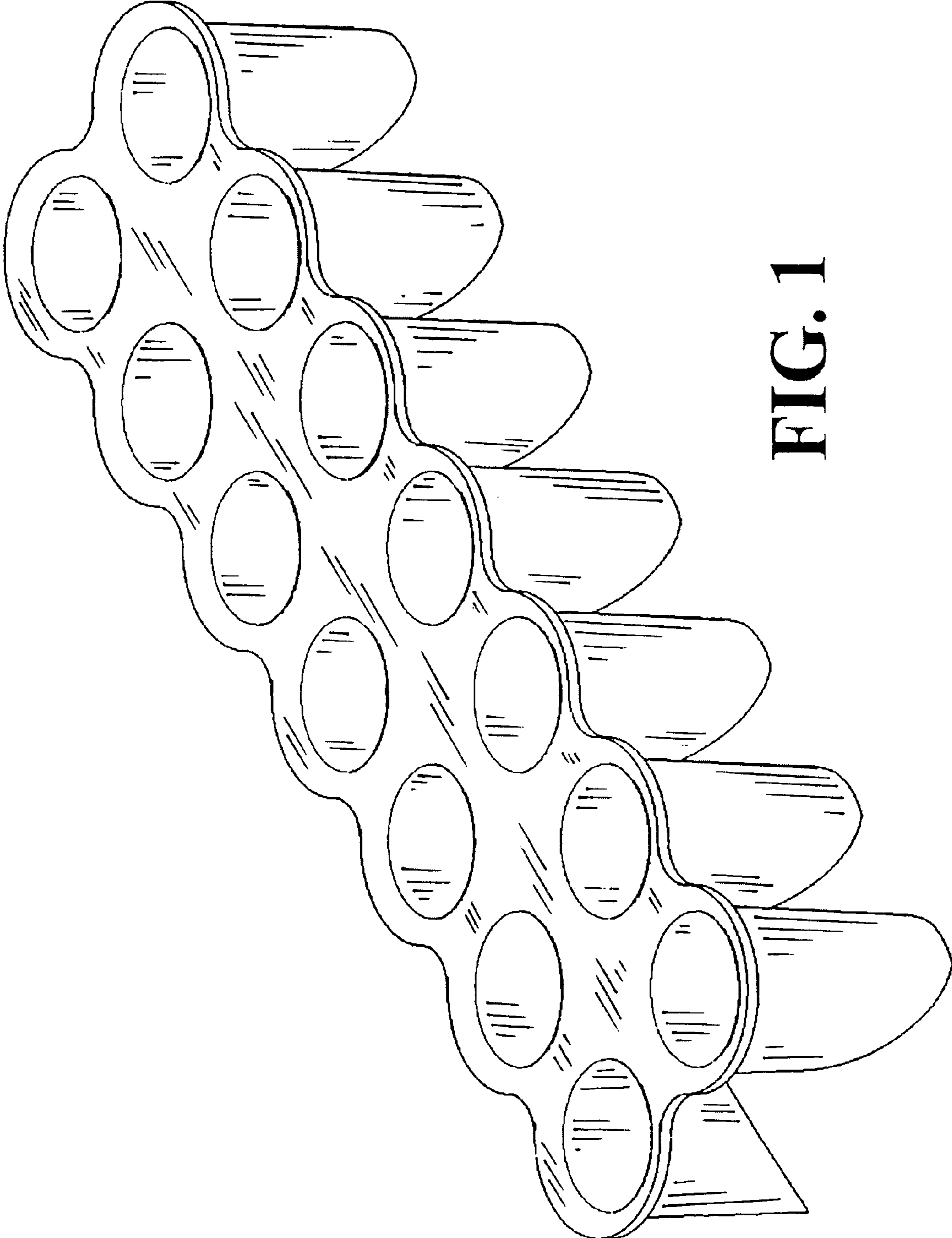
(56) **References Cited**

**U.S. PATENT DOCUMENTS**

D285,722 S *	9/1986	Olson .....	D24/226
5,335,814 A *	8/1994	Hepp .....	220/509
D357,886 S *	5/1995	Fuller .....	D11/152
5,544,764 A *	8/1996	Cima .....	211/60.1
D402,411 S *	12/1998	Radler .....	D28/61
D414,271 S *	9/1999	Mendoza .....	D24/224
D417,784 S *	12/1999	Umiker .....	D3/311
D461,554 S *	8/2002	Lafond et al. ....	D24/230
D533,948 S *	12/2006	Schaub et al. ....	D24/229

**1 Claim, 2 Drawing Sheets**





**FIG. 1**

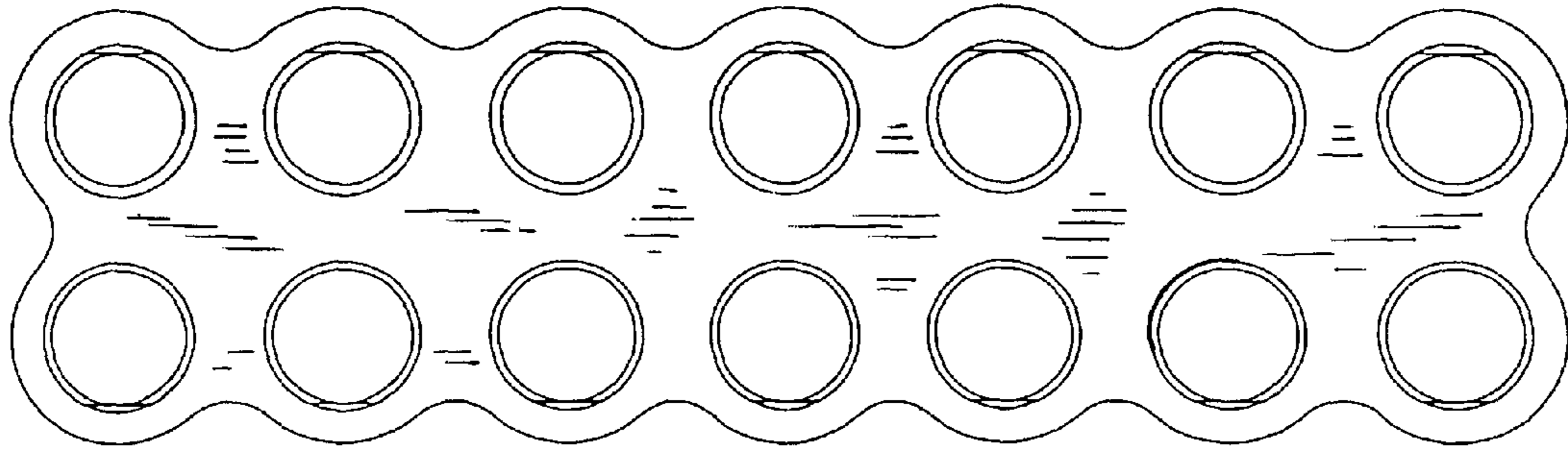


FIG. 2

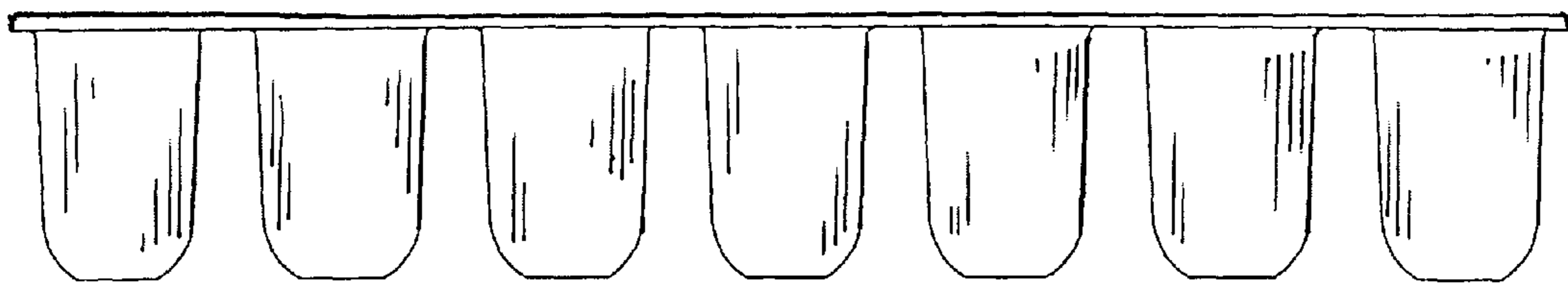


FIG. 3

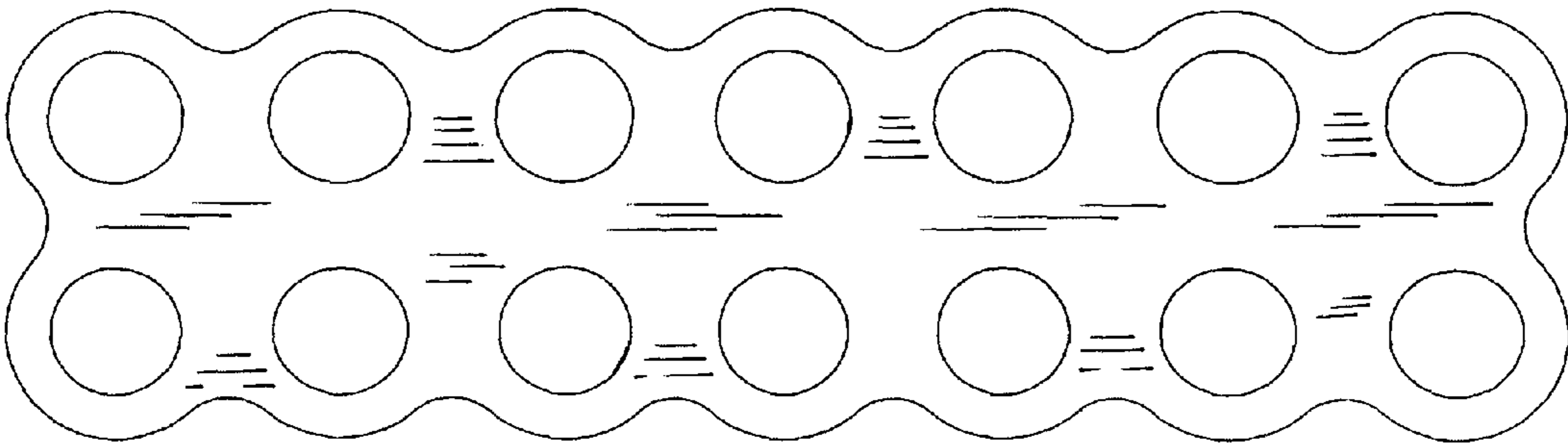


FIG. 4

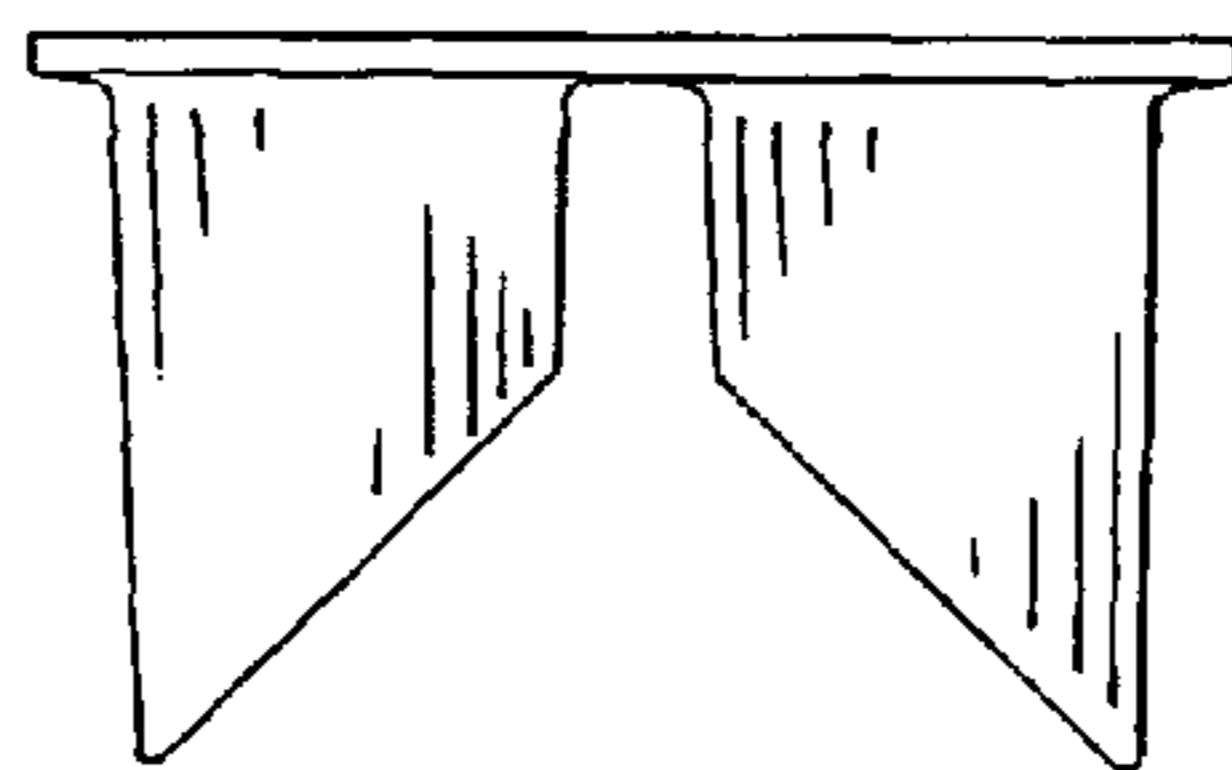


FIG. 5