



US00D653854S

(12) **United States Design Patent**
Chamberlain

(10) **Patent No.:** **US D653,854 S**

(45) **Date of Patent:** **** Feb. 14, 2012**

(54) **RECIPE BOX**

(76) Inventor: **Joan Chamberlain**, Dallas, TX (US)

(**) Term: **14 Years**

(21) Appl. No.: **29/379,139**

(22) Filed: **Nov. 15, 2010**

(51) **LOC (9) Cl.** **03-01**

(52) **U.S. Cl.** **D3/294**

(58) **Field of Classification Search** D3/201,
D3/303, 294–295, 272, 290; 206/8, 457,
206/373, 503–507, 509

See application file for complete search history.

(56) **References Cited**

U.S. PATENT DOCUMENTS

| | | | | |
|-----------|-----|---------|--------------------|--------|
| 2,325,273 | A | 12/1942 | Pung | |
| 2,902,785 | A | 9/1959 | Nichols | |
| 4,420,270 | A | 12/1983 | Rossello | |
| 4,630,769 | A | 12/1986 | Ball | |
| D328,985 | S | 9/1992 | Sheldon | |
| 5,284,445 | A | 2/1994 | Dietterich | |
| 5,324,076 | A | 6/1994 | Nieradka | |
| 5,339,950 | A | 8/1994 | Li | |
| D380,610 | S | 7/1997 | Corrales | |
| D381,197 | S | 7/1997 | Green | |
| 5,653,333 | A | 8/1997 | Webster | |
| D388,263 | S | 12/1997 | Amerault | |
| D398,650 | S | 9/1998 | Shamoon | |
| 6,010,158 | A | 1/2000 | Croteau | |
| 6,164,976 | A | 12/2000 | Wilson | |
| D437,709 | S | 2/2001 | Edstrom | |
| D439,742 | S * | 4/2001 | Fujino et al. | D3/290 |
| 6,217,075 | B1 | 4/2001 | Tsai | |
| D443,999 | S | 6/2001 | Cable | |
| D444,178 | S | 6/2001 | Citron | |

| | | | | |
|--------------|-----|---------|--------------------|--------|
| D475,748 | S | 6/2003 | Shamoon | |
| 6,637,774 | B2 | 10/2003 | Gaska | |
| 6,846,090 | B1 | 1/2005 | Smith | |
| D525,024 | S * | 7/2006 | Fridie et al. | D3/201 |
| 7,090,074 | B2 | 8/2006 | Isaacs | |
| D533,596 | S | 12/2006 | Braddock | |
| D576,403 | S * | 9/2008 | Leslie et al. | D3/201 |
| D581,150 | S | 11/2008 | Chamberlain | |
| D588,354 | S | 3/2009 | Chamberlain | |
| 2005/0274852 | A1 | 12/2005 | Saez | |

* cited by examiner

Primary Examiner — Holly Baynham

(74) *Attorney, Agent, or Firm* — James R. Gourley; Colin P. Cahoon; Carstens & Cahoon, LLP

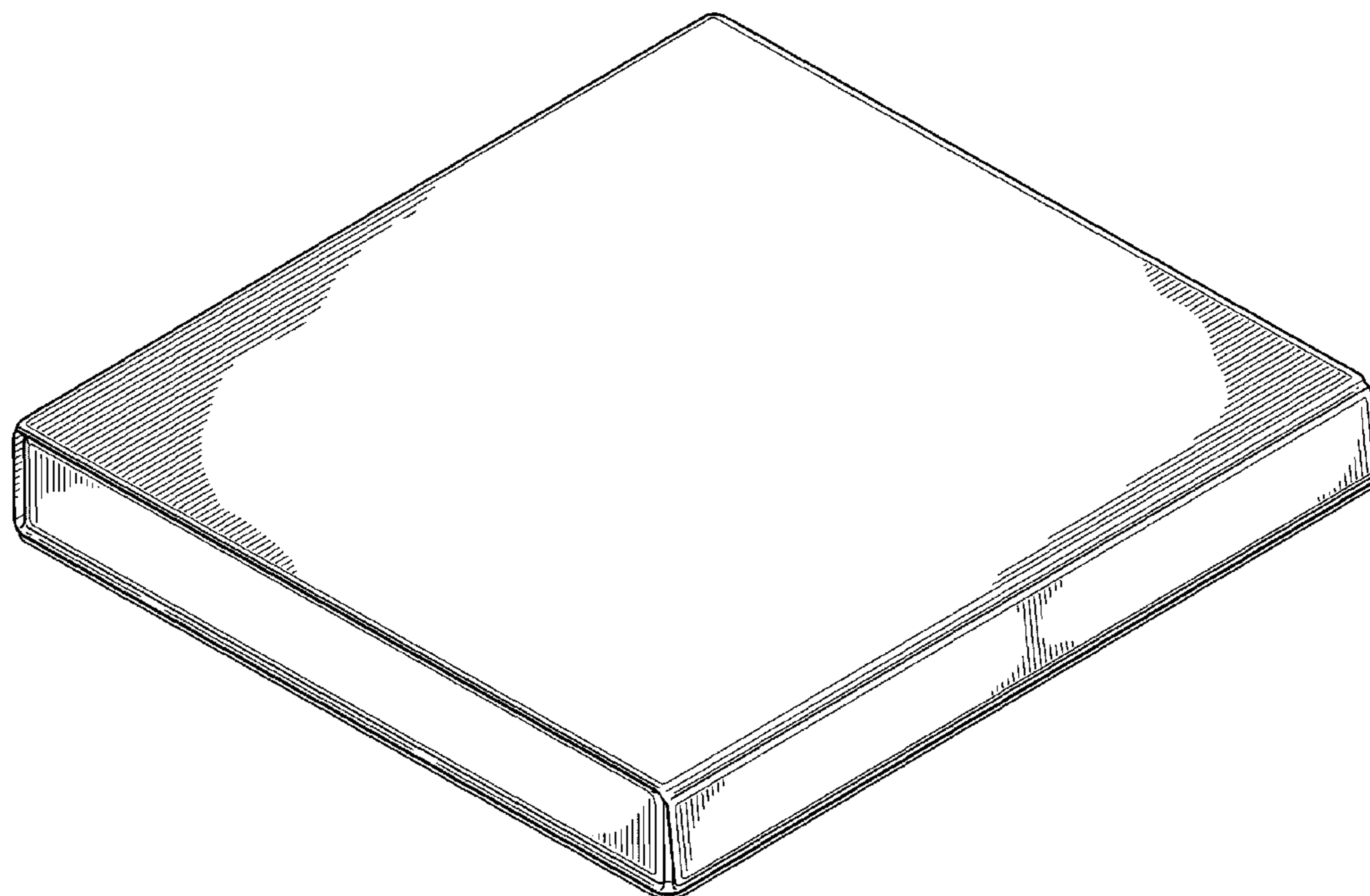
(57) **CLAIM**

The ornamental design for a recipe box, as shown and described.

DESCRIPTION

FIG. 1 is a perspective view of the recipe box of the present invention;
 FIG. 2 is a top elevation view of the recipe box of the present invention;
 FIG. 3 is a left side view of the recipe box of the present invention;
 FIG. 4 is a right side view of the recipe box of the present invention;
 FIG. 5 is a back elevation view of the recipe box of the present invention; and,
 FIG. 6 is a perspective view of the recipe box of the present invention, with the box top opened.

1 Claim, 5 Drawing Sheets



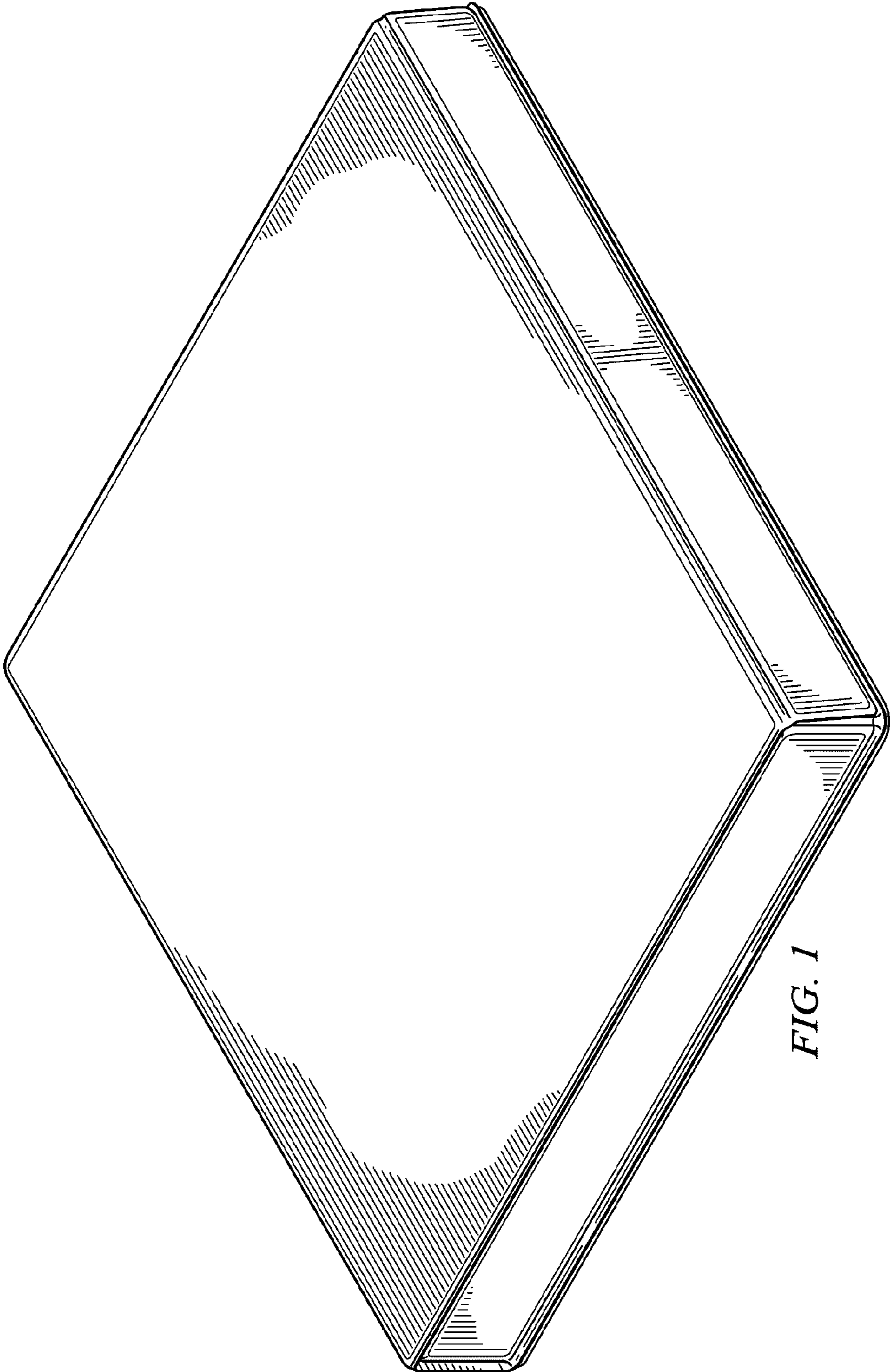


FIG. 1

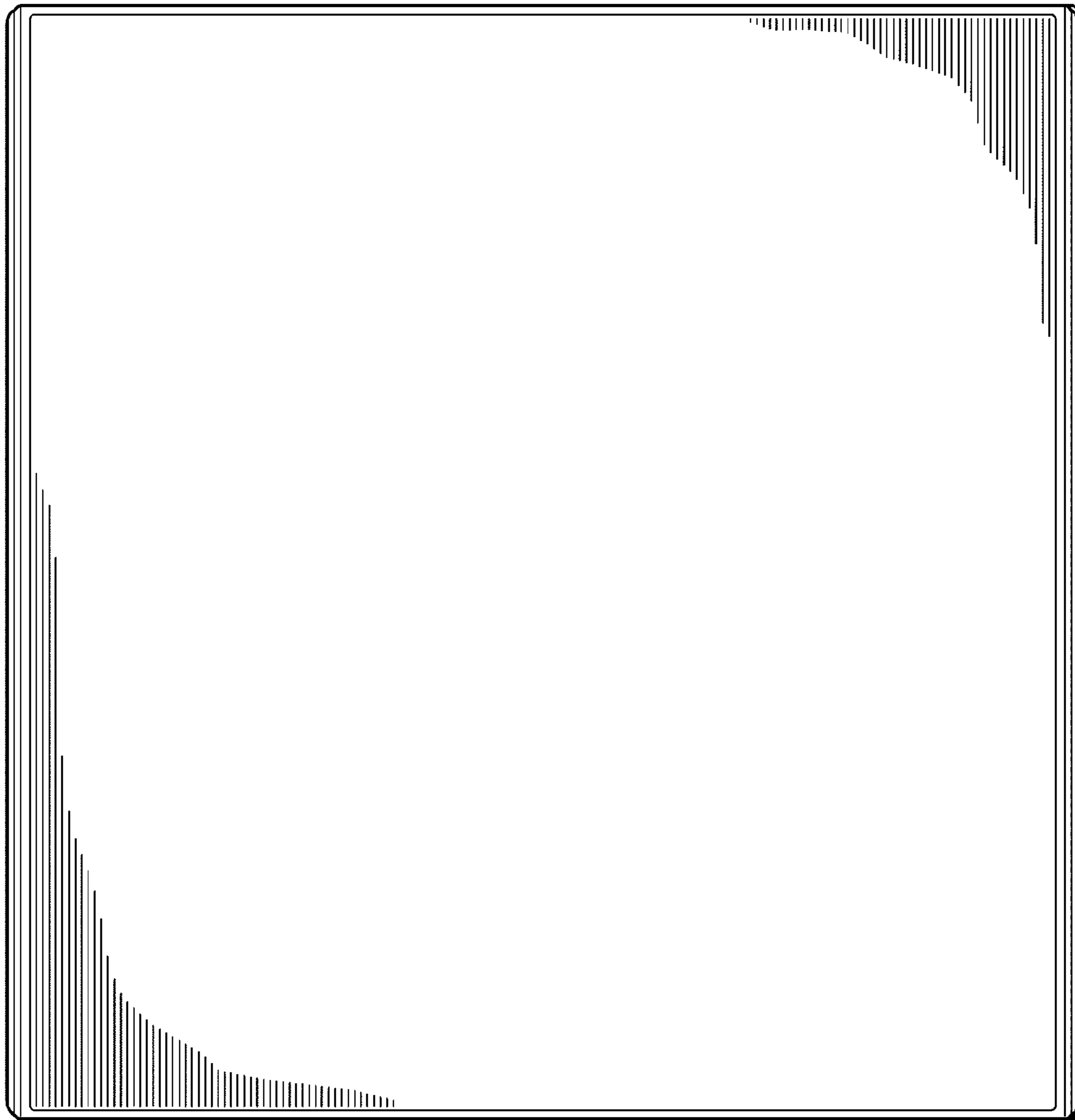


FIG. 2

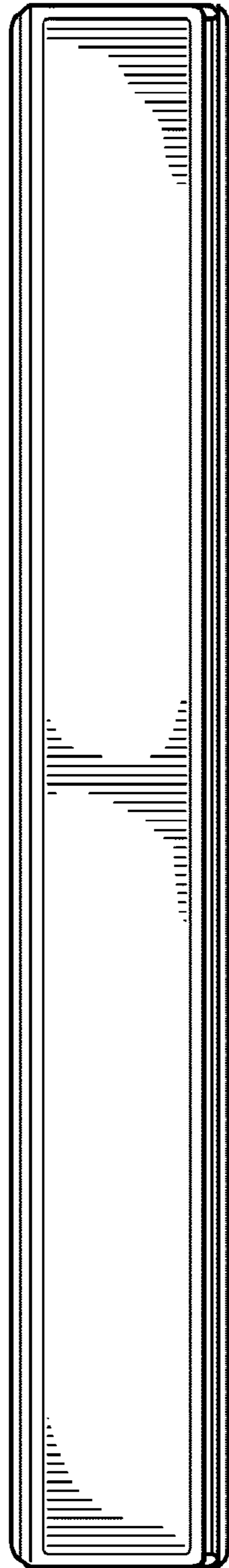


FIG. 3

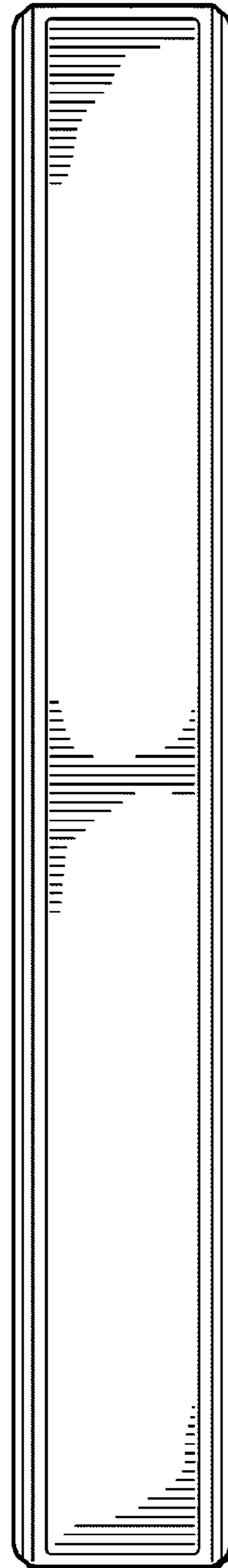


FIG. 4



FIG. 5

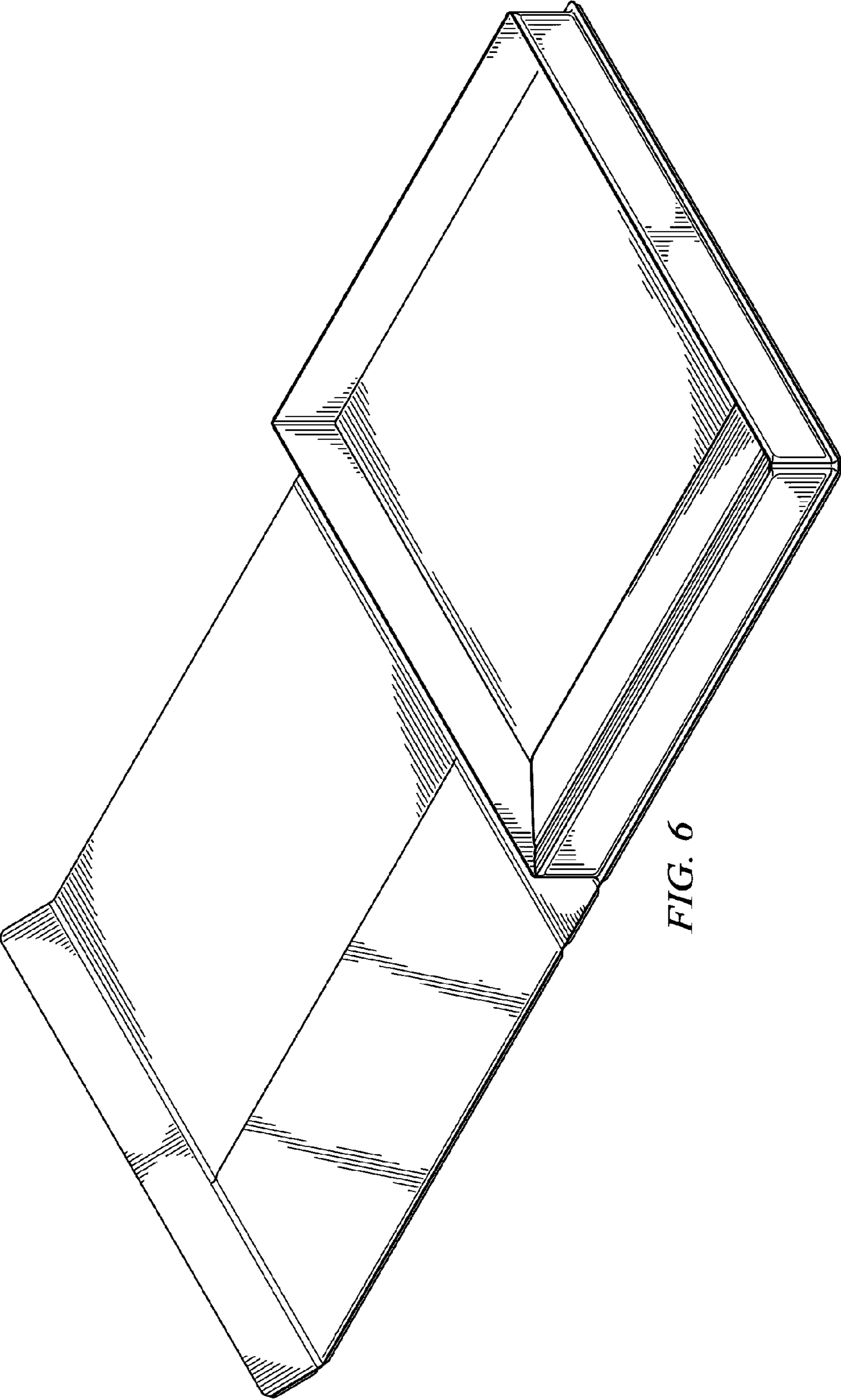


FIG. 6