



US00D653842S

(12) **United States Design Patent**  
**Weiss**

(10) **Patent No.:** **US D653,842 S**

(45) **Date of Patent:** **\*\* Feb. 14, 2012**

(54) **PORTION OF A SHOE**

(75) Inventor: **Howard K. Weiss**, New York, NY (US)

(73) Assignee: **Deer Stags Concepts Inc.**, New York, NY (US)

(\*\*) Term: **14 Years**

(21) Appl. No.: **29/362,757**

(22) Filed: **May 28, 2010**

(51) **LOC (9) Cl.** ..... **02-99**

(52) **U.S. Cl.** ..... **D2/946; D2/977**

(58) **Field of Classification Search** ..... D2/896,  
D2/902, 906, 908, 943, 944, 946, 947, 964,  
D2/977; 36/25 R-25 A, 103

See application file for complete search history.

(56) **References Cited**

U.S. PATENT DOCUMENTS

3,748,951	A	7/1973	Orndorff, Jr.	
D251,158	S	2/1979	Edmonds	
D256,065	S	7/1980	Senter	
D260,570	S	9/1981	Wong	
4,449,307	A	5/1984	Stubblefield	
4,559,723	A	12/1985	Hamy et al.	
D301,659	S	6/1989	Le	
D303,730	S	10/1989	Autry et al.	
5,367,792	A	11/1994	Richard et al.	
D379,861	S *	6/1997	Wunsch	D2/947
D412,236	S *	7/1999	von Conta	D2/946
D424,284	S *	5/2000	von Conta et al.	D2/947
D428,688	S	8/2000	Egelja et al.	
D432,292	S	10/2000	Kim	
D458,742	S *	6/2002	Crary et al.	D2/977

D466,278	S *	12/2002	Smith, III	D2/977
D511,617	S *	11/2005	Matis	D2/977
D555,891	S *	11/2007	Bettencourt	D2/977
D559,508	S *	1/2008	Cintron	D2/977
2009/0090027	A1	4/2009	Baudouin	

OTHER PUBLICATIONS

U.S. Appl. No. 29/342,330 filed Aug. 21, 2009, titled "Portion of a Shoe."

"Mark's VO2" downloaded Jul. 12, 2010, <http://marksvo2.wordpress.com/2009/06/24/light-weight-trainers/>.

"Kicksaholic" downloaded Jul. 12, 2010, <http://www.kicksaholic.com/nike-lunar-trainer/>.

\* cited by examiner

*Primary Examiner* — Dominic Simone

(74) *Attorney, Agent, or Firm* — Sterne, Kessler, Goldstein & Fox P.L.L.C.

(57) **CLAIM**

The ornamental design for a portion of a shoe, as shown and described.

**DESCRIPTION**

FIG. 1 is a front view of a portion of a shoe showing my new design;

FIG. 2 is a rear view thereof;

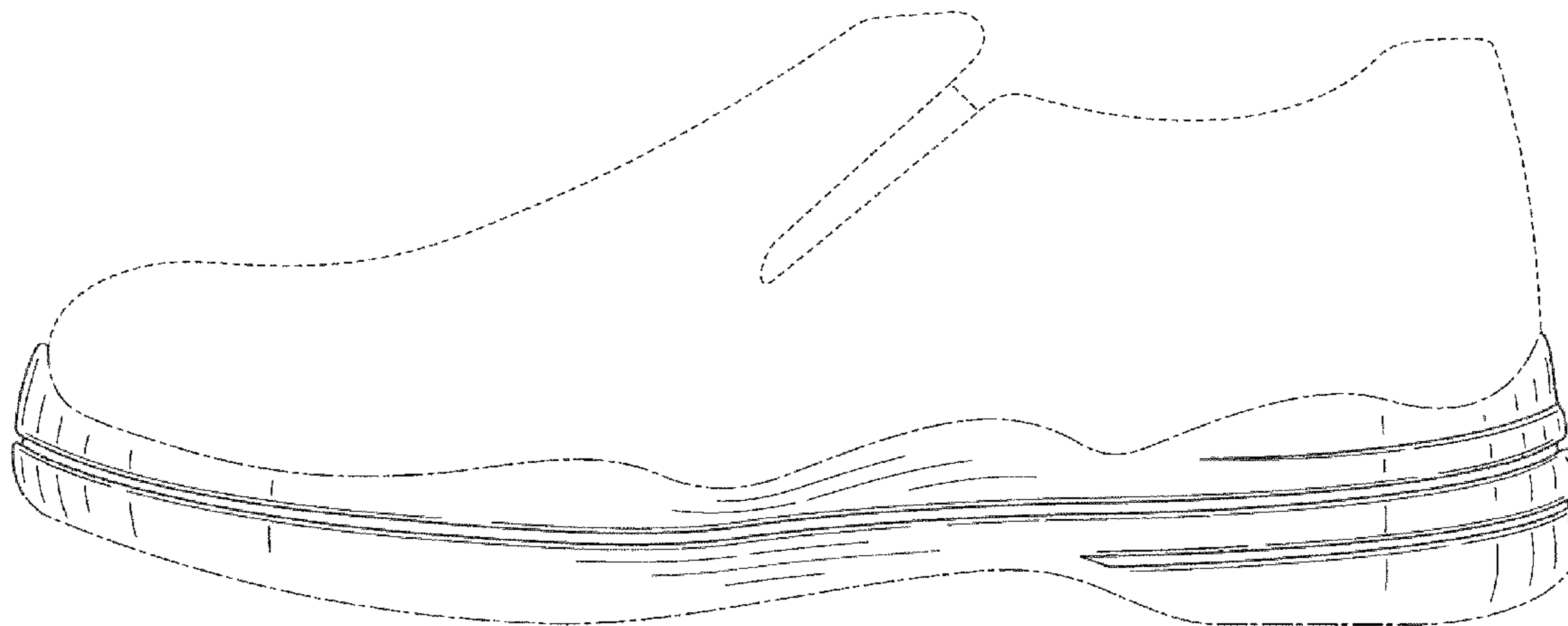
FIG. 3 is a right side view thereof; and,

FIG. 4 is a left side view thereof.

The shade lines in the Figures show contour and not surface ornamentation.

The broken lines in the Figures show portions of the shoe which form no part of the claimed design.

**1 Claim, 3 Drawing Sheets**



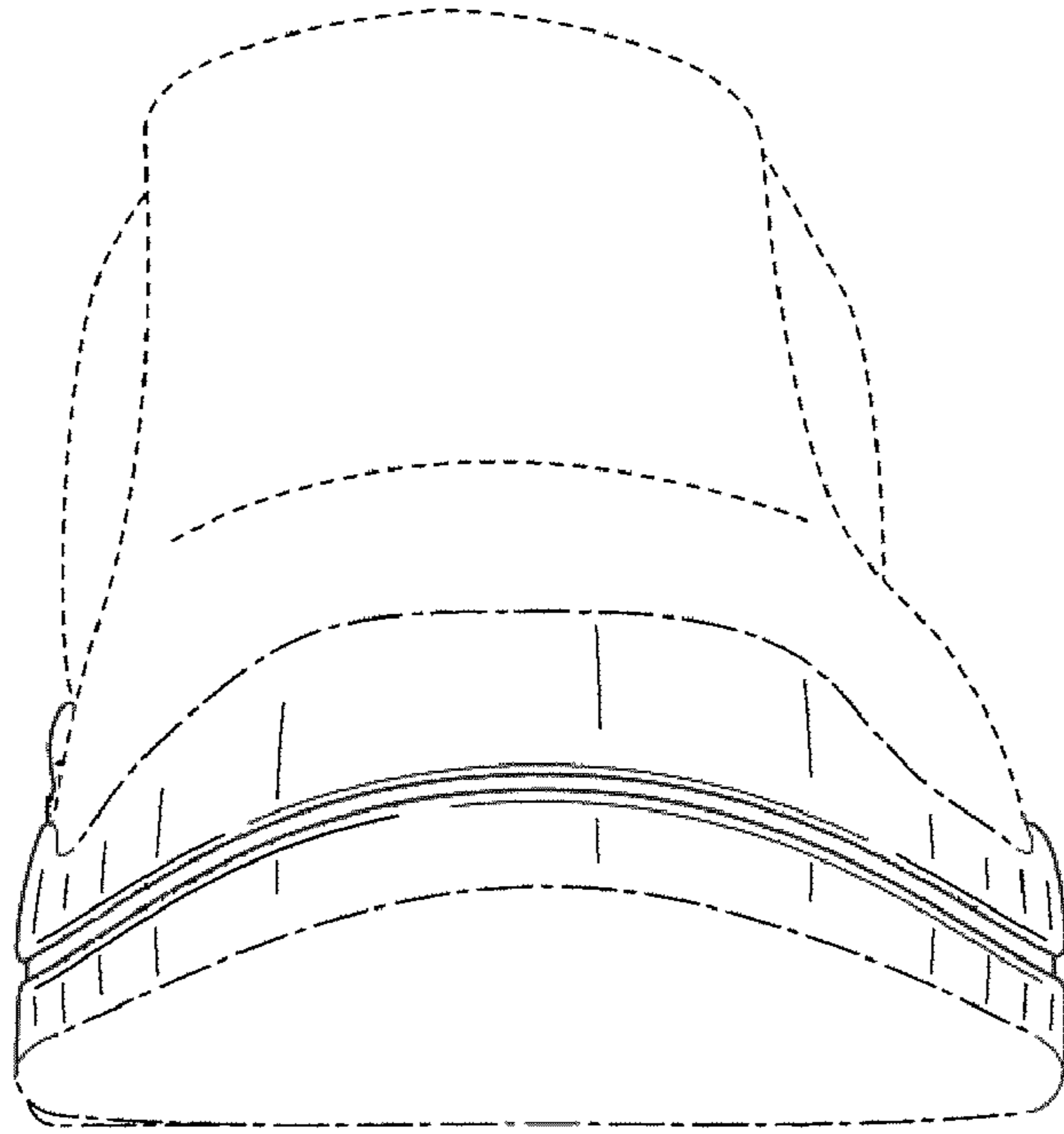


FIG. 1

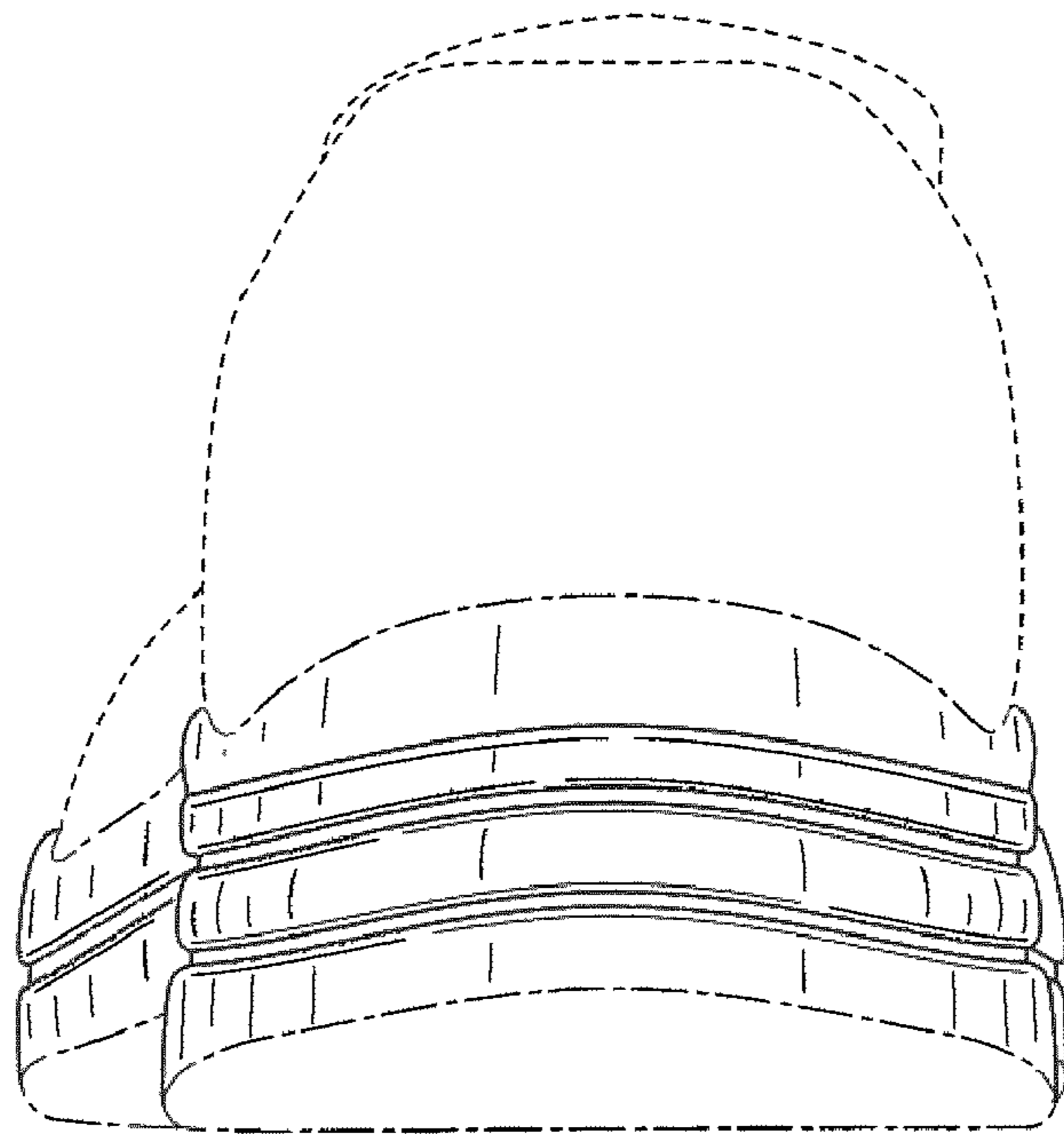


FIG. 2

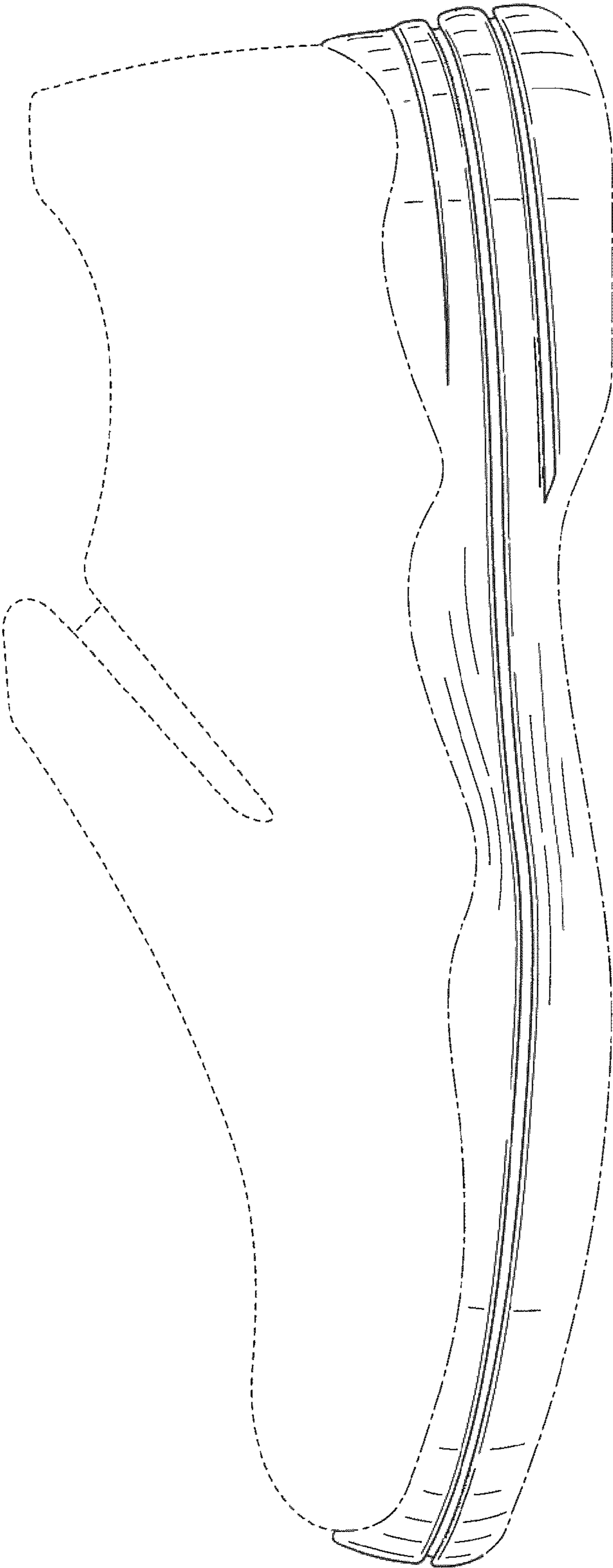


FIG. 3

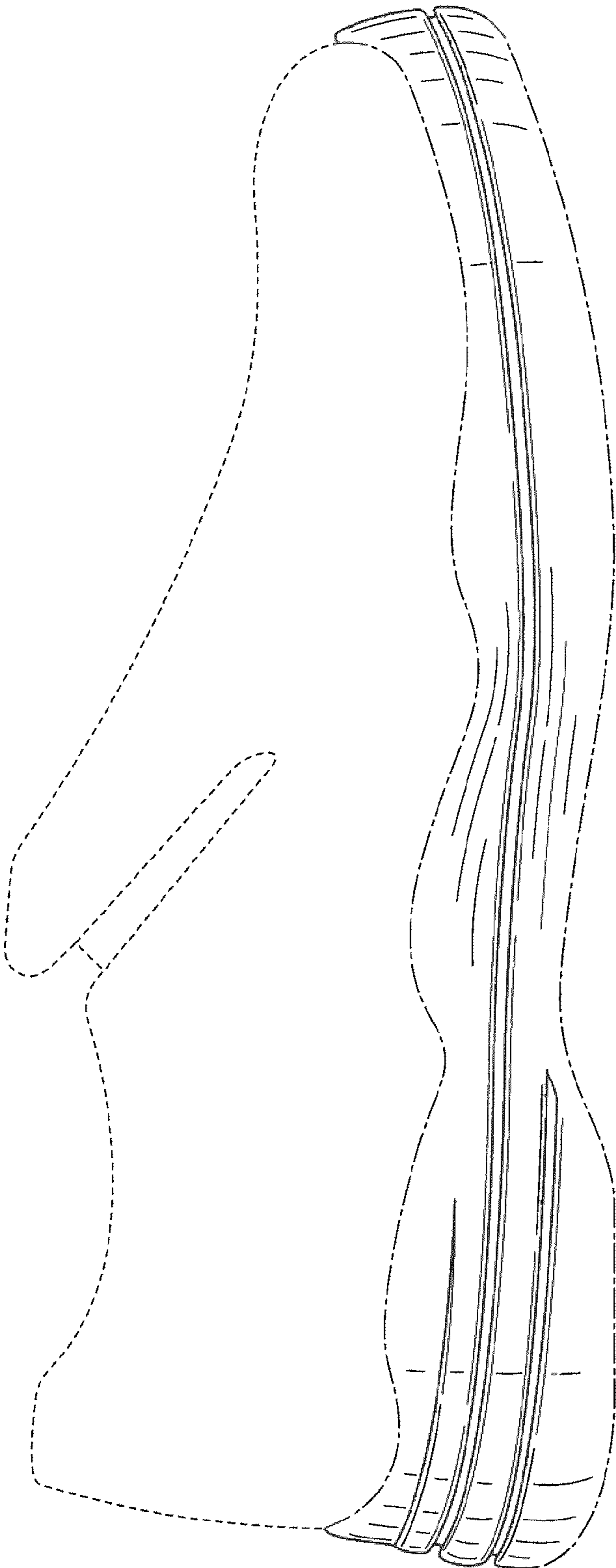


FIG. 4