



US00D653835S

(12) **United States Design Patent**
Strempack et al.

(10) **Patent No.:** **US D653,835 S**
(45) **Date of Patent:** **** Feb. 7, 2012**

(54) **DIGITAL DISPLAY FOR AUTOMATIC TELLER MACHINE**

(75) Inventors: **Guy Thomas Strempack**, Fort Lauderdale, FL (US); **Dragoljub Mihajlov**, Fort Lauderdale, FL (US)

(73) Assignee: **First American Advertising Corporation**, Fort Lauderdale, FL (US)

(**) Term: **14 Years**

(21) Appl. No.: **29/376,962**

(22) Filed: **Oct. 14, 2010**

(51) **LOC (9) Cl.** **99-00**

(52) **U.S. Cl.** **D99/43; D14/307; D14/901**

(58) **Field of Classification Search** D99/28, D99/34, 35, 36, 43, 99; D18/3.1, 12, 12.1, D18/12.3, 46, 47; D14/307, 901, 902; 109/24.1, 109/2, 50, 58, 66; 902/8, 9, 22, 30

See application file for complete search history.

(56) **References Cited**

U.S. PATENT DOCUMENTS

D292,423	S	*	10/1987	Williams et al.	D21/333
D347,930	S	*	6/1994	Hunter	D99/35
D415,330	S	*	10/1999	King	D99/28
D425,875	S	*	5/2000	Wilson	D14/307
D430,379	S	*	8/2000	Massey	D99/28
D481,516	S	*	10/2003	Magee et al.	D99/28
D481,517	S	*	10/2003	Magee et al.	D99/28
D481,518	S	*	10/2003	Magee et al.	D99/28
D494,176	S	*	8/2004	Porter et al.	D14/388
D525,282	S	*	7/2006	Barnes et al.	D18/4.5
D526,002	S	*	8/2006	Nakajima et al.	D18/4.5
D527,760	S	*	9/2006	Ono	D18/4.5
D528,585	S	*	9/2006	Ono	D18/4.5
D538,505	S	*	3/2007	Kang et al.	D99/28

7,191,948	B1	*	3/2007	Baitz et al.	235/462.43
D544,028	S	*	6/2007	Hanafusa et al.	D18/4.4
D569,898	S	*	5/2008	Masuda	D18/4.5
D585,943	S	*	2/2009	Pymm et al.	D20/10
D587,296	S	*	2/2009	Kuramochi	D18/4.5
D588,186	S	*	3/2009	Yamakawa	D18/4.5
D597,138	S	*	7/2009	Herndon et al.	D20/2
D611,224	S	*	3/2010	Stoddard	D99/28
D614,687	S	*	4/2010	Ono	D18/4.5
D615,120	S	*	5/2010	Ono	D18/4.5
D620,519	S	*	7/2010	Branck et al.	D18/4.4
D625,304	S	*	10/2010	Armstrong	D14/307
D626,353	S	*	11/2010	Magruder	D6/396
D626,544	S	*	11/2010	Bleck et al.	D14/307

* cited by examiner

Primary Examiner — Elizabeth J Oswecki

(74) *Attorney, Agent, or Firm* — Ming Chow; Sinorica, LLC

(57) **CLAIM**

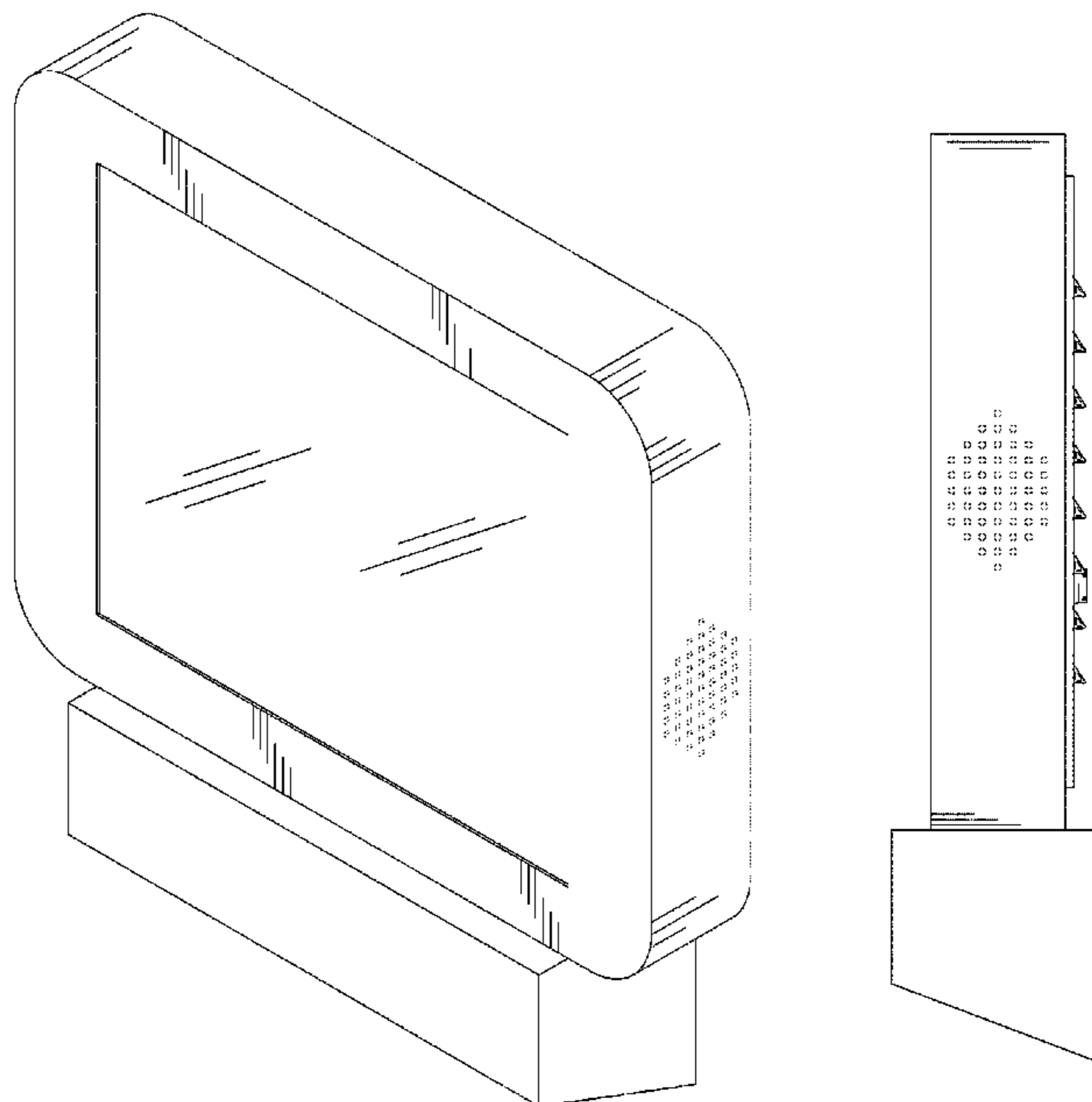
The ornamental design for a digital display for automatic teller machine, as shown and described.

DESCRIPTION

FIG. 1 is a perspective view of a digital display for automatic teller machine showing our new design; FIG. 2 is a front elevational view thereof; FIG. 3 is a rear elevational view thereof; FIG. 4 is a right-side elevational view thereof; FIG. 5 is a left-side elevational view thereof; FIG. 6 is a top plan view thereof; FIG. 7 is a bottom plan view thereof; and, FIG. 8 is a perspective view thereof affixed to the top of an automatic teller machine.

The broken line showing of a digital display for automatic teller machine is for the purpose of illustrating environmental structure and forms no part of the claimed design.

1 Claim, 6 Drawing Sheets



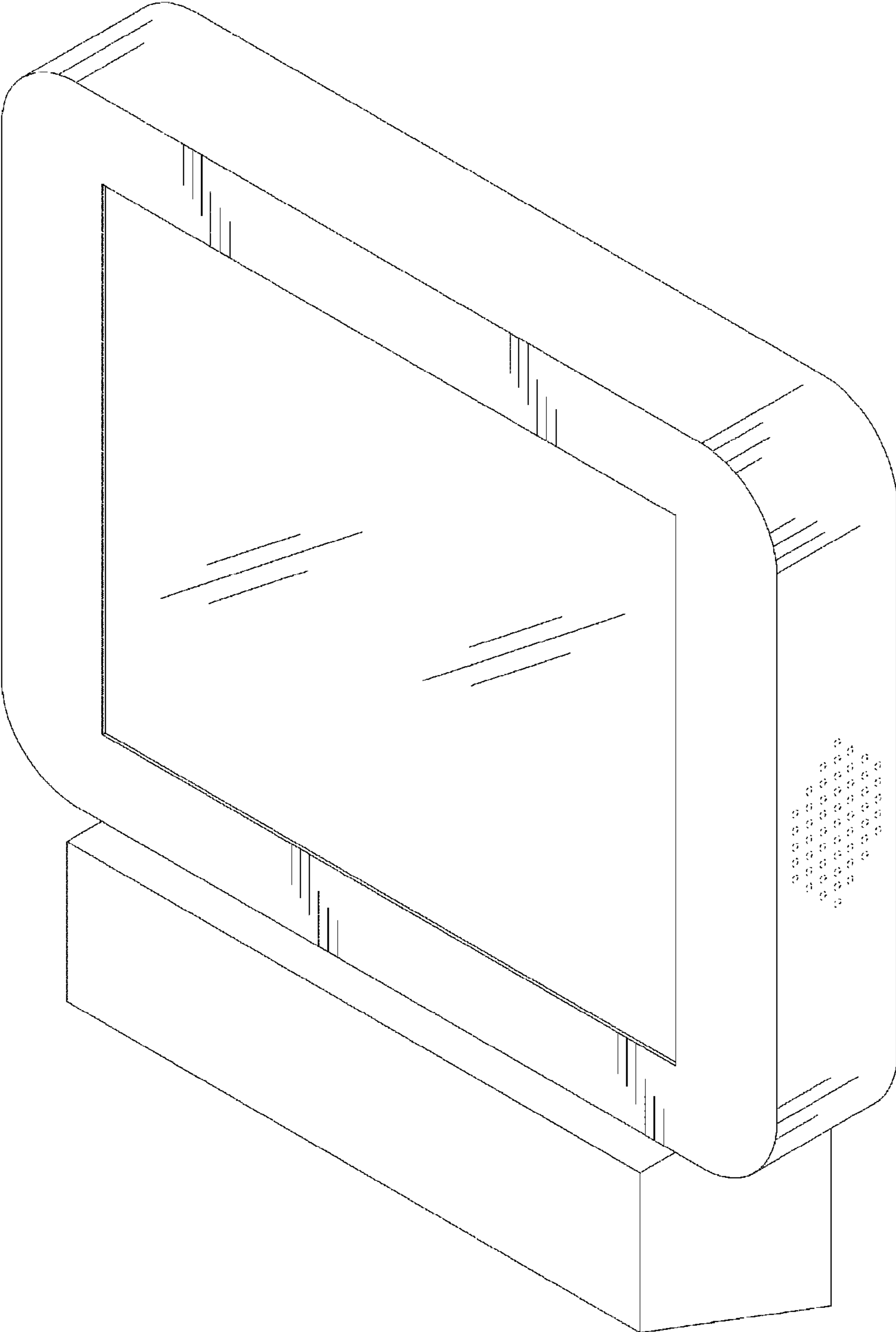


FIG. 1

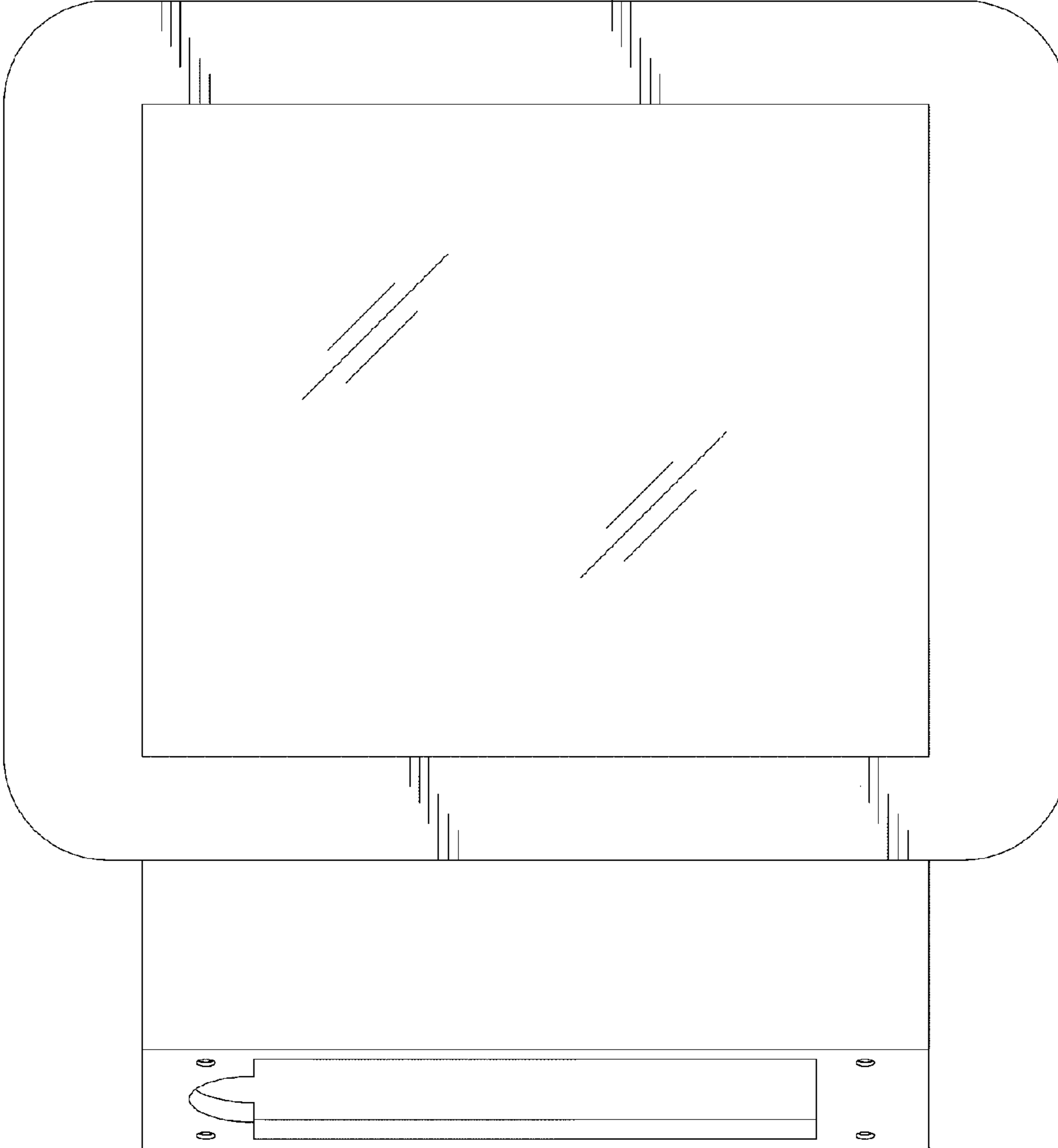


FIG. 2

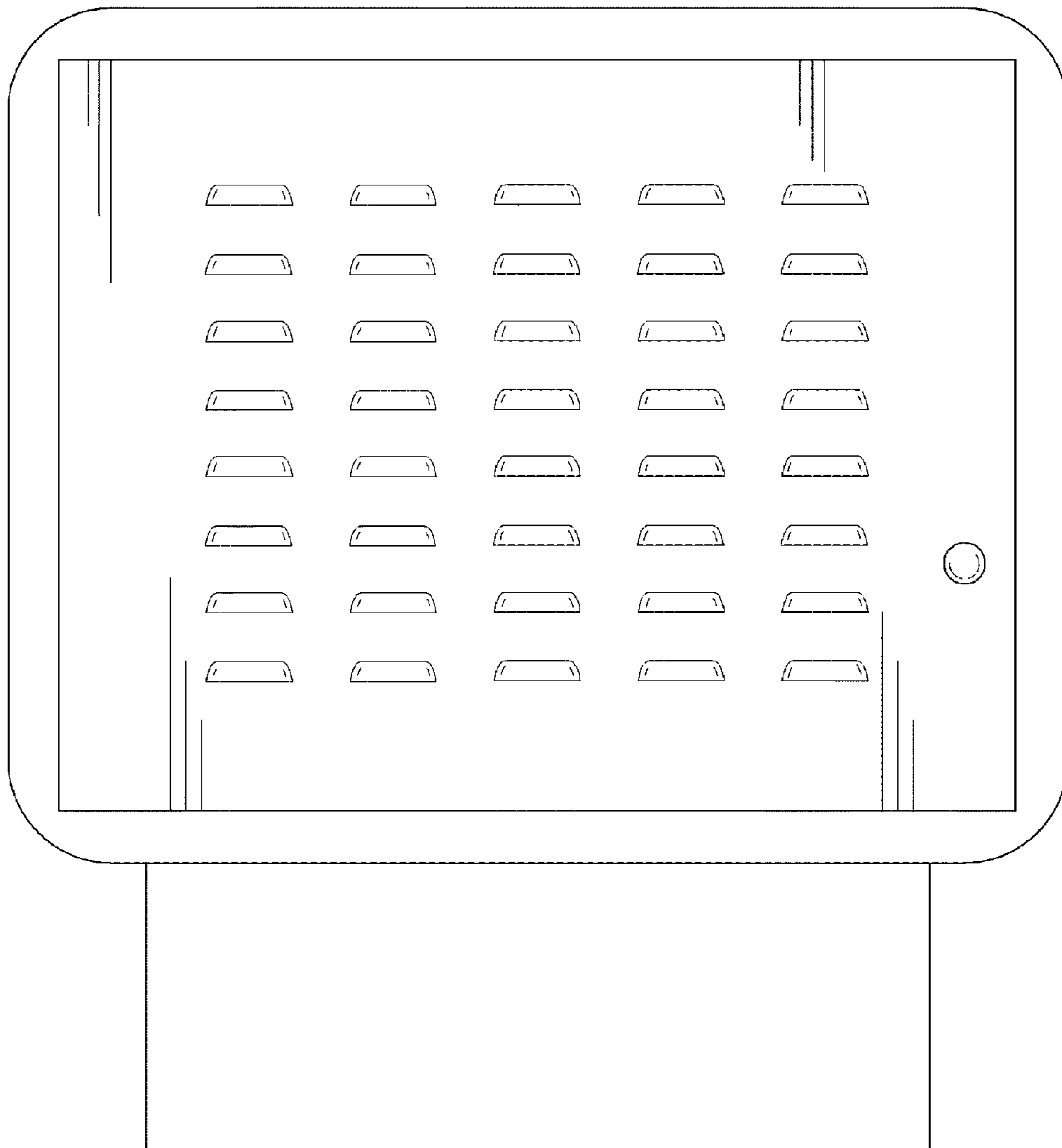


FIG. 3

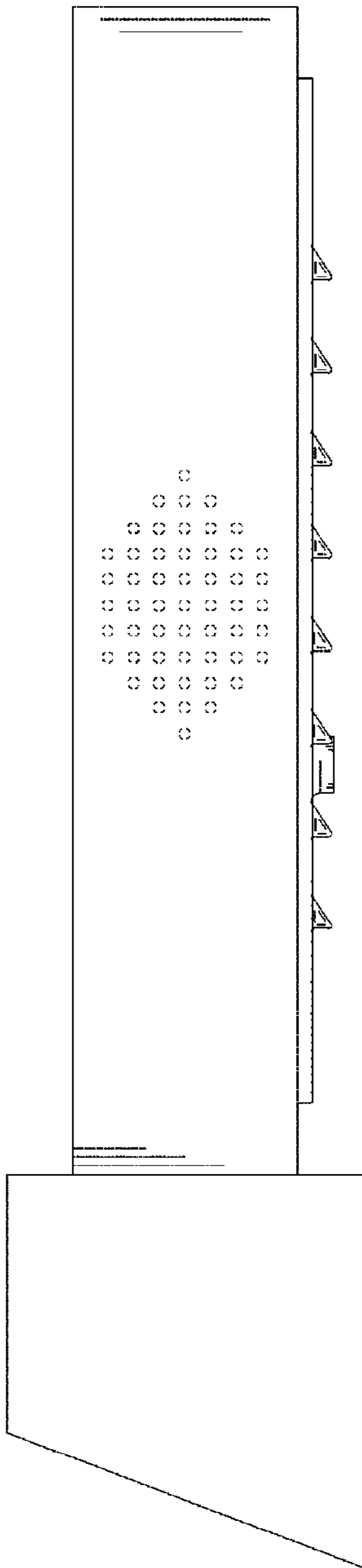


FIG. 4

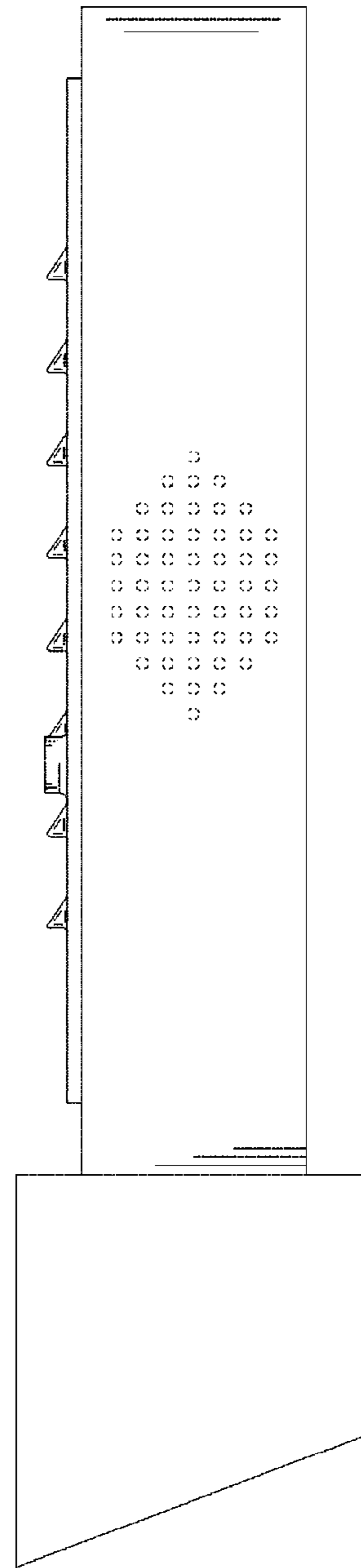


FIG. 5

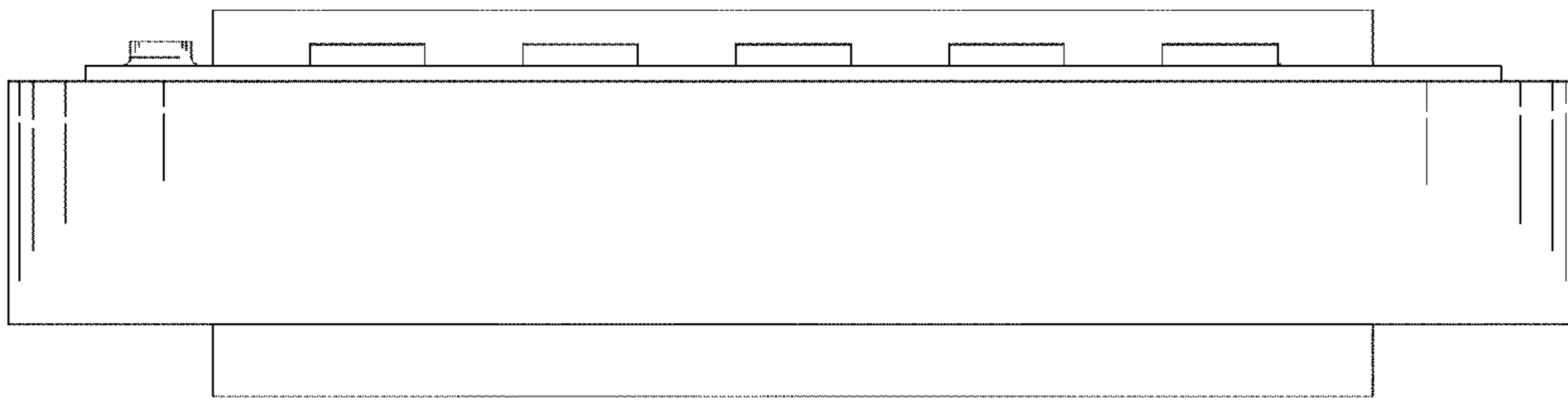


FIG. 6



FIG. 7

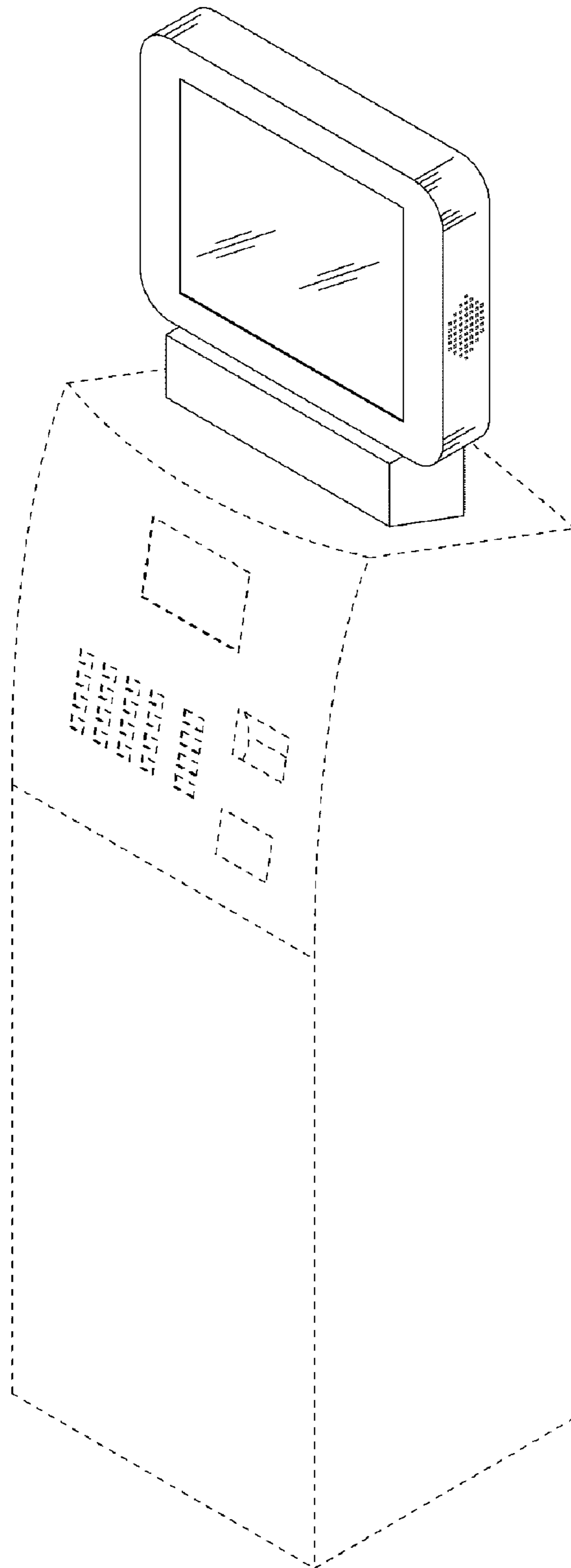


FIG. 8