



US00D653832S

(12) **United States Design Patent**  
**Vilkomirski et al.**

(10) **Patent No.:** **US D653,832 S**

(45) **Date of Patent:** **\*\* Feb. 7, 2012**

(54) **STORAGE SYSTEM**

(75) Inventors: **Gil Vilkomirski**, Ein Vered (IL); **Zvika Fraiman**, Havazelet Hasharon (IL)

(73) Assignee: **The Stanley Works Israel Ltd.**, Rosh Ha' Ayin (IL)

(\*\*) Term: **14 Years**

(21) Appl. No.: **29/388,804**

(22) Filed: **Apr. 1, 2011**

(51) **LOC (9) Cl.** ..... **12-02**

(52) **U.S. Cl.** ..... **D34/25**

(58) **Field of Classification Search** ..... D34/12-27;  
280/47.24, 47.17, 47.19, 47.34, 47.35, 49.3,  
280/79.6; D3/279, 276, 905; 312/108  
See application file for complete search history.

(56) **References Cited**

**U.S. PATENT DOCUMENTS**

6,176,559	B1 *	1/2001	Tiramani et al.	.....	312/108
6,601,930	B2 *	8/2003	Tiramani et al.	.....	312/108
D565,269	S *	3/2008	Tomasiak et al.	.....	D34/14
D630,851	S *	1/2011	Landau et al.	.....	D3/279

2002/0030425	A1 *	3/2002	Tiramani et al.	.....	312/108
2011/0049824	A1 *	3/2011	Bar-Erez et al.	.....	280/47.18
2011/0181008	A1 *	7/2011	Bensman et al.	.....	280/47.26

\* cited by examiner

*Primary Examiner* — Cynthia Ramirez

(74) *Attorney, Agent, or Firm* — Pillsbury Winthrop Shaw Pittman LLP

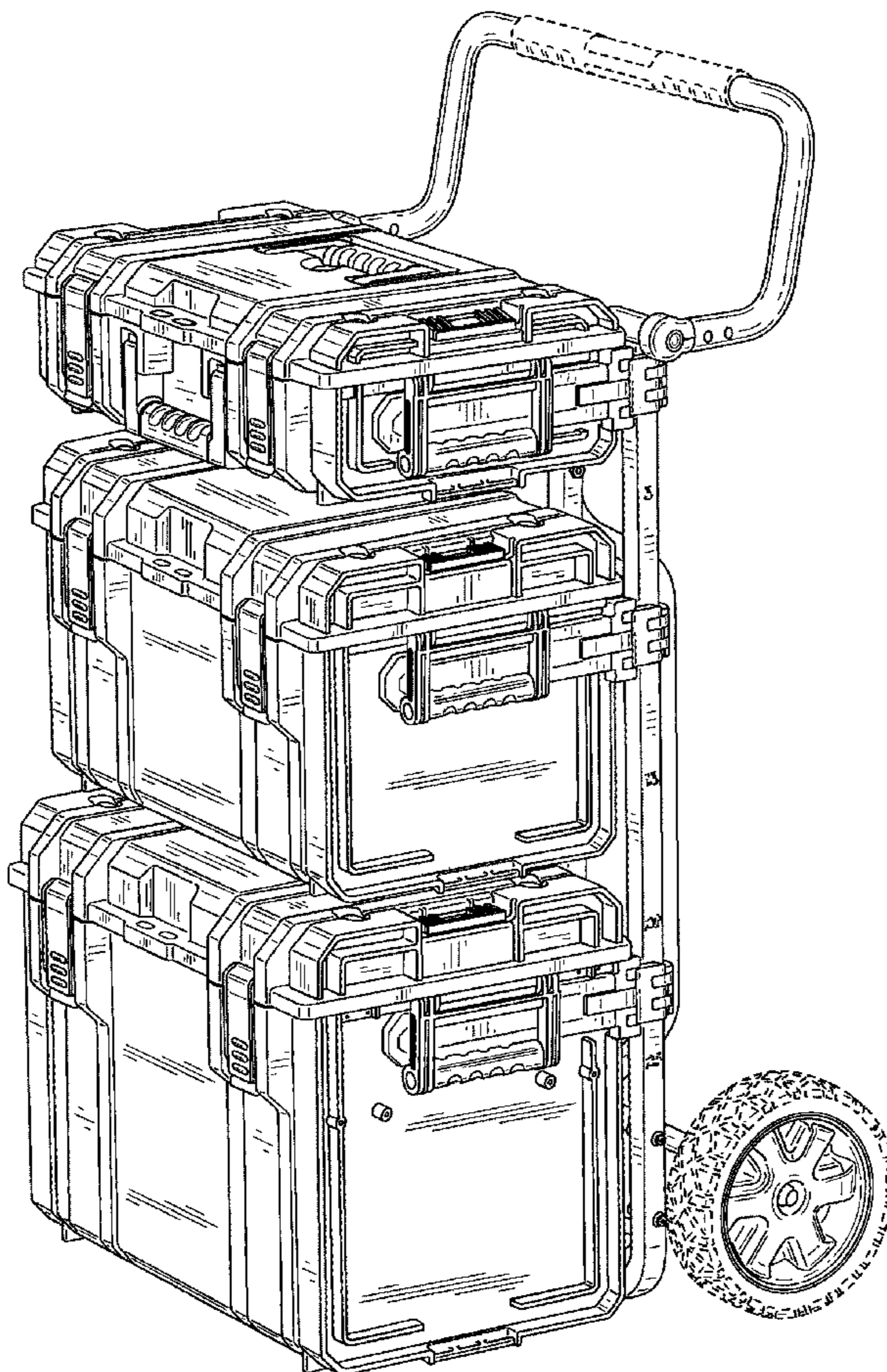
(57) **CLAIM**

The ornamental design for a storage system, as shown and described.

**DESCRIPTION**

FIG. 1 is a side, front isometric view of a storage system according to our design;  
FIG. 2 is a front elevational view of the design in FIG. 1;  
FIG. 3 is a rear elevational view of the design in FIG. 1;  
FIG. 4 is a left side elevational view of the design in FIG. 1;  
FIG. 5 is a right side elevational view of the design in FIG. 1;  
FIG. 6 is a top plan view of the design of FIG. 1; and,  
FIG. 7 is a bottom plan view of the design of FIG. 1.  
Where included, broken lines showing environment or structure are for illustrative purposes only and form no part of the claimed design.

**1 Claim, 7 Drawing Sheets**



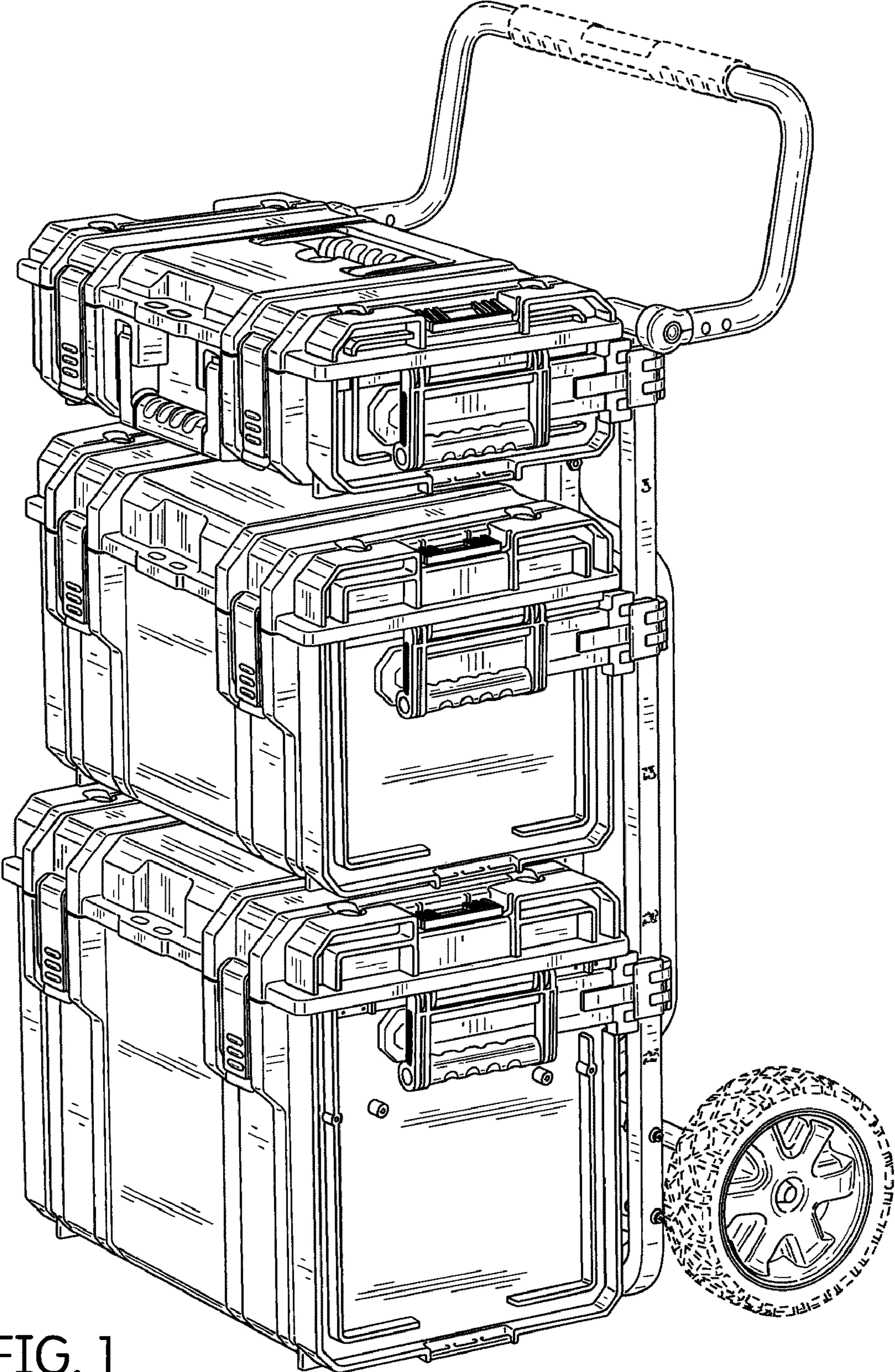


FIG. 1

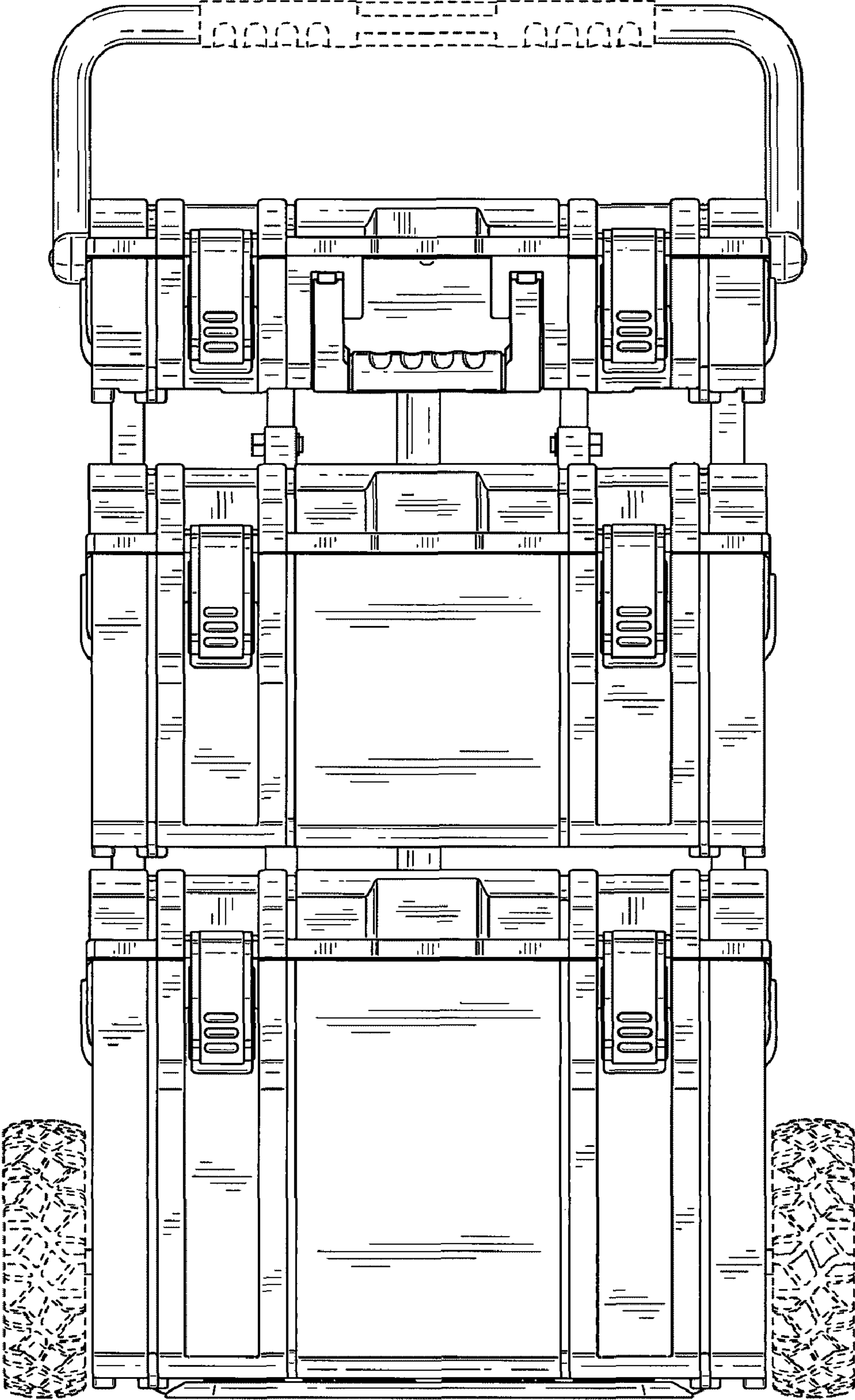


FIG. 2

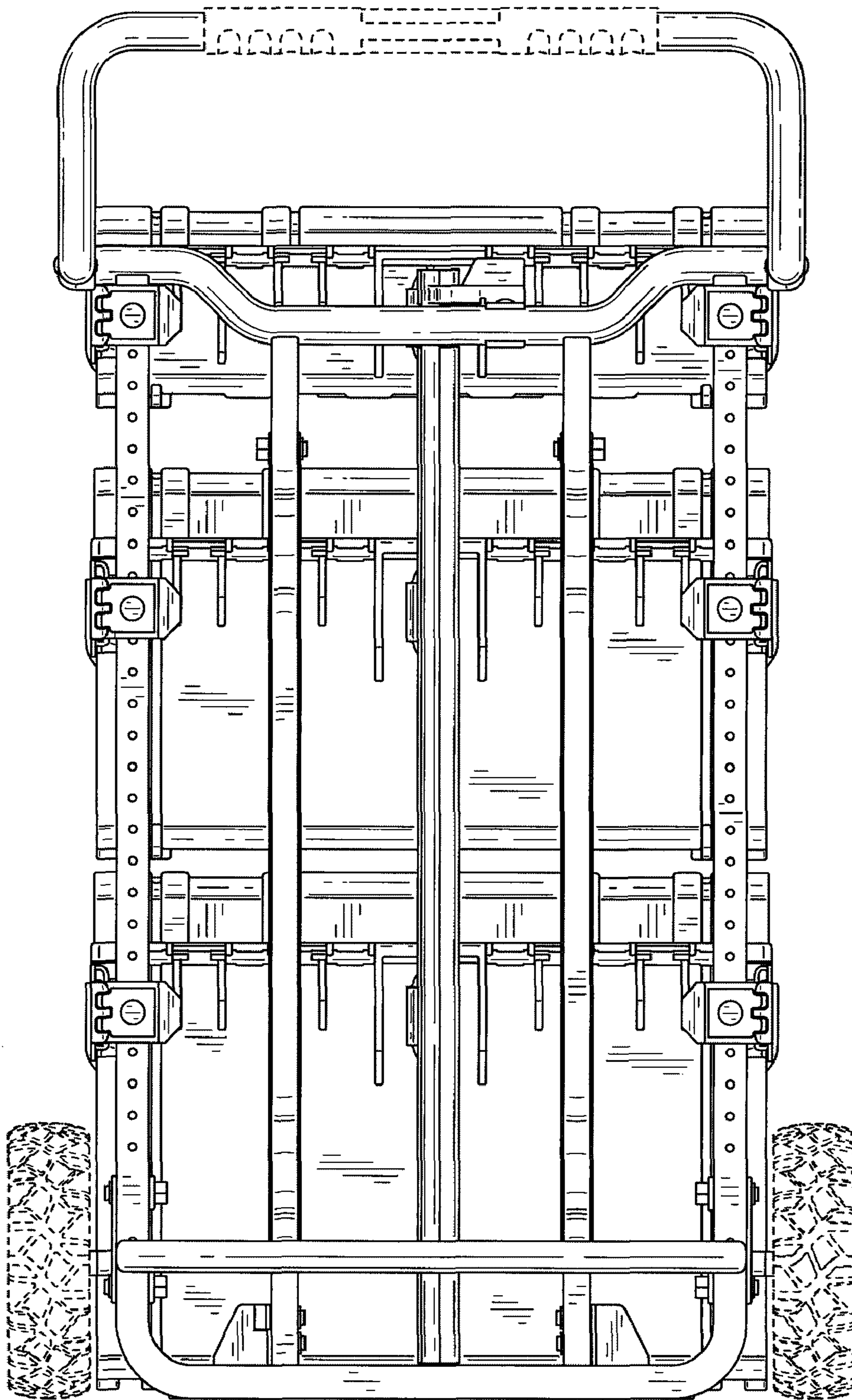


FIG. 3

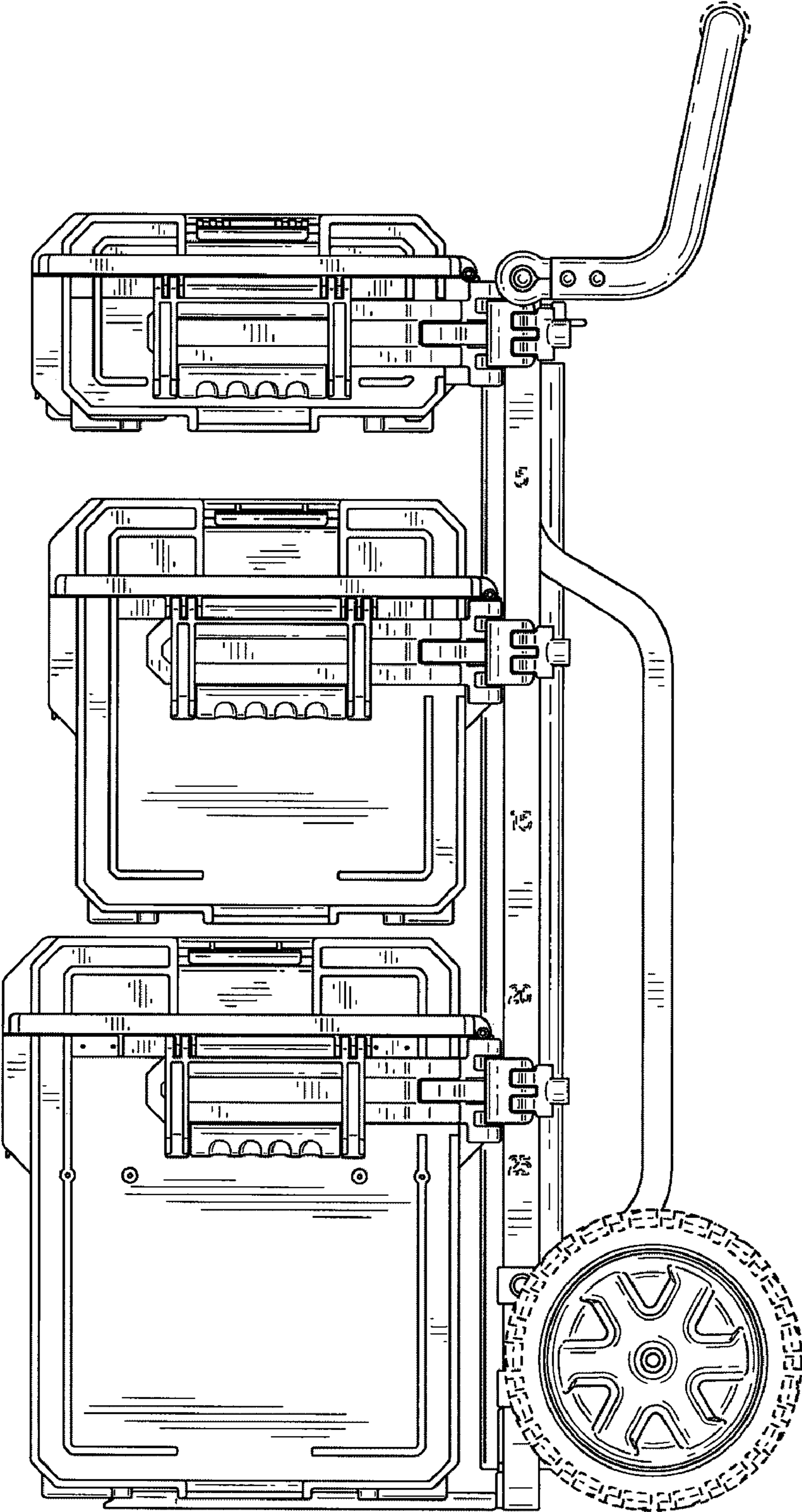


FIG. 4

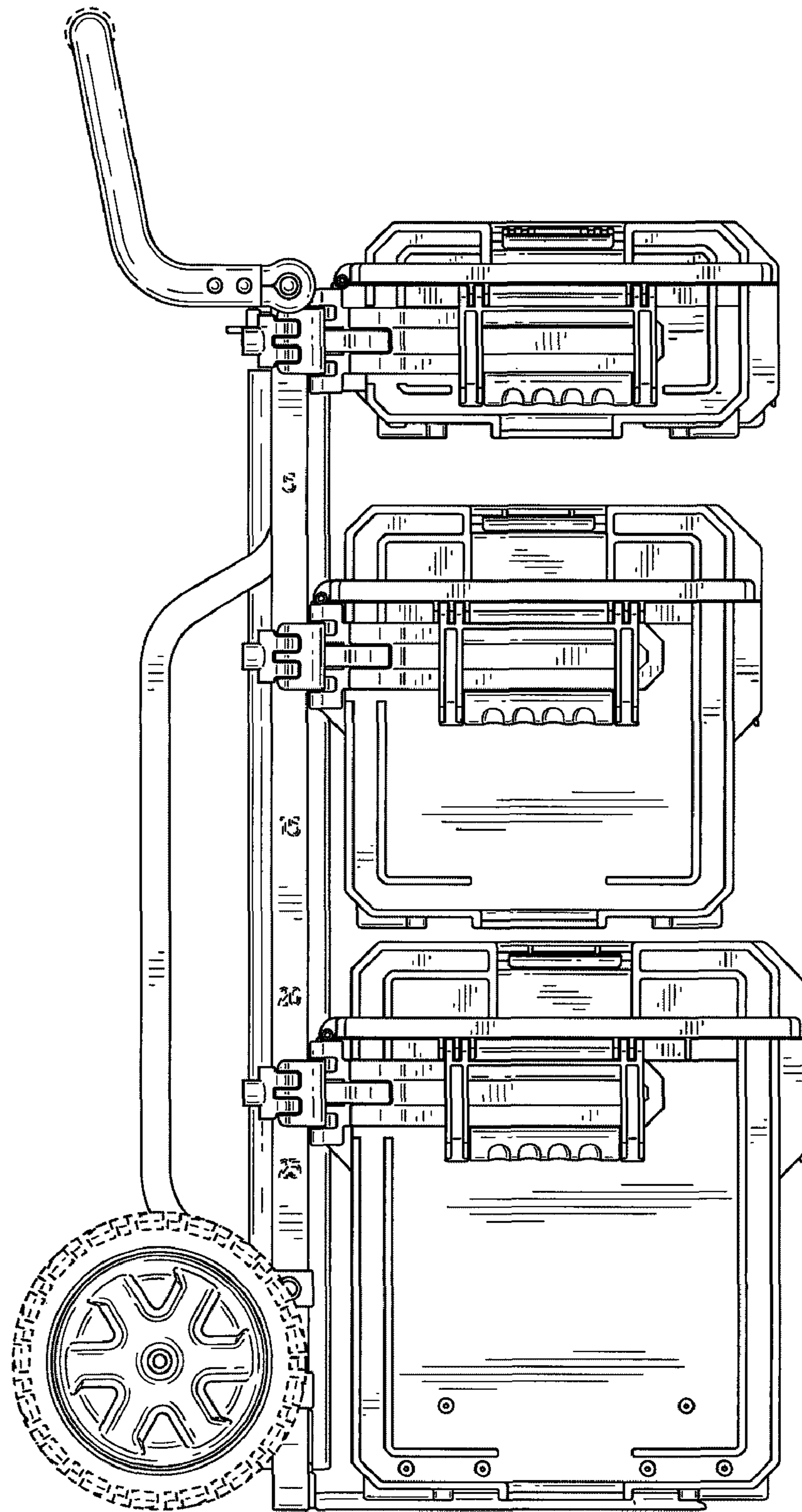


FIG. 5

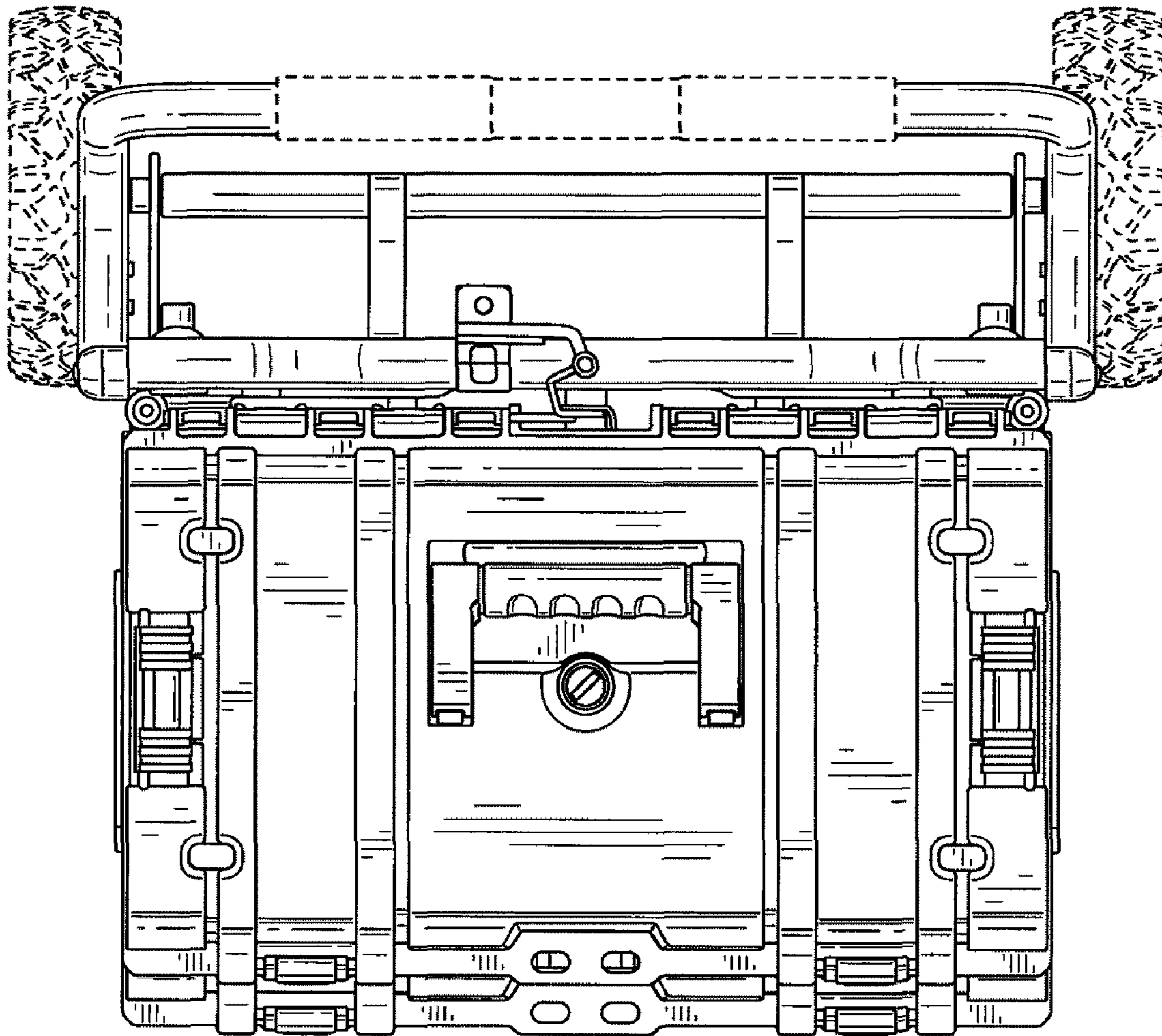


FIG. 6

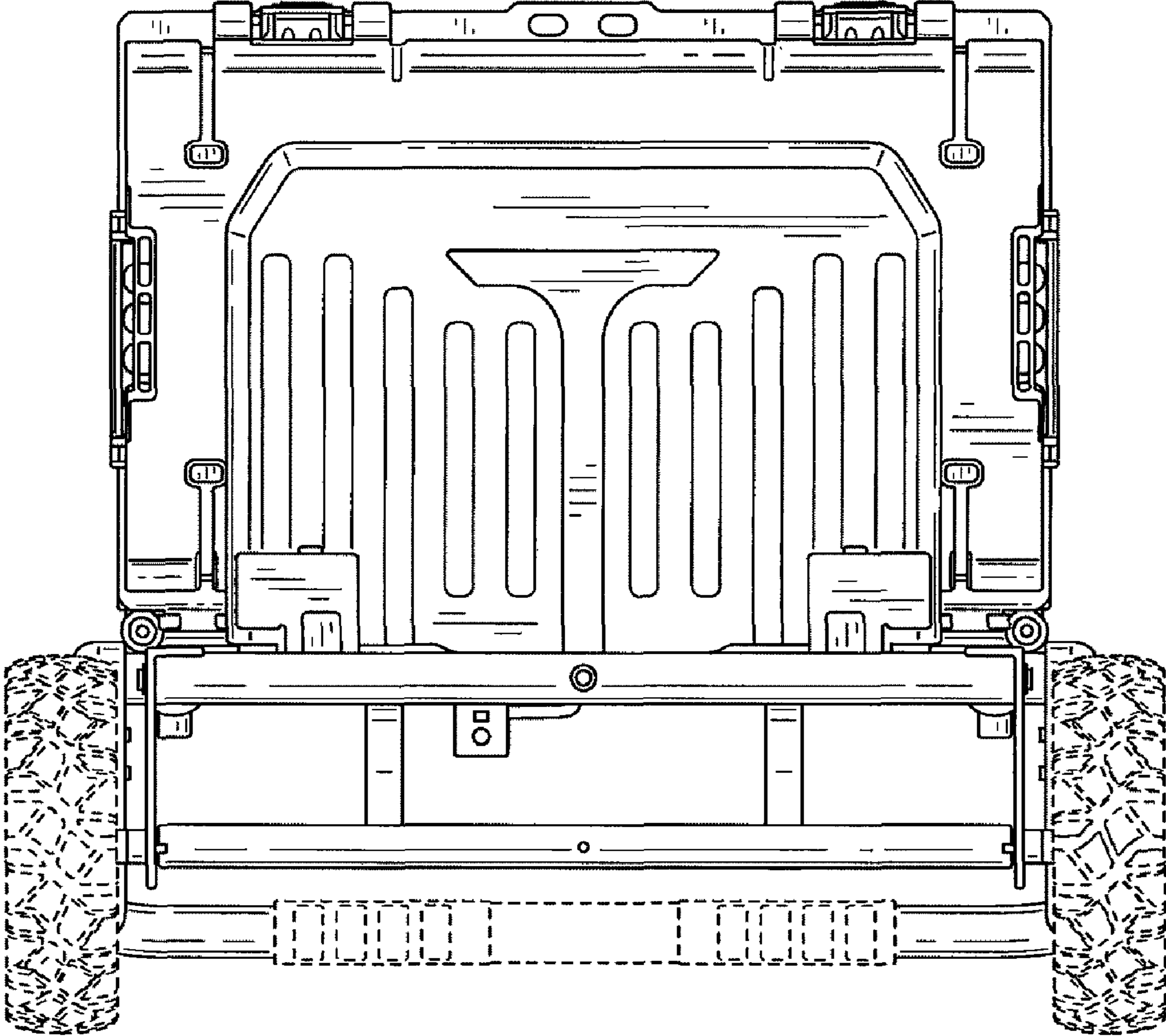


FIG. 7