



US00D653830S

(12) **United States Design Patent**  
**Maddux et al.**

(10) **Patent No.:** **US D653,830 S**

(45) **Date of Patent:** **\*\* Feb. 7, 2012**

(54) **SERVICE REGISTRY CART**

(75) Inventors: **Larry Maddux**, Westminster, CA (US);  
**Jeff Nicholson**, Long Beach, CA (US);  
**Johannes Le**, Huntington Beach, CA  
(US)

(73) Assignee: **Cambro Manufacturing Company**,  
Huntington Beach, CA (US)

(\*\*) Term: **14 Years**

(21) Appl. No.: **29/346,595**

(22) Filed: **Jan. 8, 2010**

(51) **LOC (9) Cl.** ..... **12-02**

(52) **U.S. Cl.** ..... **D34/17**

(58) **Field of Classification Search** ..... D34/12-27;  
280/79.11, 47.35, 47.19, 79.2, 79.3, 33.991,  
280/33.993, 47.34

See application file for complete search history.

(56) **References Cited**

**U.S. PATENT DOCUMENTS**

D145,897 S \* 11/1946 Hathaway ..... D7/334  
D190,414 S \* 5/1961 Rhoads ..... D34/20  
D268,537 S \* 4/1983 Craig et al. .... D34/14

D452,357 S \* 12/2001 Stravitz et al. .... D34/19  
D457,704 S \* 5/2002 Fiscus et al. .... D34/20  
D474,570 S \* 5/2003 Presnell et al. .... D34/21  
D485,037 S \* 1/2004 Presnell et al. .... D34/21  
D509,939 S \* 9/2005 Hay et al. .... D34/20  
D510,168 S \* 9/2005 Lovegrove et al. .... D34/17  
D524,506 S \* 7/2006 Hay et al. .... D34/20  
D546,017 S \* 7/2007 Wise ..... D34/19  
D557,870 S \* 12/2007 MacMillan ..... D34/14  
D621,569 S \* 8/2010 Linnell, Jr. .... D34/19  
7,950,679 B2 \* 5/2011 Claffy ..... 280/47.35

\* cited by examiner

*Primary Examiner* — Cynthia Ramirez

(74) *Attorney, Agent, or Firm* — George F. Bethel

(57) **CLAIM**

I claim the ornamental design for a service registry cart, as shown and described.

**DESCRIPTION**

FIG. 1 is a frontal perspective view of the service registry cart.

FIG. 2 is a front elevation view of the cart.

FIG. 3 is a top plan view of the cart.

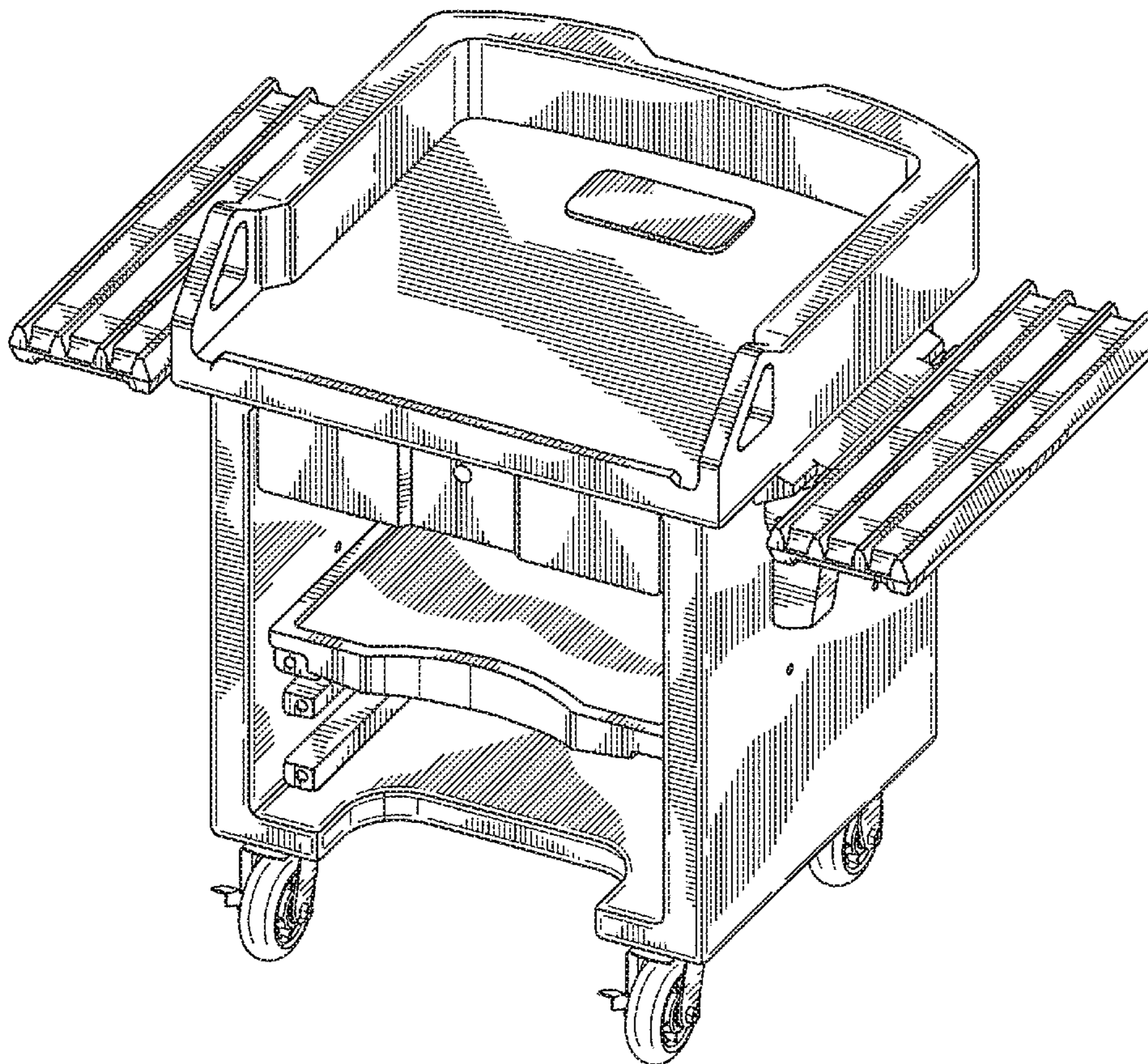
FIG. 4 is a left side elevation view of the cart.

FIG. 5 is a right side elevation view of the cart.

FIG. 6 is a rear elevation view of the cart; and,

FIG. 7 is a bottom plan view of the cart.

**1 Claim, 7 Drawing Sheets**



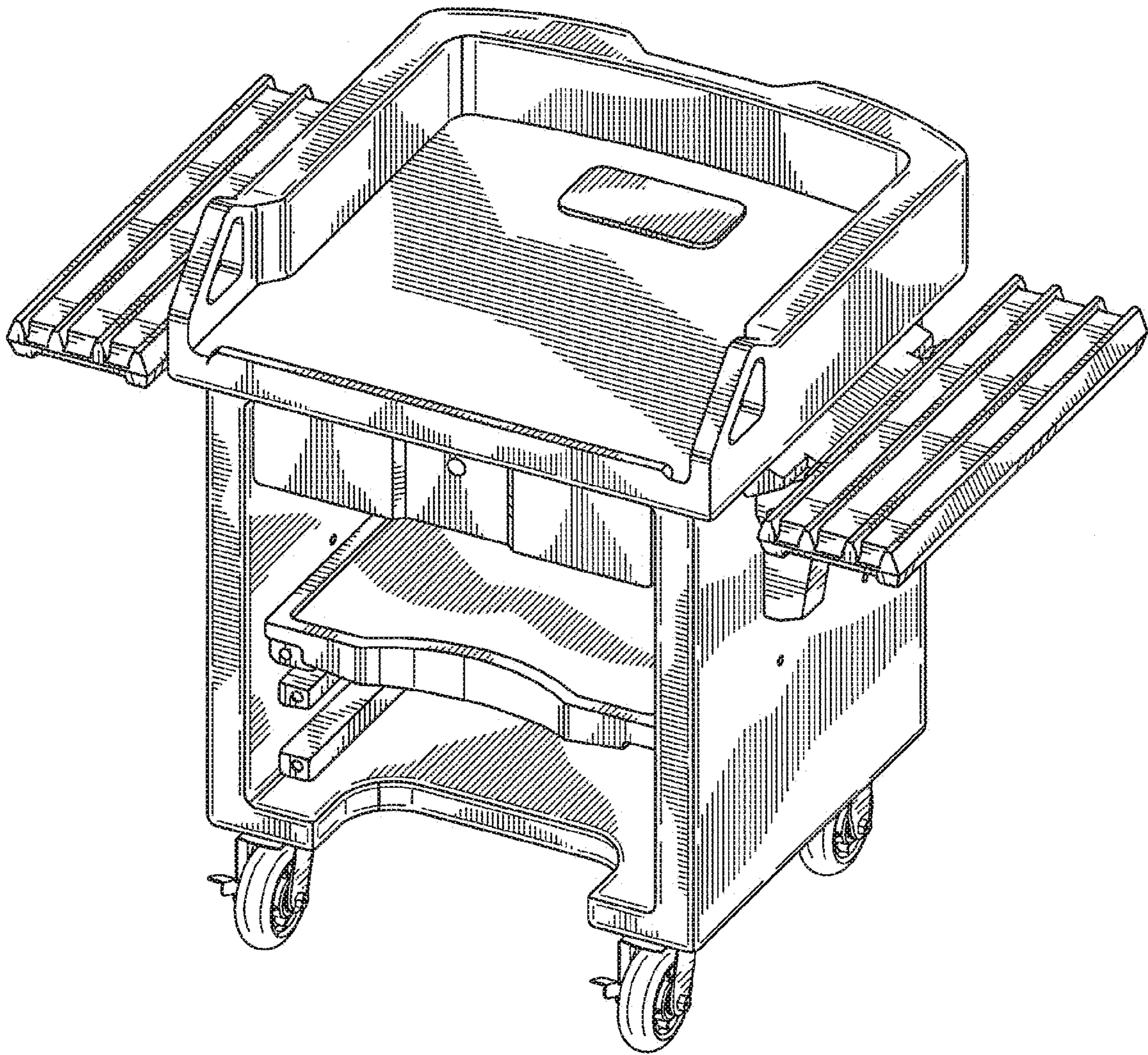


FIG. 1

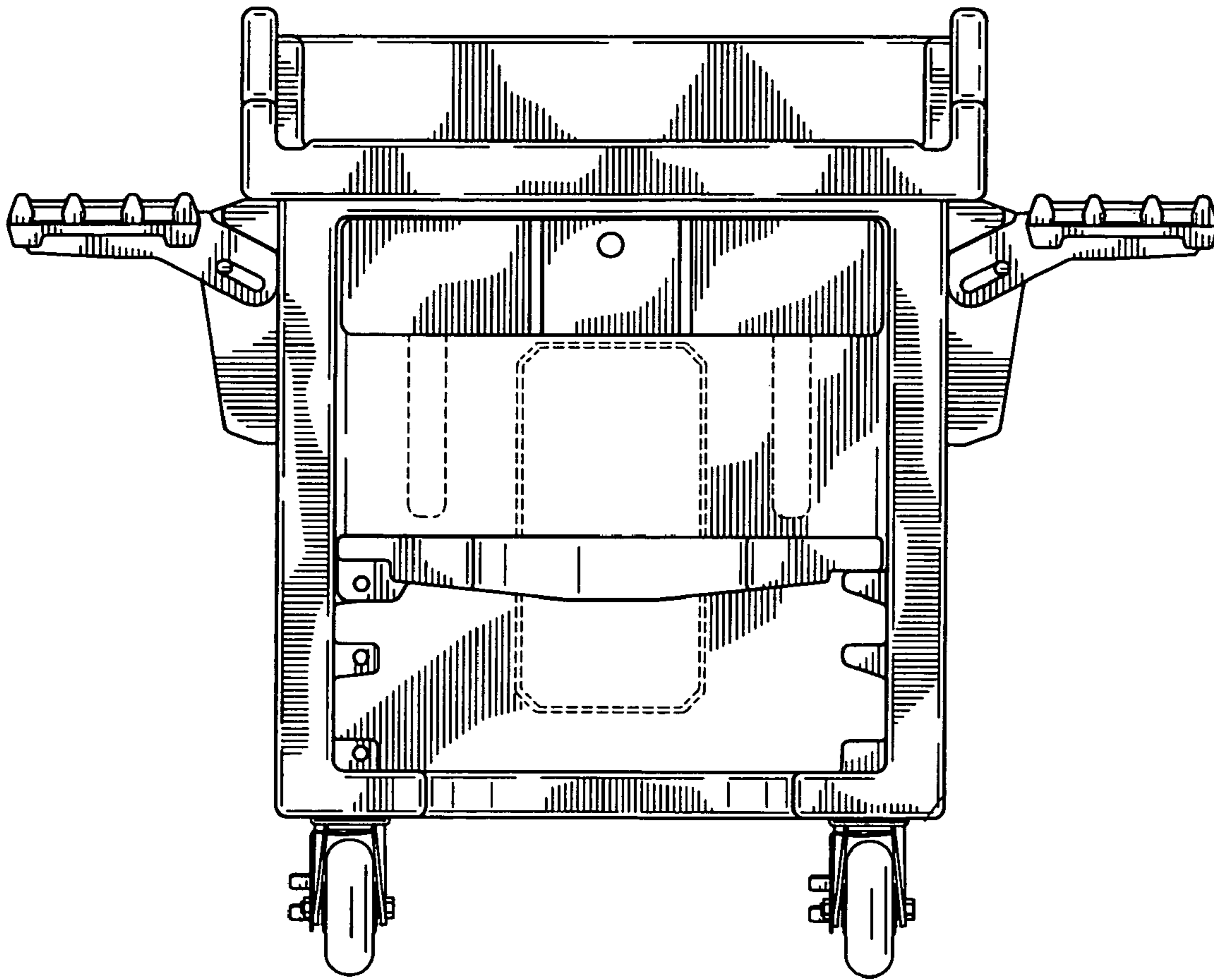


FIG. 2

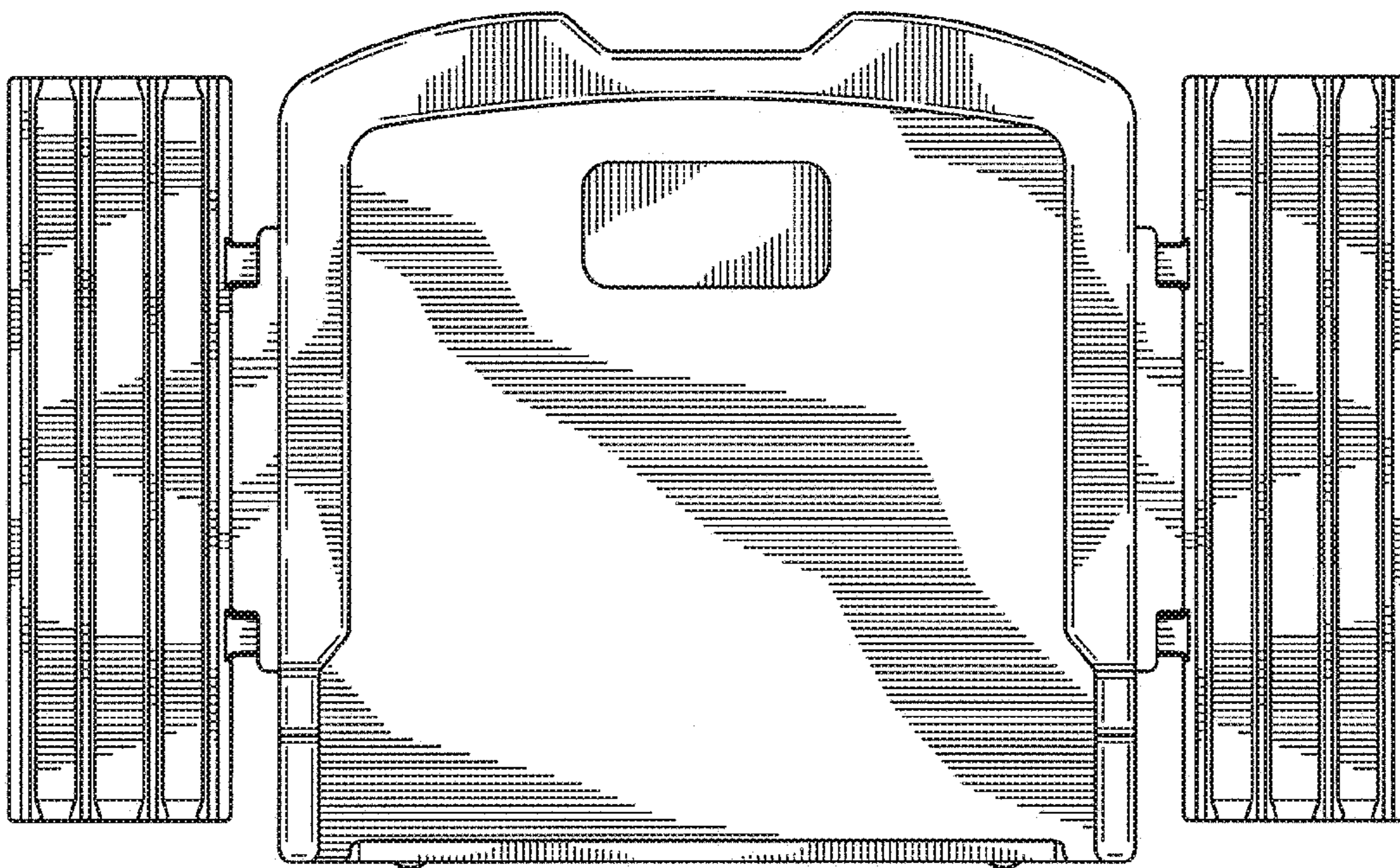


FIG. 3

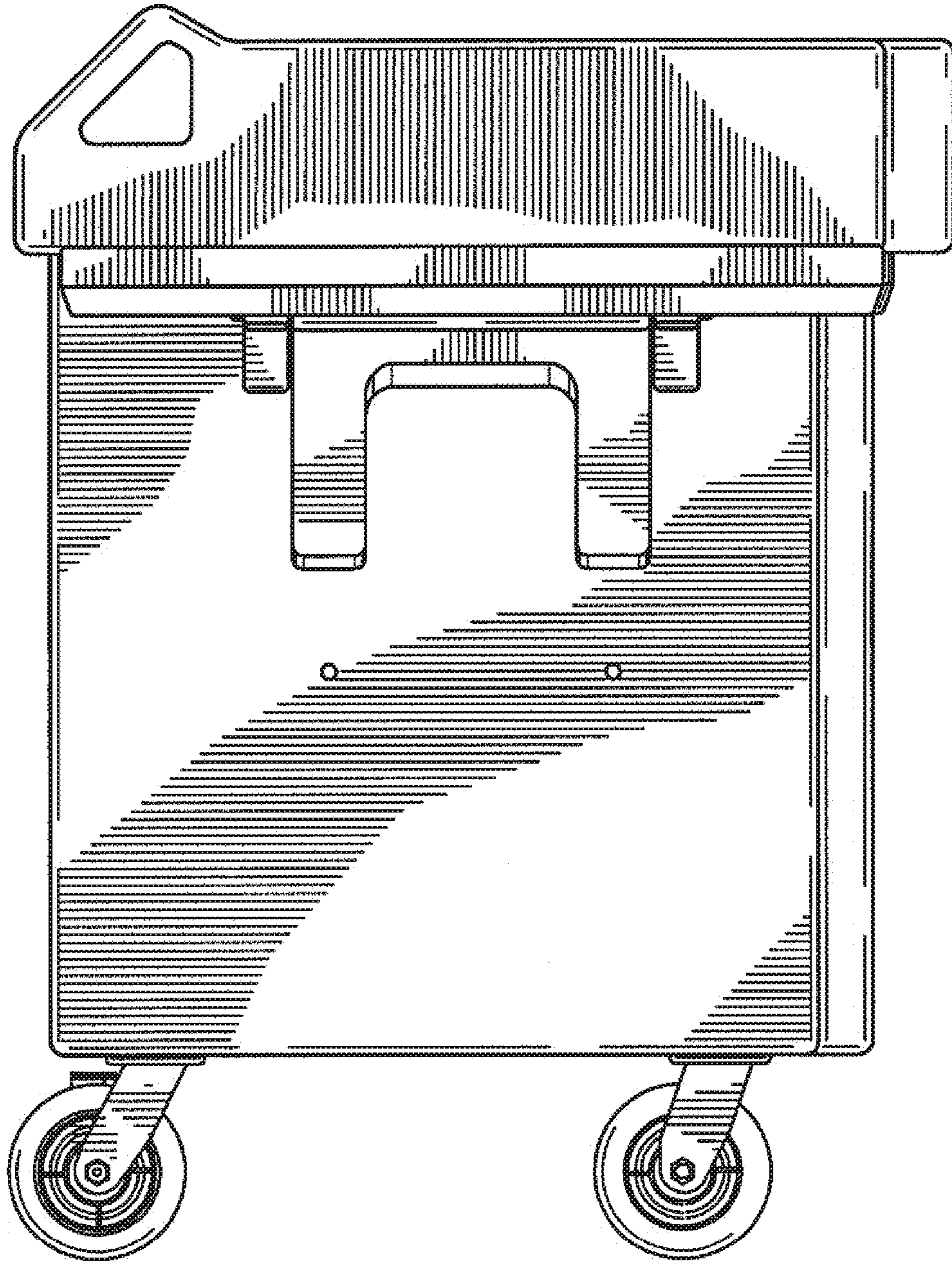


FIG. 4

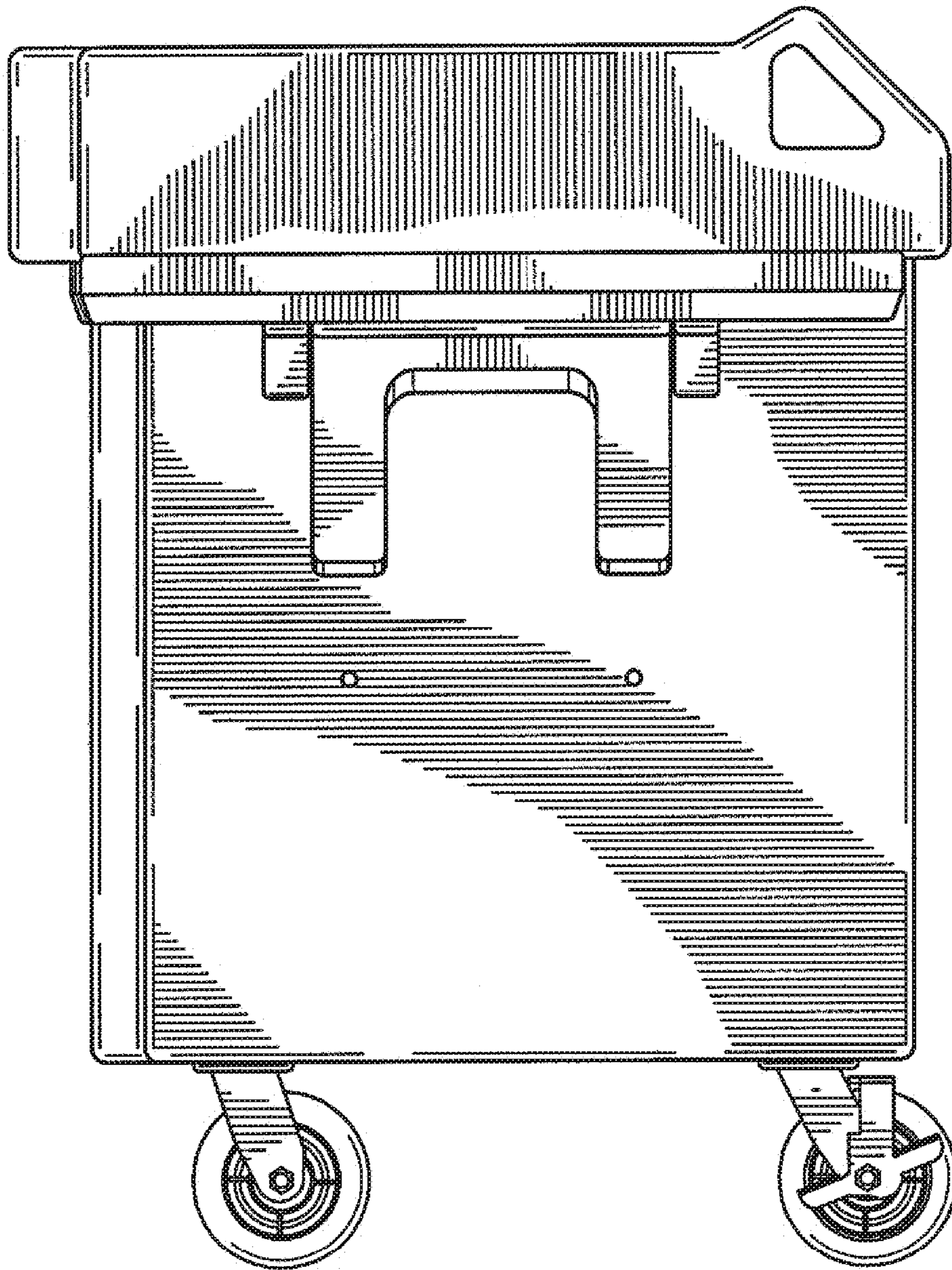


FIG. 5

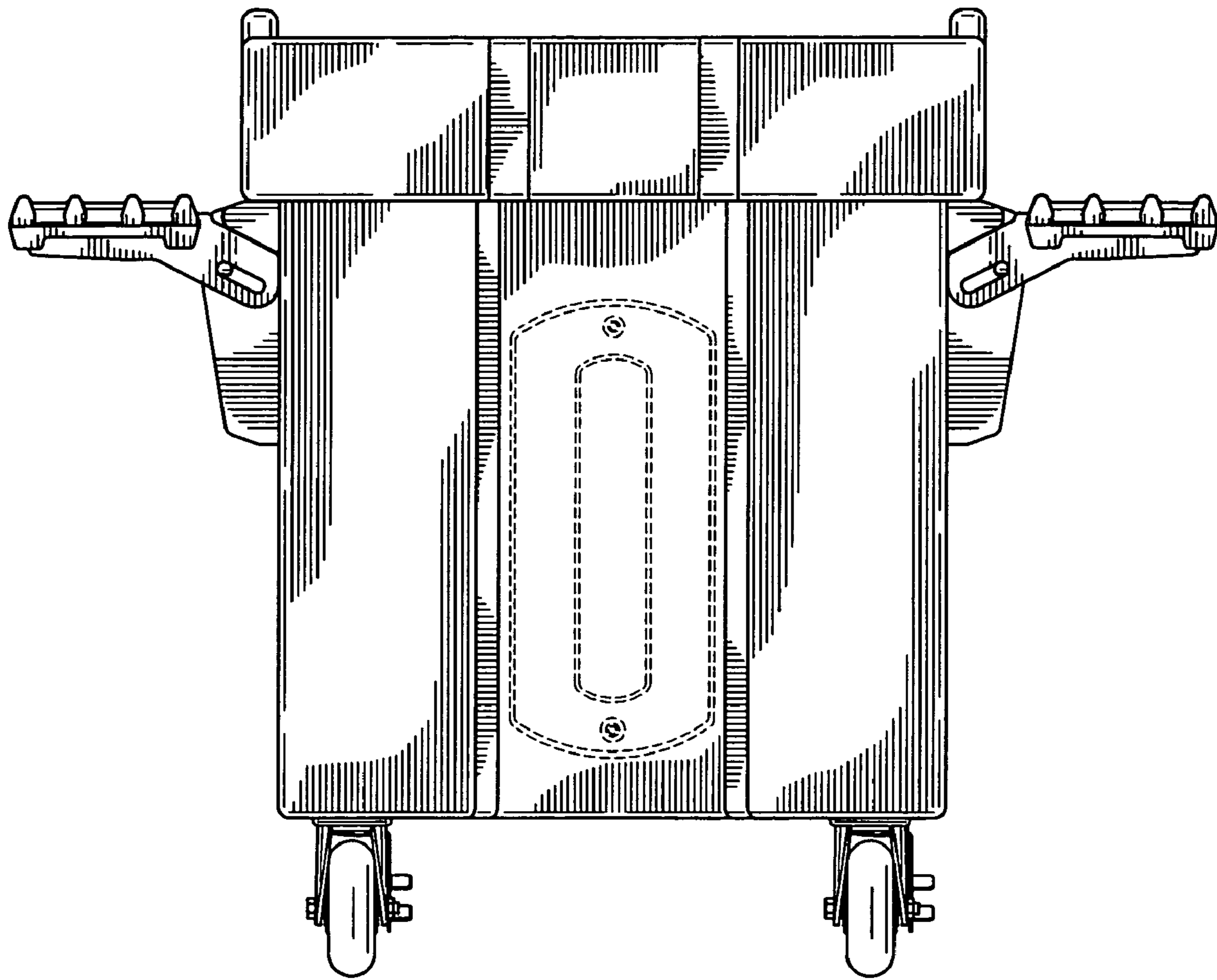


FIG. 6

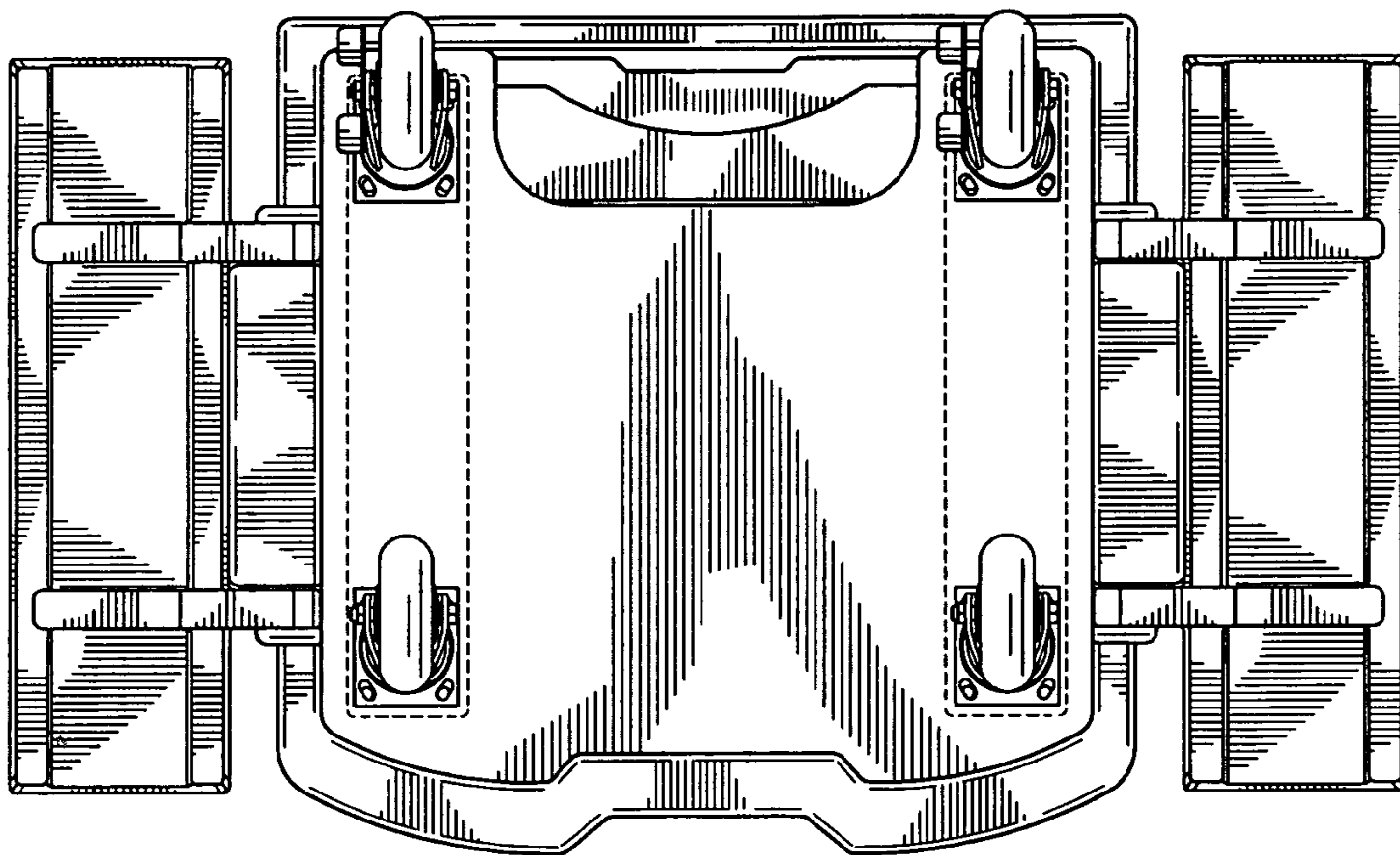


FIG. 7