



US00D653829S

(12) **United States Design Patent**
Kim

(10) **Patent No.:** **US D653,829 S**

(45) **Date of Patent:** **** Feb. 7, 2012**

(54) **TRASH CAN**

(56) **References Cited**

(75) Inventor: **Bum Kee Kim**, Corona, CA (US)

U.S. PATENT DOCUMENTS

(73) Assignee: **Sinclair Worldwide, Inc.**, Ontario, CA
(US)

1,917,363 A * 7/1933 Fohn 312/212
1,959,800 A * 5/1934 Rogge 47/75
D311,801 S * 10/1990 Kullenberg D34/5
D522,702 S * 6/2006 Libman et al. D32/50
D610,322 S * 2/2010 Schwartz et al. D34/1

(**) Term: **14 Years**

* cited by examiner

(21) Appl. No.: **29/390,662**

Primary Examiner — Cynthia Ramirez

(22) Filed: **Apr. 28, 2011**

(74) *Attorney, Agent, or Firm* — Berenato & White, LLC

(30) **Foreign Application Priority Data**

(57) **CLAIM**

The ornamental design for a trash can, as shown and described.

Oct. 28, 2010 (KR) 30-2010-0046824

DESCRIPTION

(51) **LOC (9) Cl.** **09-09**

(52) **U.S. Cl.** **D34/7**

(58) **Field of Classification Search** D34/1-11;
220/908, 908.1, 909, 910, 911

FIG. 1 is a front perspective view of my design;
FIG. 2 is a front elevational view;
FIG. 3 is a rear elevational view;
FIG. 4 is left side elevational view;
FIG. 5 is a right side elevational view;
FIG. 6 is a top plan view;
FIG. 7 is a bottom plan view; and,
FIG. 8 is another front perspective view.

See application file for complete search history.

1 Claim, 8 Drawing Sheets

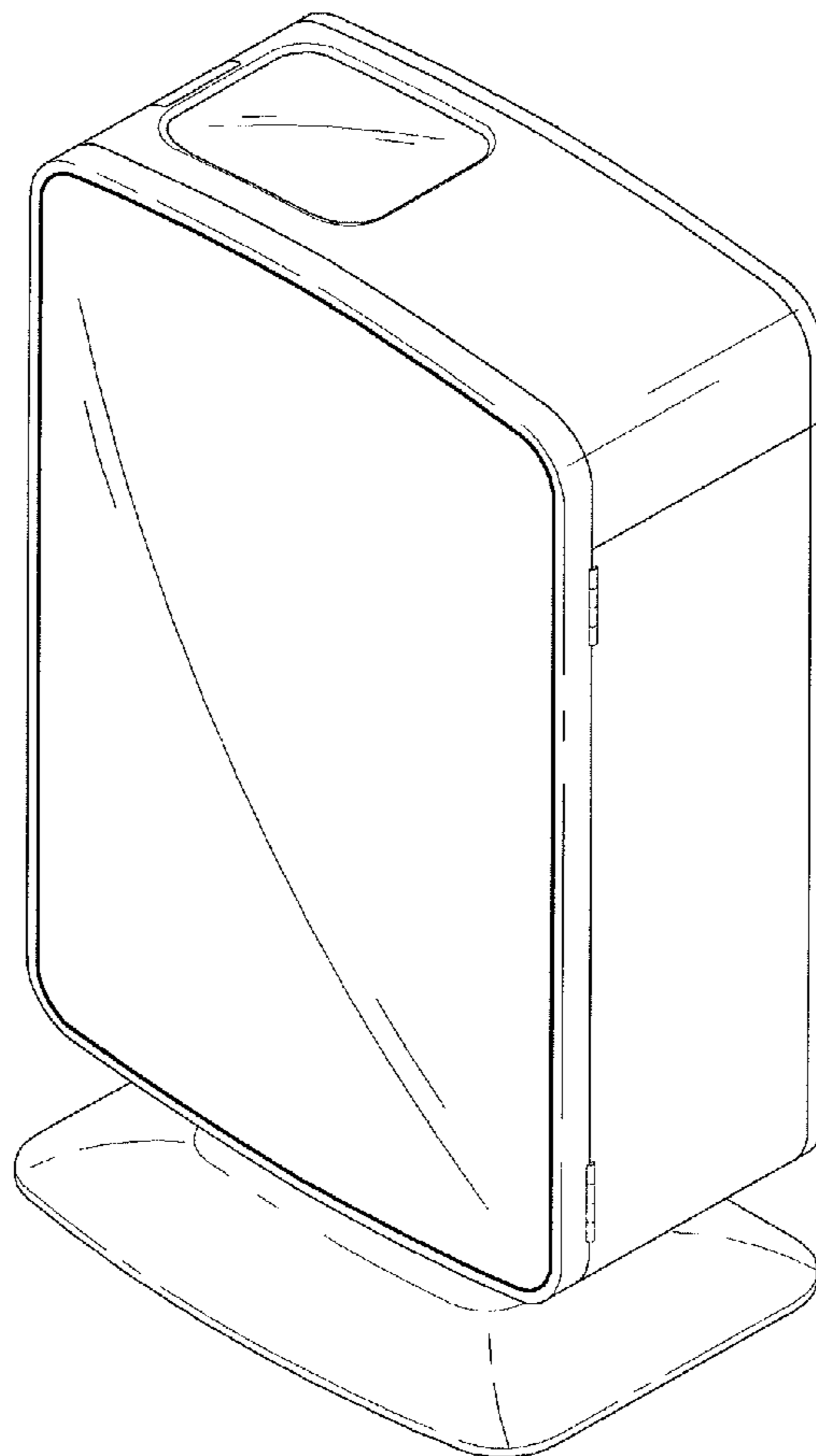


FIG. 1

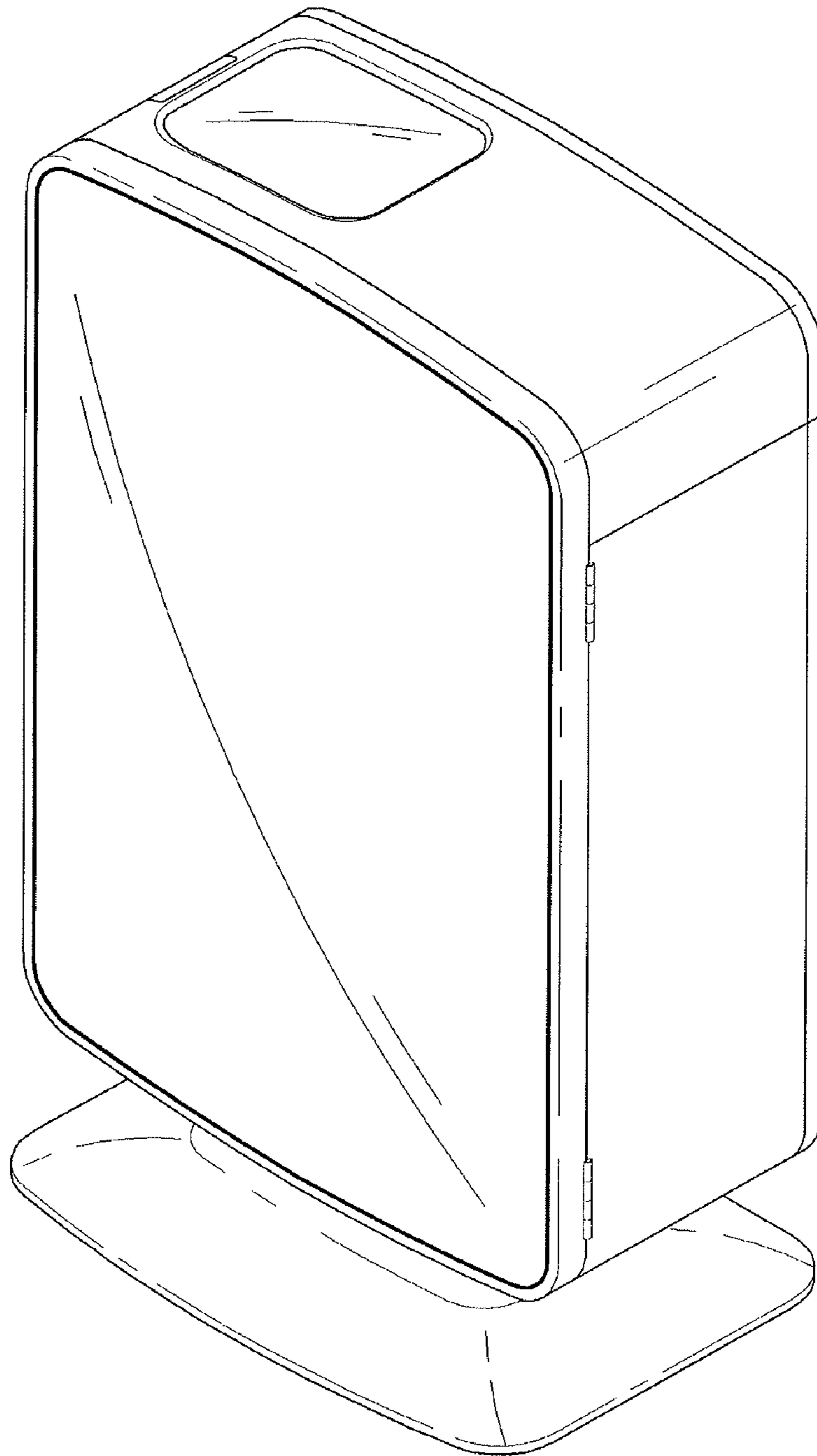


FIG. 2

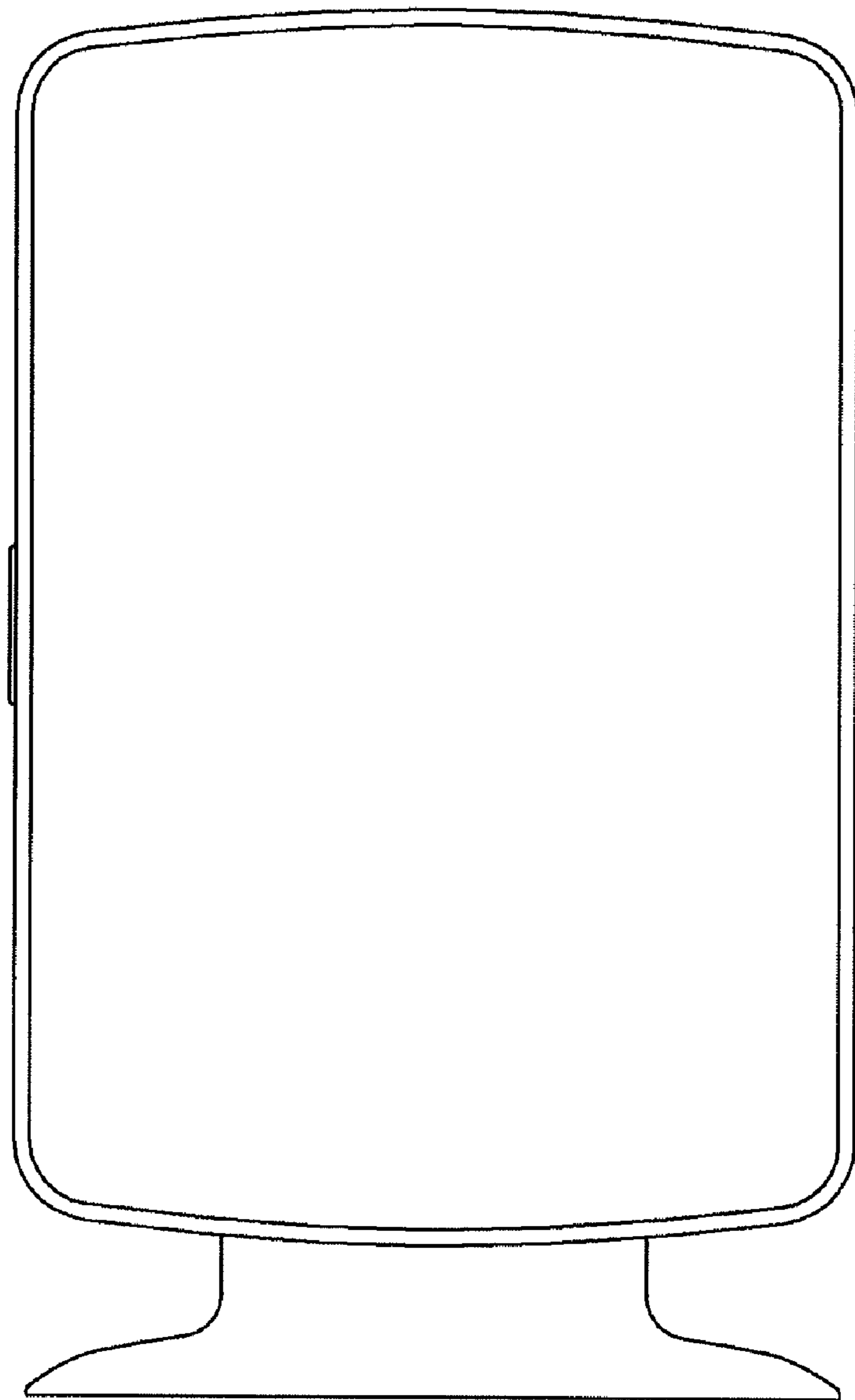


FIG. 3

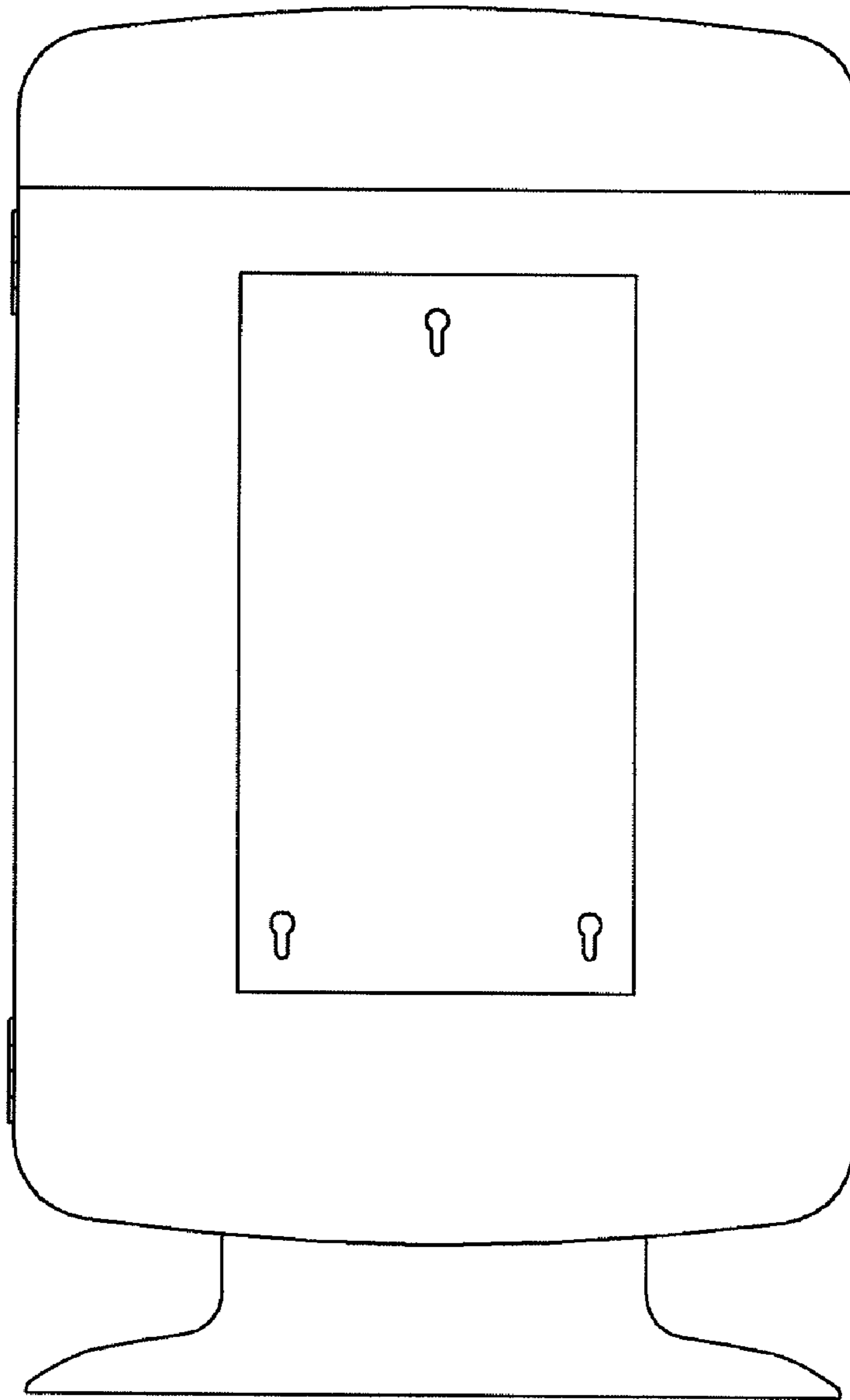


FIG. 4

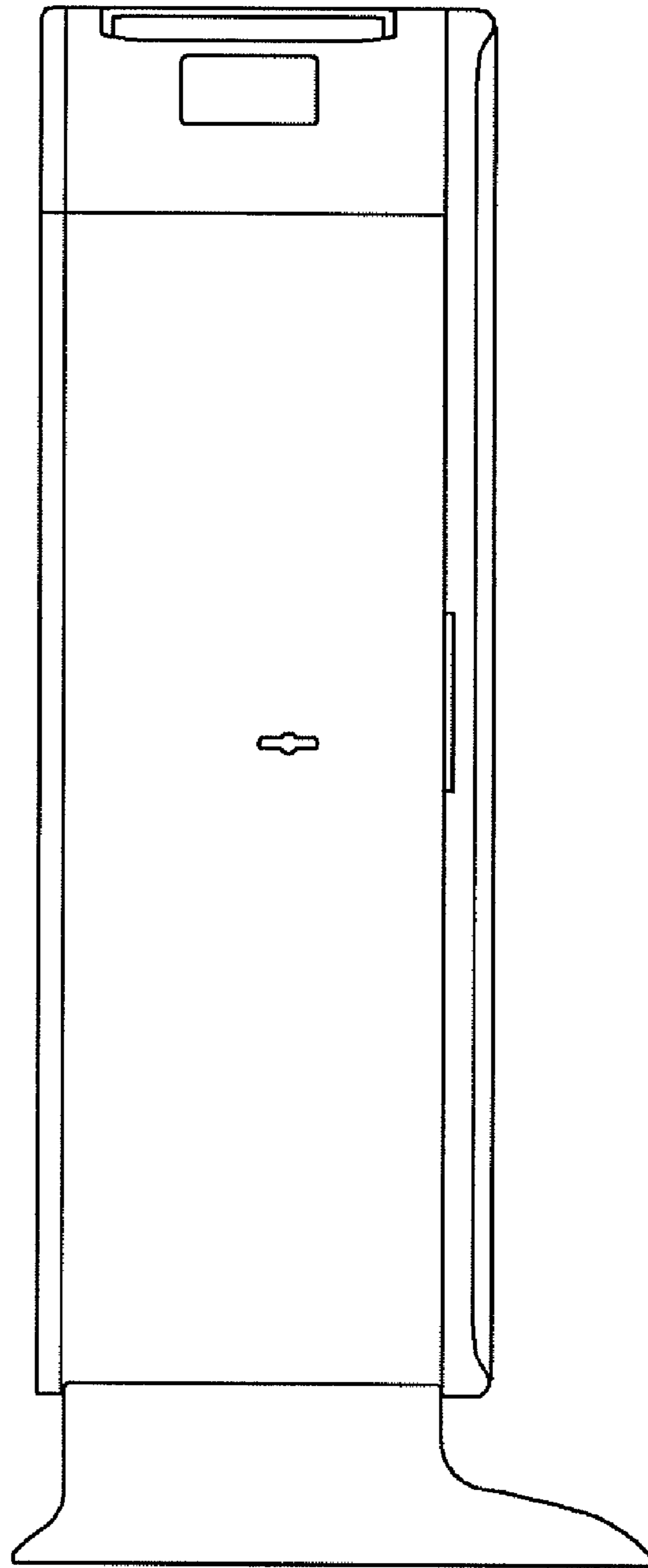


FIG. 5

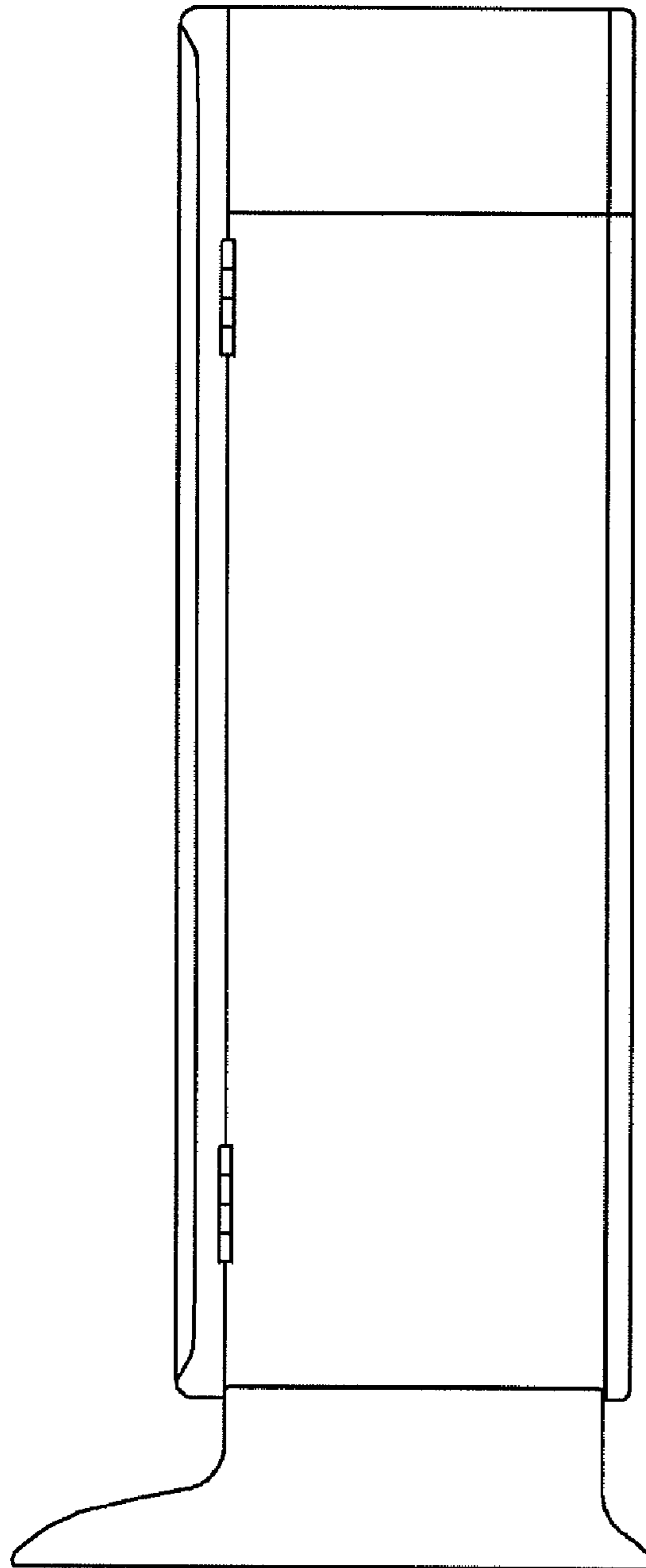


FIG. 6

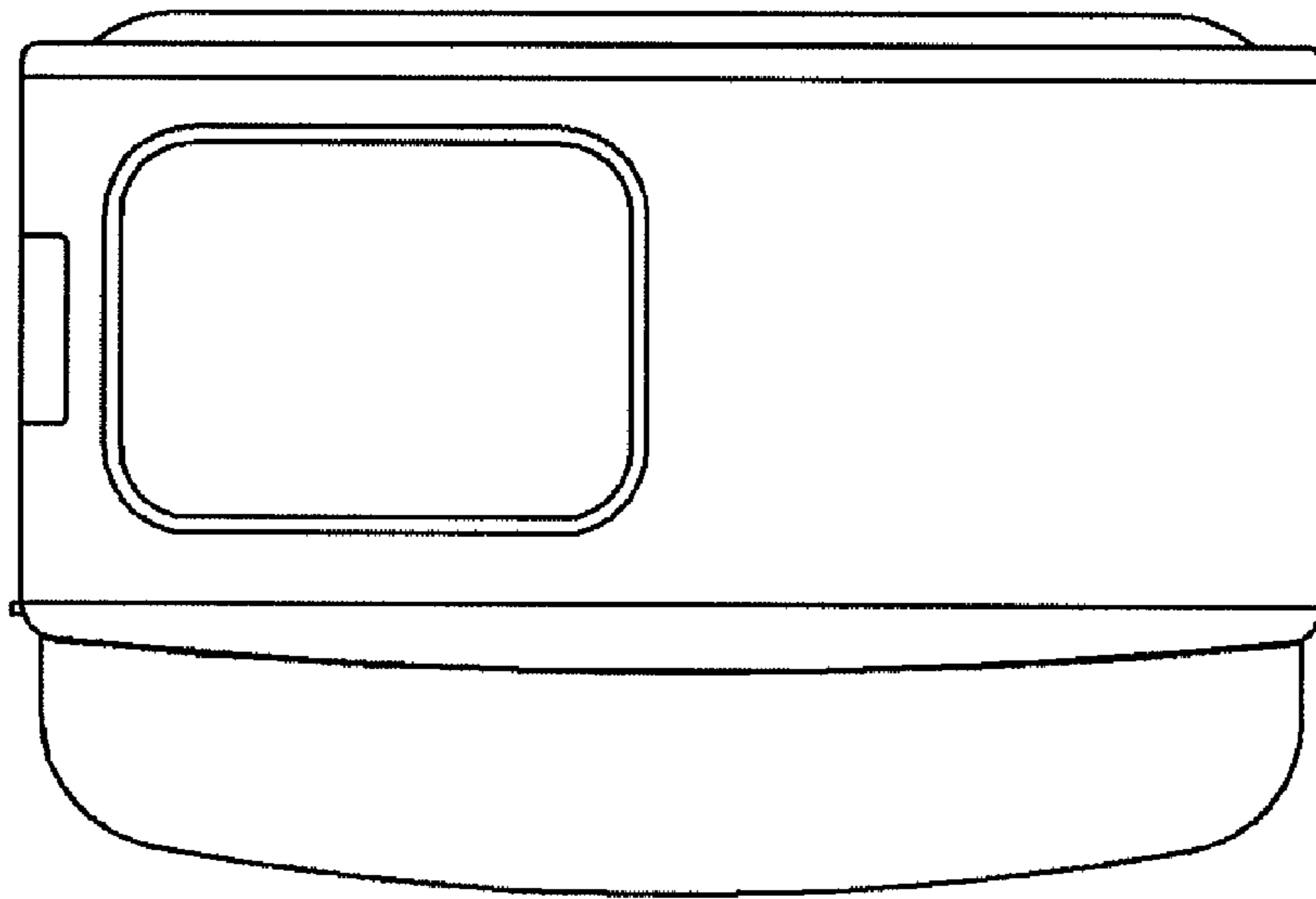


FIG. 7

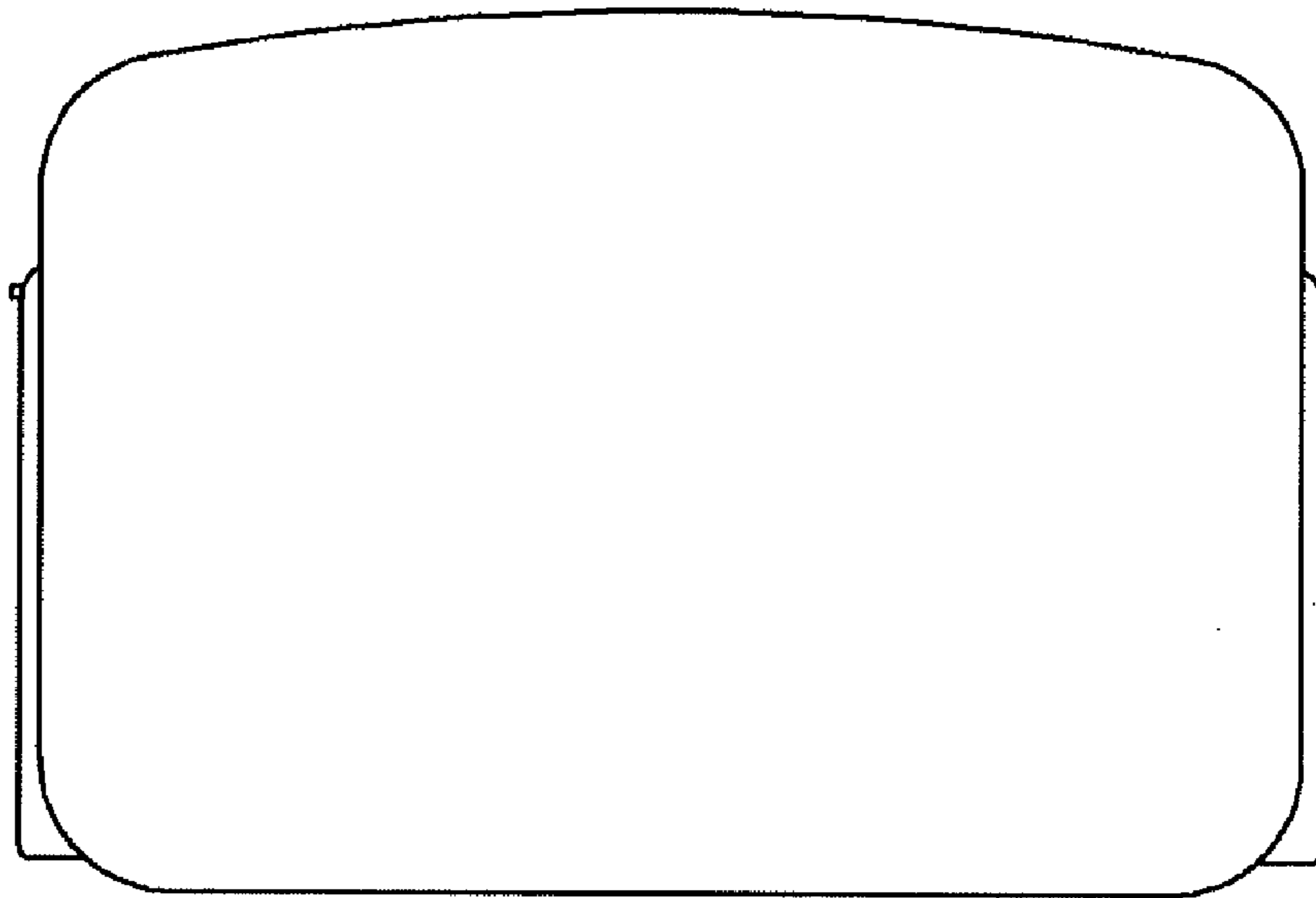


FIG. 8

