



US00D653827S

(12) **United States Design Patent**
Lee

(10) **Patent No.:** **US D653,827 S**
(45) **Date of Patent:** **** Feb. 7, 2012**

- (54) **MOP**
 - (75) Inventor: **In-Hwan Lee**, Hwasung-si (KR)
 - (73) Assignee: **3M Innovative Properties Company**,
St. Paul, MN (US)
 - (**) Term: **14 Years**
 - (21) Appl. No.: **29/403,036**
 - (22) Filed: **Sep. 30, 2011**
 - (51) **LOC (9) Cl.** **04-01**
 - (52) **U.S. Cl.** **D32/50; D32/51**
 - (58) **Field of Classification Search** D32/50,
D32/51, 39-45; 15/116.1, 116.2, 119.2,
15/147.1, 147.2, 150, 208, 209.1, 210.1,
15/228; 401/137-140
- See application file for complete search history.

(56) **References Cited**

U.S. PATENT DOCUMENTS

6,651,290	B2 *	11/2003	Kingry et al.	15/231
D503,836	S *	4/2005	Hall et al.	D32/50
D506,050	S *	6/2005	Lalanne et al.	D32/45
D545,019	S *	6/2007	Harper et al.	D32/50
D552,315	S *	10/2007	Harper et al.	D32/40
D554,815	S *	11/2007	Harper et al.	D32/40
D564,164	S *	3/2008	Harper et al.	D32/51
D574,566	S *	8/2008	Byrne	D32/50
D585,615	S *	1/2009	Enyuva	D32/50
D588,770	S *	3/2009	Koenig et al.	D32/50
D597,718	S *	8/2009	McNeil et al.	D32/45
D609,920	S *	2/2010	Lee	D4/138
D617,066	S *	6/2010	Koenig et al.	D32/50

* cited by examiner

Primary Examiner — John Windmuller
(74) *Attorney, Agent, or Firm* — Trisha D. Adamson

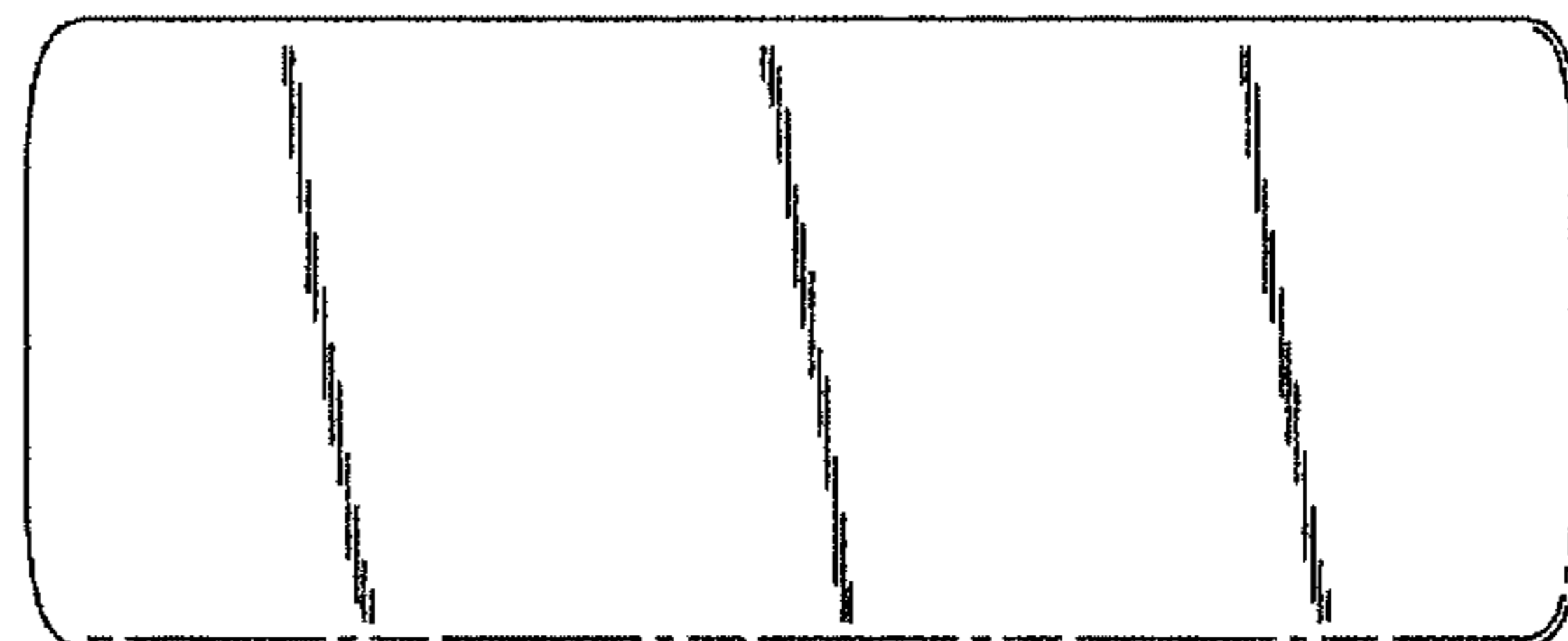
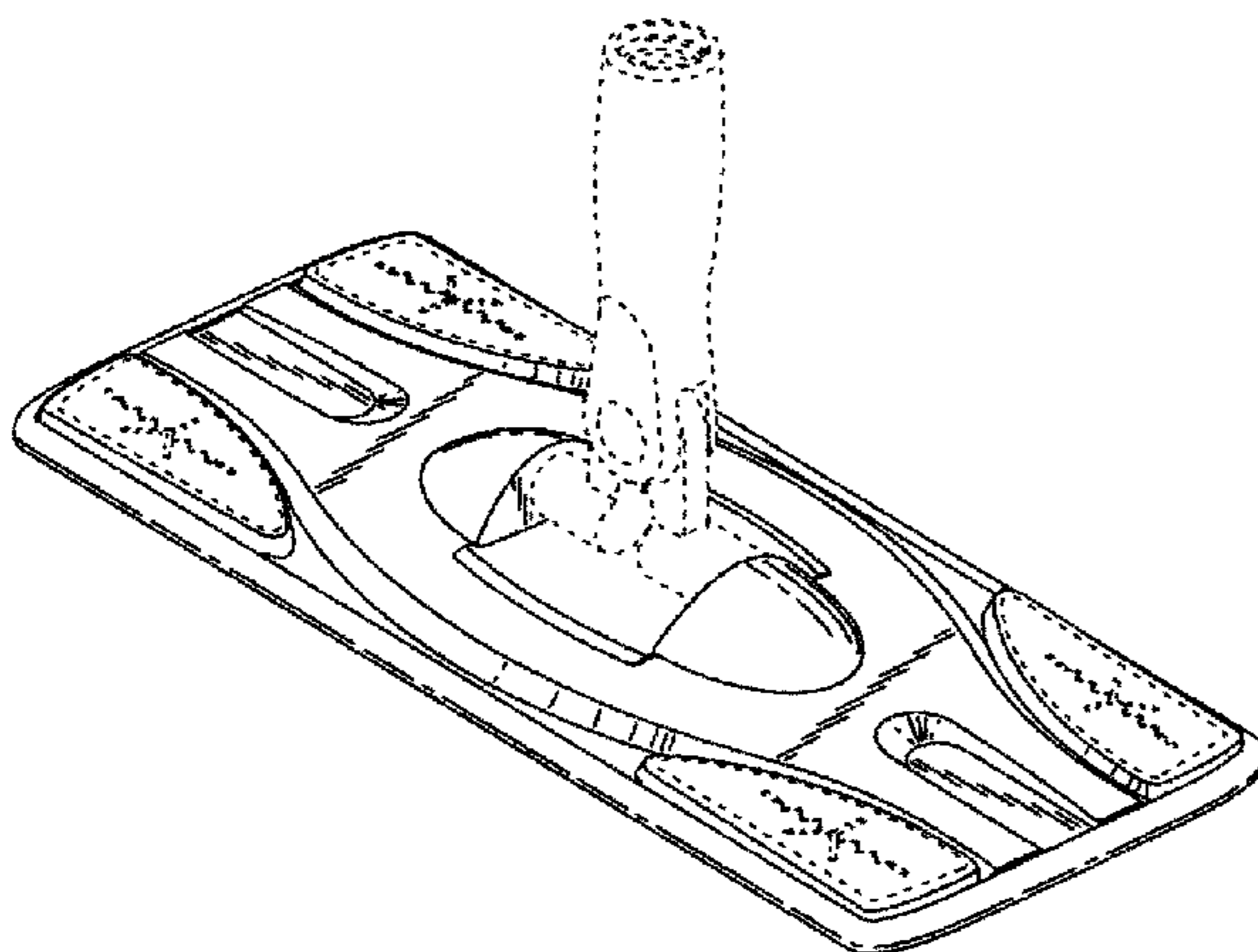
(57) **CLAIM**
The ornamental design for a mop, as shown and described.

DESCRIPTION

FIG. 1 is a perspective view of the new design for a mop;
 FIG. 2 is a front view thereof, the rear view being a mirror image thereof;
 FIG. 3 is a top view thereof;
 FIG. 4 is a bottom view thereof;
 FIG. 5 is a right side view thereof, the left side view being a mirror image thereof;
 FIG. 6 is a perspective view thereof showing the mop with a long handle;
 FIG. 7 is a front view thereof, the rear view being a mirror image thereof;
 FIG. 8 is a top view thereof;
 FIG. 9 is a bottom view thereof; and,
 FIG. 10 is a right side view thereof, the left side view being a mirror image thereof.

The broken lines in the drawings are shown for illustrative purposes only and form no part of the claimed design. In addition, the surface shading illustrated in the drawings is provided merely to highlight contour of design; it is not intended to be illustrative of texture or gloss.

1 Claim, 4 Drawing Sheets



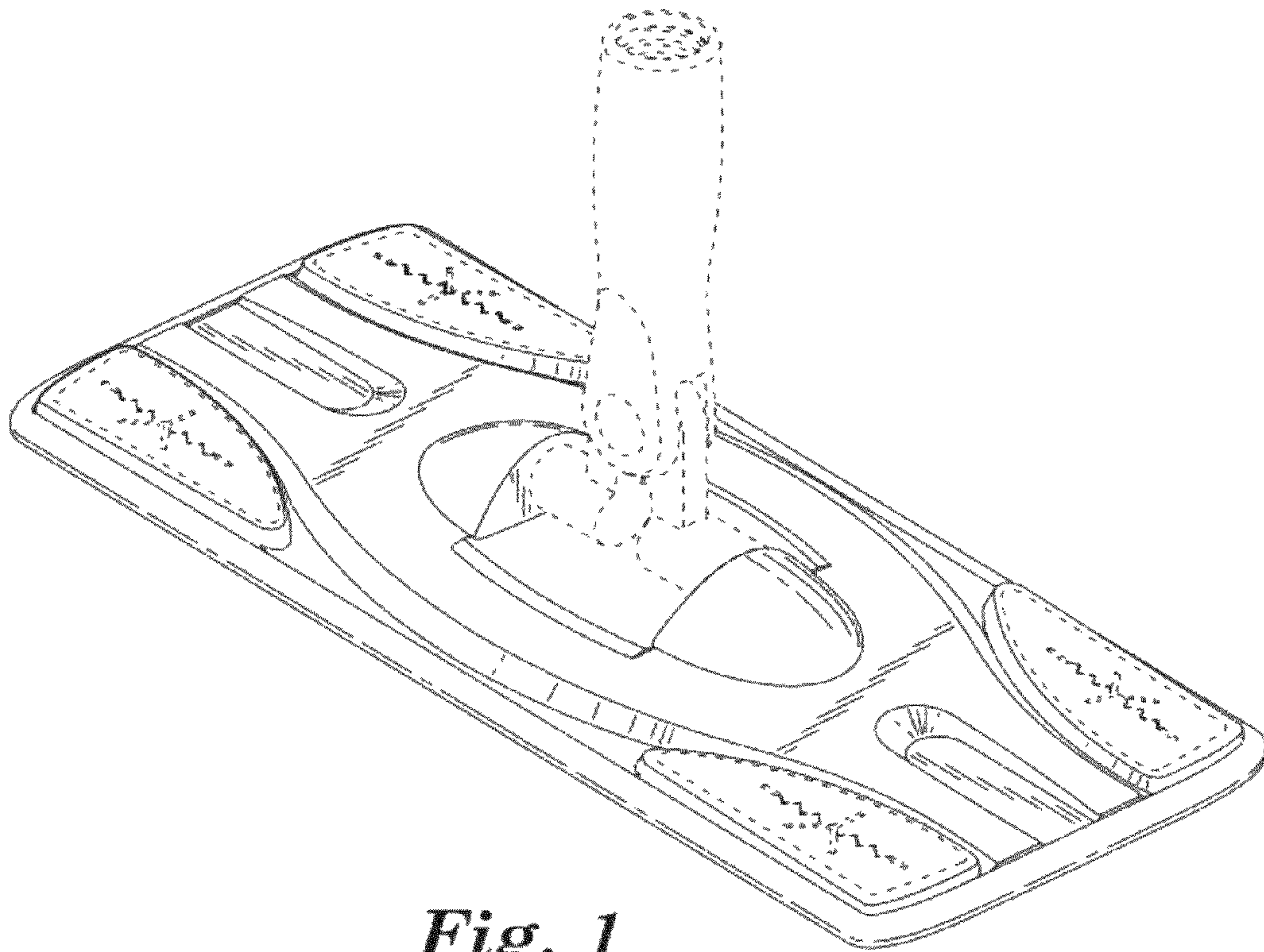


Fig. 1

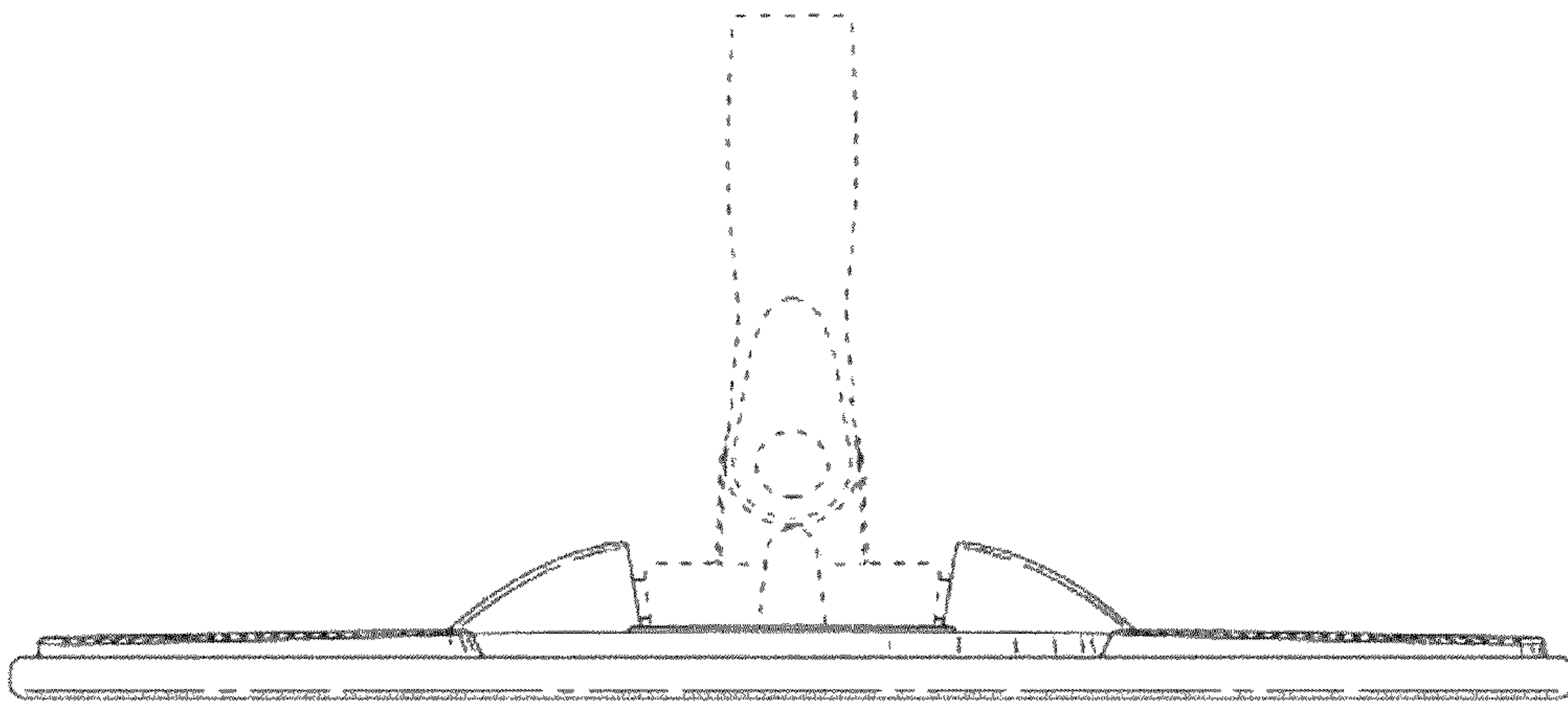


Fig. 2

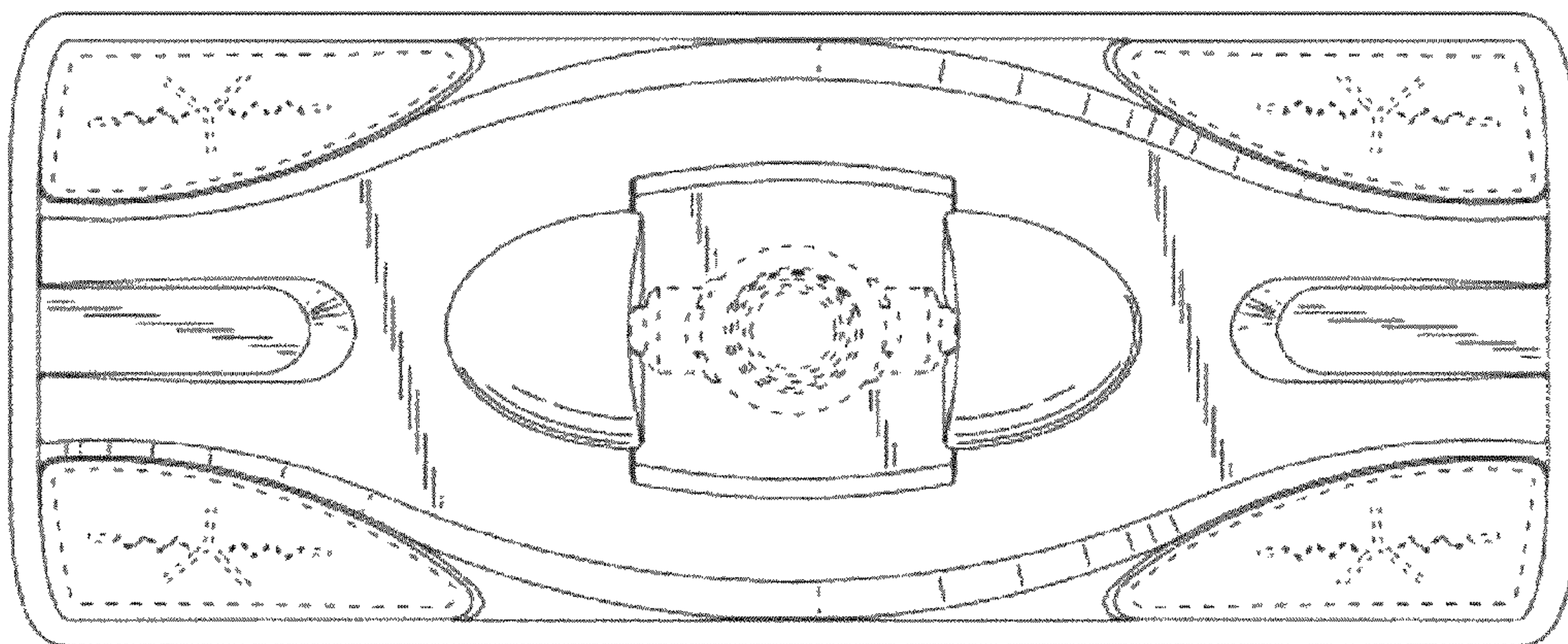


Fig. 3

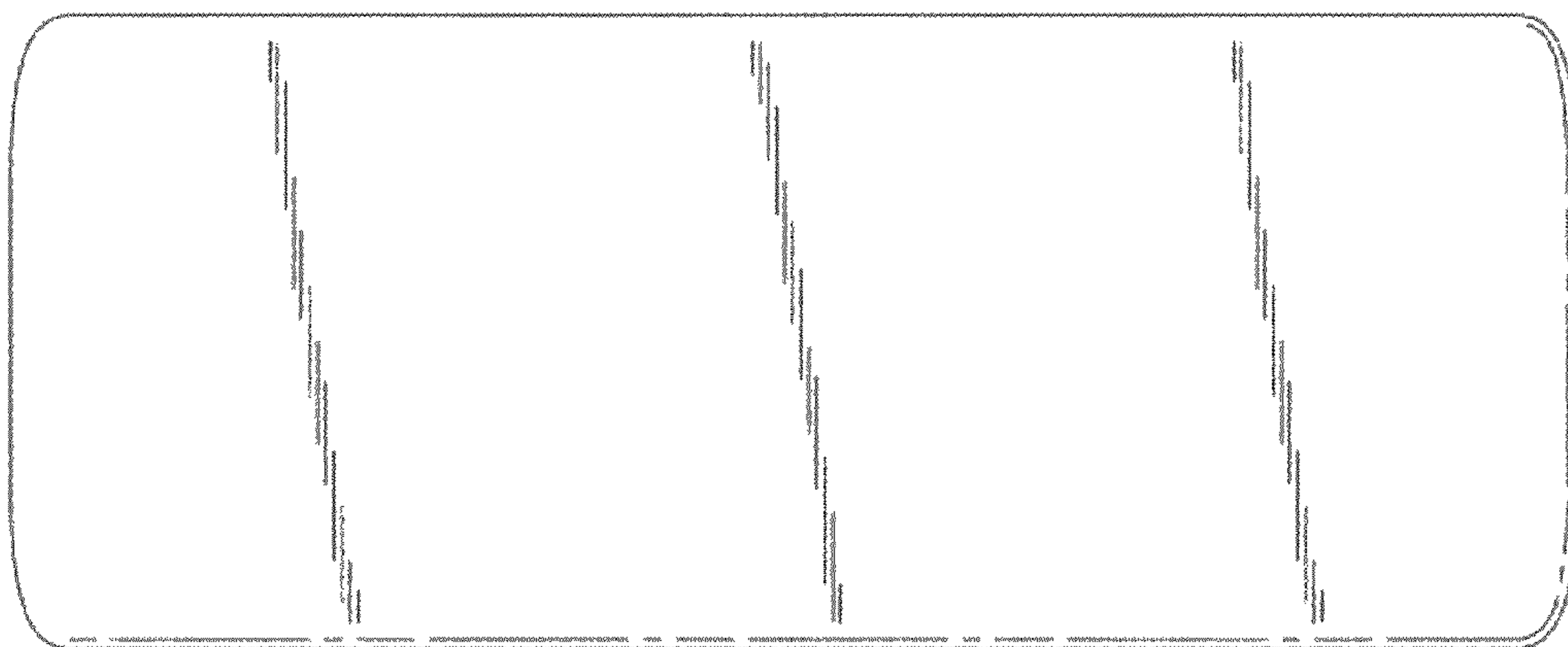


Fig. 4

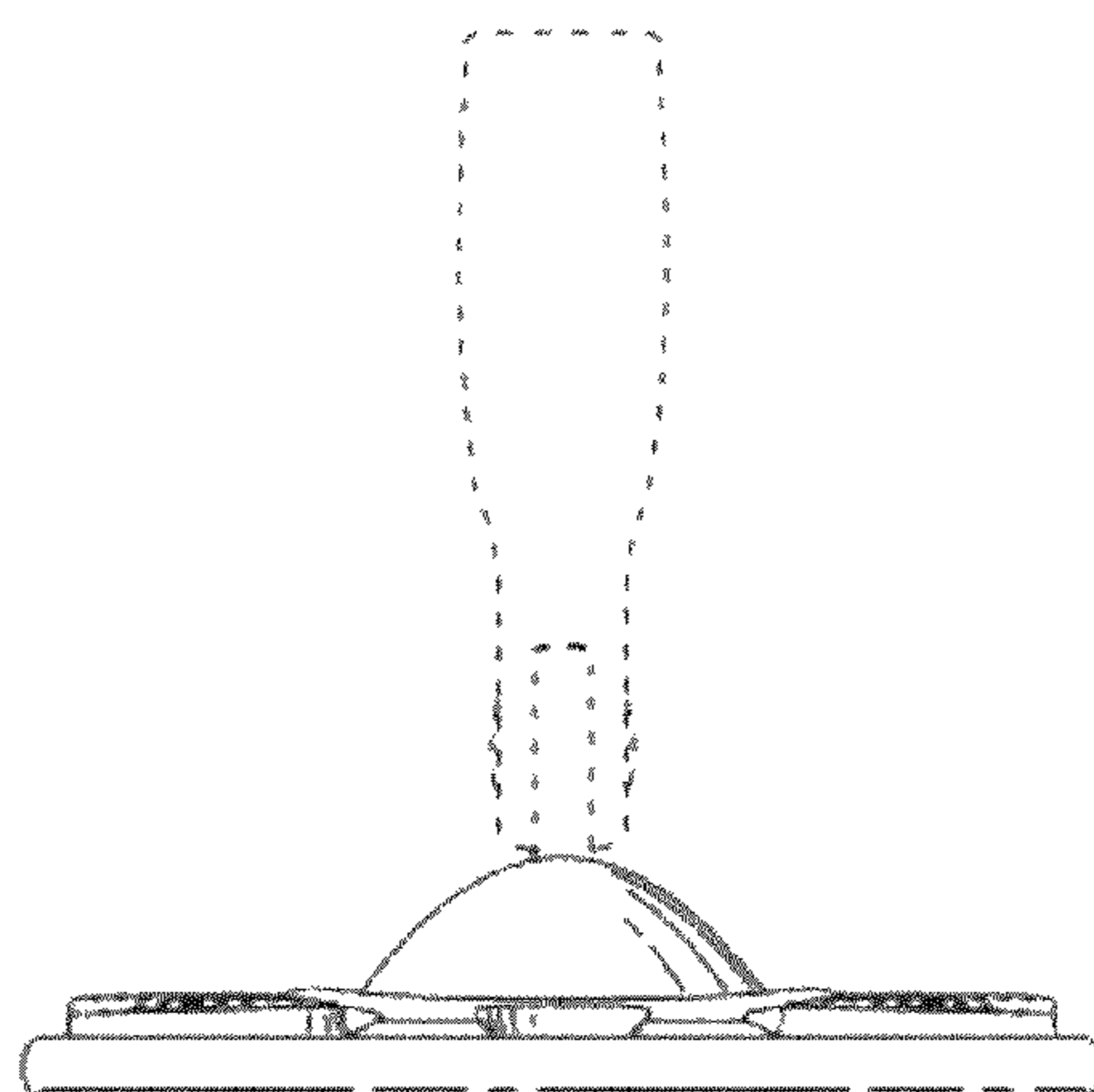


Fig. 5

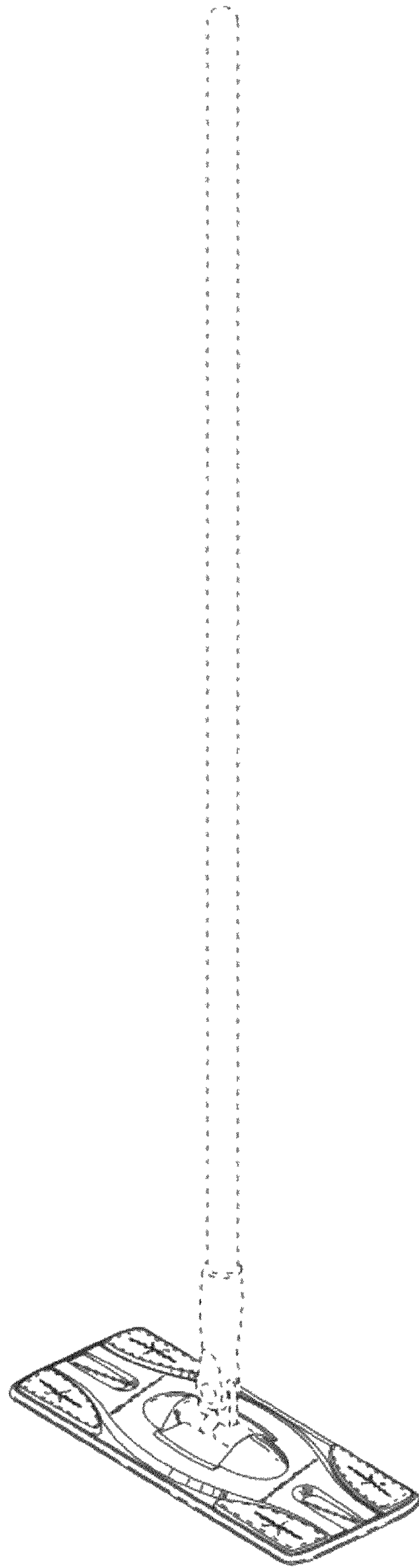


Fig. 6

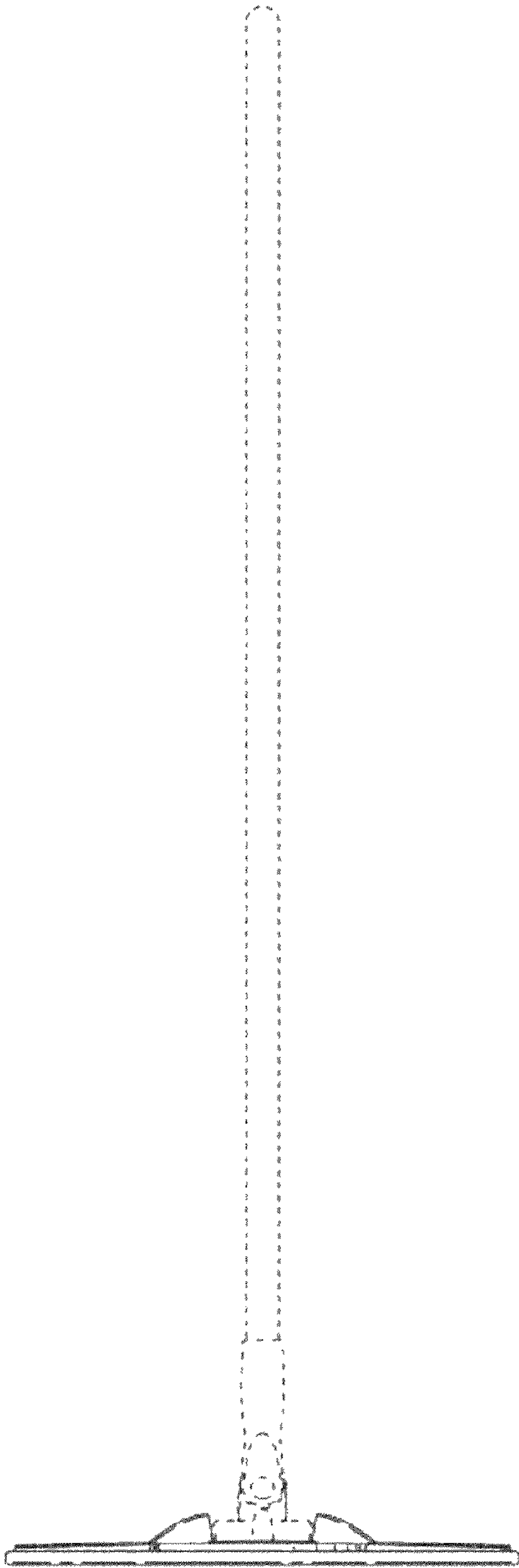


Fig. 7

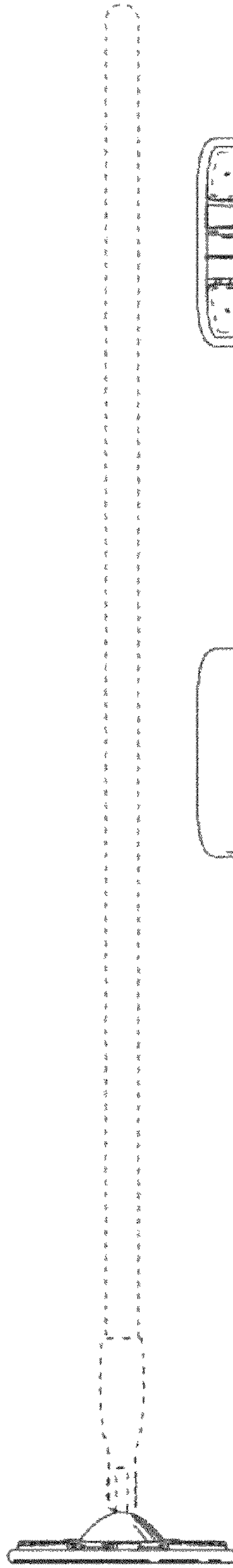


Fig. 10

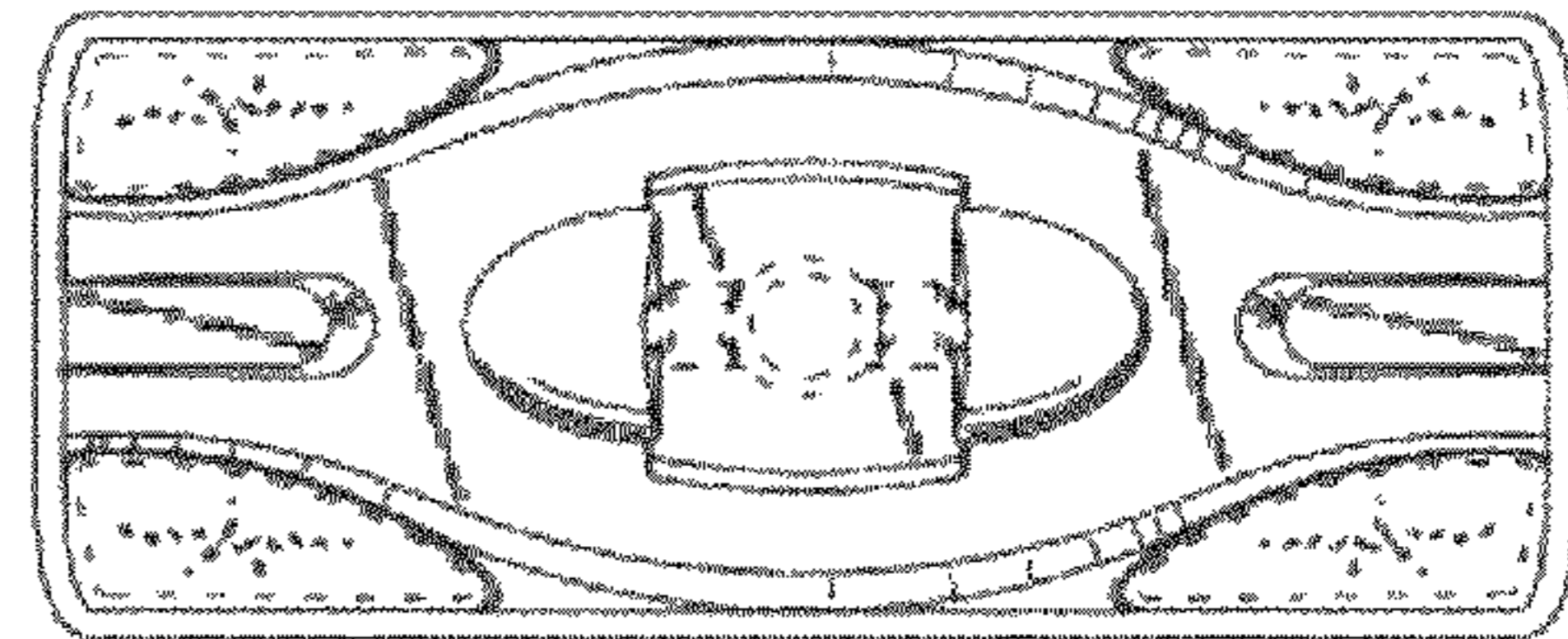


Fig. 8

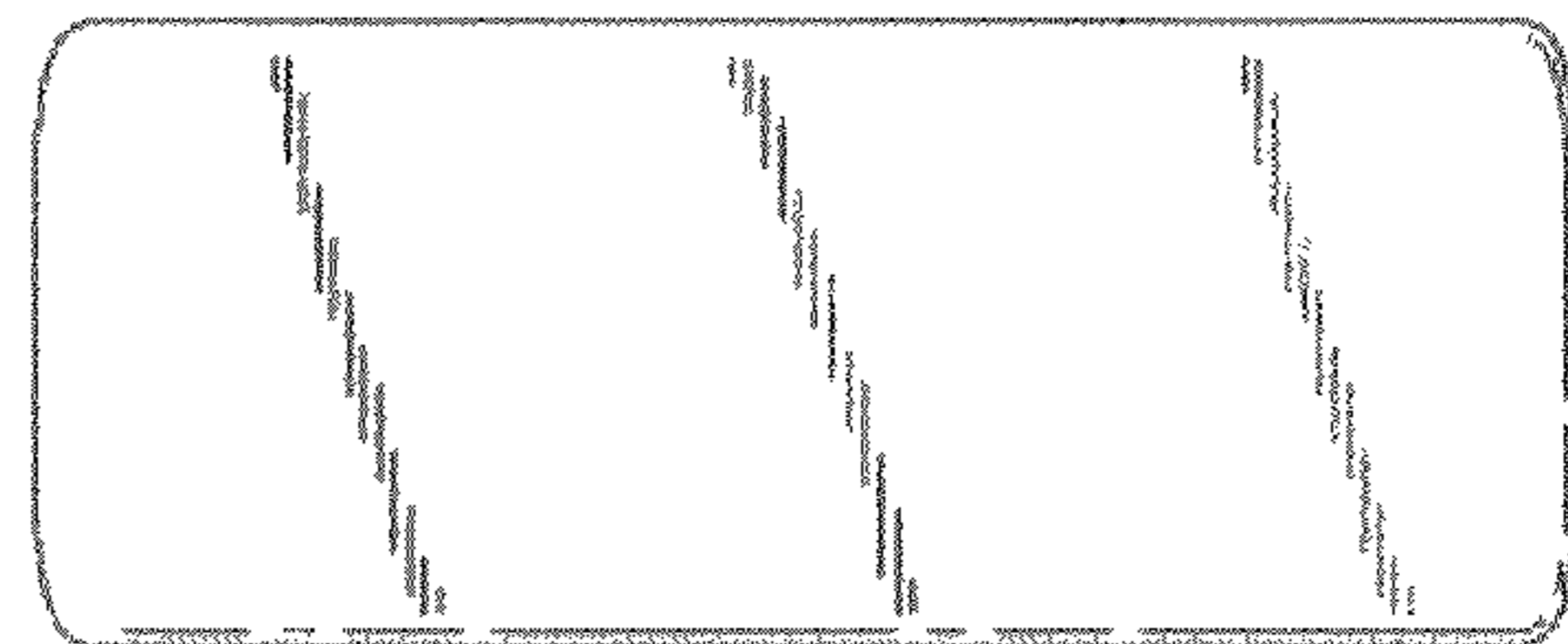


Fig. 9

UNITED STATES PATENT AND TRADEMARK OFFICE
CERTIFICATE OF CORRECTION

PATENT NO. : D653,827 S
APPLICATION NO. : 29/403036
DATED : February 7, 2012
INVENTOR(S) : In-Hwan Lee

Page 1 of 1

It is certified that error appears in the above-identified patent and that said Letters Patent is hereby corrected as shown below:

Title Page, Column 1, line 9,

(U.S. Patent Documents)

Delete "Enyuva" and insert -- Şenyuva --, therefor.

Signed and Sealed this
First Day of May, 2012

A handwritten signature in black ink that reads "David J. Kappos". The signature is written in a cursive style with a large initial "D" and "K".

David J. Kappos
Director of the United States Patent and Trademark Office