



US00D653824S

(12) **United States Design Patent**
Kim et al.

(10) **Patent No.:** **US D653,824 S**

(45) **Date of Patent:** **** Feb. 7, 2012**

(54) **VACUUM CLEANER**

(75) Inventors: **Joo Hyung Kim**, Seoul (KR); **Gwanwoo Shin**, Kyungki-Do (KR); **Hyun il Lee**, Seoul (KR); **Kyung Tae Kim**, Kyungki-Do (KR)

(73) Assignee: **Samsung Electronics Co., Ltd.**, Suwon-Si (KR)

(**) Term: **14 Years**

(21) Appl. No.: **29/366,243**

(22) Filed: **Jul. 22, 2010**

(51) **LOC (9) Cl.** **15-05**

(52) **U.S. Cl.** **D32/21**

(58) **Field of Classification Search** D32/21-24, D32/31; 15/327.1-327.7, 329, 412, 320-321; 55/DIG. 3, 345, 357, 429, 271; 95/271
See application file for complete search history.

(56) **References Cited**

U.S. PATENT DOCUMENTS

D187,065 S * 1/1960 Chapman D32/23
D212,257 S * 9/1968 Schaefer D32/23
D214,340 S * 6/1969 Schaefer D32/23

D233,645 S * 11/1974 Diehl D32/23
D258,821 S * 4/1981 Wareham et al. D32/23
D362,522 S * 9/1995 Kohler D32/23
D491,704 S * 6/2004 Shin D32/23
6,845,543 B2 * 1/2005 Kim 15/412
D583,115 S * 12/2008 Lam D32/21

* cited by examiner

Primary Examiner — Ruth McInroy

(74) *Attorney, Agent, or Firm* — Ladas & Parry LLP

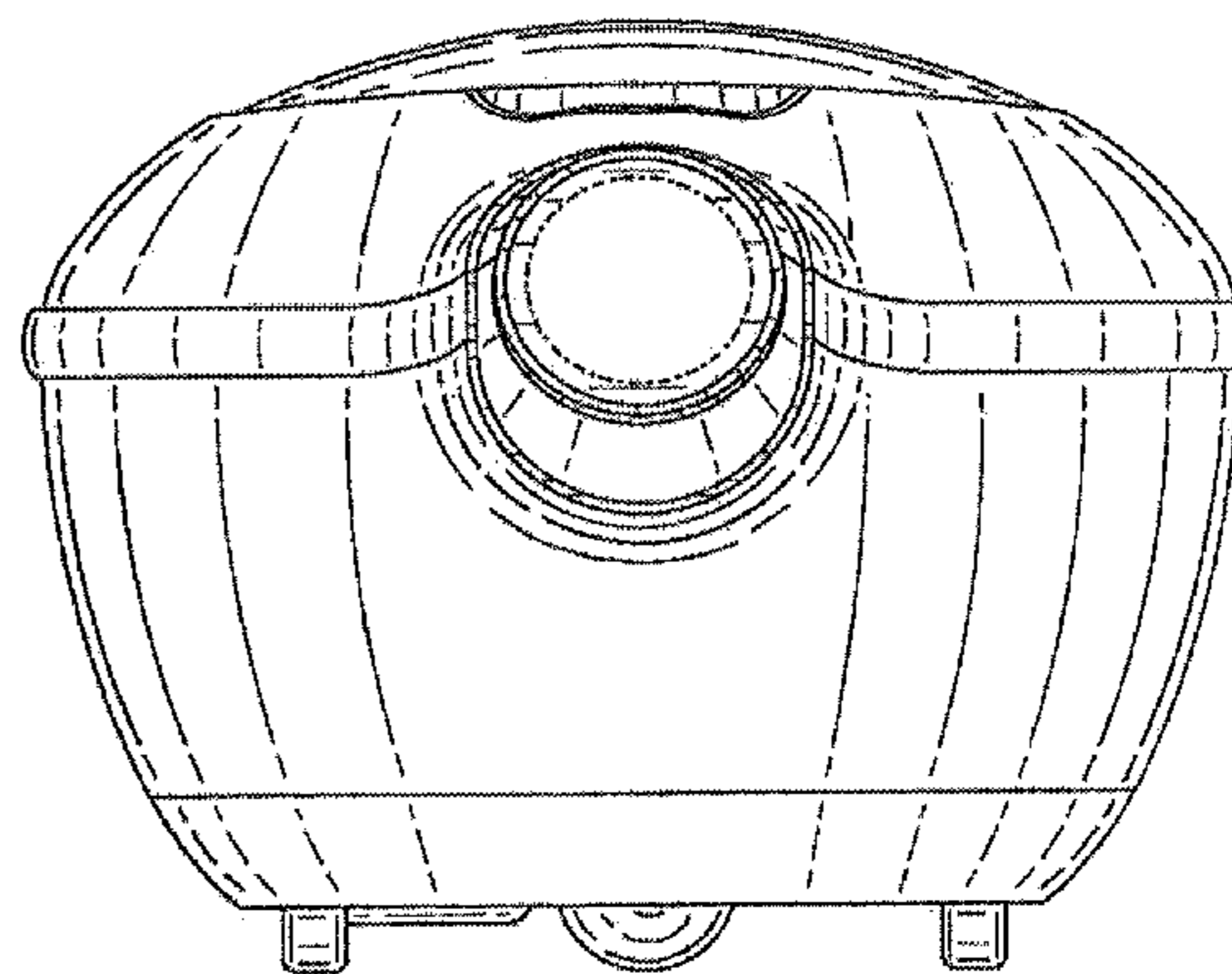
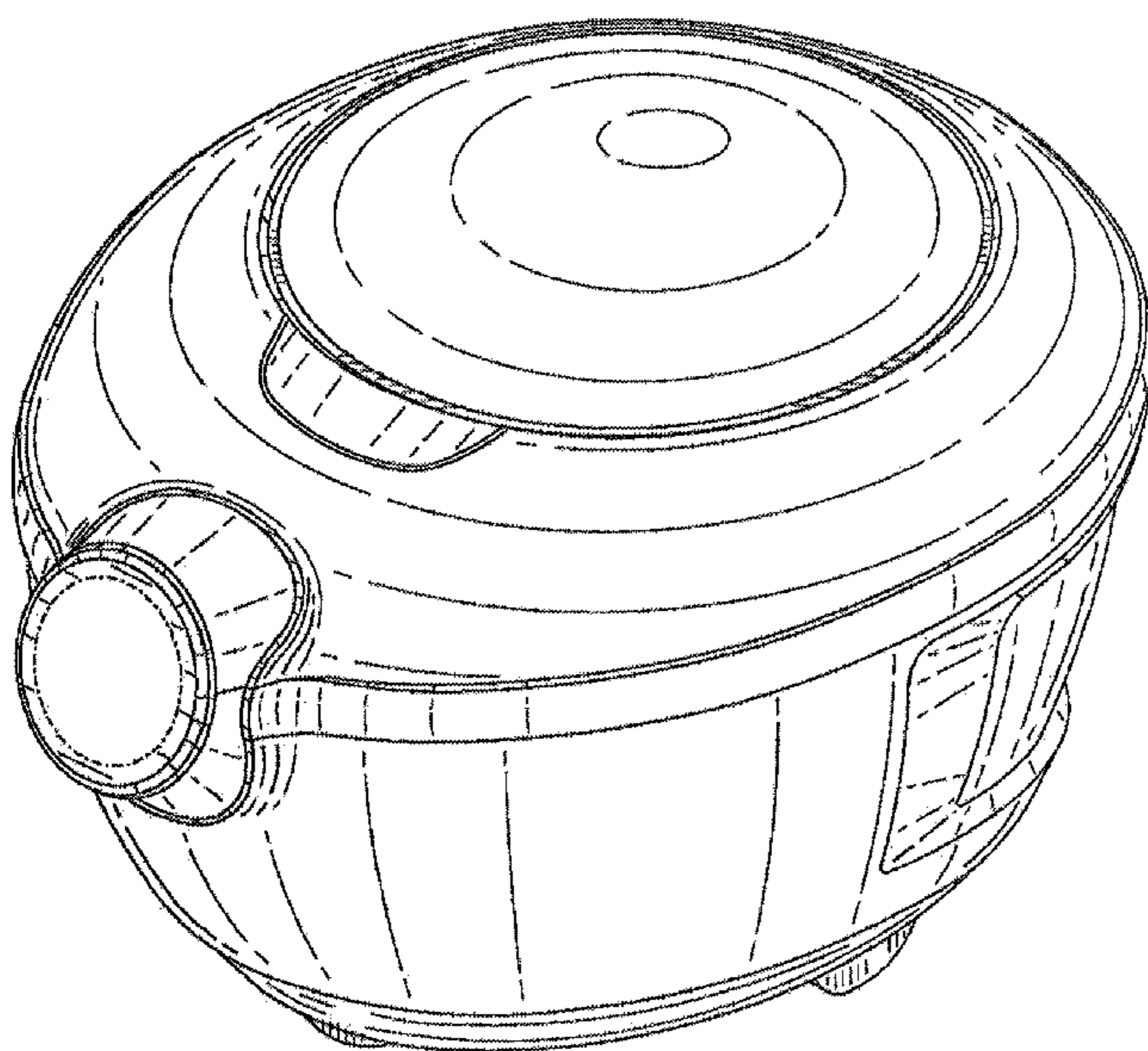
(57) **CLAIM**

We claim the ornamental design for a vacuum cleaner, as shown and described.

DESCRIPTION

FIG. 1 is a top, front and right-side perspective view of a vacuum cleaner showing our new design; FIG. 2 is a front elevational view thereof; FIG. 3 is a rear elevational view thereof; FIG. 4 is a left-side elevational view thereof; FIG. 5 is a right-side elevational view thereof; FIG. 6 is a top plan view thereof; and, FIG. 7 is a bottom plan view thereof.

1 Claim, 5 Drawing Sheets



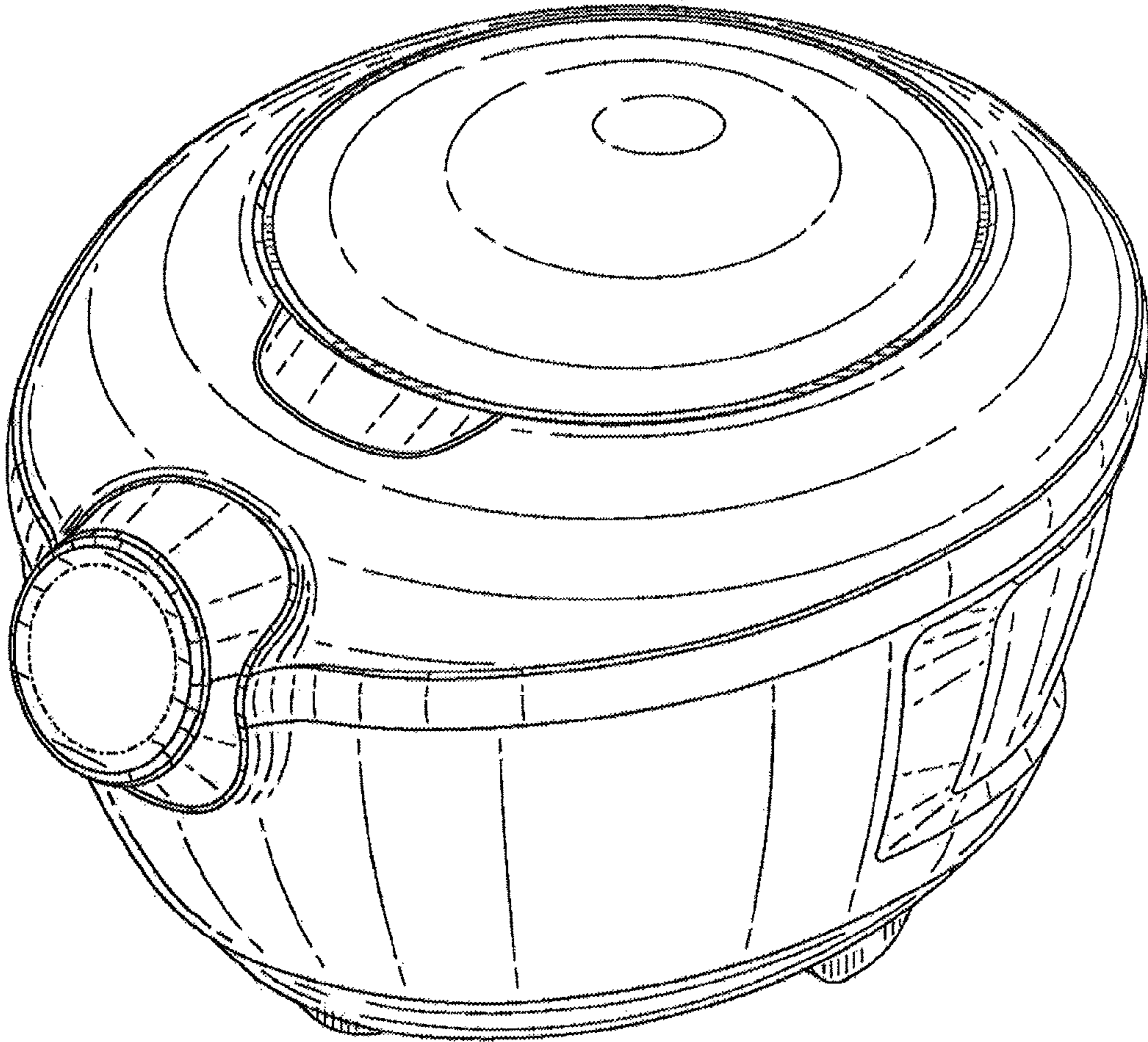


FIG. 1

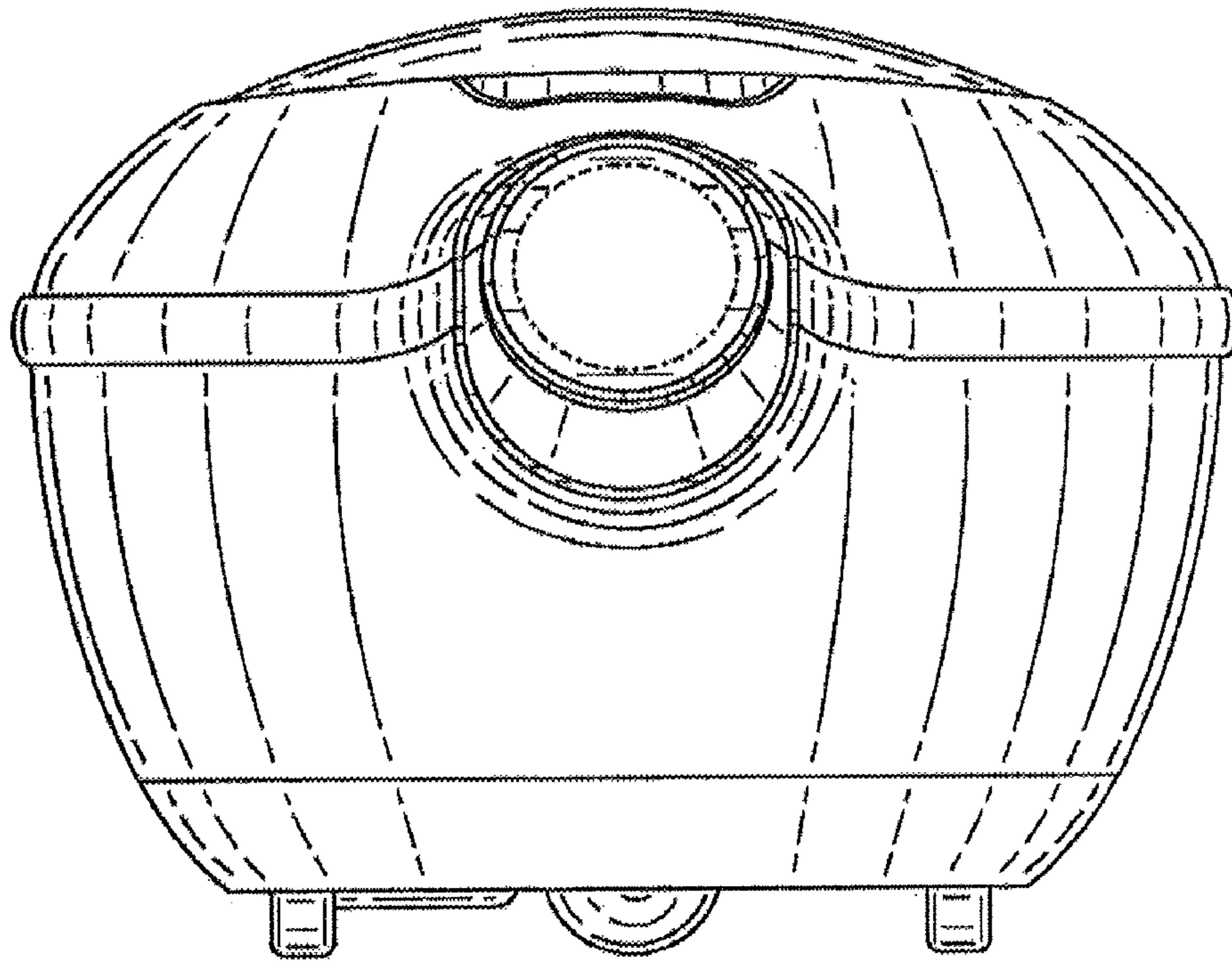


FIG. 2

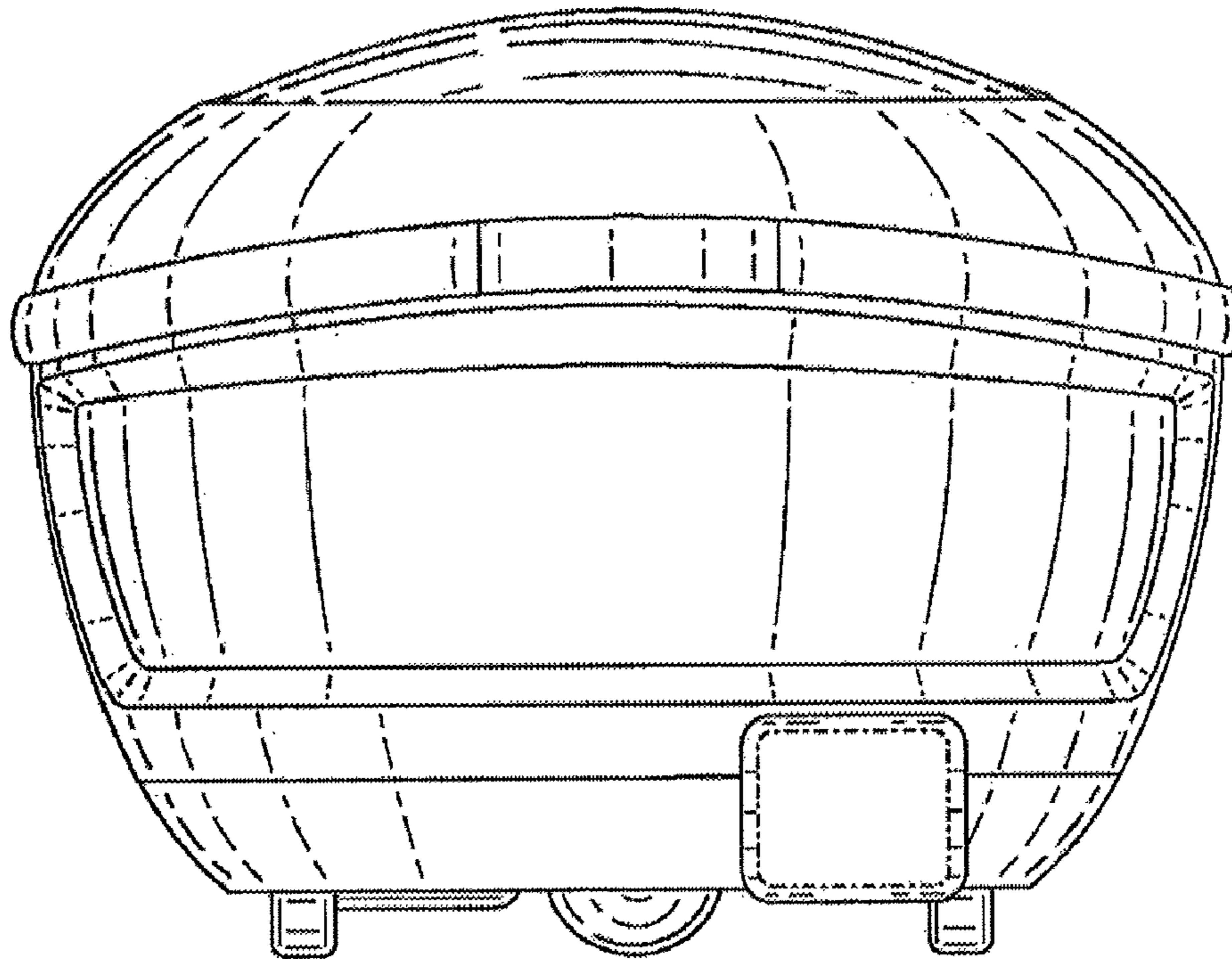


FIG. 3

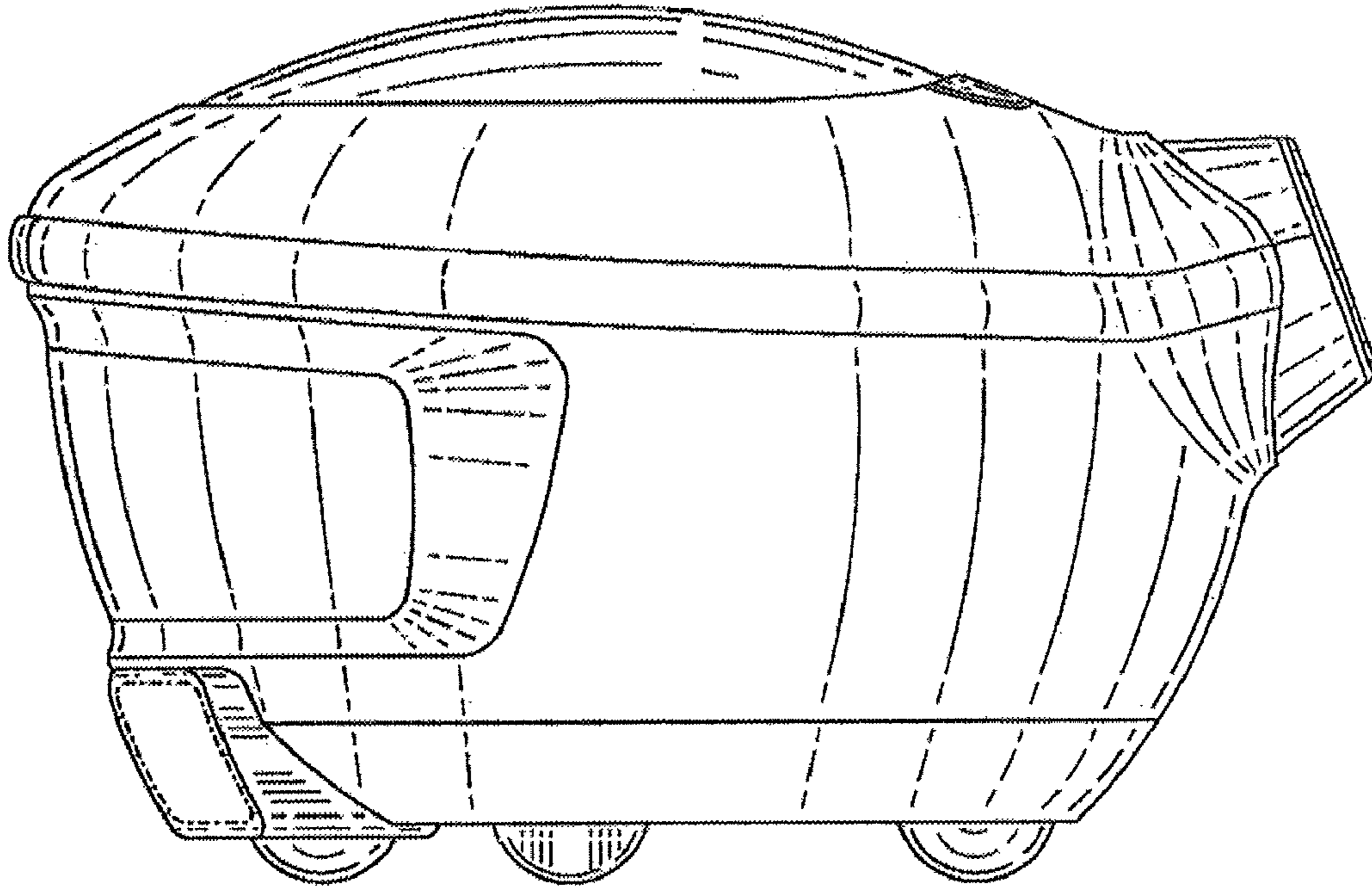


FIG. 4

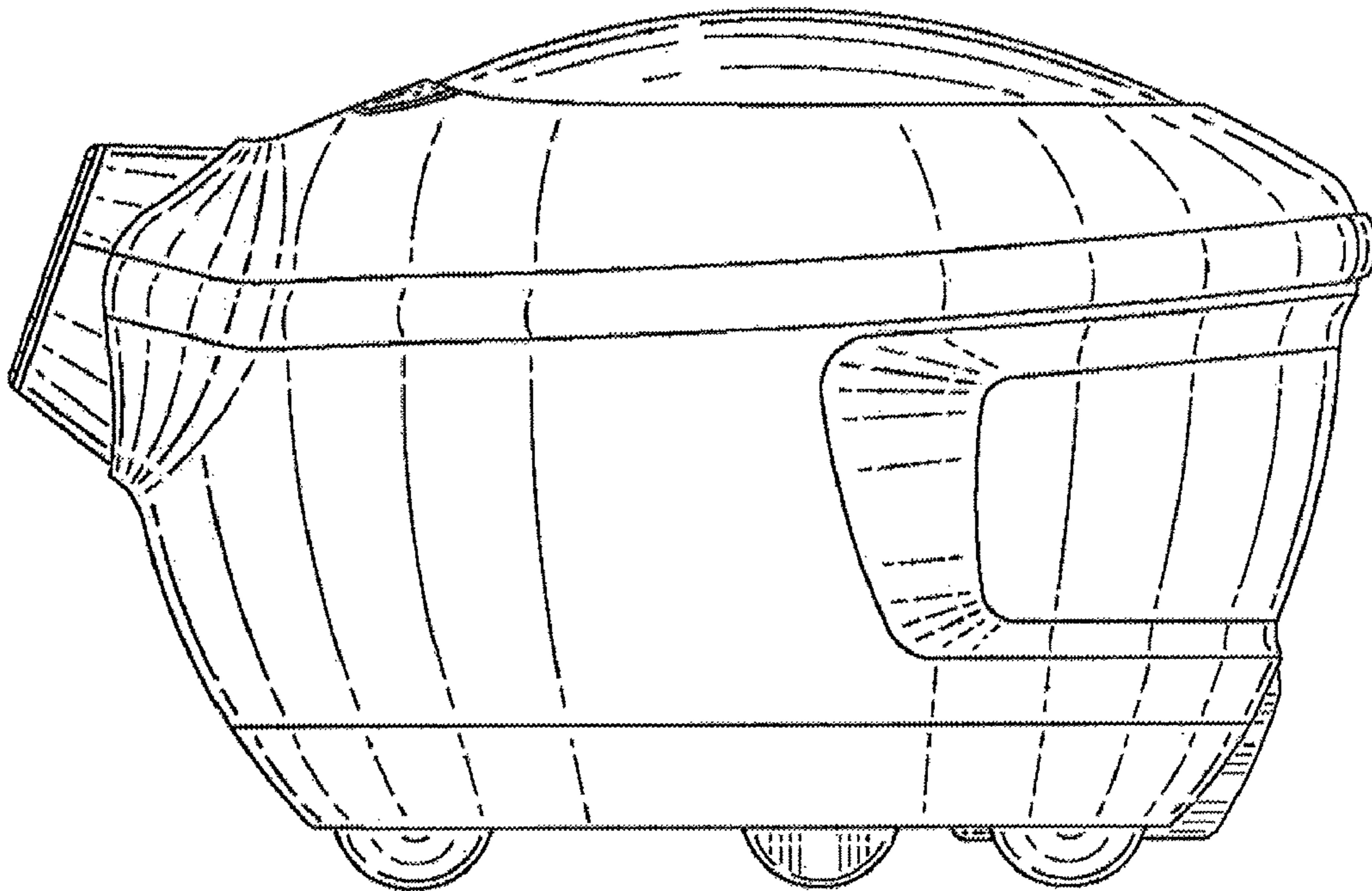


FIG. 5

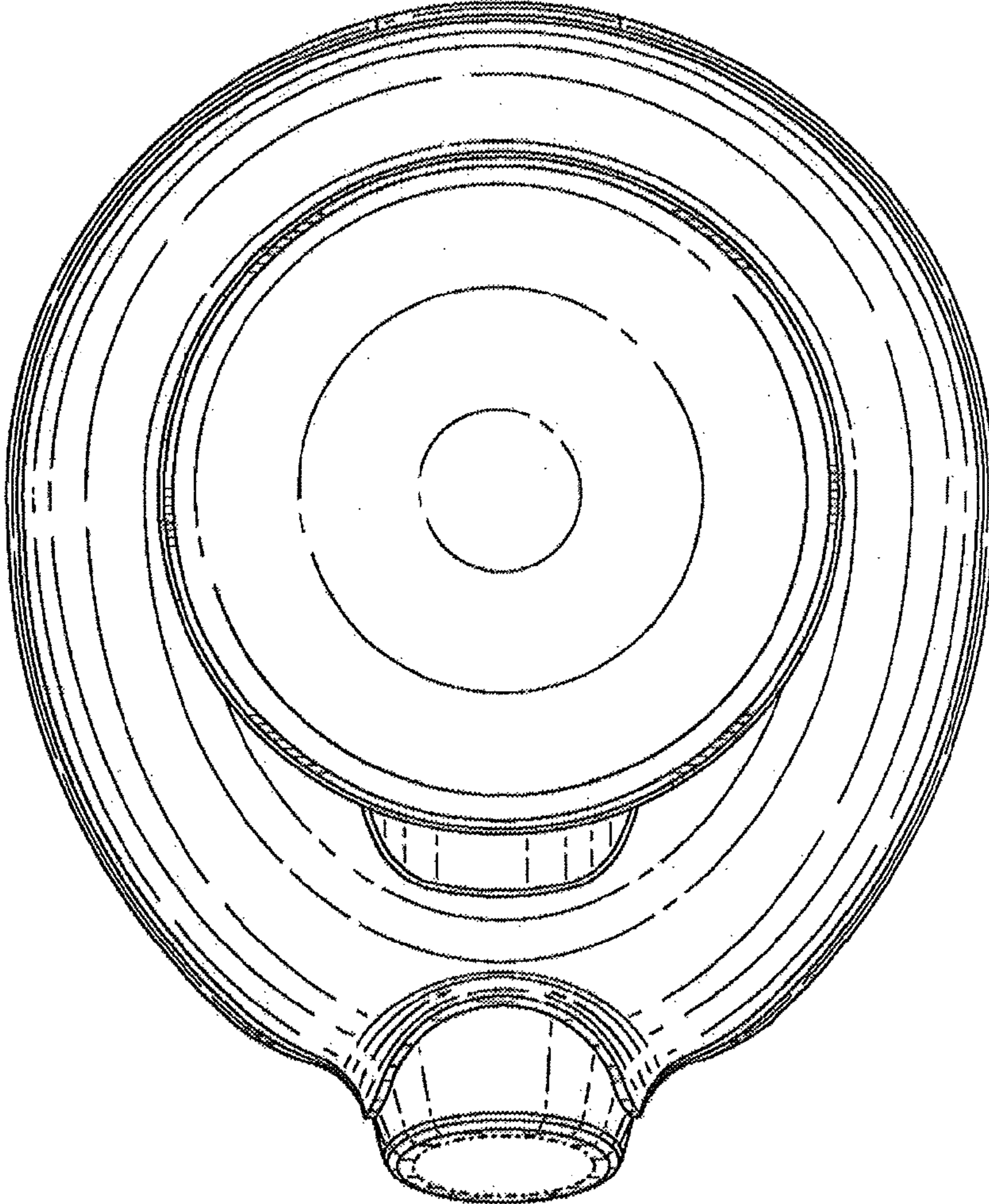


FIG. 6

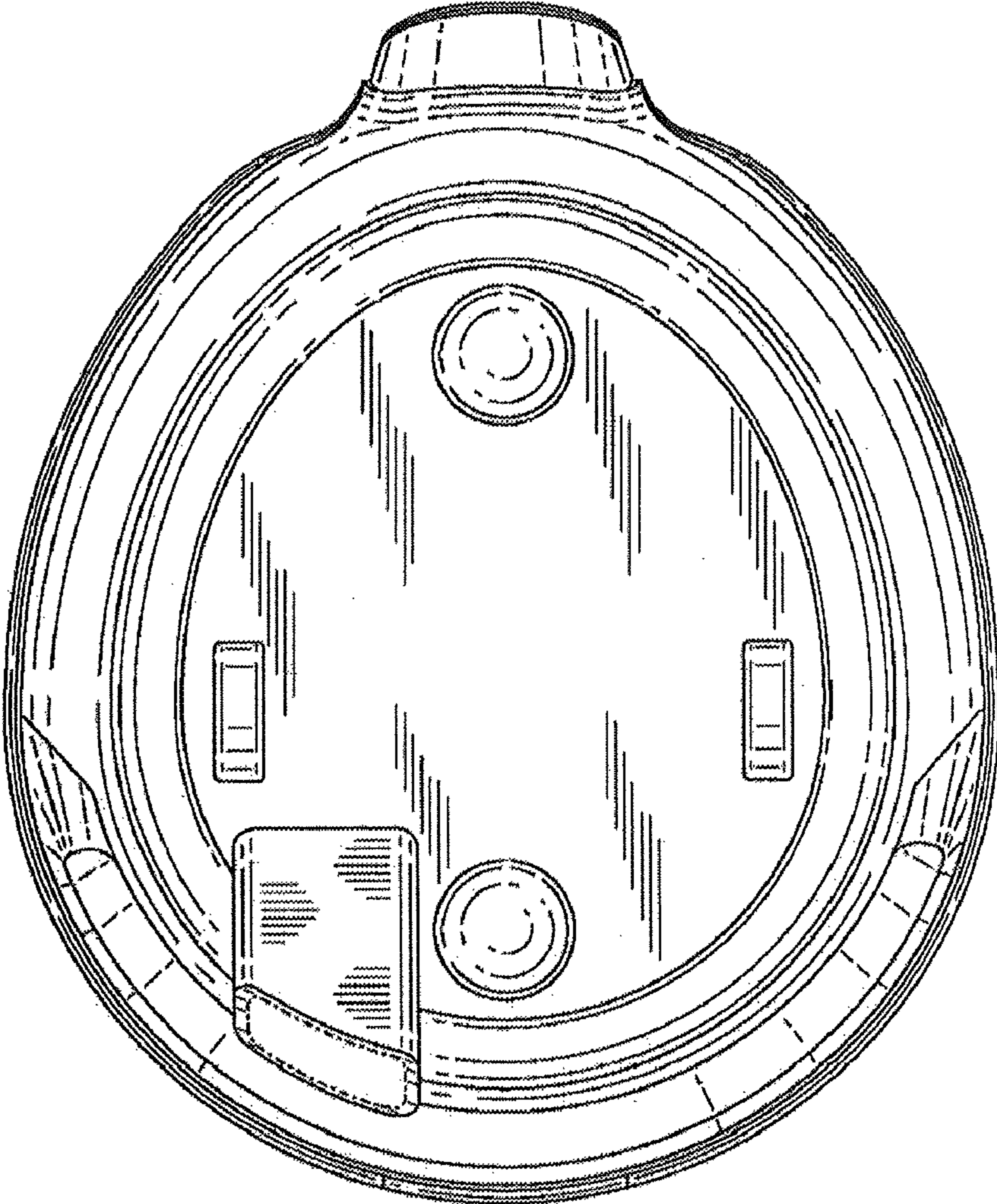


FIG. 7