



US00D653823S

(12) **United States Design Patent**
Kim et al.

(10) **Patent No.:** **US D653,823 S**
(45) **Date of Patent:** **** Feb. 7, 2012**

(54) **VACUUM CLEANER**

(75) Inventors: **Joo Hyung Kim**, Pusan (KR); **Kang Doo Kim**, Kyunggi-do (KR); **Eun Sun Lim**, Seoul (KR); **Hyun Il Lee**, Seoul (KR); **Dae Kyun Lee**, Seoul (KR)

(73) Assignee: **Samsung Electronics Co., Ltd.**, Suwon-si (KR)

(**) Term: **14 Years**

(21) Appl. No.: **29/355,908**

(22) Filed: **Feb. 17, 2010**

(51) **LOC (9) Cl.** **15-05**

(52) **U.S. Cl.** **D32/21**

(58) **Field of Classification Search** D32/21-24, D32/31; 15/327.1-327.7, 329, 412, 320-321; 55/DIG. 3, 345, 357, 429, 271; 95/271
See application file for complete search history.

(56) **References Cited**

U.S. PATENT DOCUMENTS

D550,910 S * 9/2007 Shin D32/21
D551,403 S * 9/2007 Shin D32/21

D552,310 S * 10/2007 Shin D32/21
D552,811 S * 10/2007 Shin D32/21
D553,311 S * 10/2007 Shin D32/21
D553,812 S * 10/2007 Shin D32/21
D554,308 S * 10/2007 Shin D32/21
D565,813 S * 4/2008 Shin D32/21
D620,653 S * 7/2010 Lee et al. D32/21
D620,654 S * 7/2010 Kim D32/21

* cited by examiner

Primary Examiner — Ruth McInroy

(74) *Attorney, Agent, or Firm* — Ladas & Parry LLP

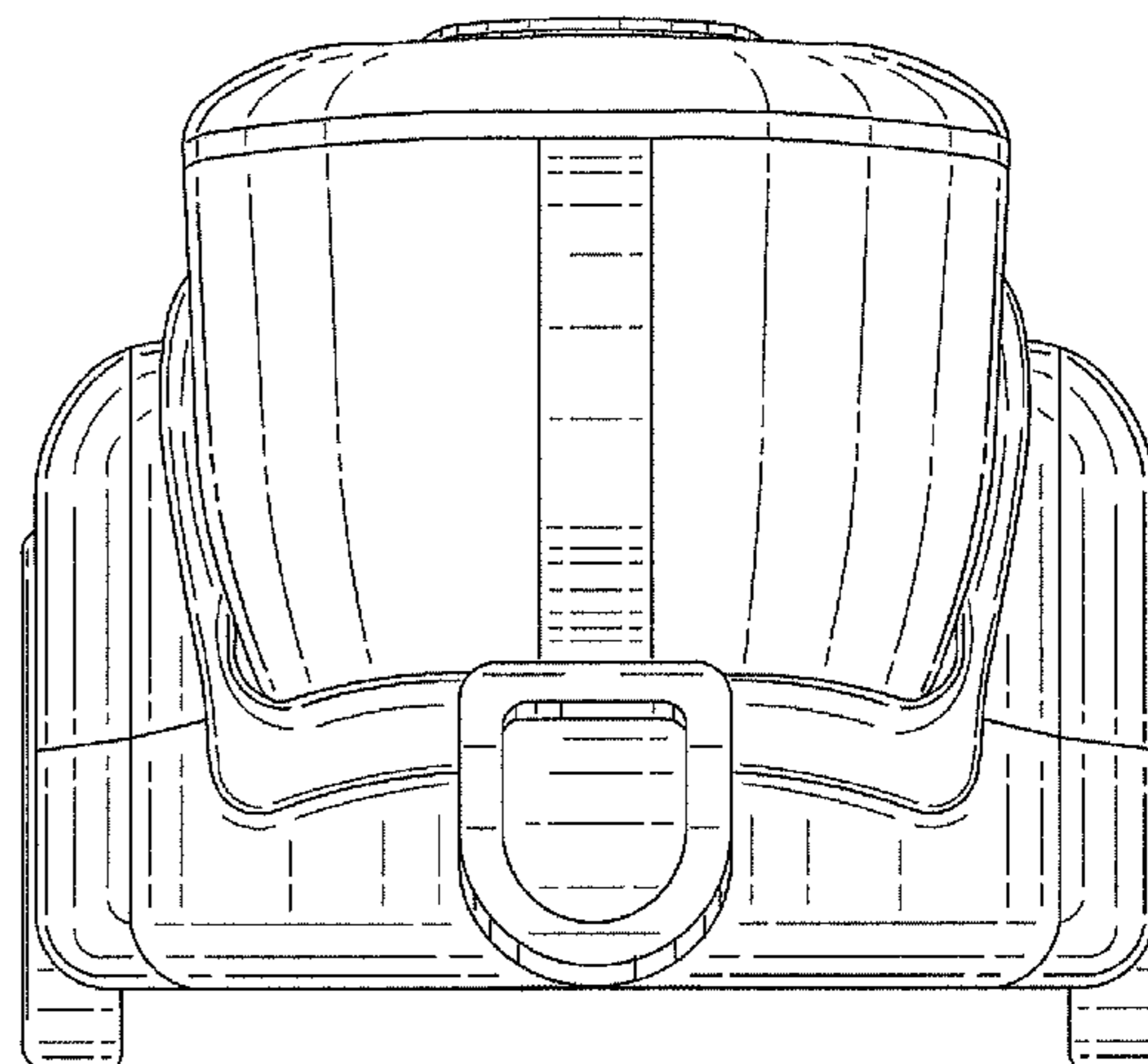
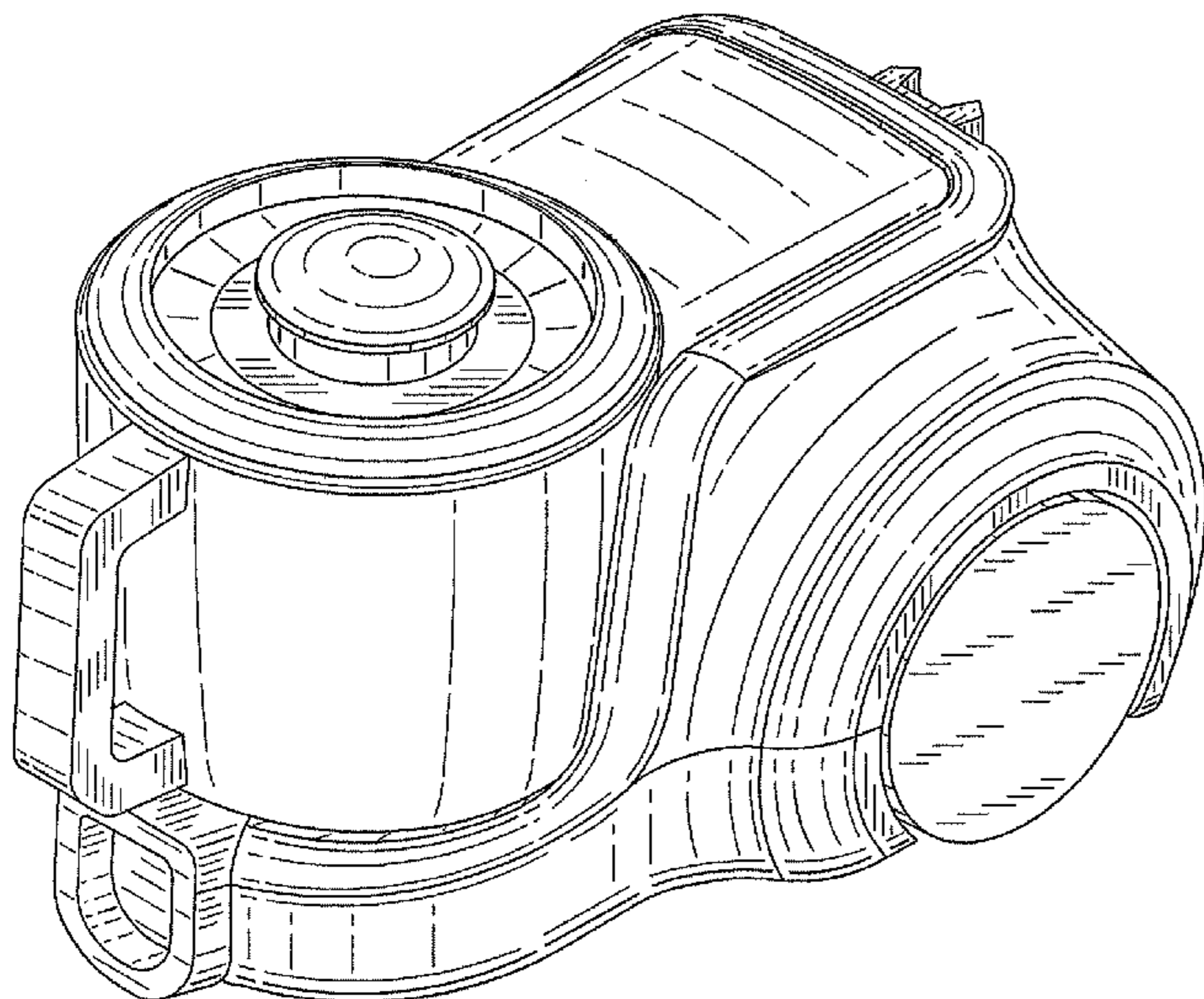
(57) **CLAIM**

We claim the ornamental design for a vacuum cleaner, as shown and described.

DESCRIPTION

FIG. 1 is a top, front and right-side perspective view of a vacuum cleaner showing our new design;
FIG. 2 is a front elevational view thereof;
FIG. 3 is a rear elevational view thereof;
FIG. 4 is a left-side elevational view thereof;
FIG. 5 is a right-side elevational view thereof;
FIG. 6 is a top plan view thereof; and,
FIG. 7 is a bottom plan view thereof.

1 Claim, 6 Drawing Sheets



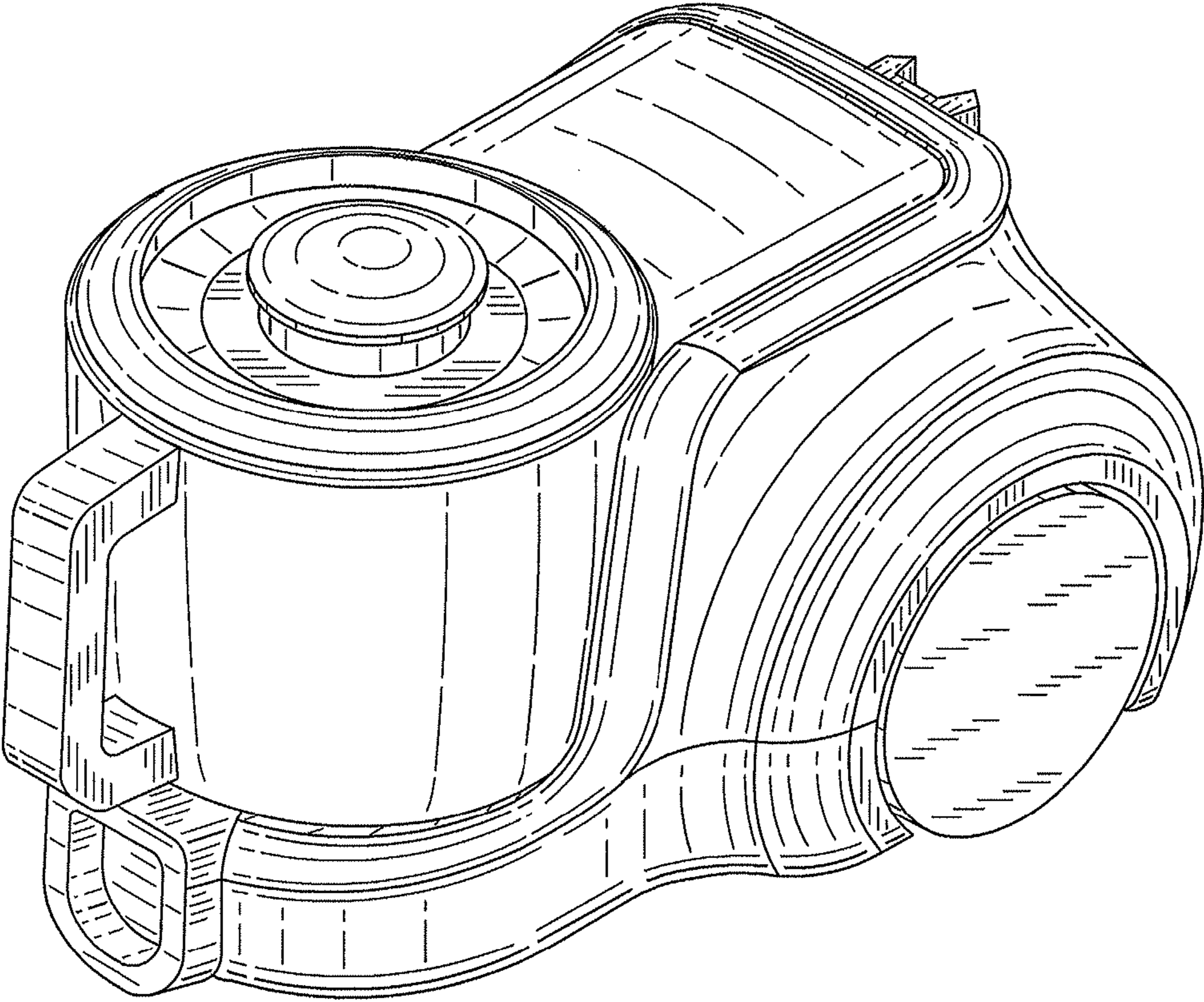


FIG. 1

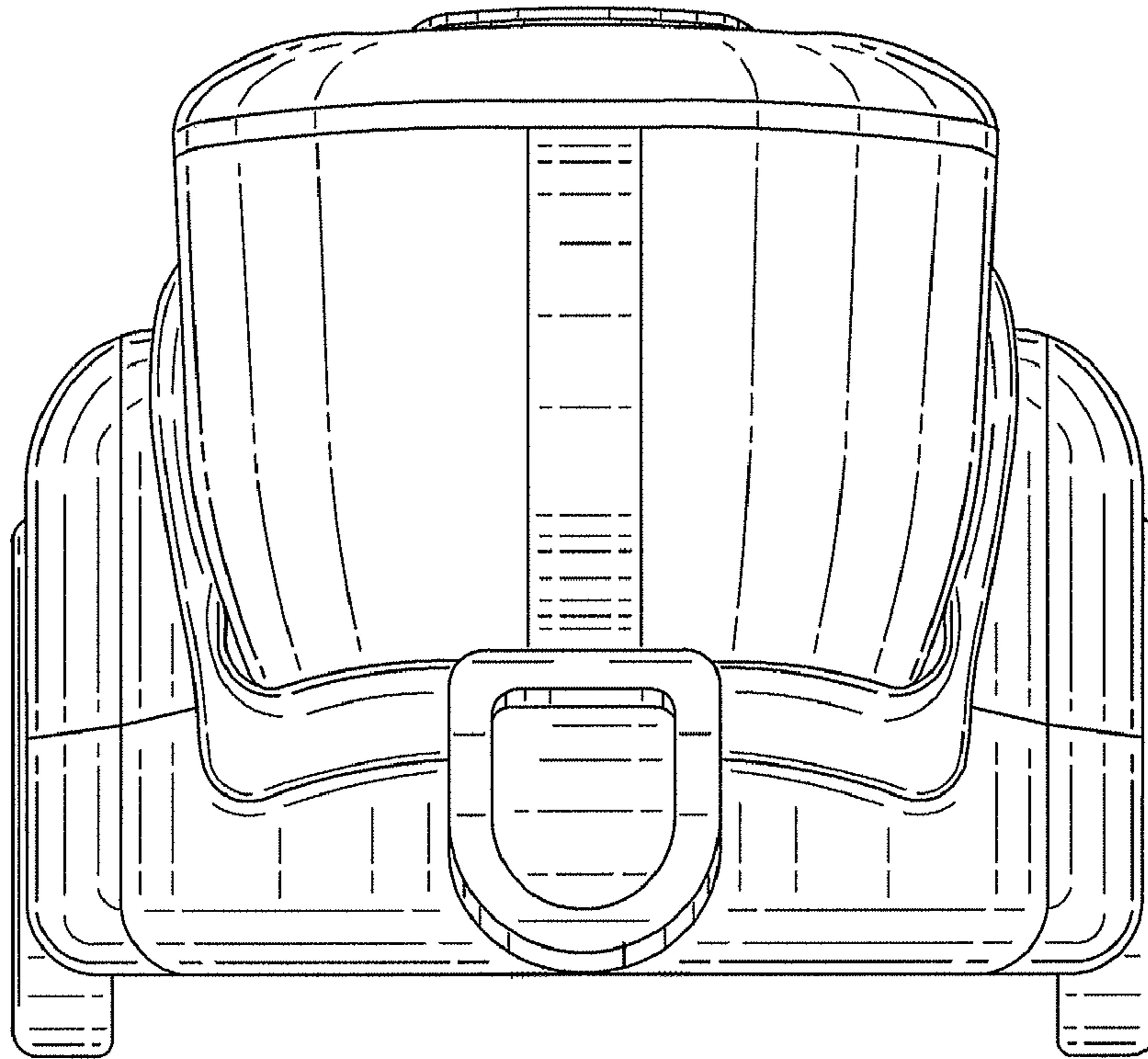


FIG. 2

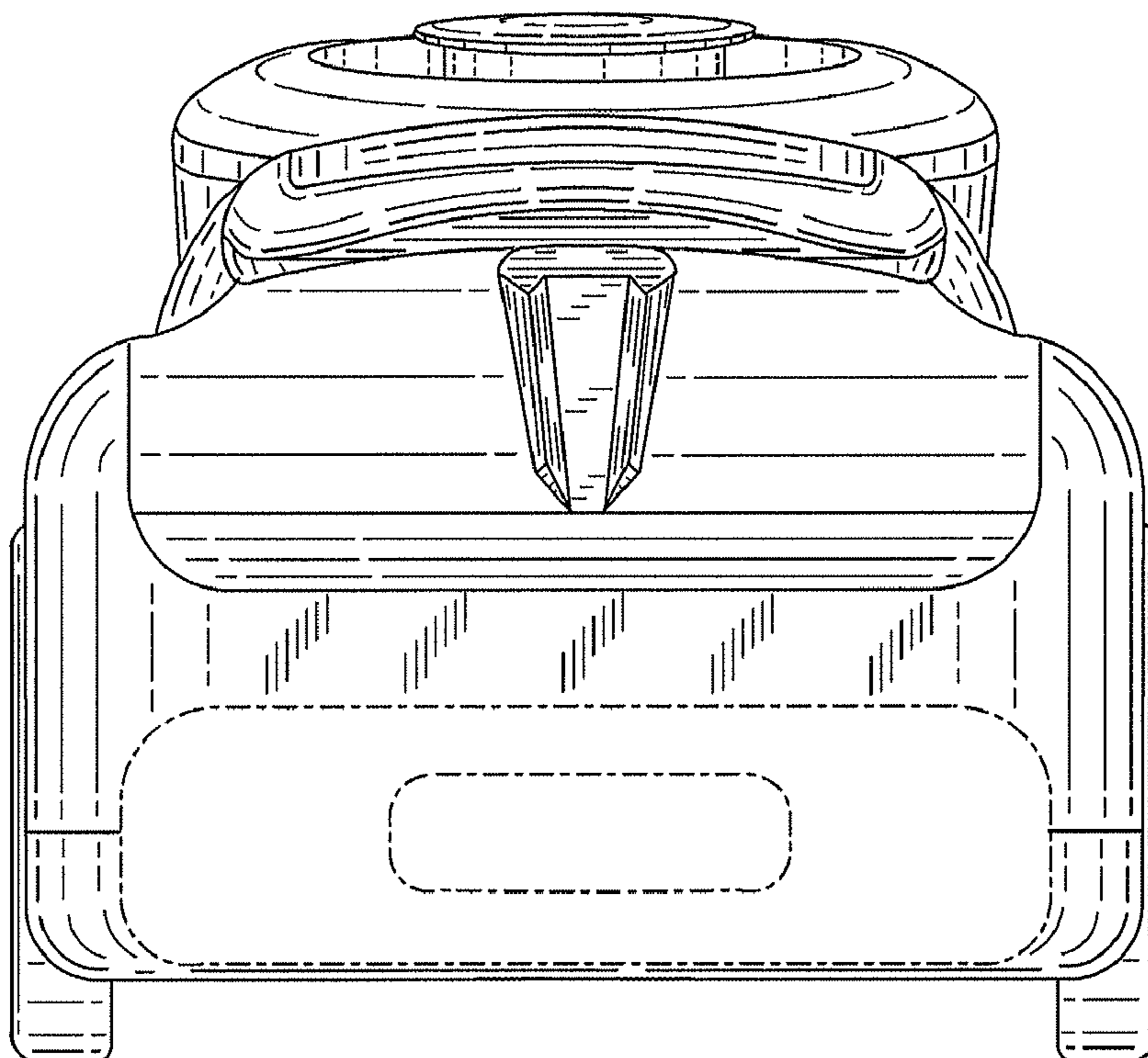


FIG. 3

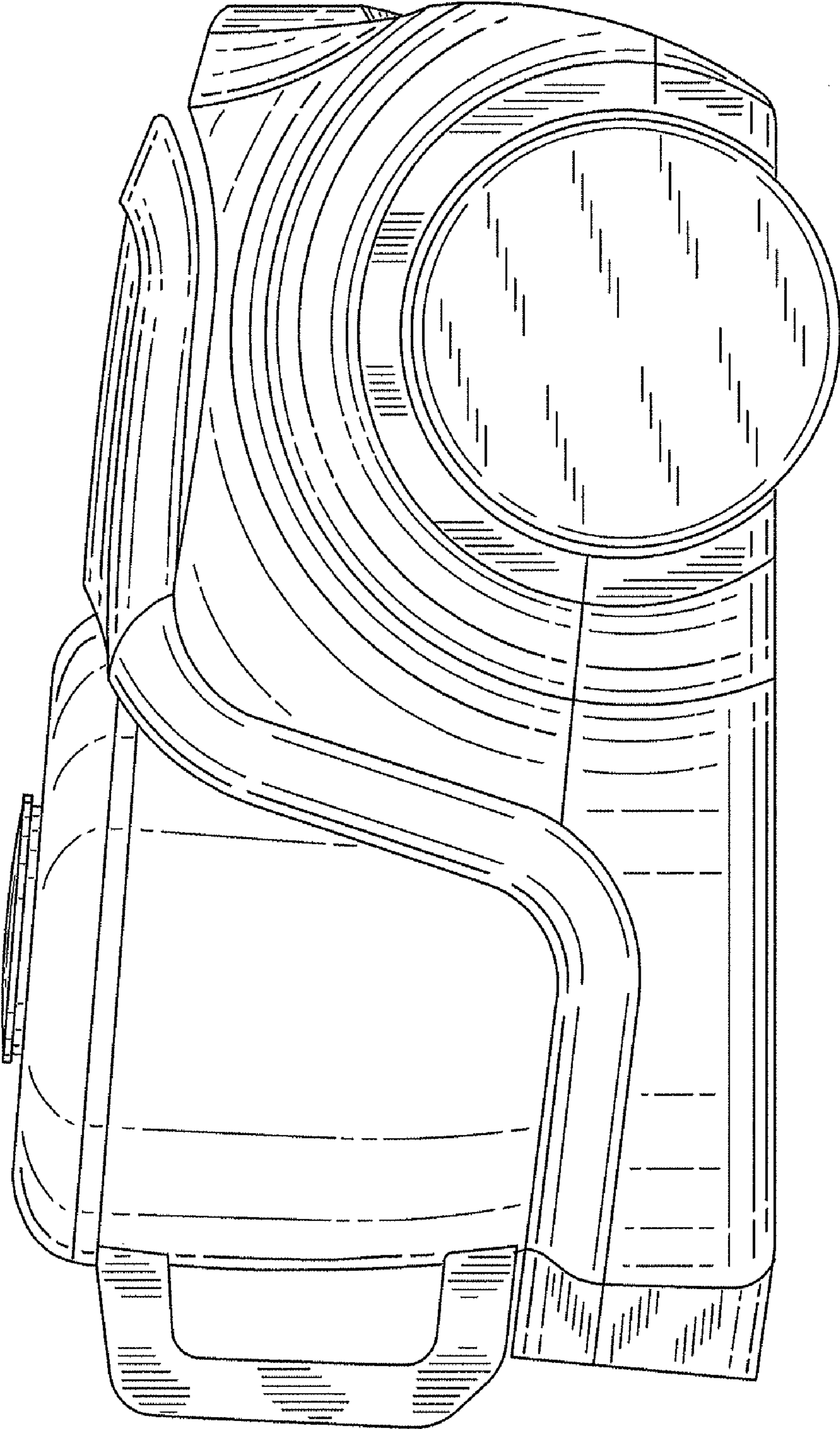


FIG. 4

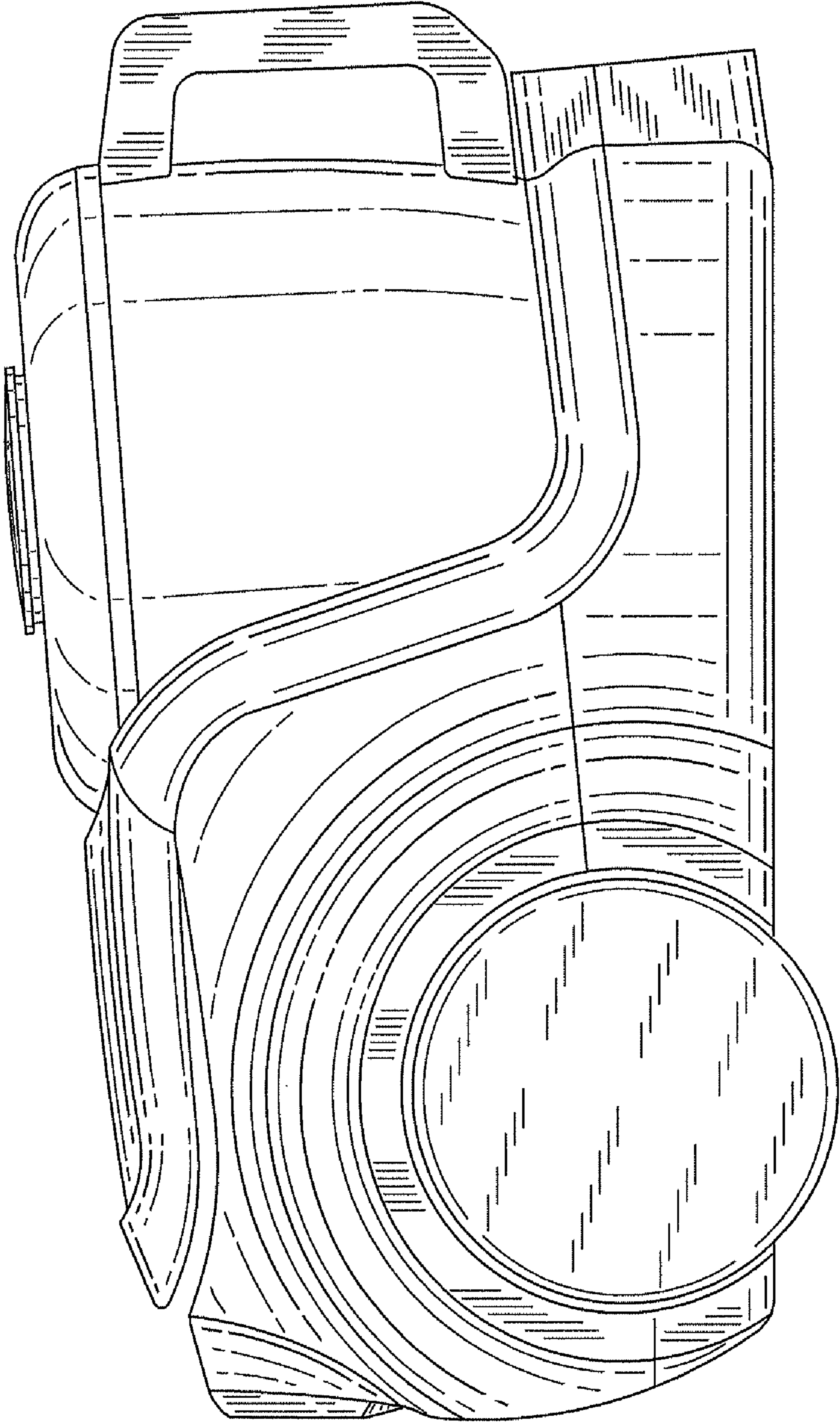


FIG. 5

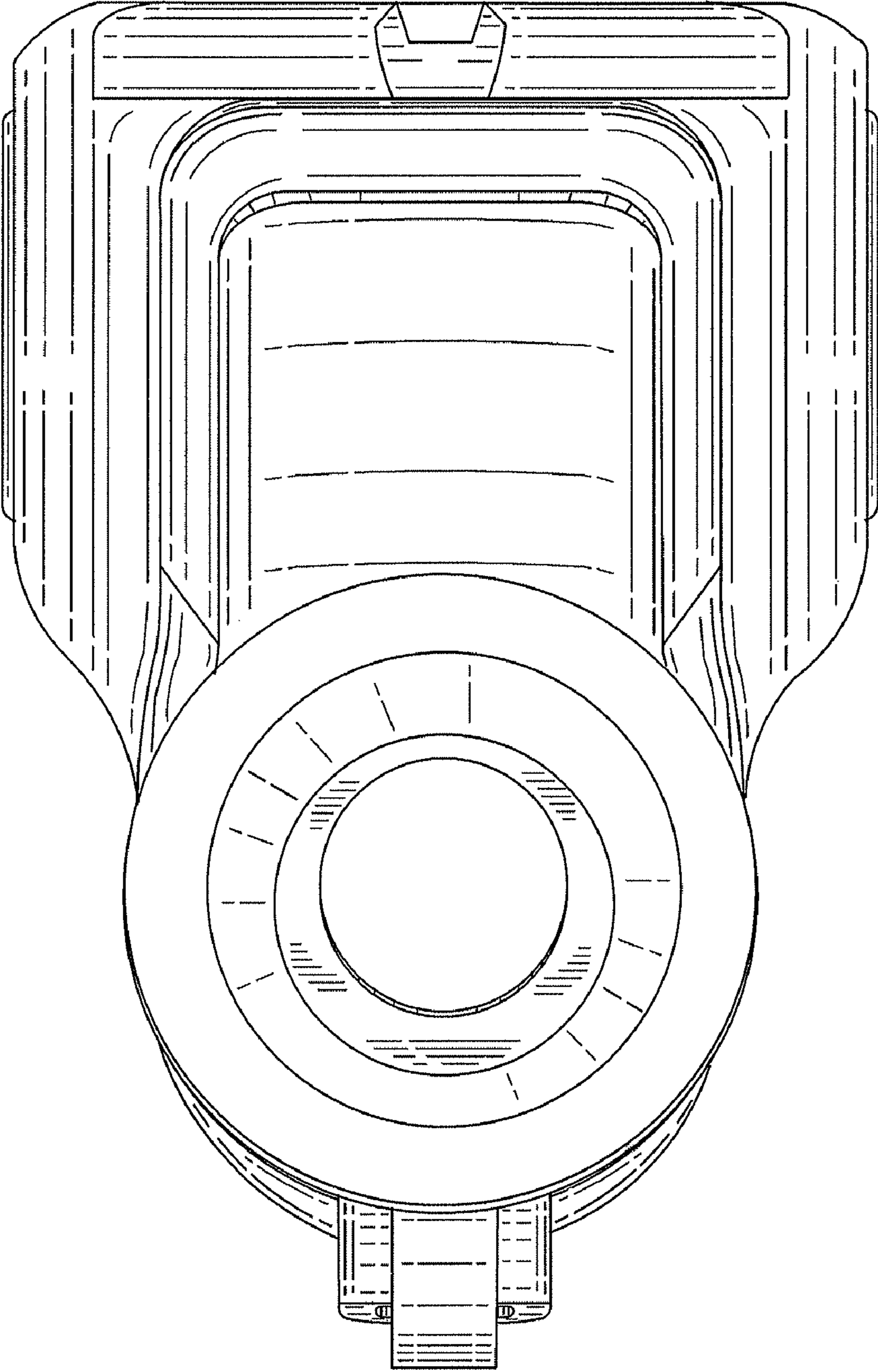


FIG. 6

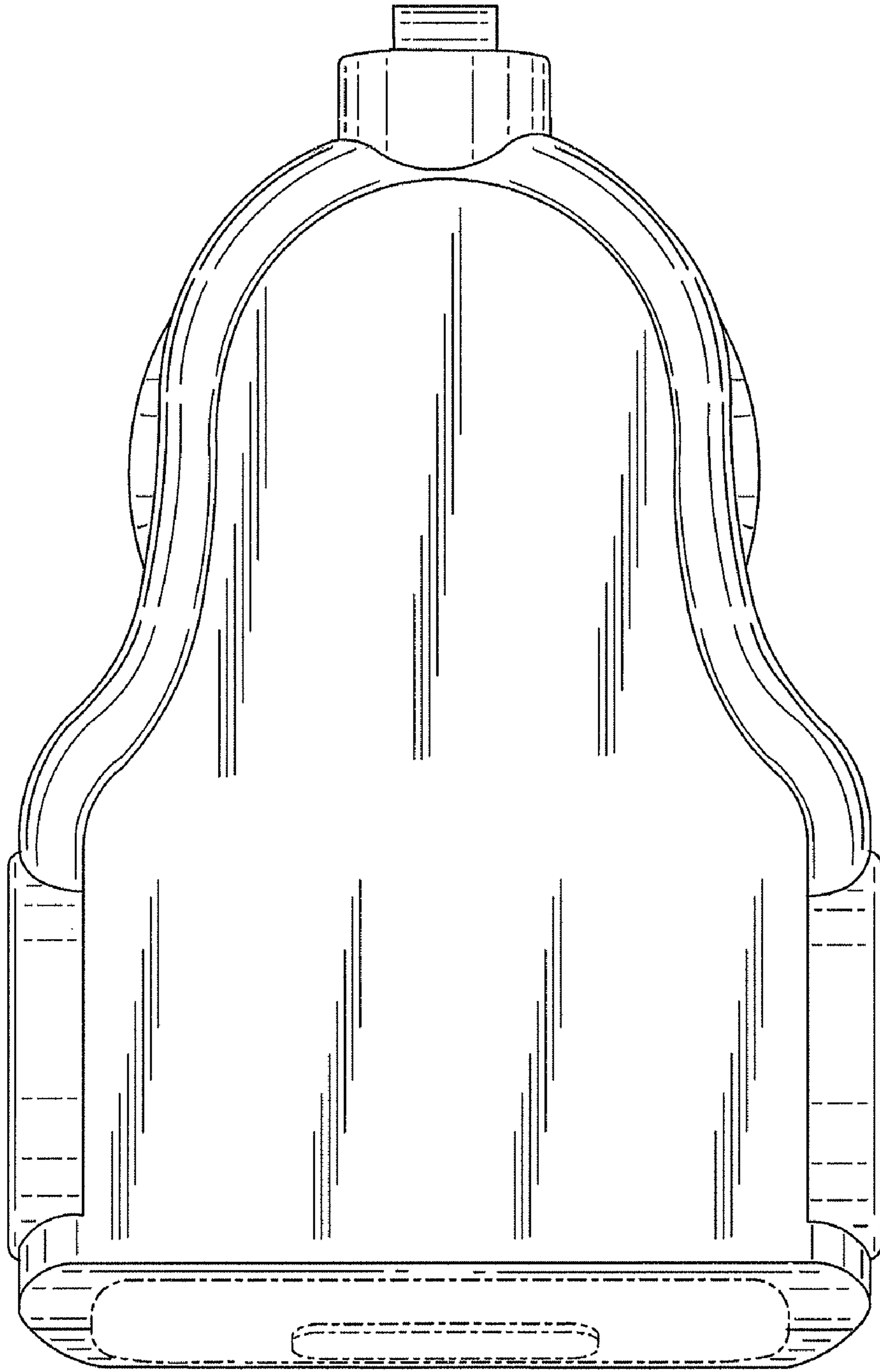


FIG. 7