



US00D653820S

(12) **United States Design Patent**  
**Haaf**

(10) **Patent No.:** **US D653,820 S**  
(45) **Date of Patent:** **\*\* Feb. 7, 2012**

(54) **CAT SCRATCHER**

(75) Inventor: **David Haaf**, San Rafael, CA (US)

(73) Assignee: **Worldwise, Inc.**, San Rafael, CA (US)

(\*\*) Term: **14 Years**

(21) Appl. No.: **29/381,902**

(22) Filed: **Dec. 24, 2010**

(51) **LOC (9) Cl.** ..... **30-99**

(52) **U.S. Cl.** ..... **D30/160**

(58) **Field of Classification Search** ..... D30/118,  
D30/158, 160; D6/349, 601; 119/28.5, 702,  
119/705-710

See application file for complete search history.

(56) **References Cited**

**U.S. PATENT DOCUMENTS**

2,593,319	A *	4/1952	Levitin et al.	.....	D30/160
3,159,141	A *	12/1964	Paterek	.....	119/706
D238,792	S *	2/1976	White	.....	D30/158
3,993,027	A *	11/1976	Mullin	.....	119/706
4,112,873	A *	9/1978	Van Zandt	.....	119/706
D254,815	S *	4/1980	Kossar	.....	D30/158

D322,872	S *	12/1991	Holbrook	.....	D30/160
D364,202	S *	11/1995	Benson	.....	D21/686
D440,717	S *	4/2001	Fazio	.....	119/706
D585,607	S *	1/2009	Rosenblatt	.....	D30/160
D604,018	S *	11/2009	Simpson et al.	.....	D30/160
D648,078	S *	11/2011	Haaf	.....	D30/160
2009/0188439	A1 *	7/2009	Simpson et al.	.....	119/706

\* cited by examiner

*Primary Examiner* — Cathy A MacCormac

(74) *Attorney, Agent, or Firm* — Bay Area Technology Law Group PC

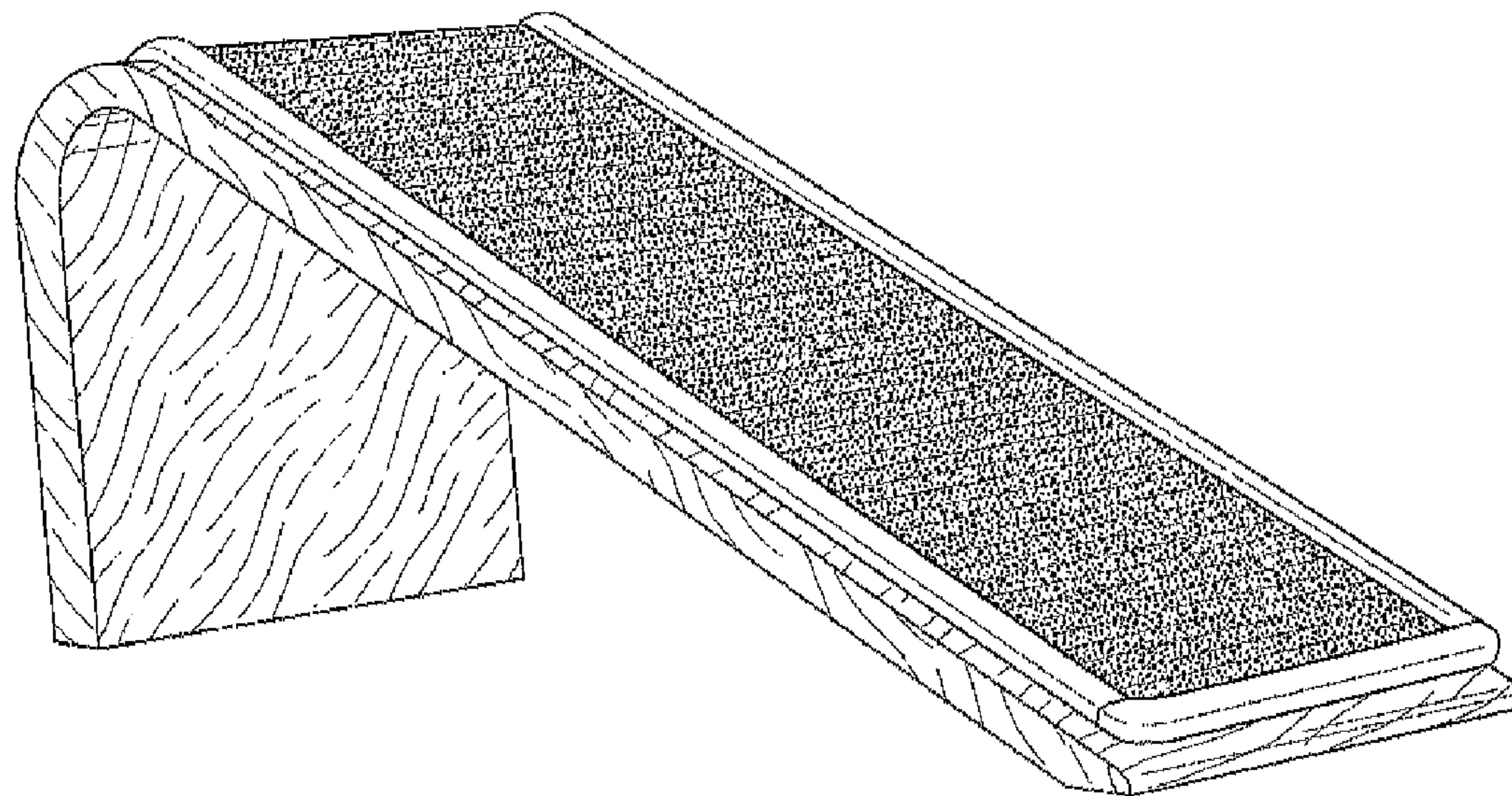
(57) **CLAIM**

The ornamental design for a cat scratcher, as shown and described.

**DESCRIPTION**

FIG. 1 is a perspective view of a cat scratcher showing my new design; to FIG. 2 is a left side view of FIG. 1; FIG. 3 is a right side view of FIG. 1; FIG. 4 is a top plan view of FIG. 1; FIG. 5 is a bottom plan view of FIG. 1; FIG. 6 is a front view of FIG. 1; and, FIG. 7 is a rear view of FIG. 1.

**1 Claim, 2 Drawing Sheets**



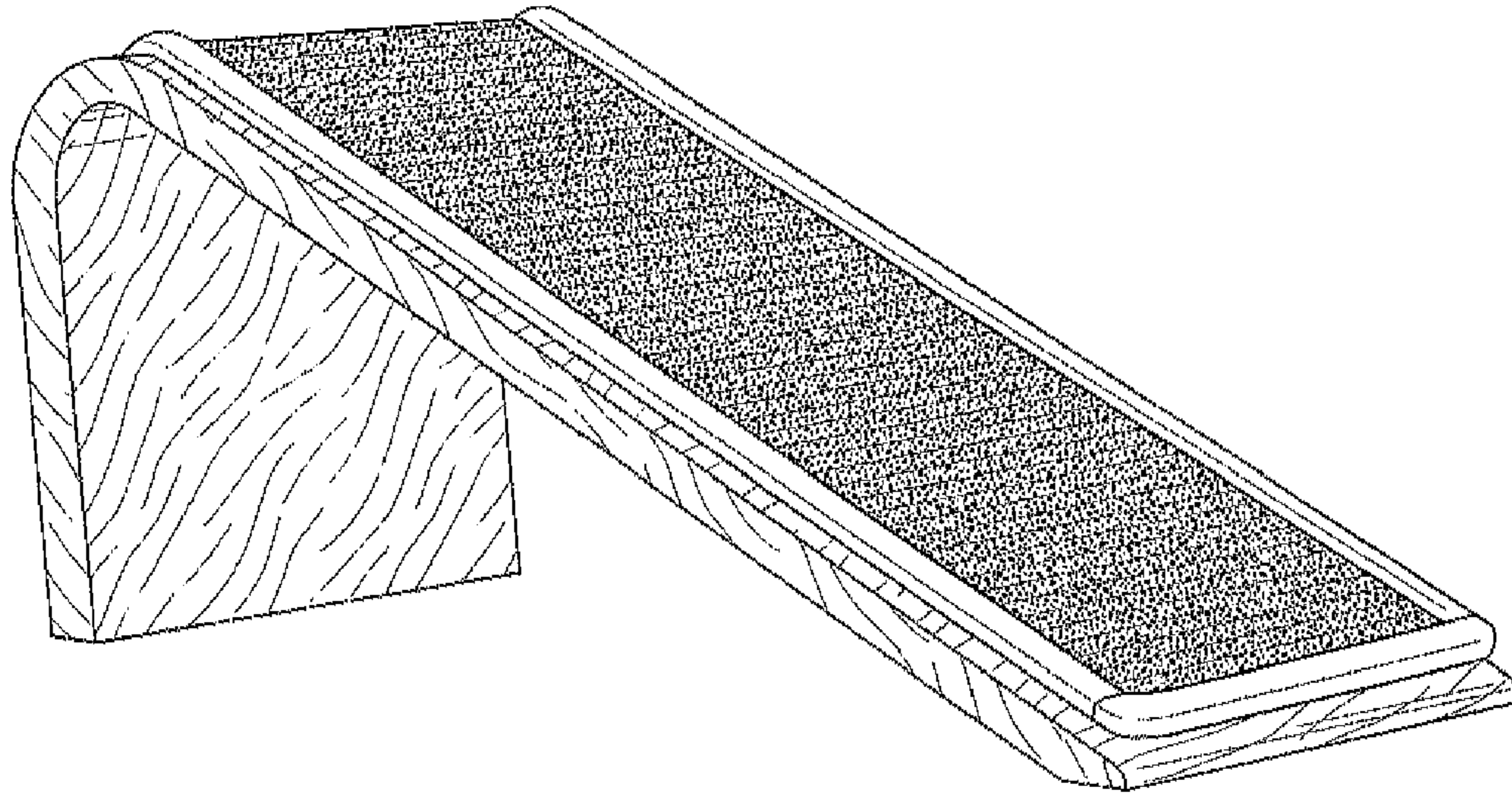


FIG. 1

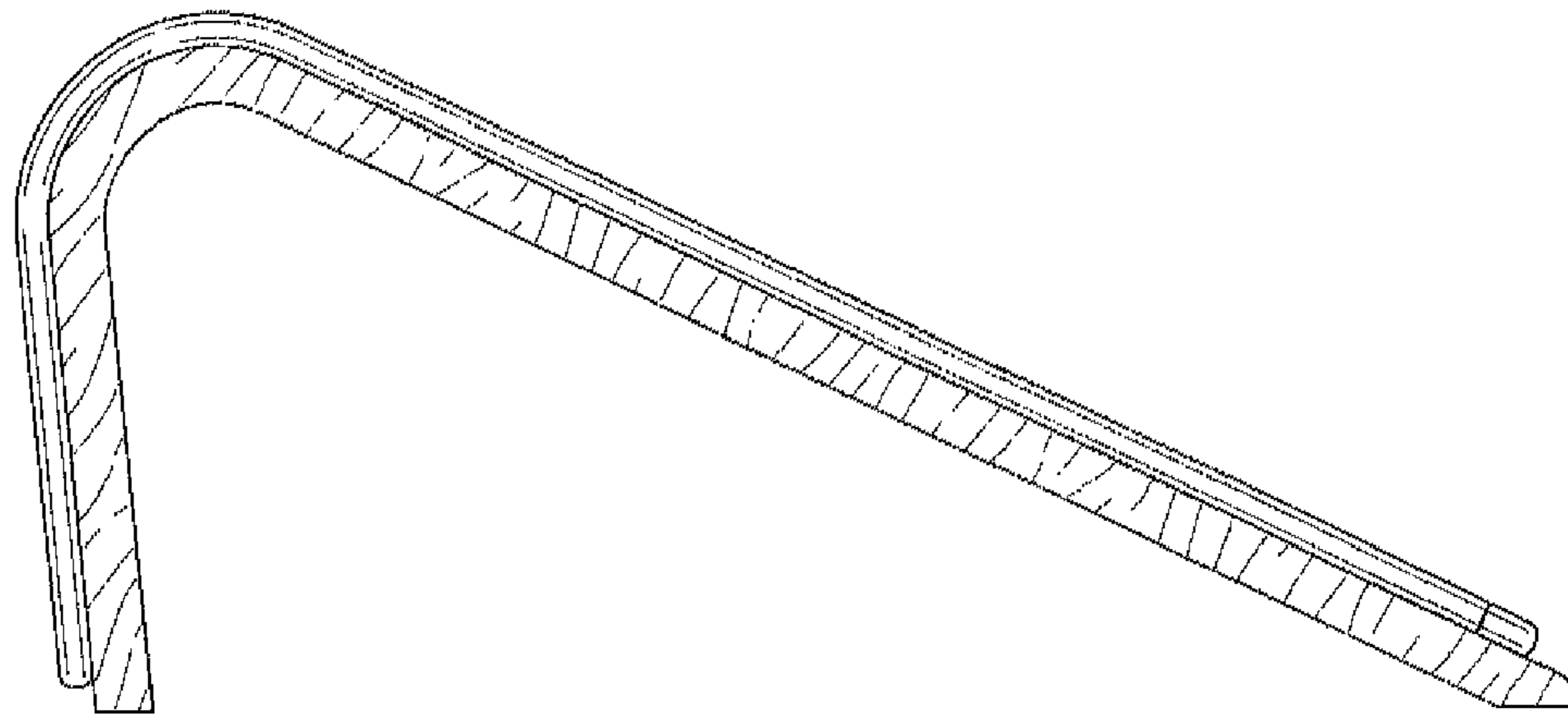


FIG. 2

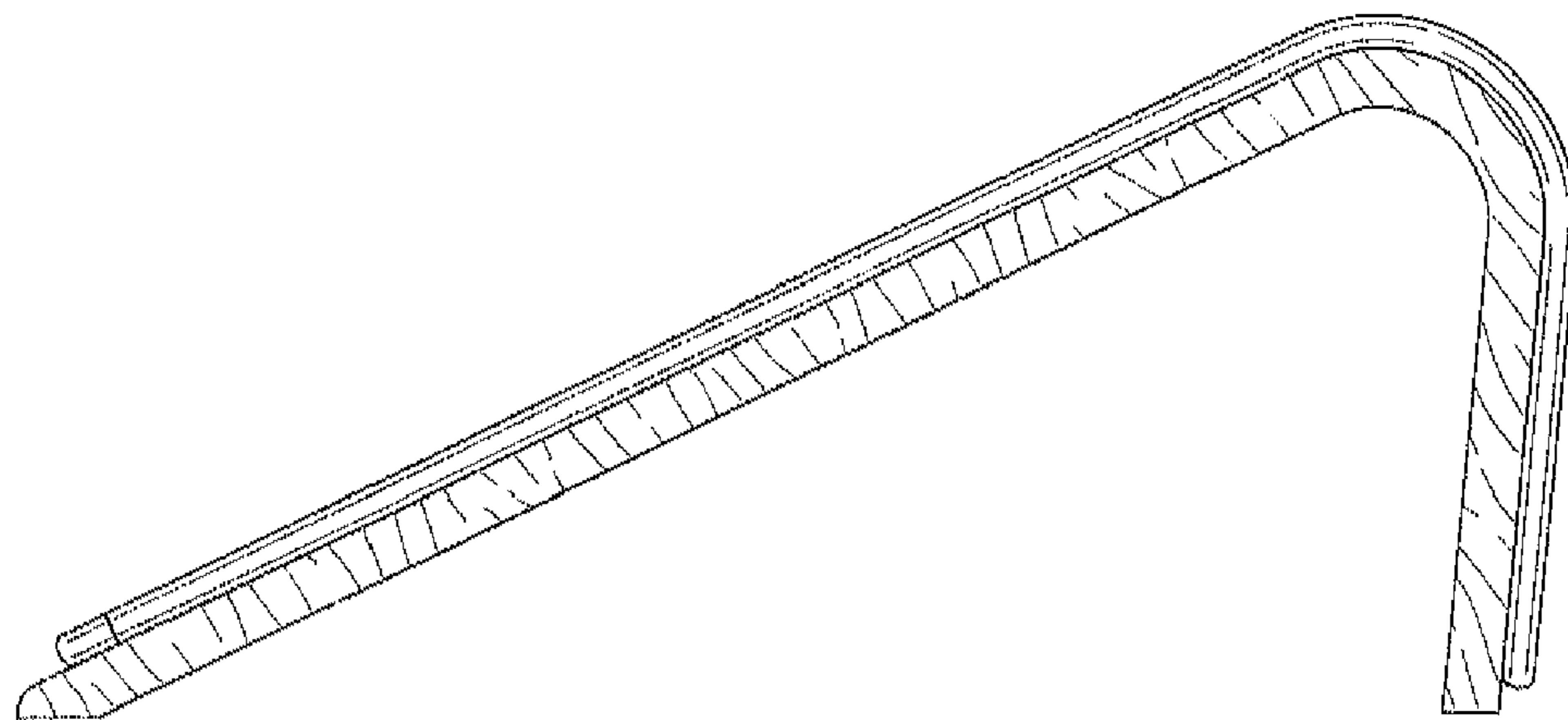


FIG. 3

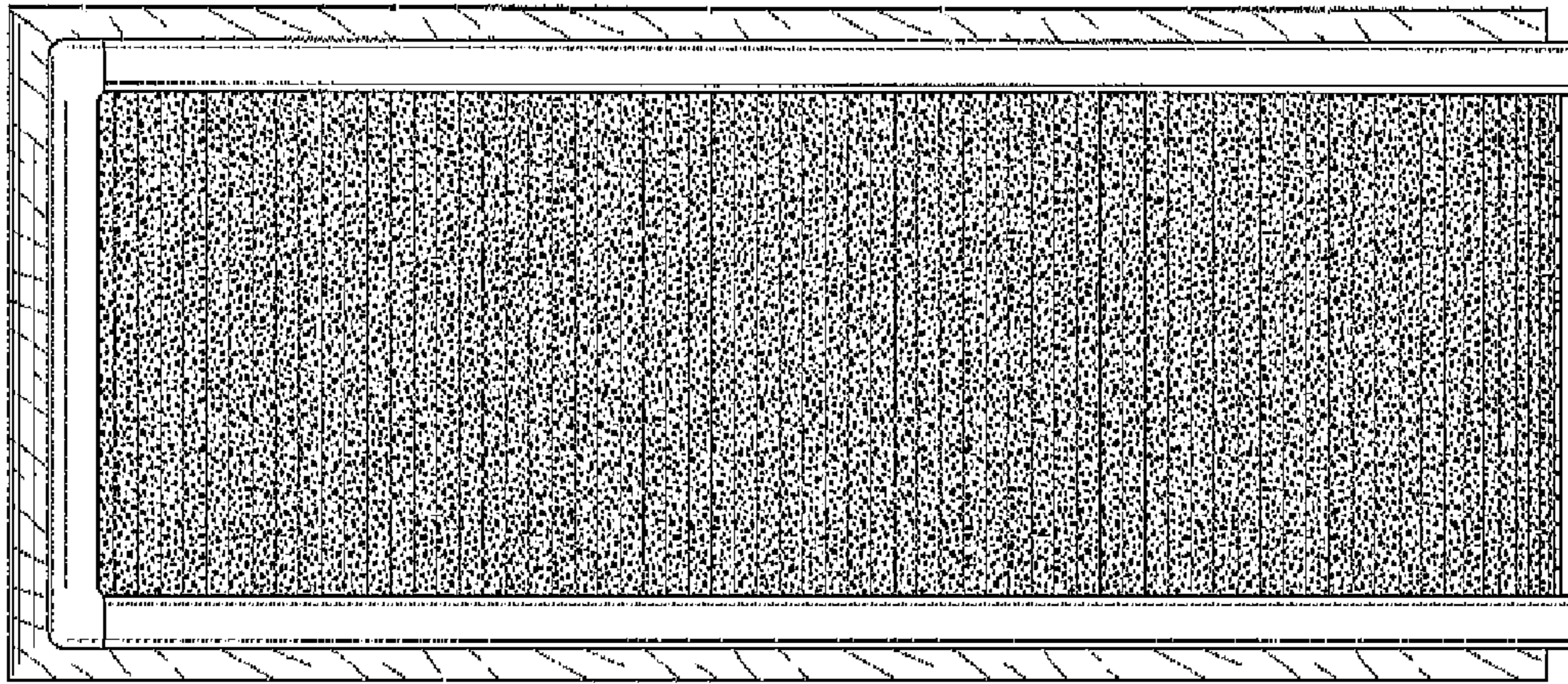


FIG. 4

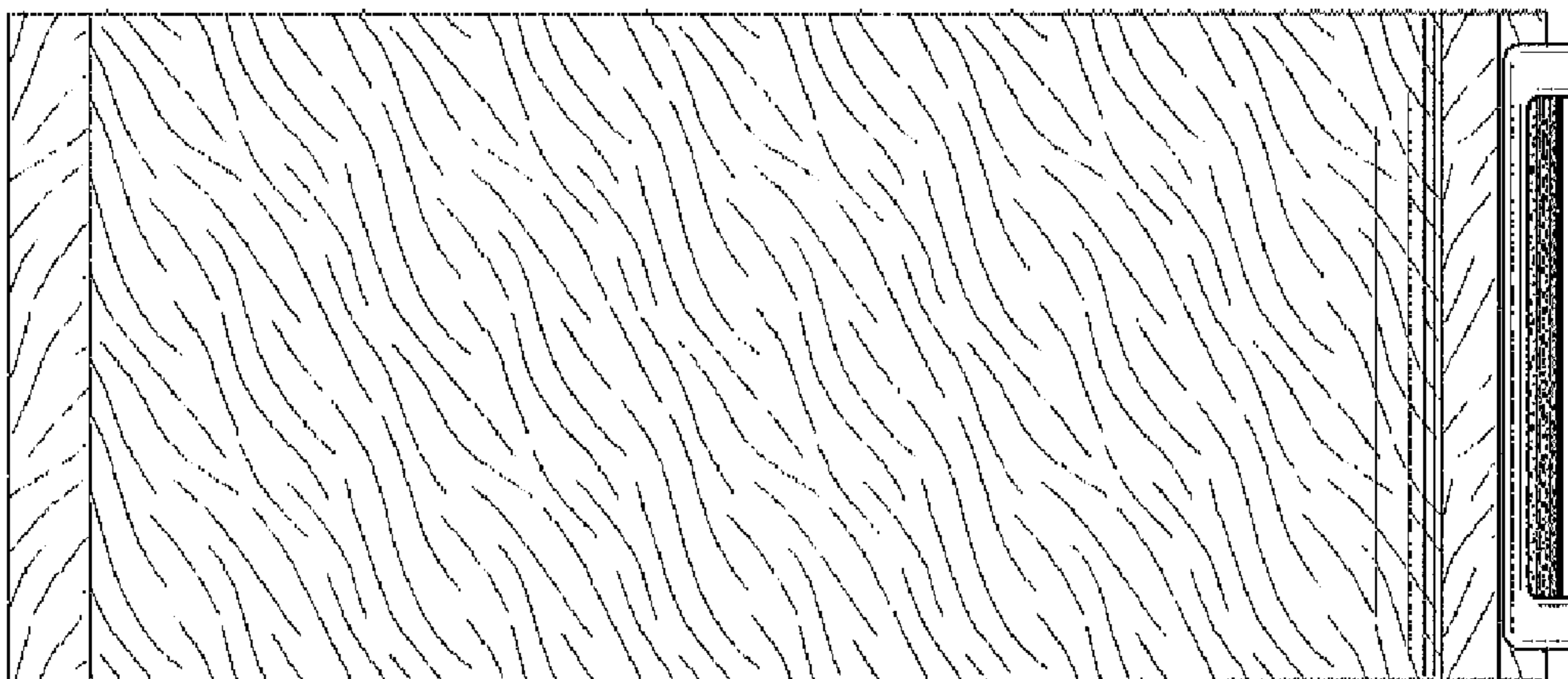


FIG. 5

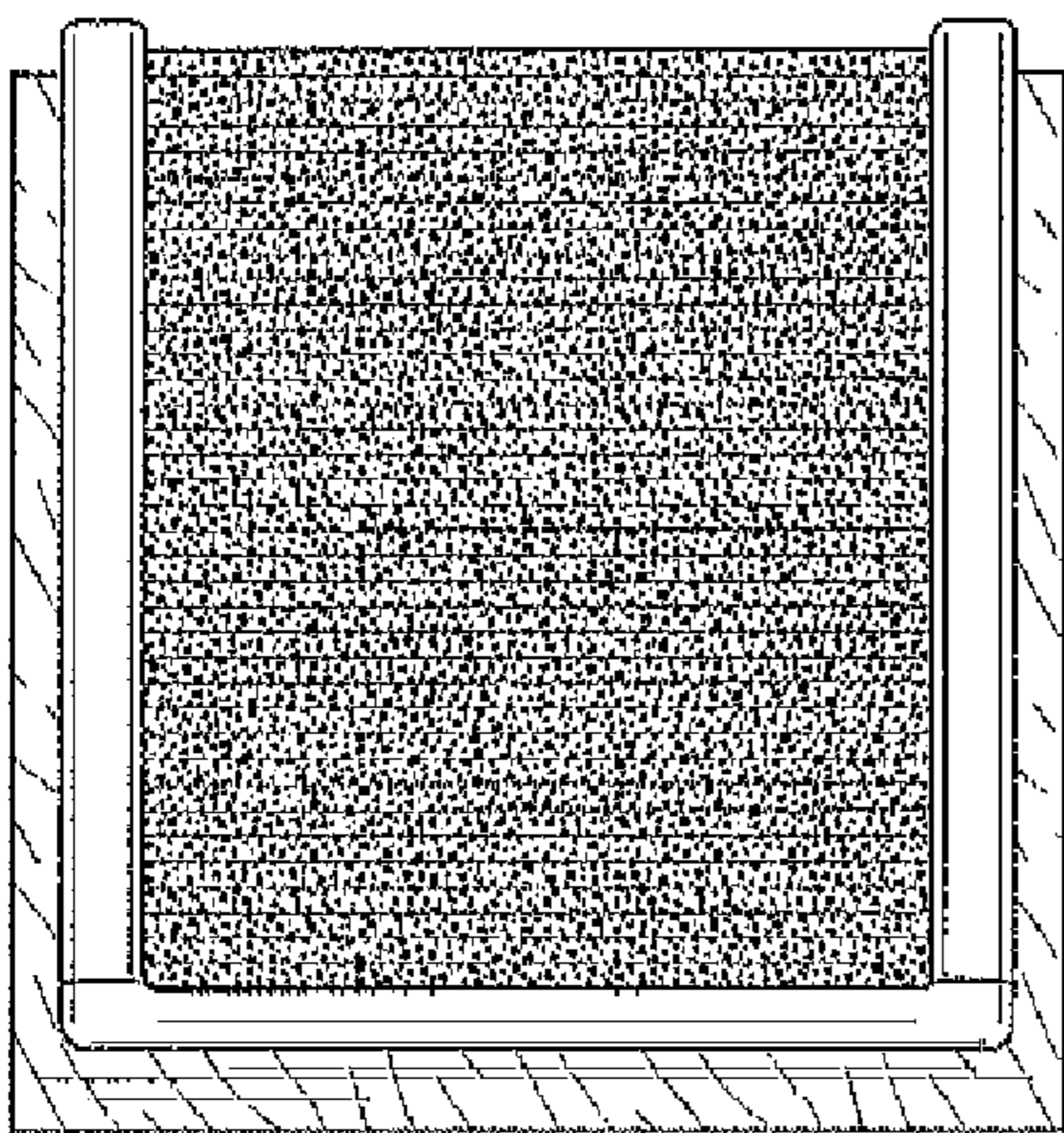


FIG. 6

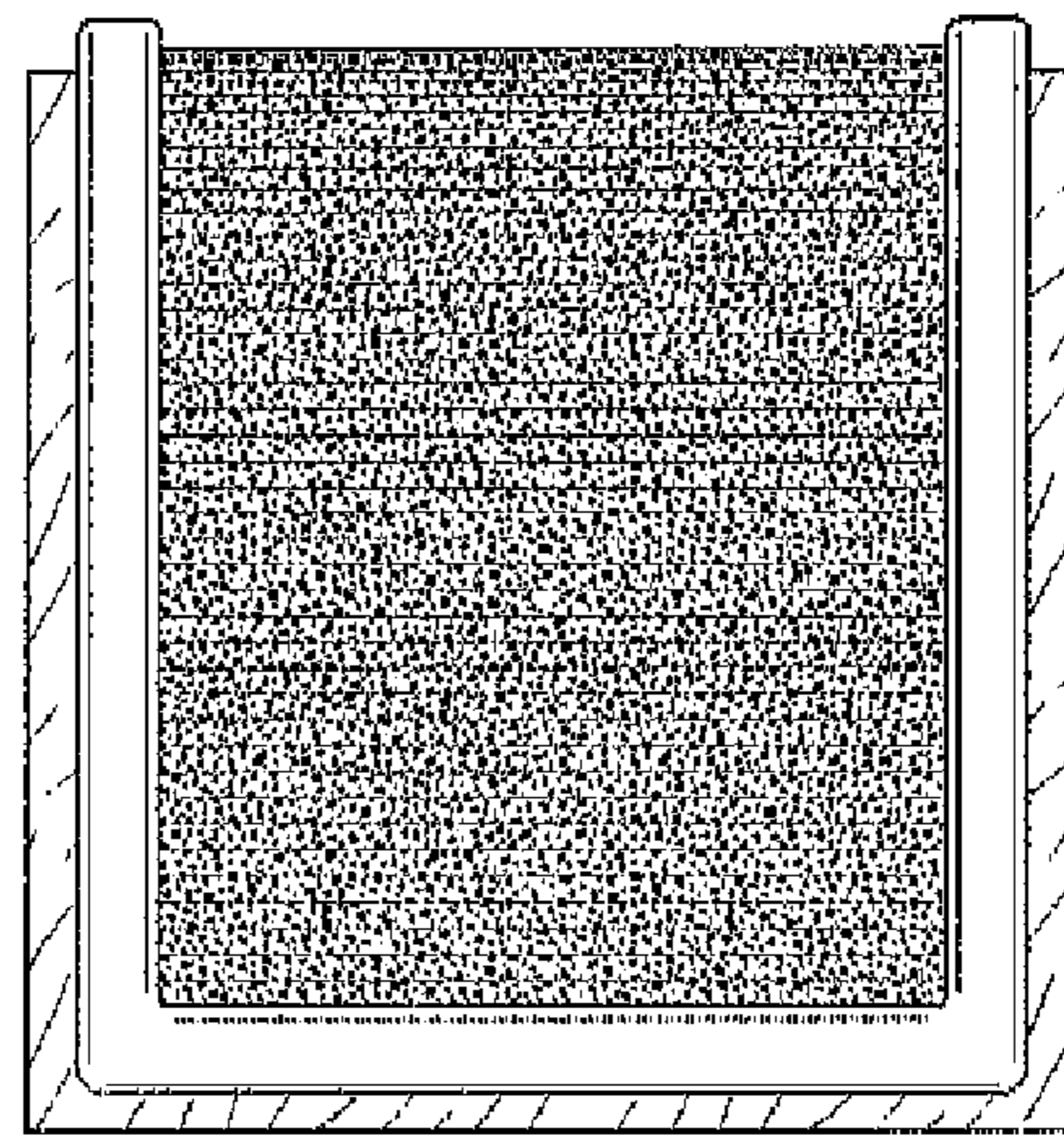


FIG. 7